



US00D925851S

(12) **United States Design Patent** (10) **Patent No.:** **US D925,851 S**
Groshans (45) **Date of Patent:** **** Jul. 20, 2021**

(54) **STRAP ASSEMBLY FOR A BUCKET**

D655,471 S * 3/2012 Schnatter D32/53
D673,749 S * 1/2013 Heiser, Jr. D32/53
D685,574 S * 7/2013 Swingler D3/245

(71) Applicant: **Robert Jordan**, Flower Mound, TX
(US)

(Continued)

(72) Inventor: **Thomas Lee Groshans**, Magnolia, TX
(US)

OTHER PUBLICATIONS

(73) Assignee: **Robert Jordan**, Flower Mound, TX
(US)

Bucket Shoulder Carrying Strap <https://www.amazon.com/Gallon-Bucket-Shoulder-Carrying-Strap/dp/B07F6P6C3F> (Year: 2018).*

(**) Term: **15 Years**

Primary Examiner — Michelle E. Wilson

Assistant Examiner — Richard E Yenchesky

(21) Appl. No.: **29/728,237**

(74) *Attorney, Agent, or Firm* — Grady K. Bergen; Griggs Bergen LLP

(22) Filed: **Mar. 17, 2020**

(57) **CLAIM**

(51) **LOC (13) Cl.** **07-05**

The ornamental design for a strap assembly for a bucket, as shown and described.

(52) **U.S. Cl.**

USPC **D32/53**; D32/54

(58) **Field of Classification Search**

DESCRIPTION

USPC D3/53, 232, 233, 243, 245, 246, 303;
D7/362; D11/200, 210, 215, 218;
D22/108; D24/190; D32/53

CPC A47J 43/281; A45C 15/00; A45C 11/24;
A45C 13/02; A45C 13/30; A63B 71/0036

See application file for complete search history.

FIG. 1 is a top perspective view of a strap assembly for a bucket, showing the strap assembly coupled to a bucket; FIG. 2 is a bottom perspective view of the strap assembly for a bucket of FIG. 1;

(56) **References Cited**

U.S. PATENT DOCUMENTS

D214,825 S * 8/1969 Czapar D11/210
4,116,310 A * 9/1978 Shields A45C 15/00
224/576
D372,795 S * 8/1996 Swinford D3/233
D406,945 S * 3/1999 Callihan D3/303
D510,660 S * 10/2005 Suppencig D3/246
D567,707 S * 4/2008 Yeates D11/200
D568,782 S * 5/2008 Yang D11/200
D568,785 S * 5/2008 Yang D11/200
D578,306 S * 10/2008 Hermann D3/232
D586,554 S * 2/2009 Baptiste D3/233
D631,630 S * 1/2011 Berti D32/53
D649,726 S * 11/2011 Manuel D32/53
D652,596 S * 1/2012 Manuel D32/53

FIG. 3 is a bottom plan view of the strap assembly for a bucket of FIG. 1; FIG. 4 is a top plan view of the strap assembly for a bucket of FIG. 1;

FIG. 5 is a front elevational view of the strap assembly for a bucket of FIG. 1;

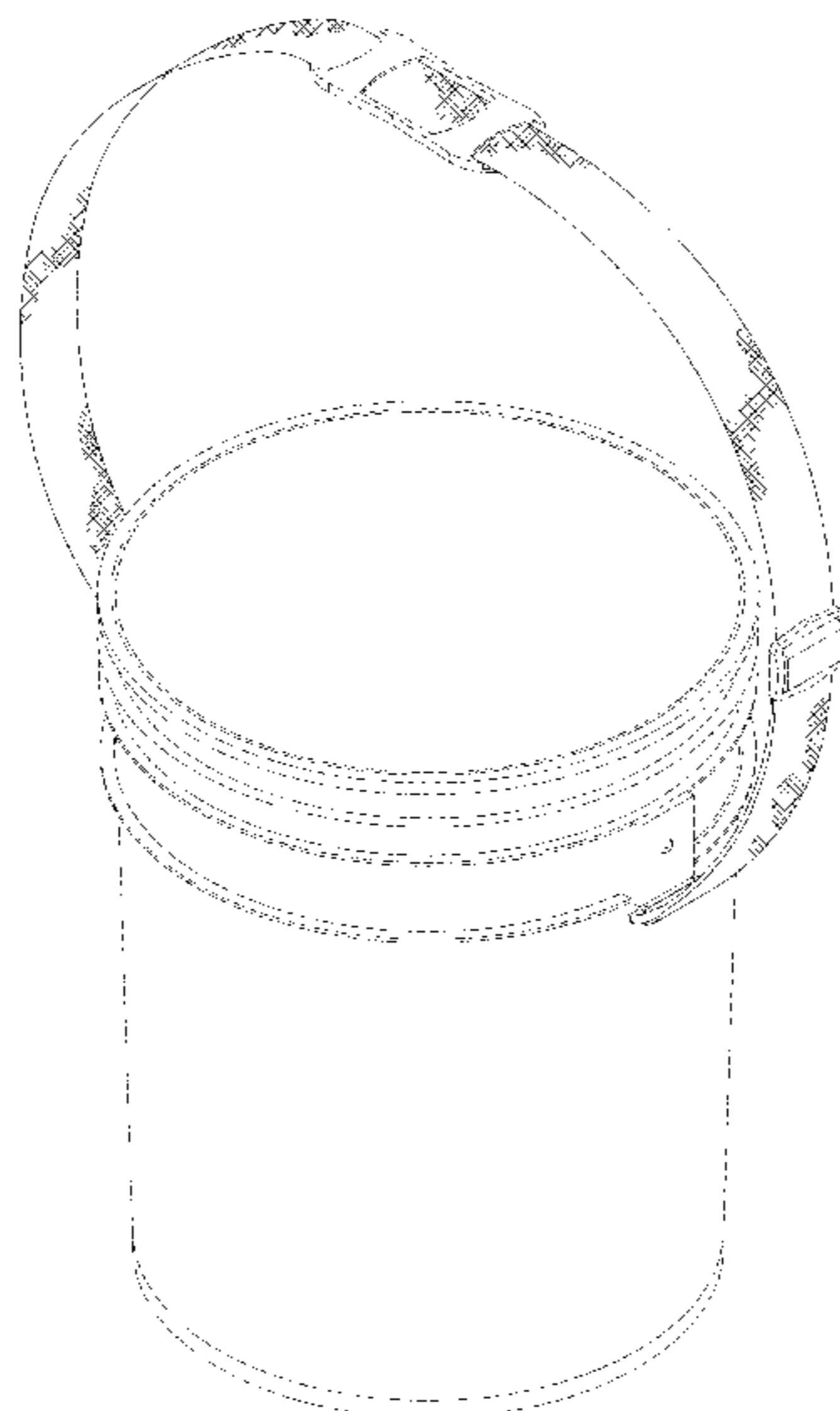
FIG. 6 is a rear elevational view of the strap assembly for a bucket of FIG. 1;

FIG. 7 is a right-side elevational view of the strap assembly for a bucket of FIG. 1; and,

FIG. 8 is a right-side elevational view of the strap assembly for a bucket of FIG. 1.

The broken away symbols in the drawings indicate that any portion of the article beyond what is shown forms no part of the claimed design.

1 Claim, 4 Drawing Sheets



(56)

References Cited

U.S. PATENT DOCUMENTS

D688,088 S * 8/2013 Lee D7/362
D712,107 S * 8/2014 Schnatter A47J 43/281
D32/53
D724,994 S * 3/2015 Paik D11/216
D759,927 S * 6/2016 Del Rosario Roy D32/53
D762,032 S * 7/2016 Holder D32/53
D765,394 S * 9/2016 Moore D3/233
D779,620 S * 2/2017 Huang D22/108
D802,298 S * 11/2017 Sassi D3/243
D813,483 S * 3/2018 Foss D32/53
D816,331 S * 5/2018 Gerbelle D3/246
D850,977 S * 6/2019 Ishii D11/218
D856,845 S * 8/2019 Ishii D11/218
D858,348 S * 9/2019 Ishii D11/218
D858,349 S * 9/2019 Ishii D11/218
D859,208 S * 9/2019 Ishii D11/218
D866,175 S * 11/2019 Vaccarello D3/245
D868,625 S * 12/2019 Paik D11/218
D872,993 S * 1/2020 Gu D3/246
D877,656 S * 3/2020 Chan D11/218
D880,350 S * 4/2020 Paik D11/215
D888,258 S * 6/2020 Boon D24/190
2016/0228756 A1 * 8/2016 Siscoe A63B 71/0036

* cited by examiner

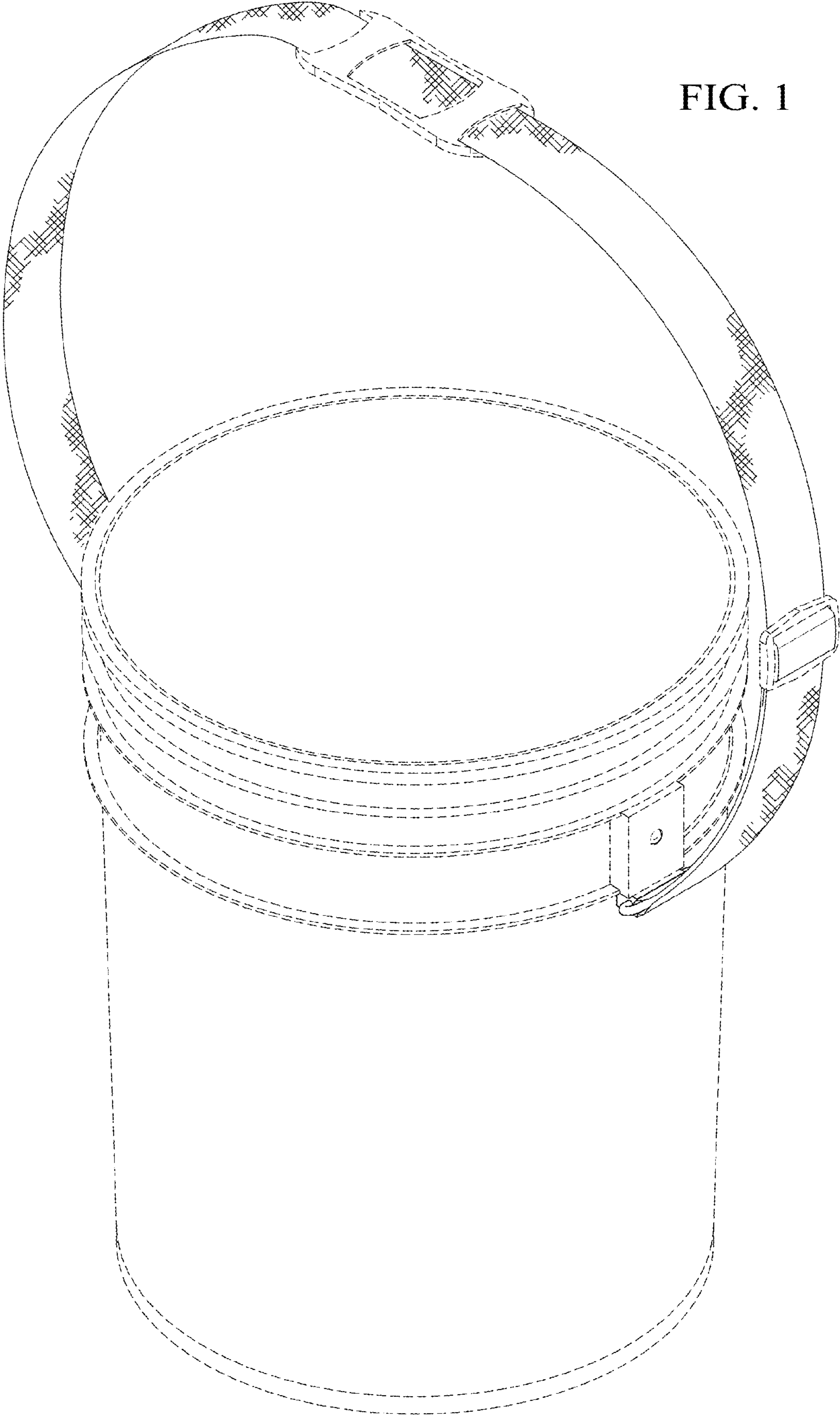


FIG. 1

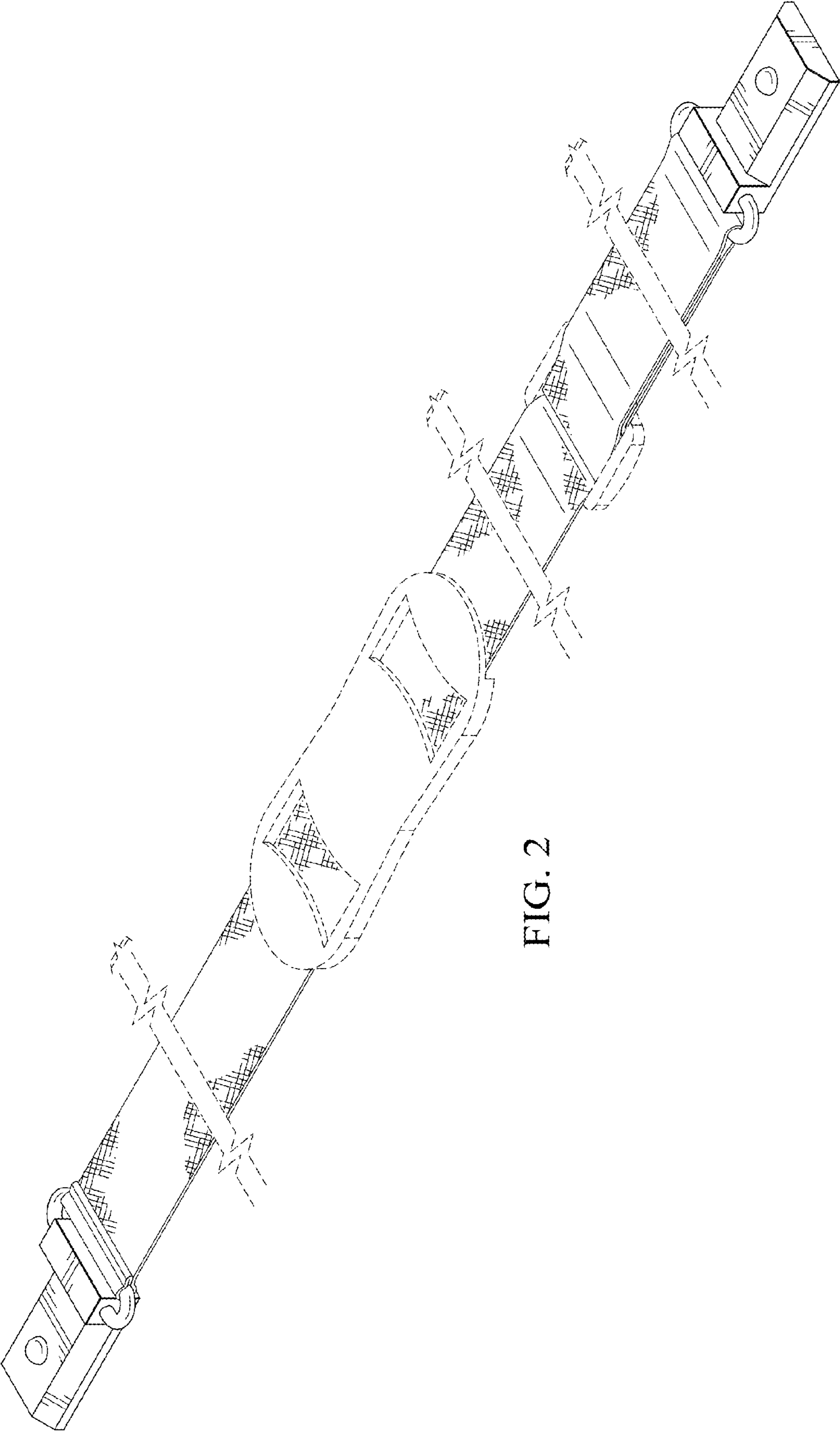


FIG. 2

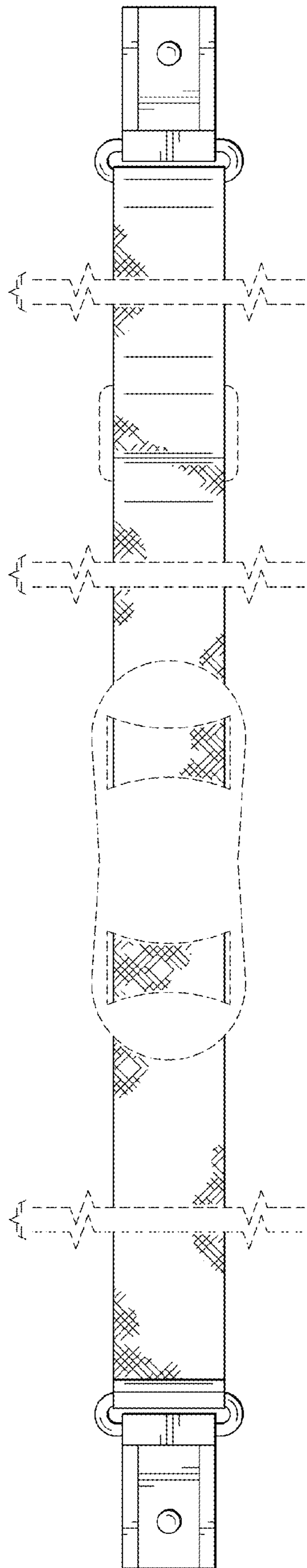


FIG. 3

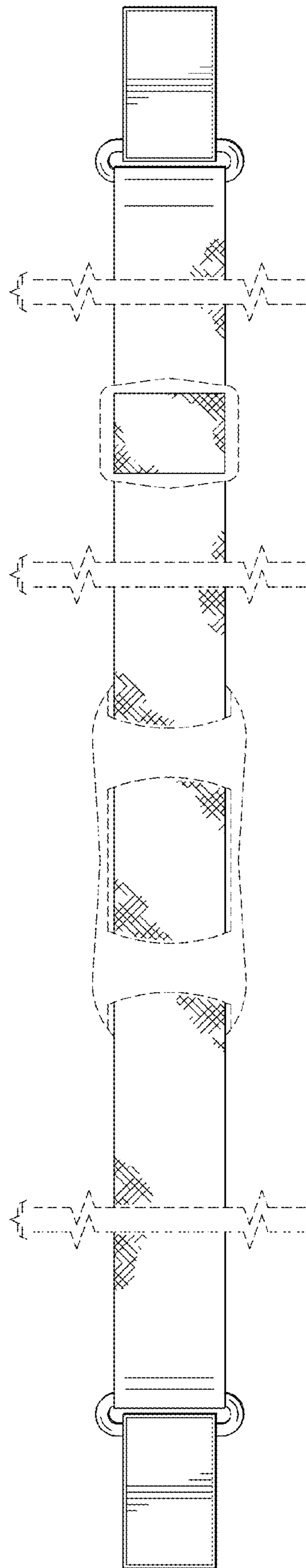


FIG. 4

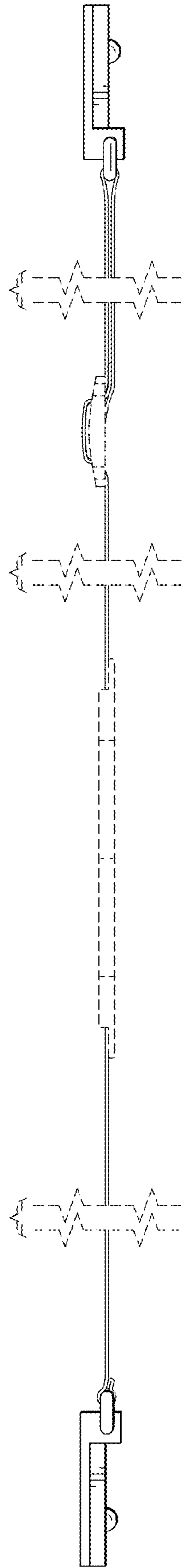


FIG. 5

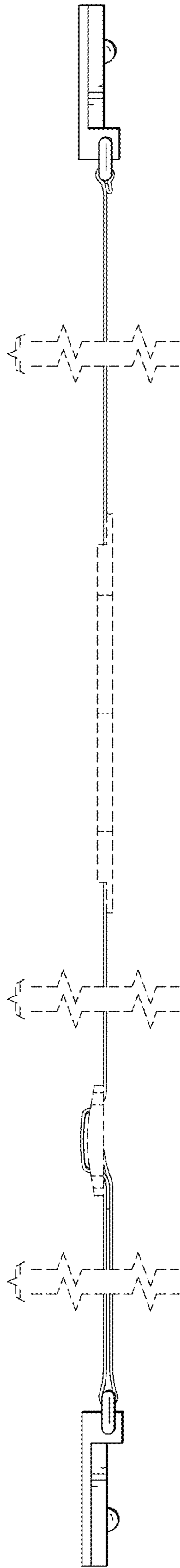


FIG. 6

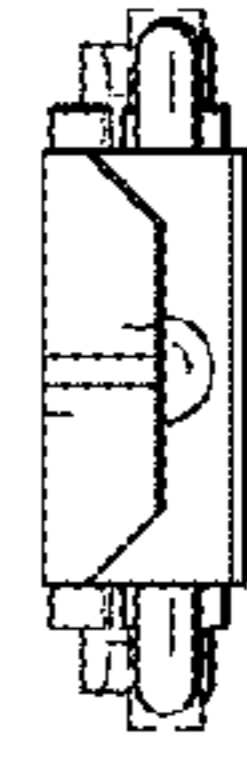


FIG. 8

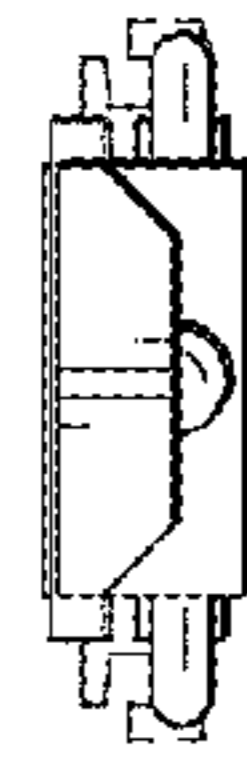


FIG. 7