



US00D925850S

(12) **United States Design Patent** (10) **Patent No.:** **US D925,850 S**  
**Tullney** (45) **Date of Patent:** **\*\* \*Jul. 20, 2021**

(54) **MOP OR BROOM HANDLE**  
(71) Applicant: **Carl Freudenberg KG**, Weinheim (DE)  
(72) Inventor: **Heiko Tullney**, Aumuehle (DE)  
(73) Assignee: **CARL FREUDENBERG KG**, Weinheim (DE)

D698,112	S	*	1/2014	Molinet	.....	D32/51
D789,637	S	*	6/2017	Dobson, III	.....	D32/51
D819,906	S	*	6/2018	Beyda	.....	D32/40
D822,299	S	*	7/2018	Fair	.....	D32/50
D875,339	S	*	2/2020	Tullney	.....	D32/51
D882,896	S	*	4/2020	Thompson	.....	D32/50
2002/0042962	A1	*	4/2002	Willman	.....	D06M 15/263 15/208

(\*) Notice: This patent is subject to a terminal disclaimer.  
(\*\*) Term: **15 Years**

FOREIGN PATENT DOCUMENTS

CN	305527343	*	1/2020
EM	002724443-0004	*	6/2015

(21) Appl. No.: **29/704,431**  
(22) Filed: **Sep. 5, 2019**

OTHER PUBLICATIONS

U.S. Appl. No. 29/704,434, filed Sep. 5, 2019.

(30) **Foreign Application Priority Data**  
Mar. 13, 2019 (EM) ..... 006306163  
(51) **LOC (13) Cl.** ..... **07-05**  
(52) **U.S. Cl.**  
USPC ..... **D32/50**  
(58) **Field of Classification Search**  
USPC ..... D32/40-44, 46, 49-52; D4/104, 134,  
D4/138; D30/158-159  
CPC ..... A47L 17/00; A47L 13/20; A47L 13/252;  
A47L 13/24; A46D 3/00; A46B 9/00;  
B08B 9/08; A61B 18/14  
See application file for complete search history.

\* cited by examiner  
*Primary Examiner* — John R Yeh  
(74) *Attorney, Agent, or Firm* — Leydig, Voit & Mayer, Ltd.

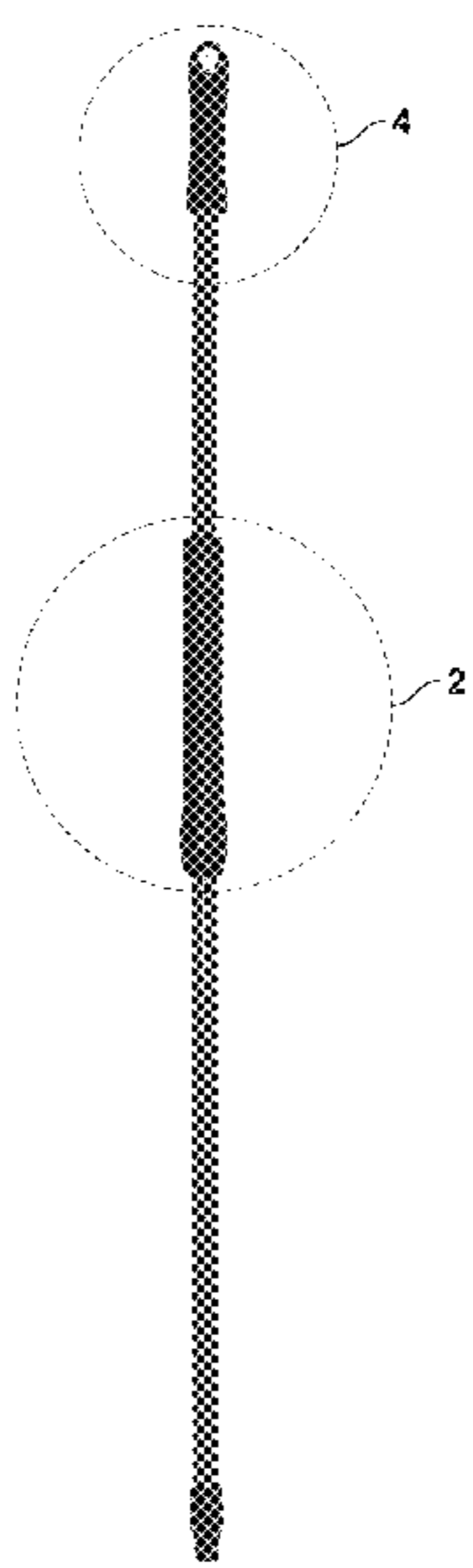
(56) **References Cited**  
U.S. PATENT DOCUMENTS  
D317,068 S \* 5/1991 Bosworth ..... D32/51  
D387,527 S \* 12/1997 Specht ..... D32/51  
D477,694 S \* 7/2003 Windham ..... D30/160  
D497,723 S \* 11/2004 Sickler ..... D4/121  
D530,050 S \* 10/2006 Bizzotto ..... D32/50  
D586,513 S \* 2/2009 PZW Pho ..... D32/50

(57) **CLAIM**  
The ornamental design for a mop or broom handle, as shown and described.

**DESCRIPTION**

FIG. 1 is a front view of a mop or broom handle showing my new design;  
FIG. 2 is an enlarged partial view of the indicated portion from FIG. 1 taken from a side thereof;  
FIG. 3 is an enlarged partial view of the indicated portion from FIG. 6;  
FIG. 4 is an enlarged partial front view of the indicated portion from FIG. 1;  
FIG. 5 is an enlarged side partial view of the indicated portion from FIG. 6; and,  
FIG. 6 is a side view thereof.

**1 Claim, 6 Drawing Sheets**



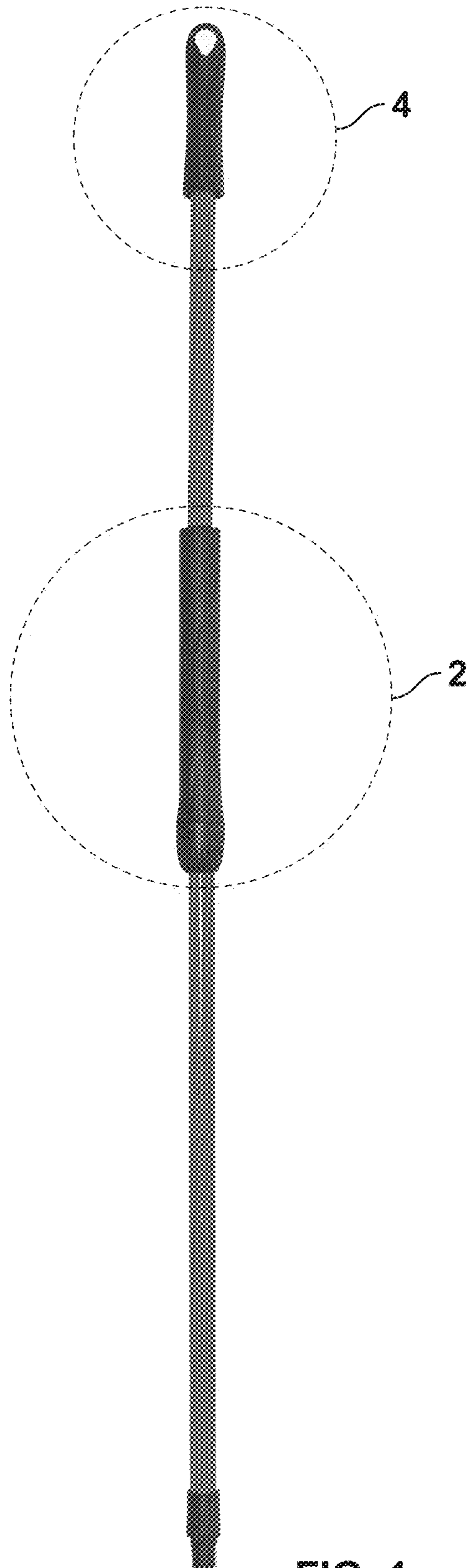


FIG. 1

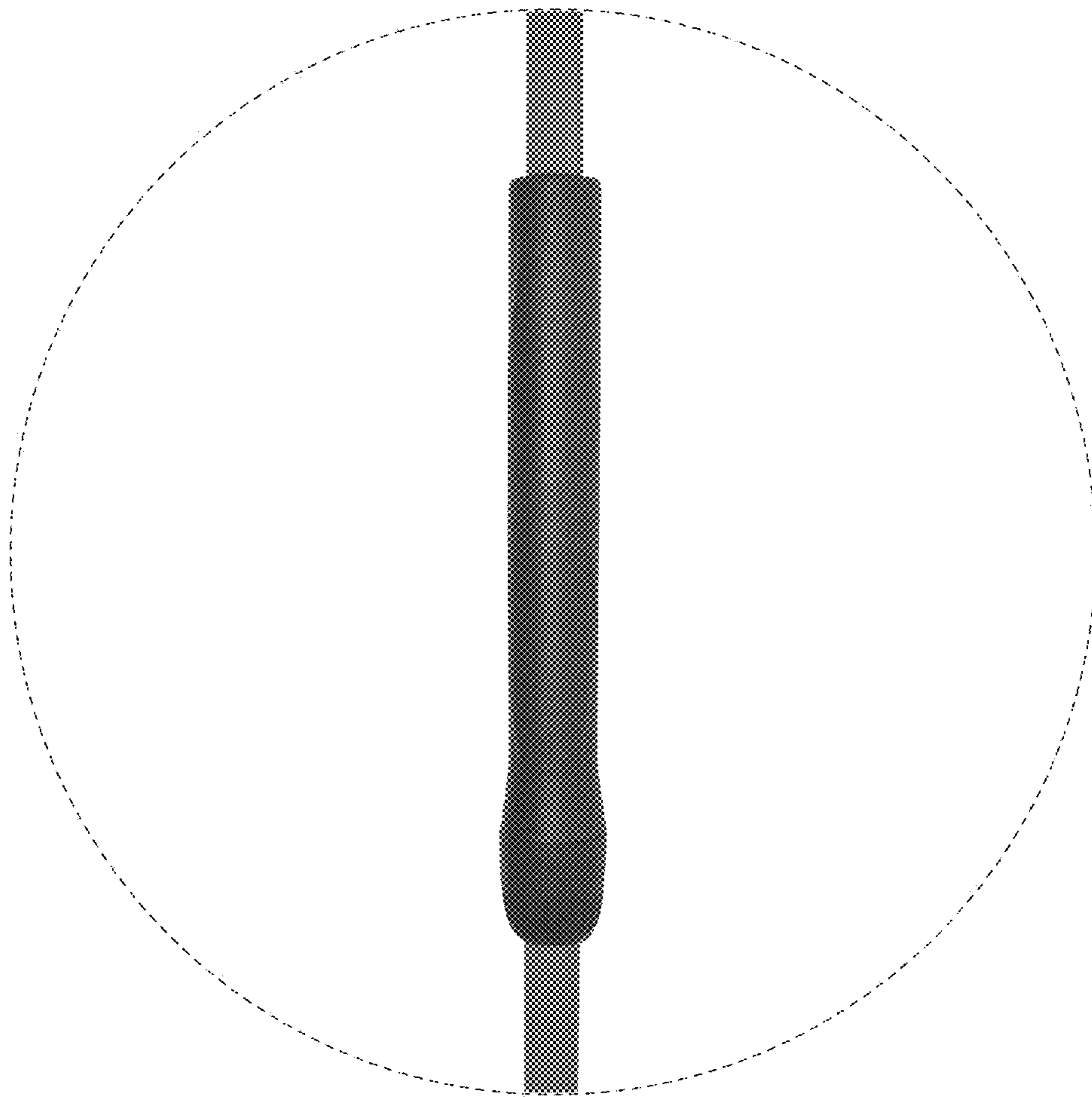


FIG. 2

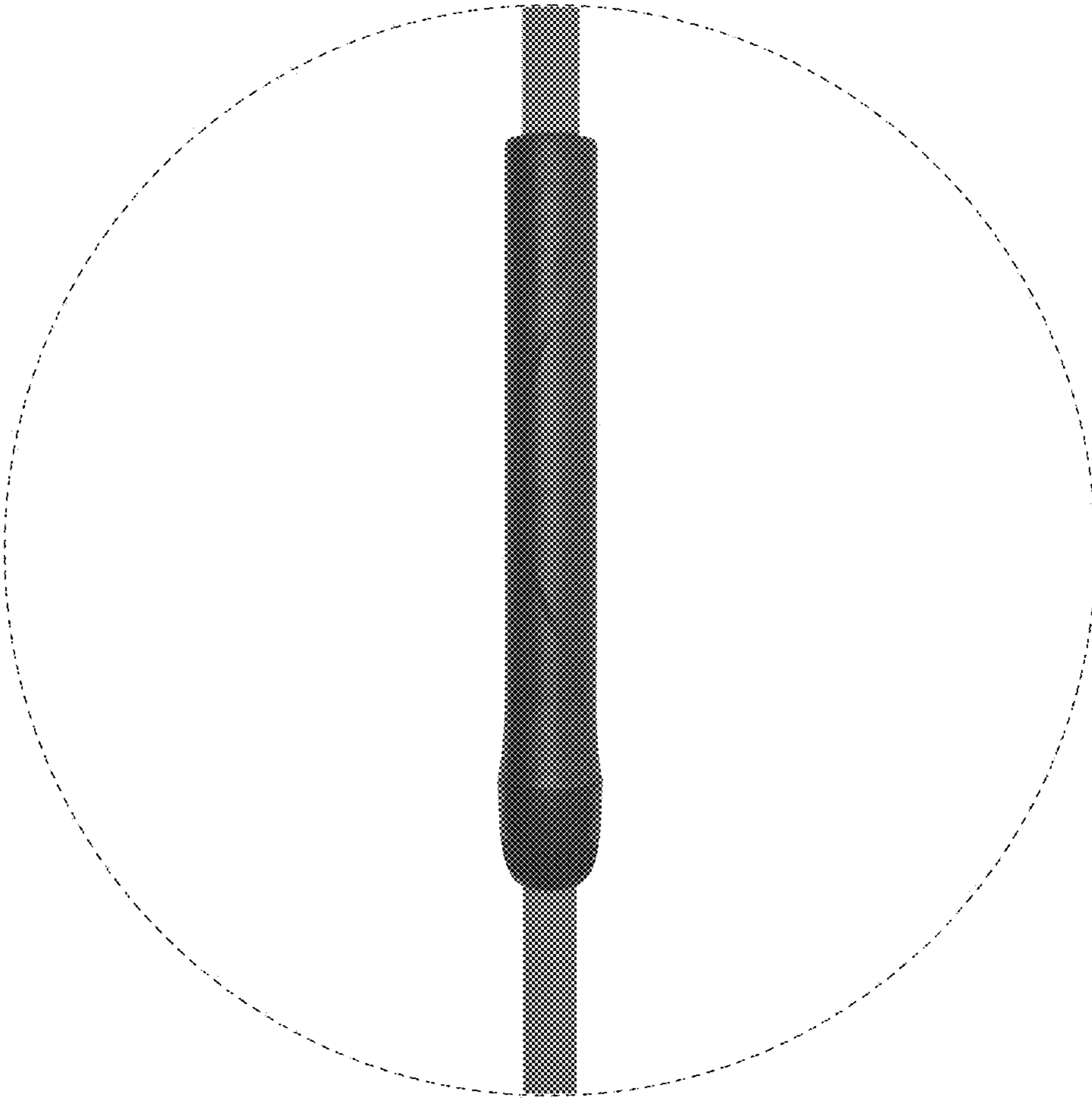


FIG. 3



FIG. 4

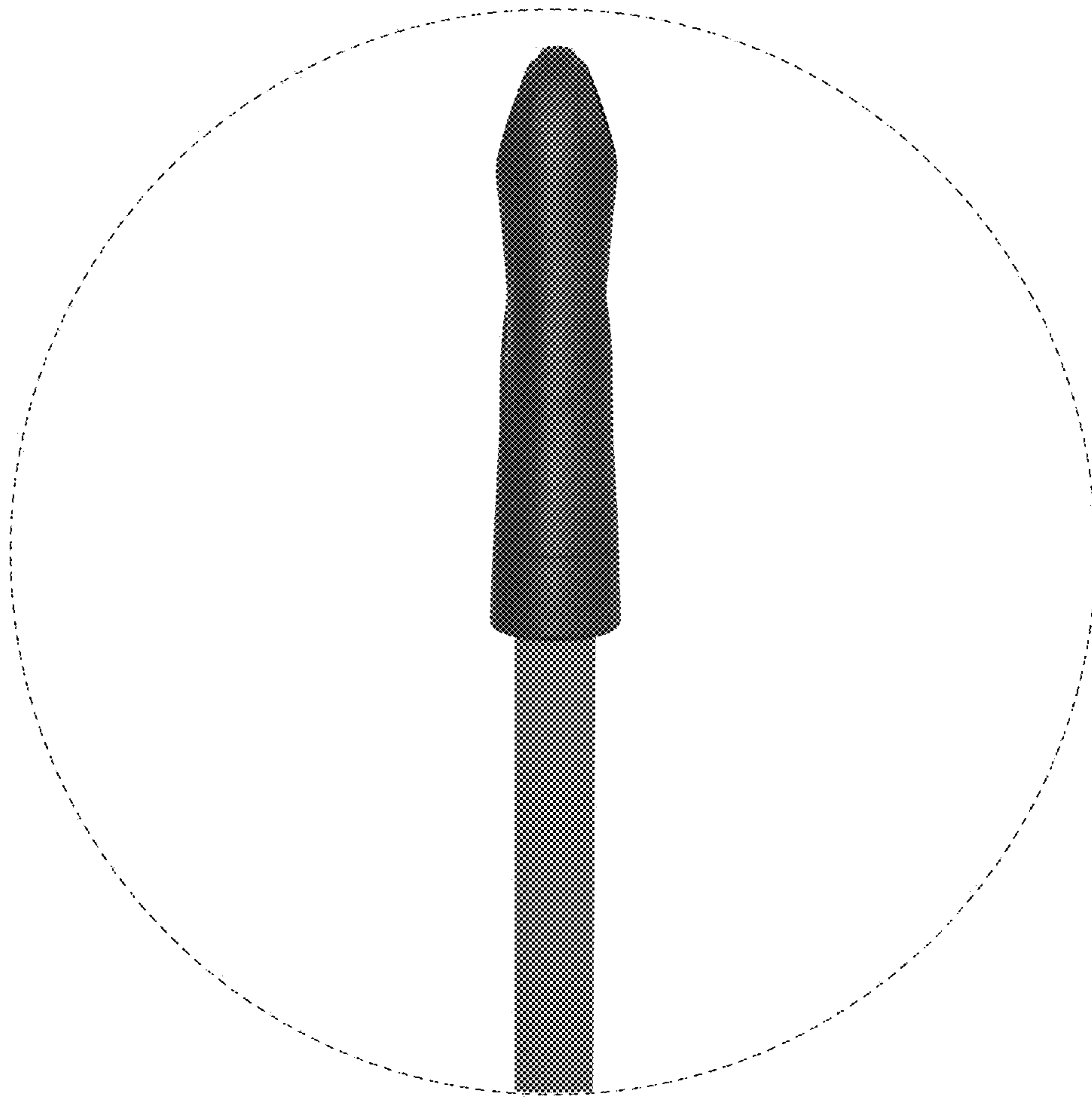


FIG. 5

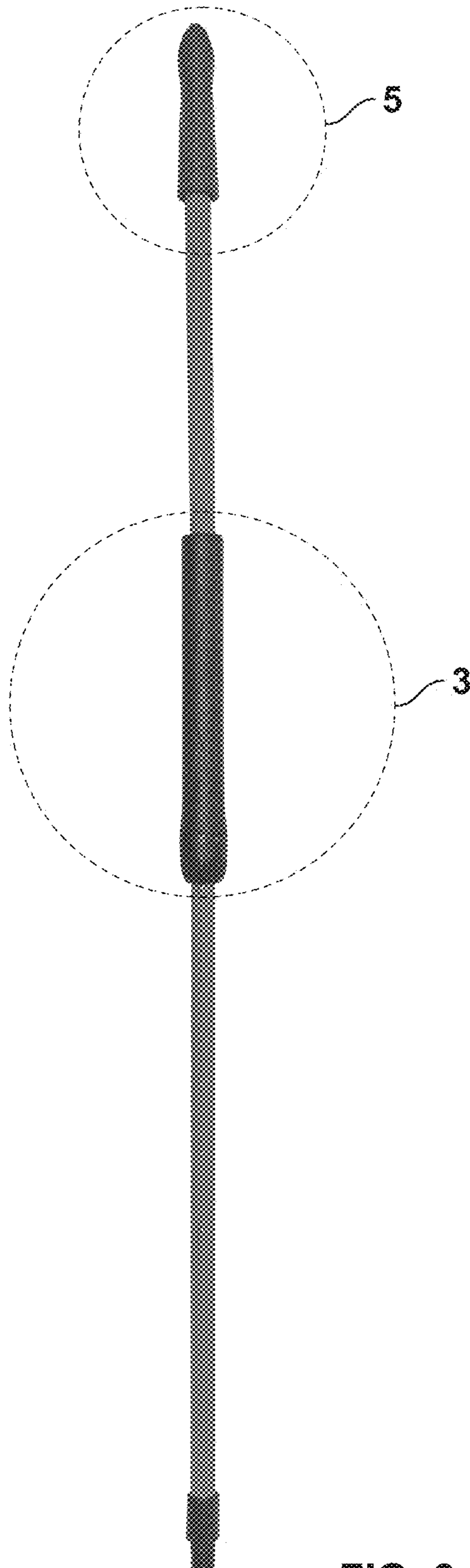


FIG. 6