



US00D925848S

(12) **United States Design Patent**  
**Johnson**

(10) **Patent No.:** **US D925,848 S**

(45) **Date of Patent:** **\*\* Jul. 20, 2021**

(54) **SURFACE CLEANING HEAD**

5,960,514 A 10/1999 Miller et al.  
D440,019 S \* 4/2001 Mehaffey ..... D32/32  
6,237,188 B1 5/2001 Takemoto et al.

(71) Applicant: **SharkNinja Operating, LLC,**  
Needham, MA (US)

(Continued)

(72) Inventor: **Owen R. Johnson,** Needham, MA (US)

**FOREIGN PATENT DOCUMENTS**

(73) Assignee: **SharkNinja Operating LLC,**  
Needham, MA (US)

DE 102010017211 A1 12/2011  
DE 102010017258 A1 12/2011

(Continued)

(\*\*) Term: **15 Years**

**OTHER PUBLICATIONS**

(21) Appl. No.: **29/658,928**

Shark APEX DuoClean AX951 Review (on-line), dated Dec. 9, 2019. Retrieved from Internet May 20, 2020, URL: <https://www.bestcordlessvacuumguide.com/shark-apex-duoclean-powered-lift-away-review/> (1 page) (Year: 2019).\*

(22) Filed: **Aug. 3, 2018**

(Continued)

**Related U.S. Application Data**

(63) Continuation of application No. 29/605,401, filed on May 25, 2017, now Pat. No. Des. 853,063.

(51) **LOC (13) Cl.** ..... **15-05**

(52) **U.S. Cl.**  
USPC ..... **D32/32**

(58) **Field of Classification Search**  
USPC ..... D32/31-34, 15-25, 29; 15/415.1  
CPC ..... A47L 9/02; A47L 9/04; A47L 9/06; A47L 9/0461; A47L 9/325; A47L 5/362; A47L 5/365; A47L 5/30; A47L 5/36; A47L 5/28; A47L 5/32; A47L 11/4044; A47L 11/302; A47L 9/00; A47L 9/0422; A47L 11/00; A47L 11/20; A47L 11/22; A47L 11/24; A47L 11/32; A47L 11/40; A47L 5/24; A47L 7/02; A47L 5/225; A47L 9/0018; A47L 9/0488

See application file for complete search history.

*Primary Examiner* — Kimberly Barnes

(74) *Attorney, Agent, or Firm* — Grossman Tucker Perreault & Pfleger, PLLC

(57) **CLAIM**

The ornamental design for a surface cleaning head, as shown and described.

**DESCRIPTION**

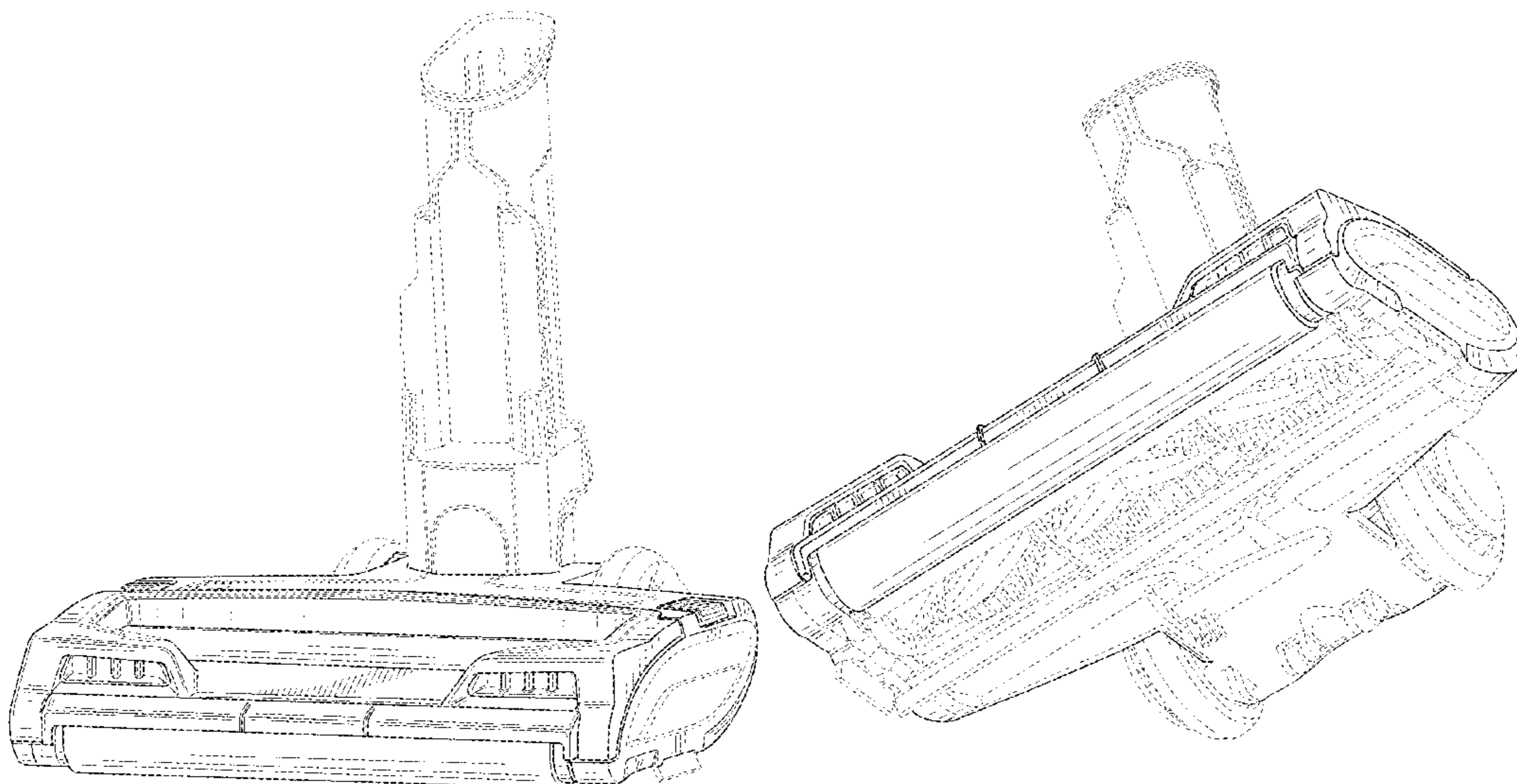
FIG. 1 is a perspective view of a surface cleaning head showing my new design;  
FIG. 2 is a front view thereof;  
FIG. 3 is a back view thereof;  
FIG. 4 is a left side view thereof;  
FIG. 5 is a right side view thereof;  
FIG. 6 is a top view thereof;  
FIG. 7 is a bottom view thereof; and,  
FIG. 8 is a bottom perspective view thereof.  
The broken lines are included for the purpose of illustrating portions of the surface cleaning head that form no part of the claim.

(56) **References Cited**

**U.S. PATENT DOCUMENTS**

4,138,762 A 2/1979 Jost et al.  
4,372,004 A 2/1983 Vermillion  
4,627,127 A 12/1986 Dupre  
D348,548 S 7/1994 Pino

**1 Claim, 8 Drawing Sheets**



(56)

References Cited

U.S. PATENT DOCUMENTS

D473,687 S 4/2003 Kaffenberger  
 D524,498 S 7/2006 Luebbering et al.  
 7,171,723 B2 2/2007 Kobayashi et al.  
 D549,906 S \* 8/2007 Rosenzweig ..... D32/38  
 7,328,479 B2 2/2008 Willenbring  
 D566,355 S \* 4/2008 Paredes ..... D32/32  
 D566,356 S 4/2008 Medema  
 D569,564 S 5/2008 Labarbera  
 D575,467 S \* 8/2008 Paredes ..... D32/32  
 D594,612 S \* 6/2009 Umeda ..... D32/32  
 D597,268 S 7/2009 Santiago et al.  
 D619,315 S \* 7/2010 Ayers ..... D32/32  
 D635,728 S 4/2011 Fjellman  
 7,979,952 B2 7/2011 Beskow et al.  
 D655,468 S \* 3/2012 Karsan ..... D32/33  
 D662,677 S \* 6/2012 Bilger ..... D32/22  
 D668,010 S 9/2012 Stickney et al.  
 D677,844 S \* 3/2013 Nicora ..... D32/22  
 8,402,600 B2 3/2013 Beskow et al.  
 D681,291 S 4/2013 Morgan et al.  
 D703,402 S \* 4/2014 Thorne ..... D32/32  
 8,745,818 B2 6/2014 Iles et al.  
 D720,104 S \* 12/2014 Santiago ..... D32/32  
 D728,180 S \* 4/2015 Thome ..... D32/33  
 9,027,198 B2 5/2015 Conrad  
 D731,130 S 6/2015 Dyson et al.  
 D731,134 S 6/2015 Dyson et al.  
 D731,136 S 6/2015 Yun et al.  
 D731,720 S 6/2015 Gidwell et al.  
 D731,724 S 6/2015 Cheon et al.  
 9,066,640 B2 6/2015 Iles et al.  
 D738,583 S \* 9/2015 Gidwell ..... D32/25  
 D738,584 S 9/2015 Niedzwecki  
 9,144,356 B2 9/2015 Yun  
 D741,558 S 10/2015 Kerr  
 D742,083 S 10/2015 Gidwell et al.  
 D743,123 S 11/2015 Chu  
 D745,231 S 12/2015 Niedzwecki  
 D747,571 S 1/2016 Dyson  
 D747,572 S 1/2016 Kerr  
 9,314,140 B2 4/2016 Eriksson  
 D761,507 S 7/2016 Heck et al.  
 D762,031 S \* 7/2016 Niedzwecki ..... D32/32  
 9,451,853 B2 9/2016 Conrad et al.  
 D769,557 S \* 10/2016 Johnson ..... D32/22  
 D770,109 S \* 10/2016 Chu, Jr. .... D32/32  
 D770,111 S 10/2016 Lee et al.  
 9,468,346 B1 10/2016 Rzepka  
 D771,890 S 11/2016 Kim  
 D772,512 S 11/2016 Yoon et al.  
 D773,139 S \* 11/2016 Palladino ..... D32/32  
 D774,260 S 12/2016 Manning  
 D774,264 S 12/2016 Bartram et al.  
 D779,751 S 2/2017 Chu  
 D779,752 S \* 2/2017 Johnson ..... D32/32  
 D781,014 S 3/2017 Wu et al.  
 D781,514 S \* 3/2017 Perin ..... D32/32  
 D788,393 S \* 5/2017 Canas ..... D32/32  
 D789,007 S \* 6/2017 Jang ..... D32/32  
 D790,785 S 6/2017 Courtney et al.  
 D792,665 S 7/2017 Salagnac  
 D796,134 S 8/2017 Labarbera  
 D796,136 S \* 8/2017 Reynolds ..... D32/33  
 D820,541 S \* 6/2018 Haverkamp ..... D32/32  
 D823,567 S \* 7/2018 Bond ..... D32/33  
 D846,821 S \* 4/2019 Palladino ..... D32/32  
 D853,063 S \* 7/2019 Johnson ..... D32/33  
 D855,269 S \* 7/2019 Palladino ..... D32/32  
 D870,406 S \* 12/2019 Niedzwecki ..... D32/33  
 D871,000 S \* 12/2019 Johnson ..... D32/32  
 D905,918 S \* 12/2020 Pearce ..... D32/32  
 2002/0124334 A1 9/2002 Worwag  
 2005/0172447 A1 8/2005 Roney et al.  
 2006/0191097 A1 8/2006 Baumhake

2009/0229075 A1 9/2009 Eriksson  
 2010/0107359 A1 5/2010 Yoo  
 2011/0219571 A1 9/2011 Dyson et al.  
 2012/0311813 A1 12/2012 Gilbert, Jr. et al.  
 2013/0139349 A1 6/2013 Iles et al.  
 2014/0060577 A1 3/2014 Bruders et al.  
 2014/0150202 A1 6/2014 Schultheis  
 2014/0196247 A1 7/2014 Kasper et al.  
 2014/0237760 A1 8/2014 Conrad  
 2015/0033498 A1 2/2015 McVey  
 2015/0289735 A1 10/2015 Van Der Kooi et al.  
 2015/0359396 A1 12/2015 Yun  
 2016/0058257 A1 3/2016 Ventress et al.  
 2016/0345795 A1 12/2016 Manning  
 2019/0191947 A1 \* 6/2019 Freese ..... A47L 9/0488  
 2019/0193120 A1 \* 6/2019 Brown ..... A47L 5/30  
 2019/0357740 A1 \* 11/2019 Thorne ..... A47L 5/28  
 2020/0046184 A1 \* 2/2020 Freese ..... A47L 9/06

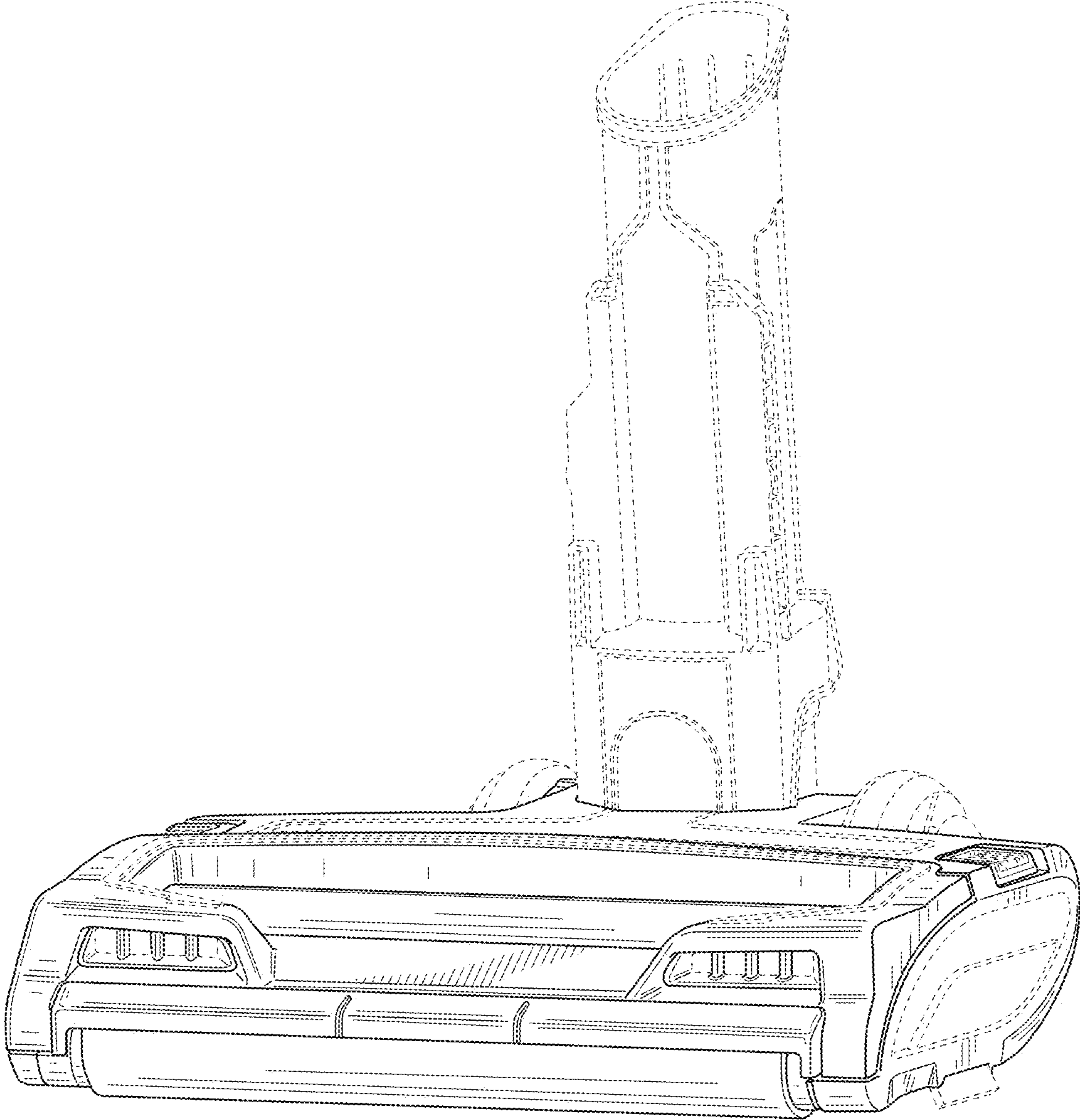
FOREIGN PATENT DOCUMENTS

EP 1994869 11/2008  
 EP 2218385 A3 3/2013  
 EP 2543301 9/2013  
 GB 2109224 6/1983  
 GB 2476811 7/2011  
 GB 2529819 9/2016  
 JP 03228721 A 10/1991  
 JP 05228083 A 9/1993  
 JP 2639155 B2 8/1997  
 JP H11187997 A 7/1999  
 JP 2001120473 A 5/2001  
 JP 2003339589 A 12/2003  
 JP 2004222912 A 8/2004  
 JP 2006247229 A 9/2006  
 JP 2006312066 A 11/2006  
 KR 100593324 B1 6/2006  
 WO 9210967 A1 7/1992  
 WO 2009117383 9/2009  
 WO 2011083294 A1 7/2011  
 WO 2014177216 11/2014  
 WO 2015015166 2/2015  
 WO 2015015167 2/2015  
 WO 2016034848 3/2016

OTHER PUBLICATIONS

Shark APEX Vacuum Review (on-line), dated Dec. 16, 2017. Retrieved from Internet May 20, 2020, URL: <https://vacuum-cleaner-advisor.com/Shark-Vacuums/shark-APEX-duoclean-vacuum-review.html> (5 pages) (Year: 2017).  
 English translation of Korean Office Action dated May 31, 2019, received in Korean Application No. 10-2018-7014186, 8 pgs.  
 Extended European Search Report dated Mar. 28, 2019, received in EP Application No. 16858305.2, 7 pgs.  
 English translation of Japanese Office Action dated May 21, 2019, received in Japanese Application No. 2018-520541, 11 pgs.  
 English translation of Korean Office Action dated Apr. 30, 2019, received in Korean Application No. 10-2018-7014180, 11 pgs.  
 U.S. Office Action dated May 3, 2019, received in U.S. Appl. No. 15/331,045, 9 pgs.  
 Extended European Search Report dated Apr. 3, 2019, received in EP Application No. 16858308.6, 7 pgs.  
 English translation of Japanese Office Action dated Apr. 1, 2019, received in Japanese Application No. 2017-557189, 6 pgs.  
 U.S. Office Action dated May 15, 2019, received in U.S. Appl. No. 15/492,320, 13 pgs.  
 International Search Report and Written Opinion dated Mar. 17, 2017 in corresponding PCT Patent Application No. PCT/US 16/58155, 12 pgs.  
 International Search Report and Written Opinion dated Mar. 24, 2017 in corresponding PCT Patent Application No. PCT/US 16/58148, 14 pgs.

\* cited by examiner



**FIG. 1**

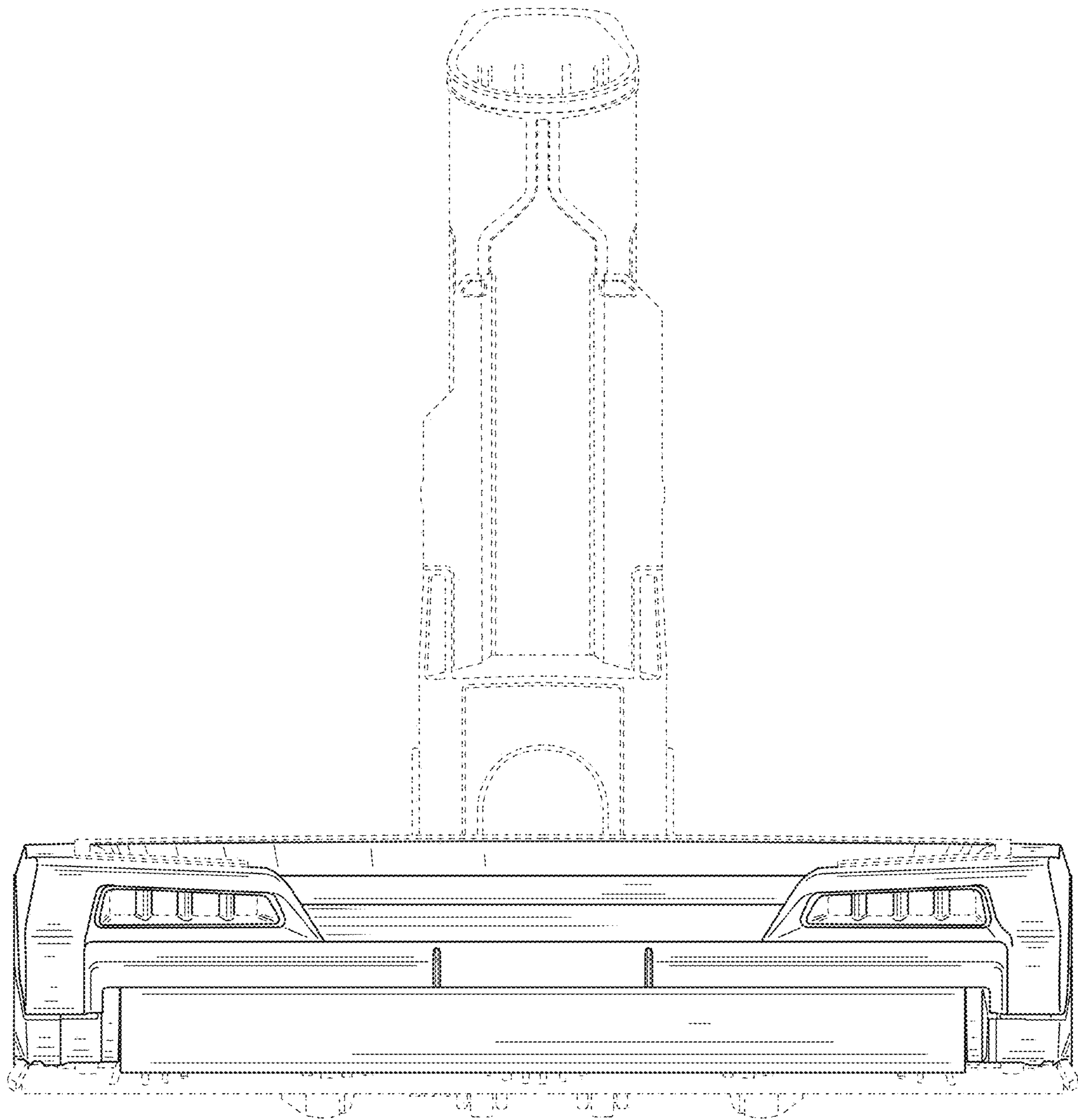


FIG. 2

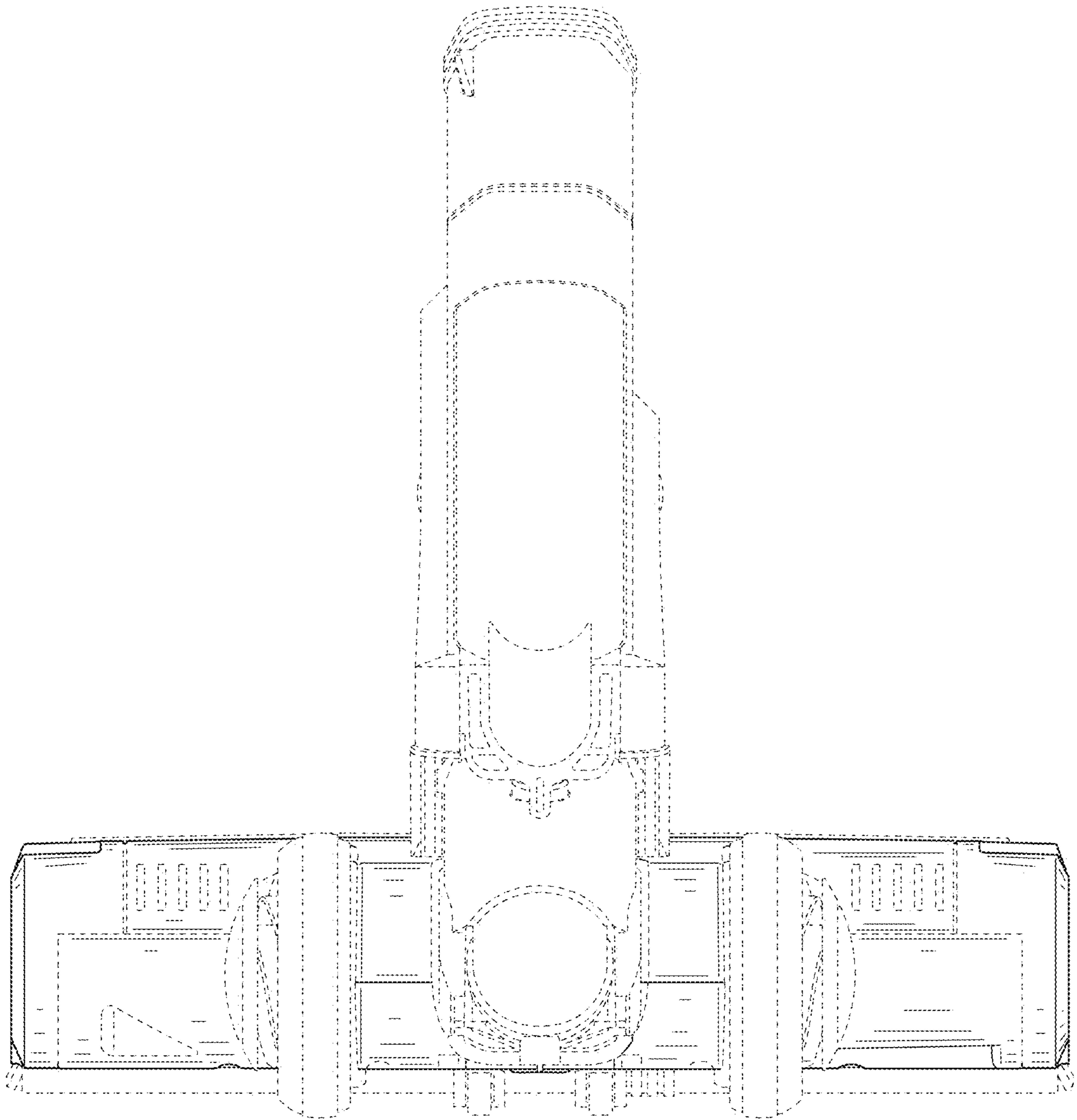


FIG. 3

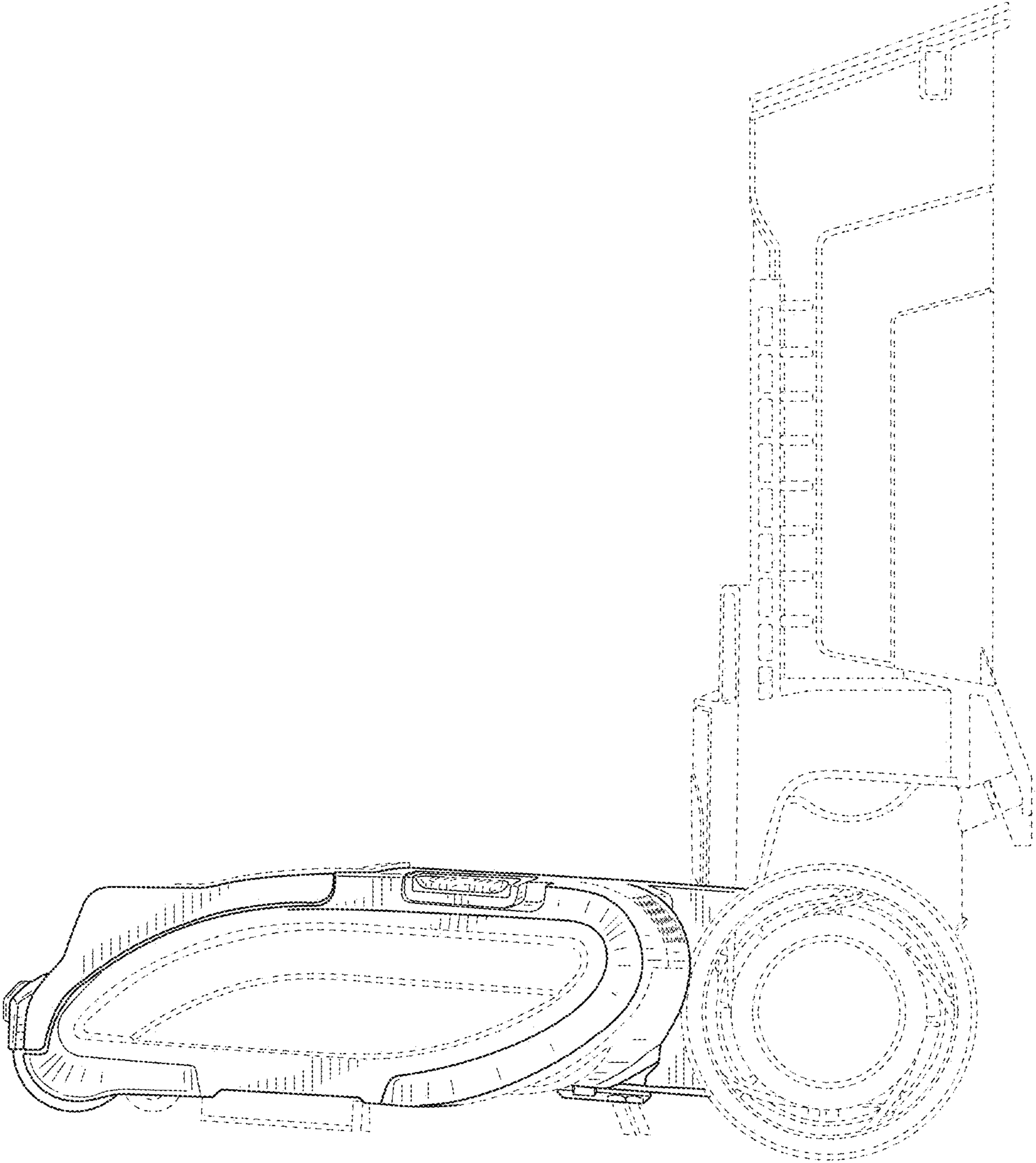


FIG. 4

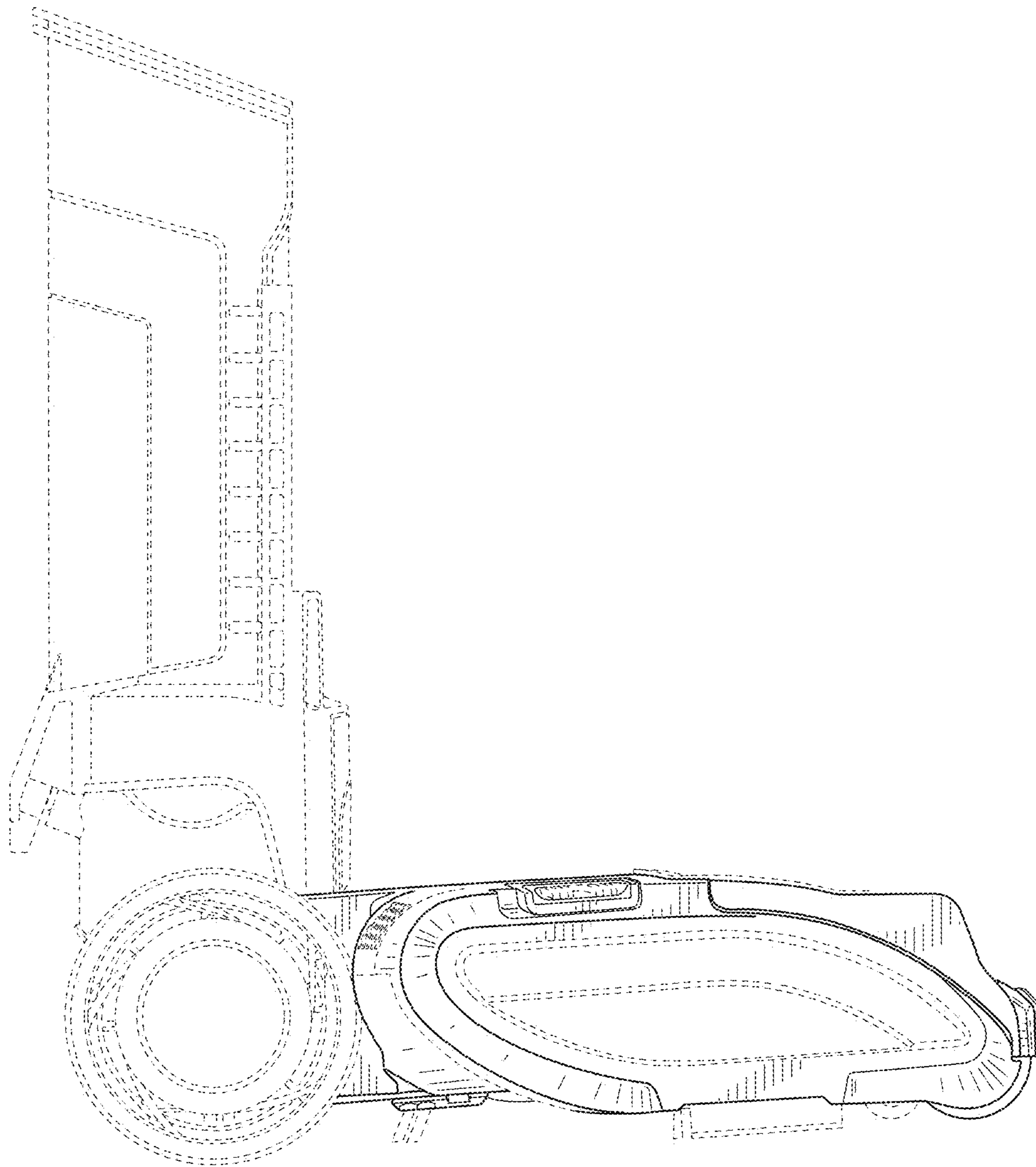


FIG. 5

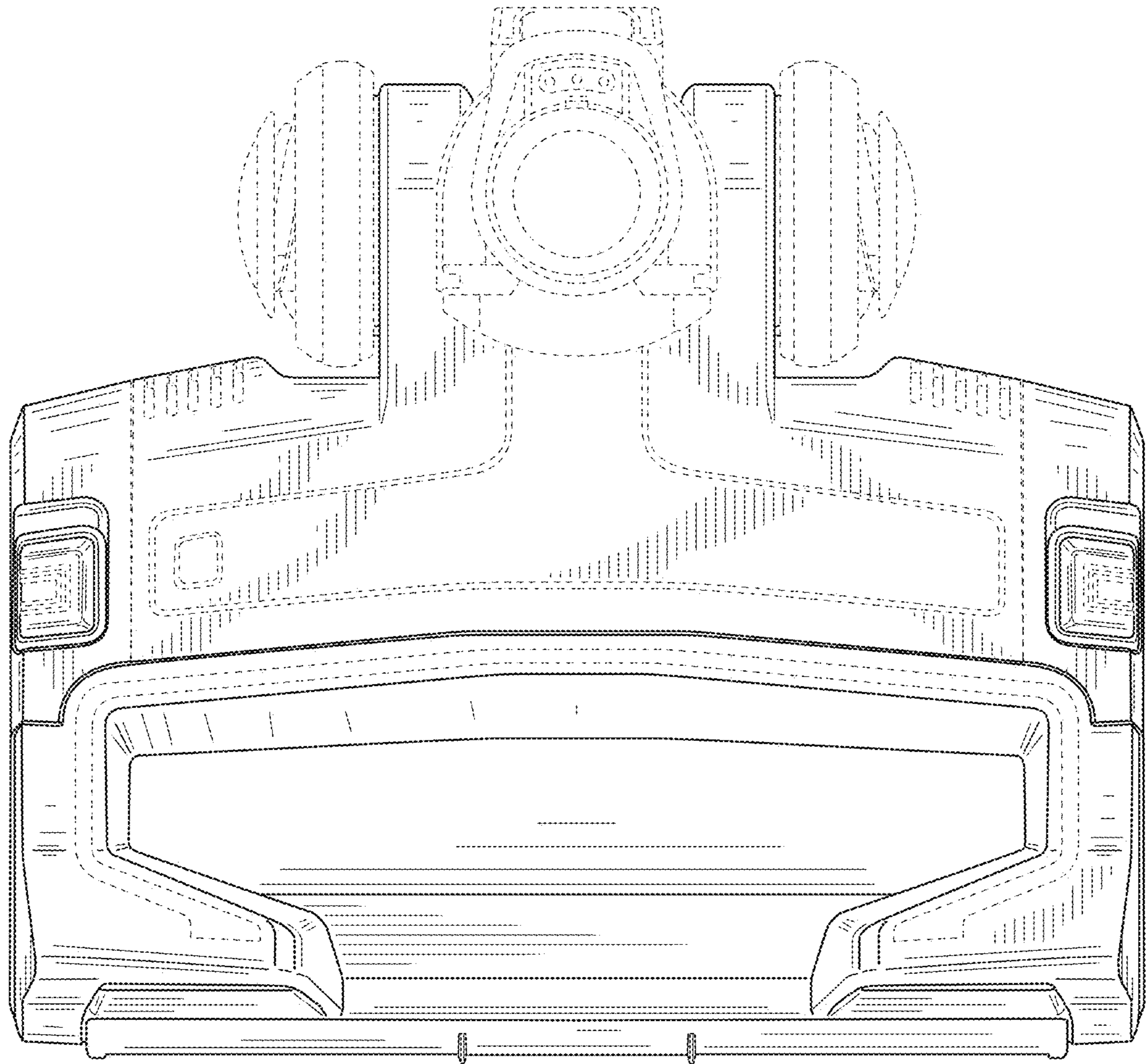


FIG. 6



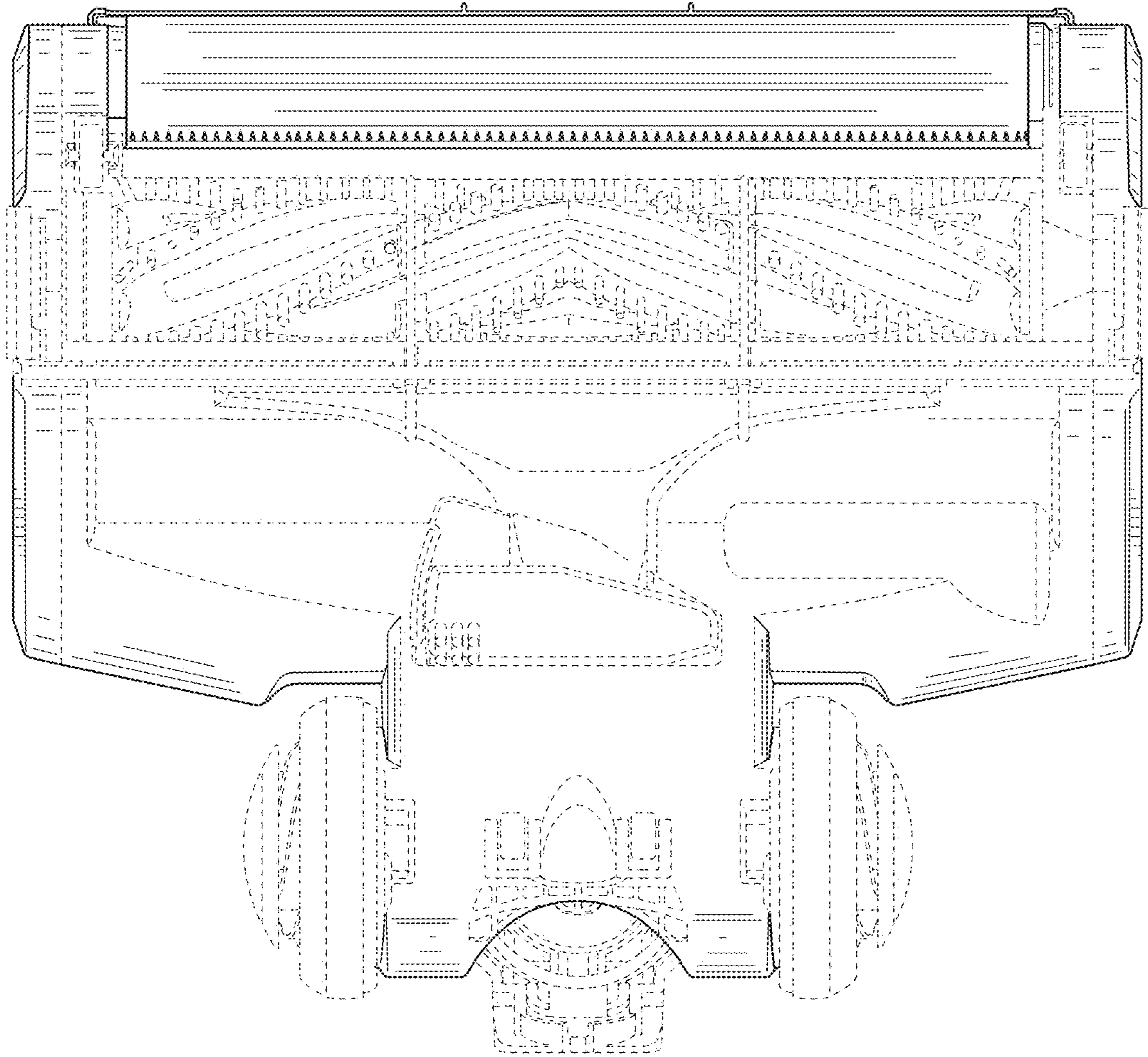


FIG. 7

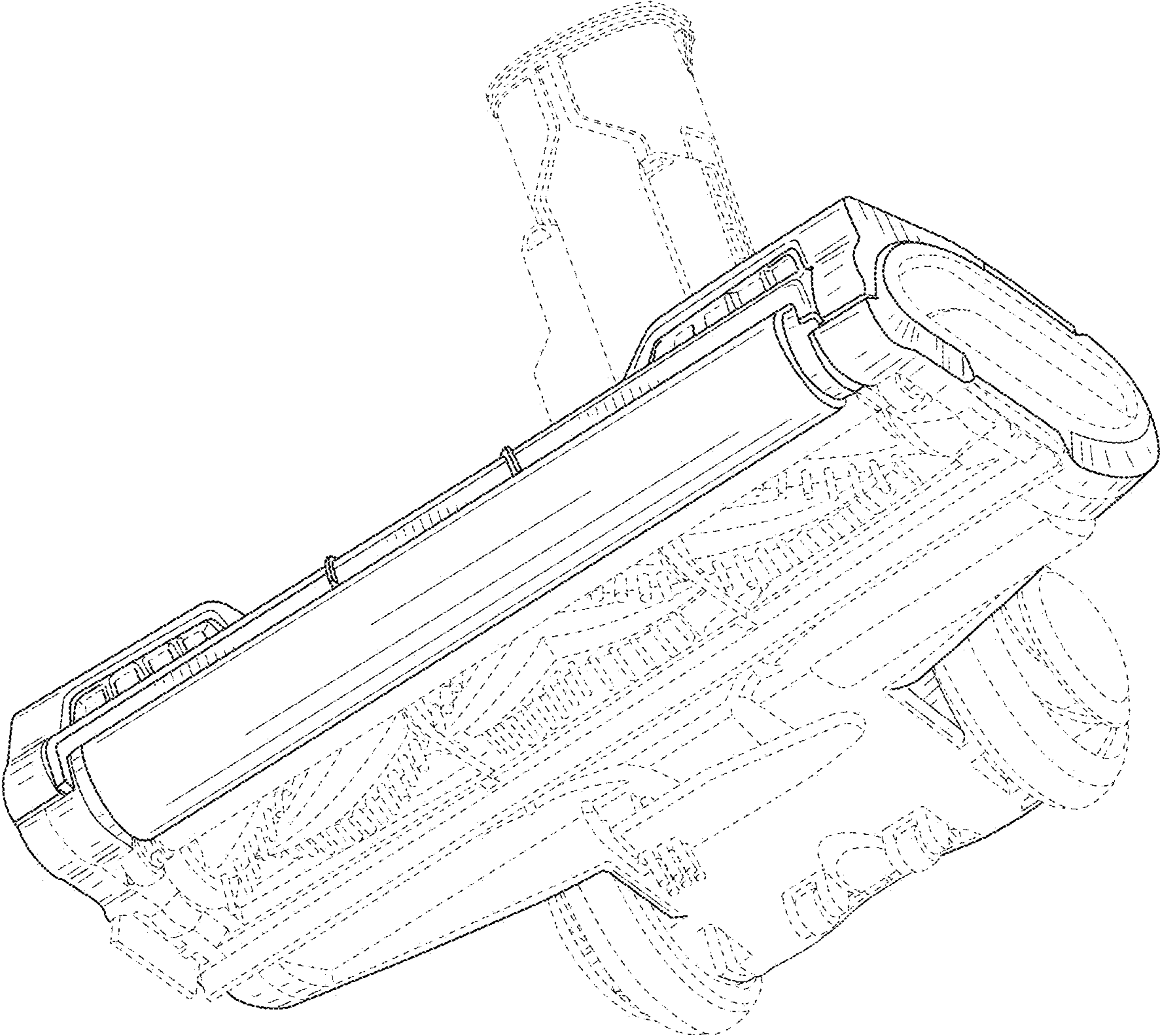


FIG. 8