



US00D925846S

(12) **United States Design Patent**
Pougher et al.

(10) **Patent No.:** **US D925,846 S**
(45) **Date of Patent:** **** Jul. 20, 2021**

(54) **SURFACE CLEANING APPARATUS**

(71) Applicant: **TTI (Macao Commercial Offshore) Limited**, Macau (MO)

(72) Inventors: **Simon Matthew Pougher**, Droitwich (GB); **Darren David Holmes**, Droitwich (GB); **Anna Louise Jaanus**, Droitwich (GB); **Gavin Burnham**, Droitwich (GB); **Samuel William Bennett**, Droitwich (GB)

(73) Assignee: **Techtronic Floor Care Technology Limited**, Tortola (VG)

(**) Term: **15 Years**

(21) Appl. No.: **29/681,683**

(22) Filed: **Feb. 27, 2019**

(51) **LOC (13) Cl.** **15-05**

(52) **U.S. Cl.**
USPC **D32/18**

(58) **Field of Classification Search**
USPC D32/17, 21, 22, 31-34; D13/101, 102, D13/103, 107, 112, 114, 115, 116, 118, D13/122, 125, 133, 162.1, 184, 199
(Continued)

(56) **References Cited**

U.S. PATENT DOCUMENTS

D787,141 S * 5/2017 Nam D32/21
D812,328 S * 3/2018 Dunbar D32/21
(Continued)

FOREIGN PATENT DOCUMENTS

CN 304642522 S 5/2018

Primary Examiner — Manpreet S Matharu
Assistant Examiner — Yolanda Robinson

(74) *Attorney, Agent, or Firm* — Michael Best & Friedrich LLP

(57) **CLAIM**

We claim the ornamental design for a surface cleaning apparatus, as shown.

DESCRIPTION

FIG. 1 is a perspective view of a surface cleaning apparatus according to an embodiment.

FIG. 2 is a front side view of the surface cleaning apparatus of FIG. 1.

FIG. 3 is a back side view of the surface cleaning apparatus of FIG. 1.

FIG. 4 is a left side view of the surface cleaning apparatus of FIG. 1.

FIG. 5 is a right side view of the surface cleaning apparatus of FIG. 1.

FIG. 6 is a top plan view of the surface cleaning apparatus of FIG. 1.

FIG. 7 is a bottom plan view of the surface cleaning apparatus of FIG. 1.

FIG. 8 is a perspective view of a surface cleaning apparatus according to an embodiment.

FIG. 9 is a front side view of the surface cleaning apparatus of FIG. 8.

FIG. 10 is a back side view of the surface cleaning apparatus of FIG. 8.

FIG. 11 is a left side view of the surface cleaning apparatus of FIG. 8.

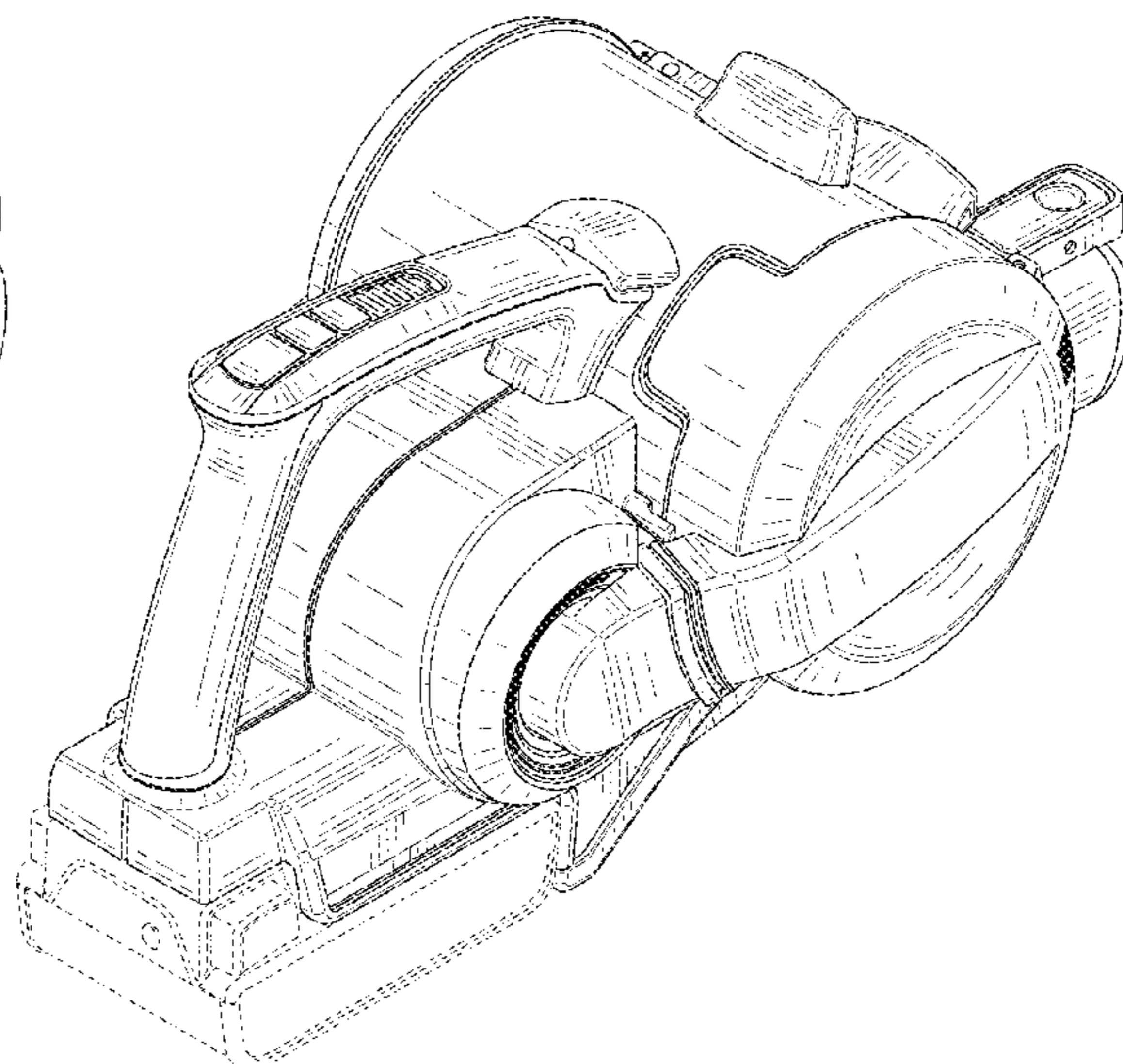
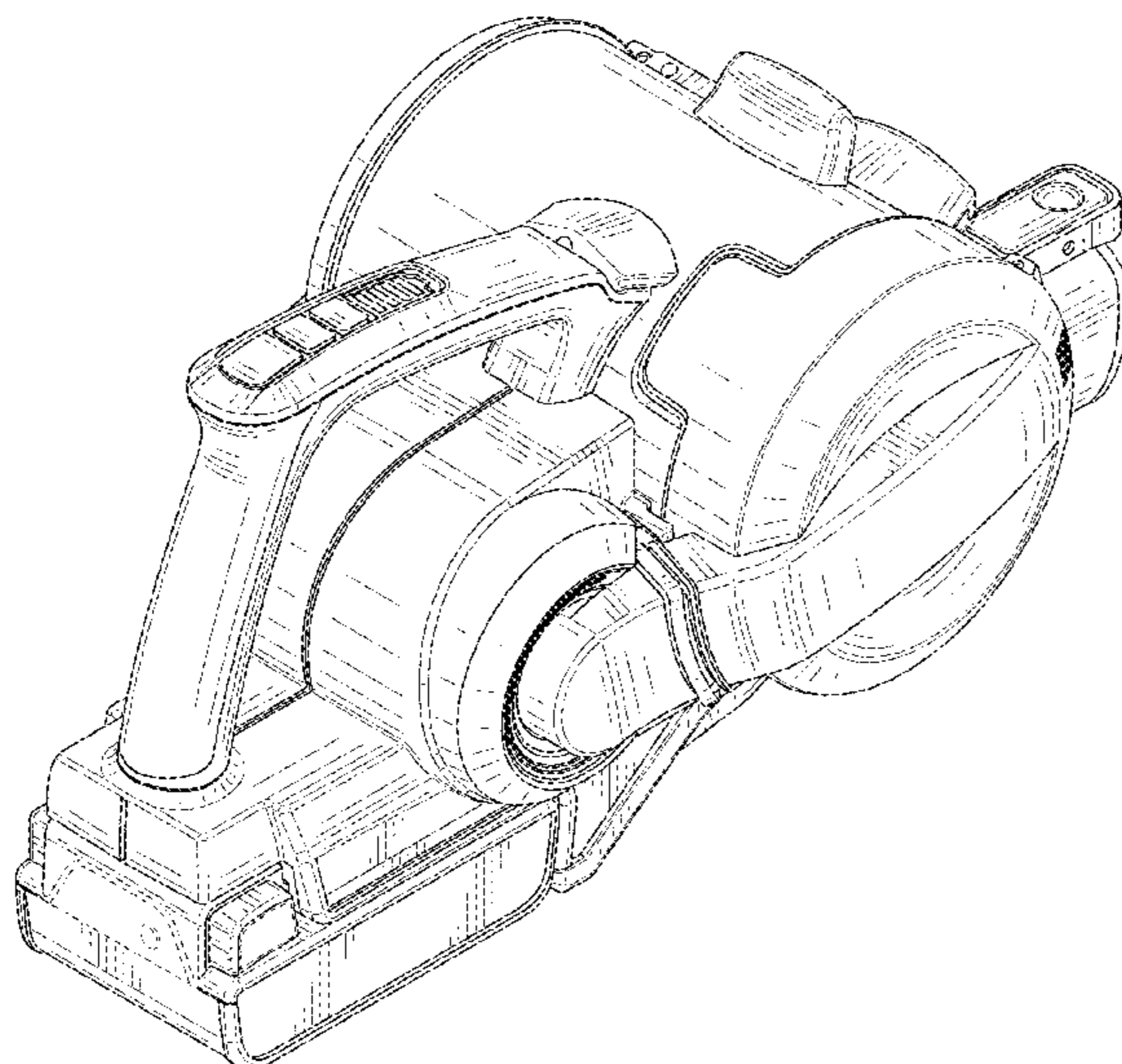
FIG. 12 is a right side view of the surface cleaning apparatus of FIG. 8.

FIG. 13 is a top plan view of the surface cleaning apparatus of FIG. 8; and,

FIG. 14 is a bottom plan view of the surface cleaning apparatus of FIG. 8.

The elements shown in broken lines form no part of the claimed design and are included for the purpose of showing the environment of the claimed design. Any broken lines having unequal line segments indicate the boundary of the claimed design.

1 Claim, 14 Drawing Sheets



(58) **Field of Classification Search**

CPC ... A47L 5/24; A47L 65/24; A47L 5/38; A47L
5/28; A47L 11/4044; A47L 11/34; A47L
7/0038; A47L 9/325; A47L 9/02; A47L
1/08; D01H 11/006; B60S 1/64; A46B
11/001; A46B 11/002; B08B 3/026; B08B
3/028

See application file for complete search history.

(56) **References Cited**

U.S. PATENT DOCUMENTS

| | | | | | | |
|--------------|----|---|---------|------------------|-------|------------|
| D815,378 | S | * | 4/2018 | Ebrahimi Afrouzi | | D32/31 |
| D824,616 | S | * | 7/2018 | Ward | | D32/22 |
| D827,231 | S | * | 8/2018 | Ward | | D32/18 |
| D827,956 | S | * | 9/2018 | Spratt | | D32/21 |
| D841,907 | S | * | 2/2019 | Nam | | D32/21 |
| D842,561 | S | * | 3/2019 | Tokoi | | D32/21 |
| D848,093 | S | * | 5/2019 | Buckley | | D32/18 |
| D850,740 | S | * | 6/2019 | Taniguchi | | D32/15 |
| D854,266 | S | * | 7/2019 | Gammack | | D32/18 |
| D861,265 | S | * | 9/2019 | Gammack | | D32/18 |
| D867,695 | S | * | 11/2019 | Tian | | D32/18 |
| D874,757 | S | * | 2/2020 | Chei | | D32/18 |
| 2020/0107685 | A1 | * | 4/2020 | Tanaka | | A47L 9/16 |
| 2020/0113398 | A1 | * | 4/2020 | Pougher | | A47L 9/327 |

* cited by examiner

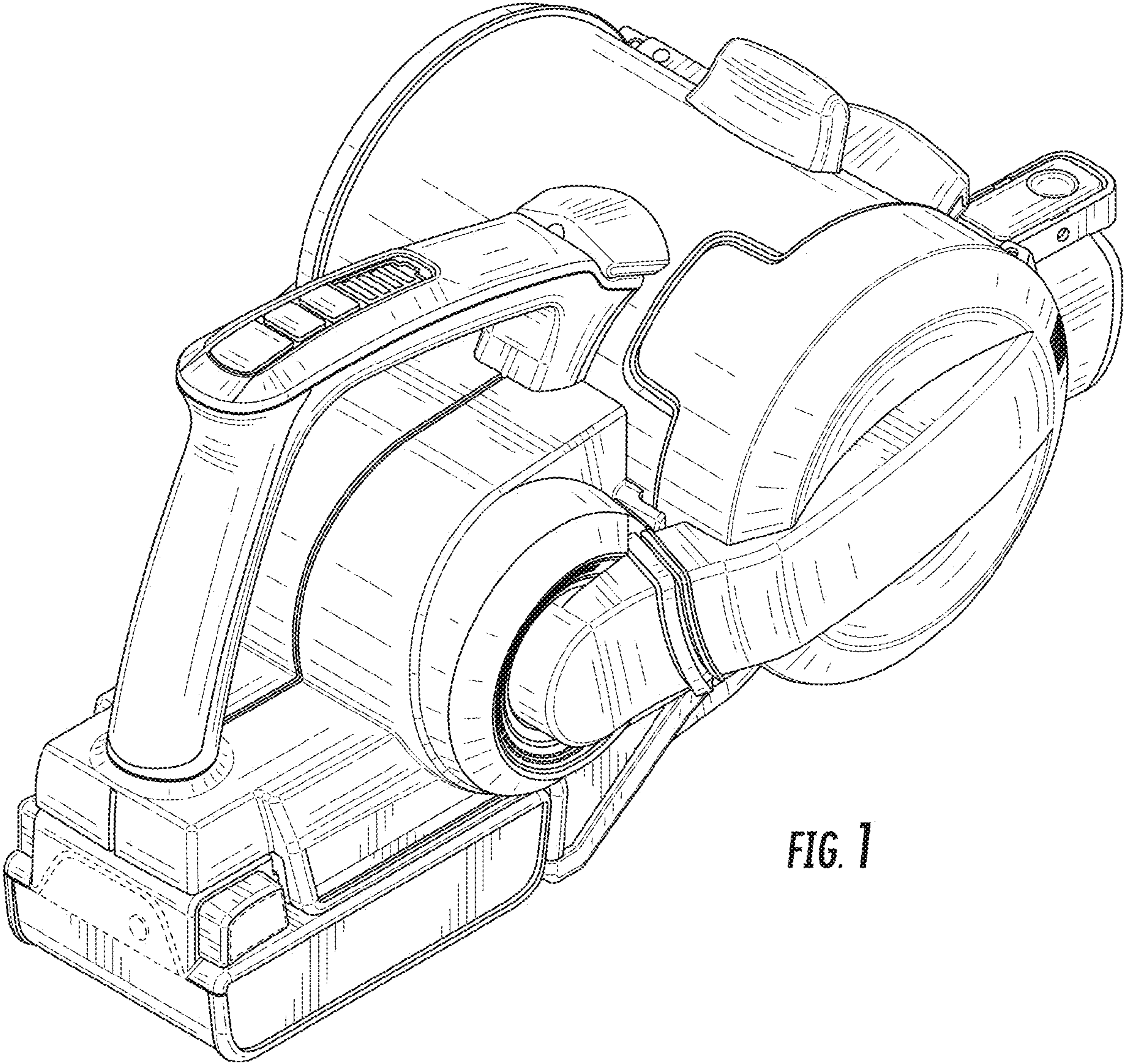


FIG. 1

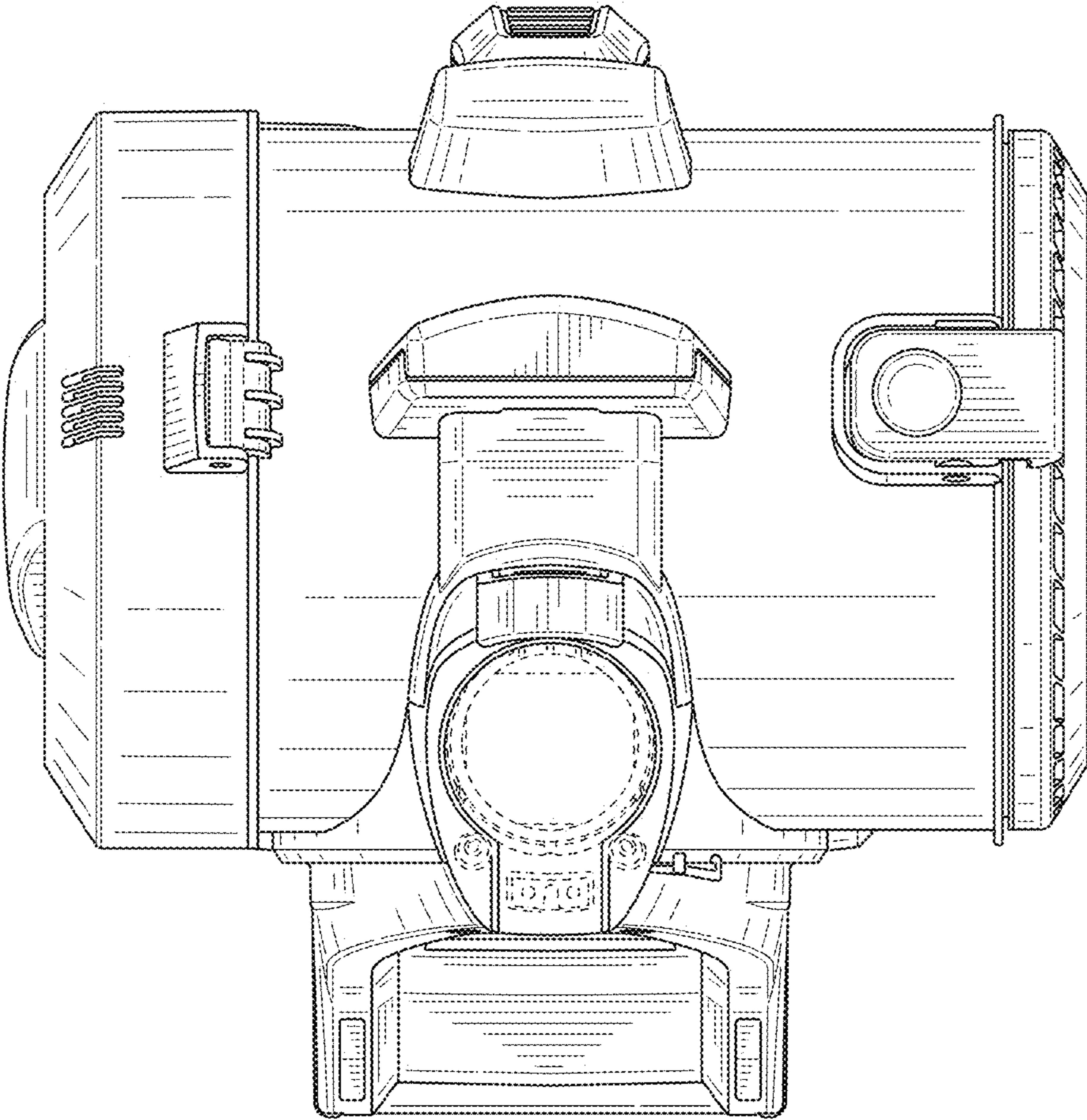


FIG. 2

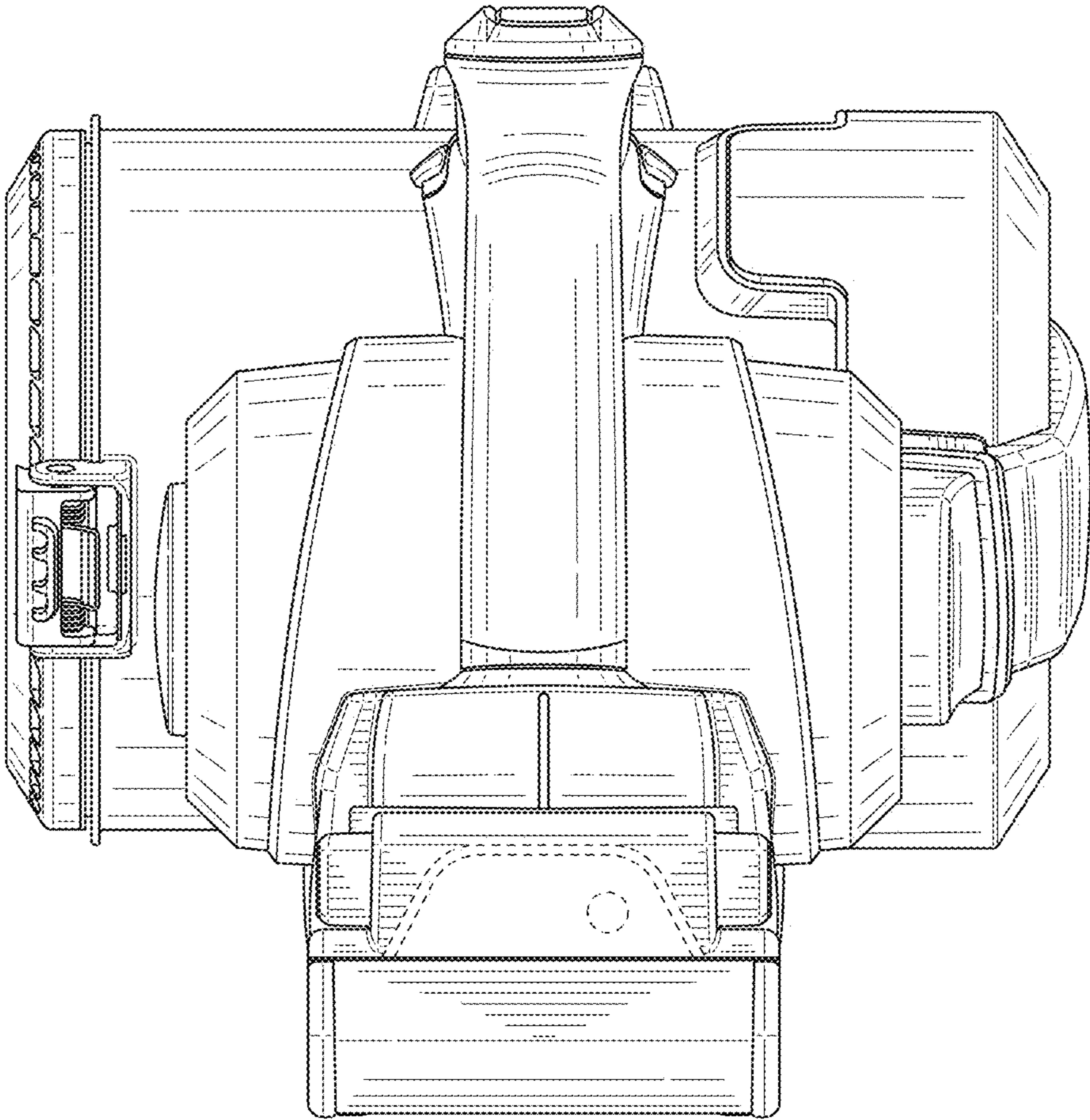


FIG. 3

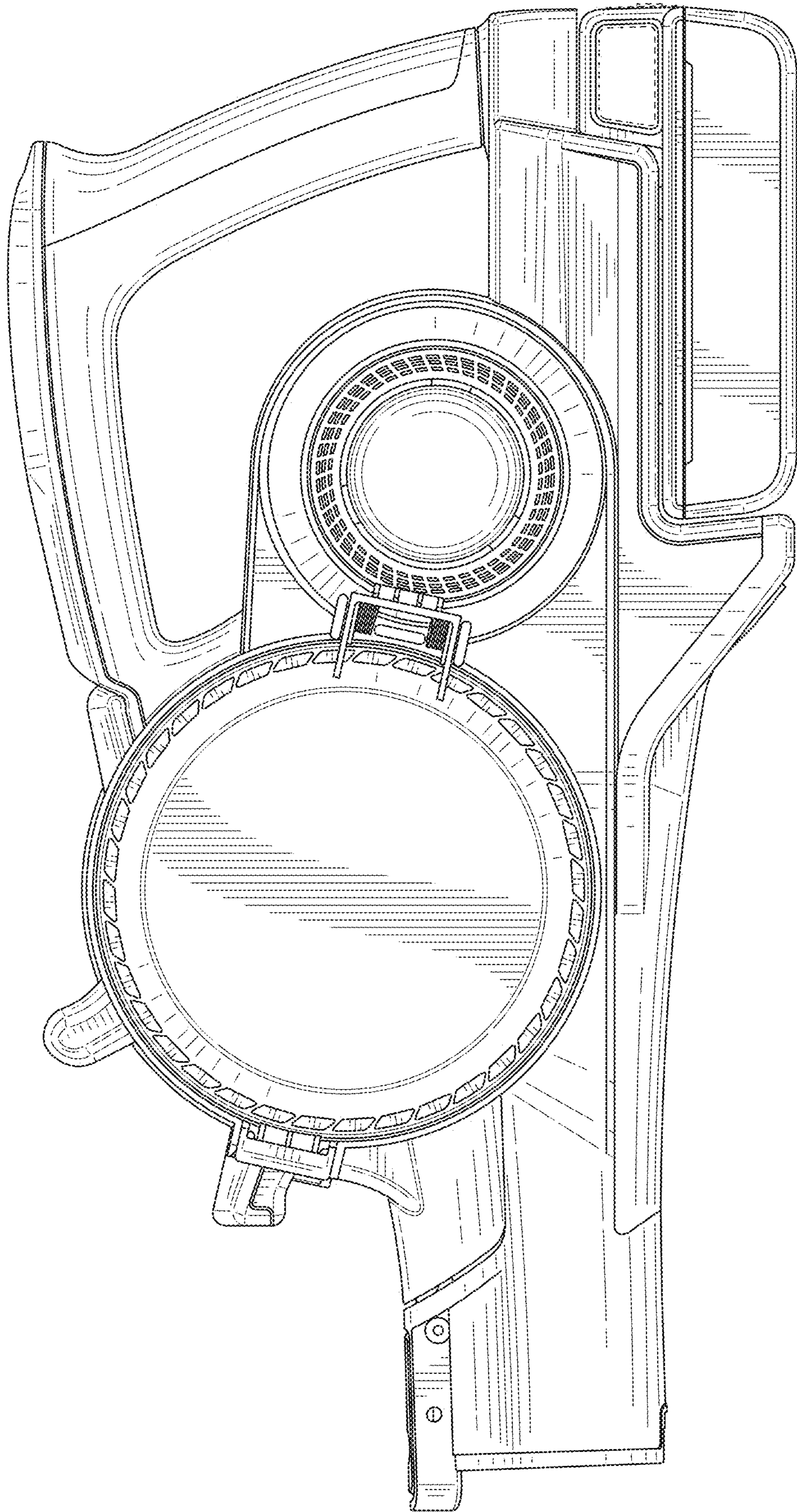


FIG. 4

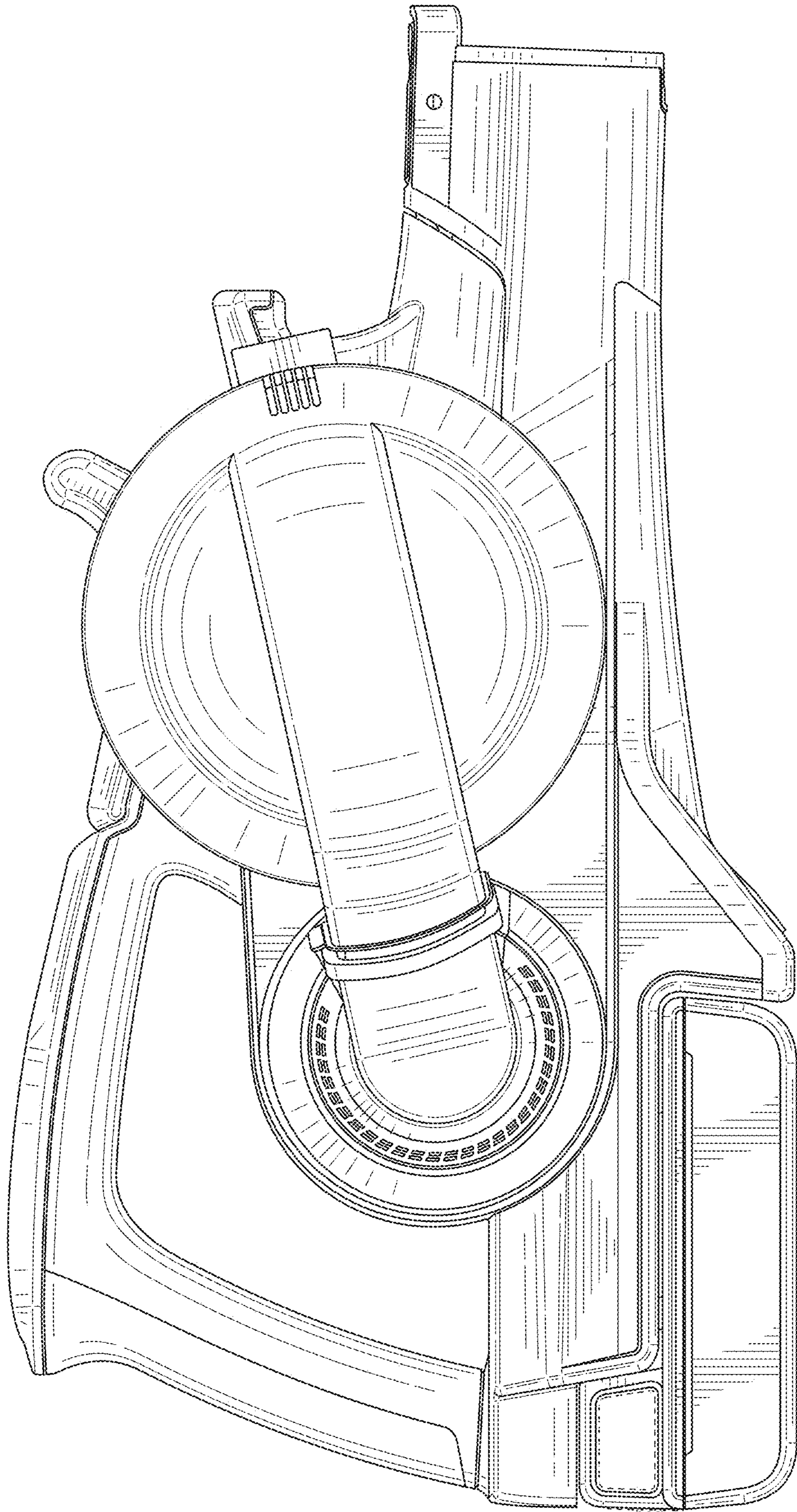


FIG. 5

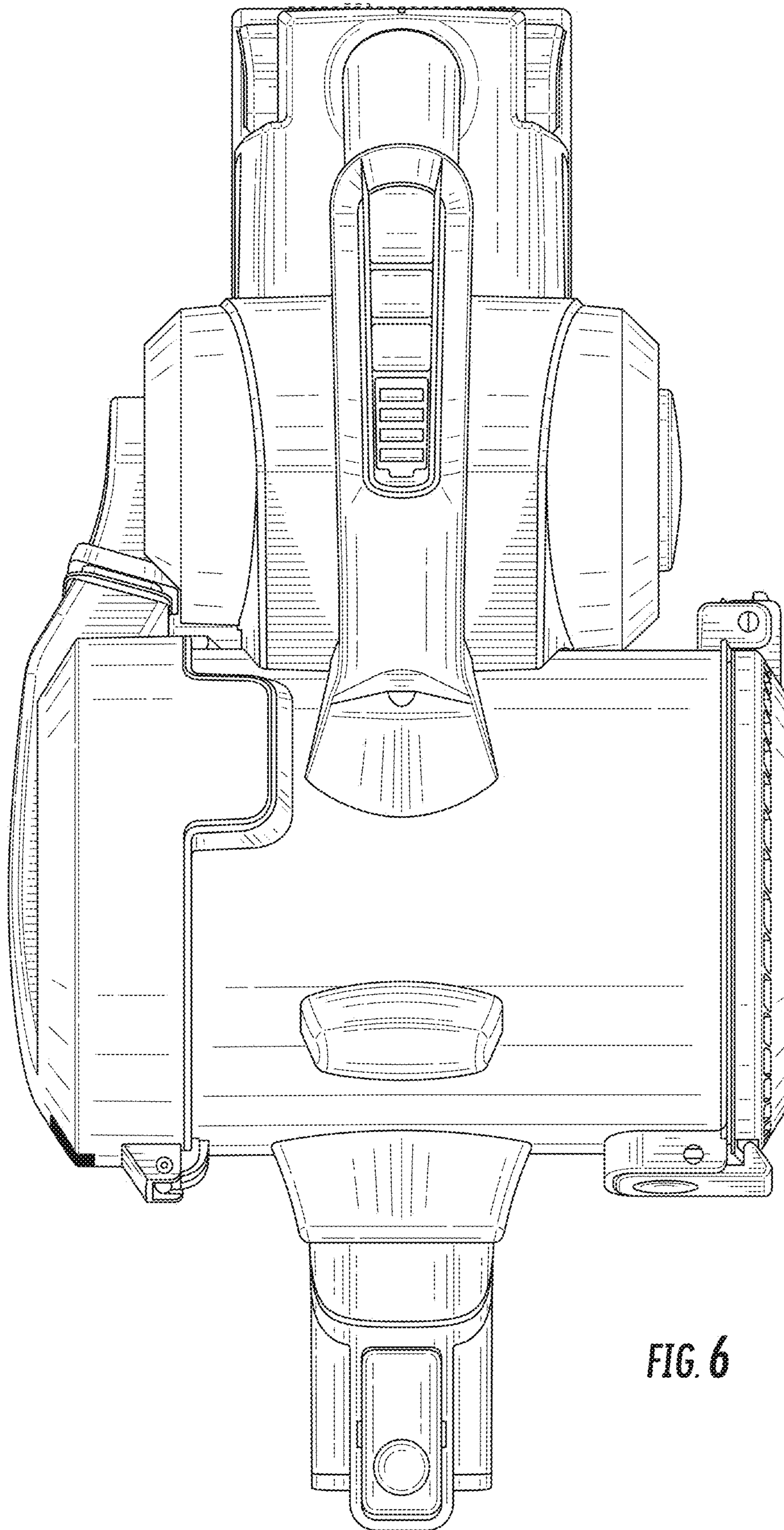


FIG. 6

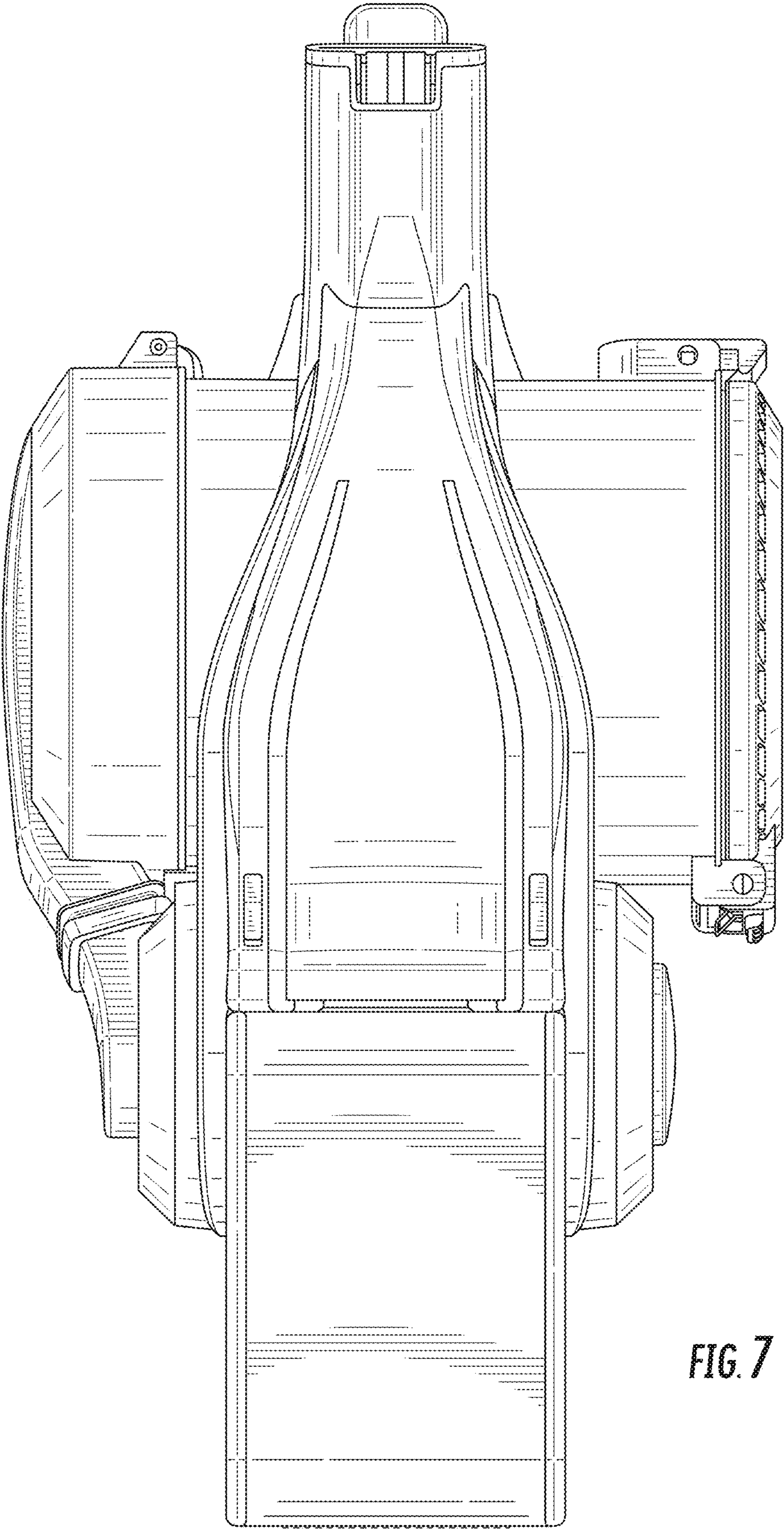


FIG. 7

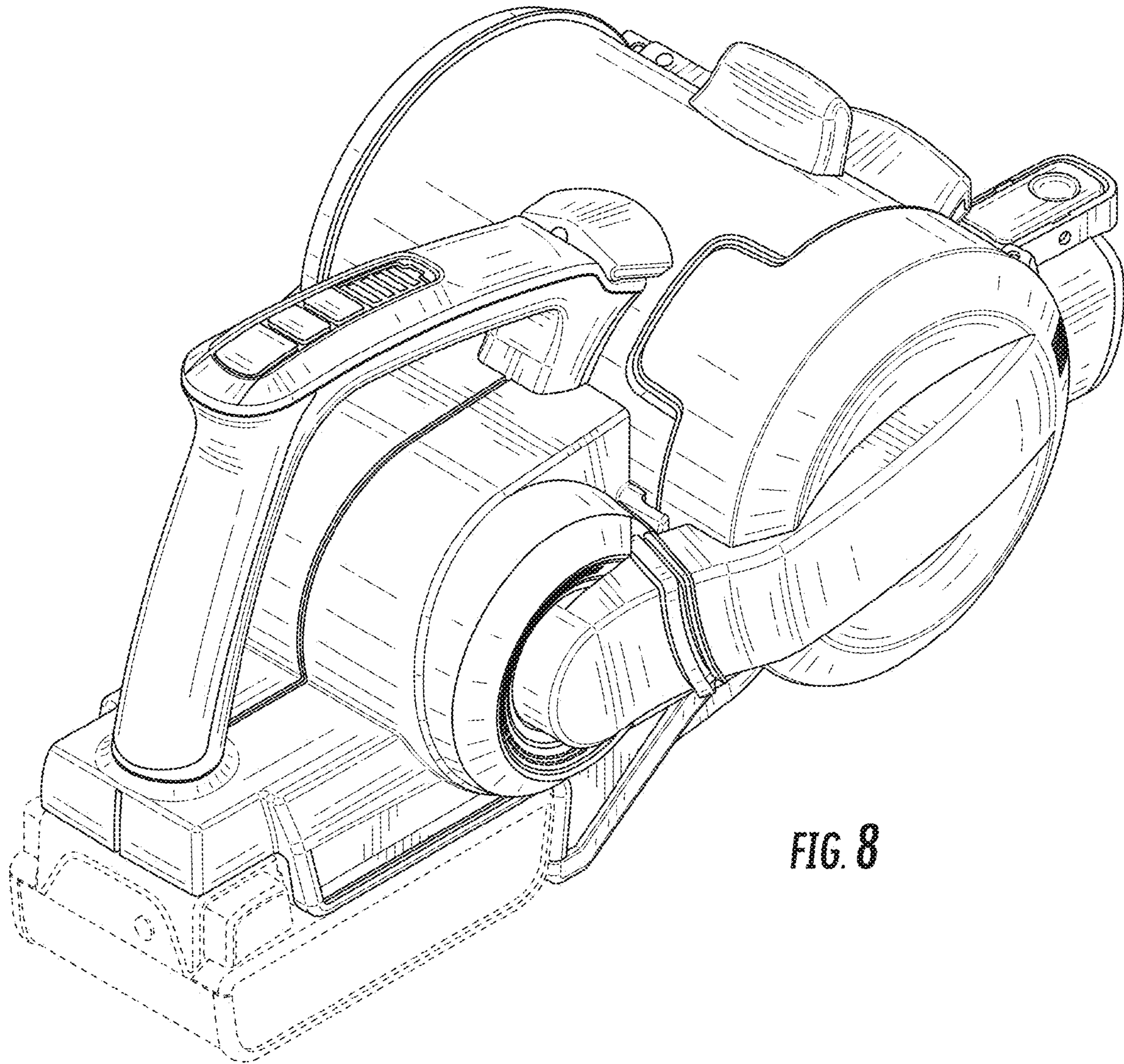


FIG. 8

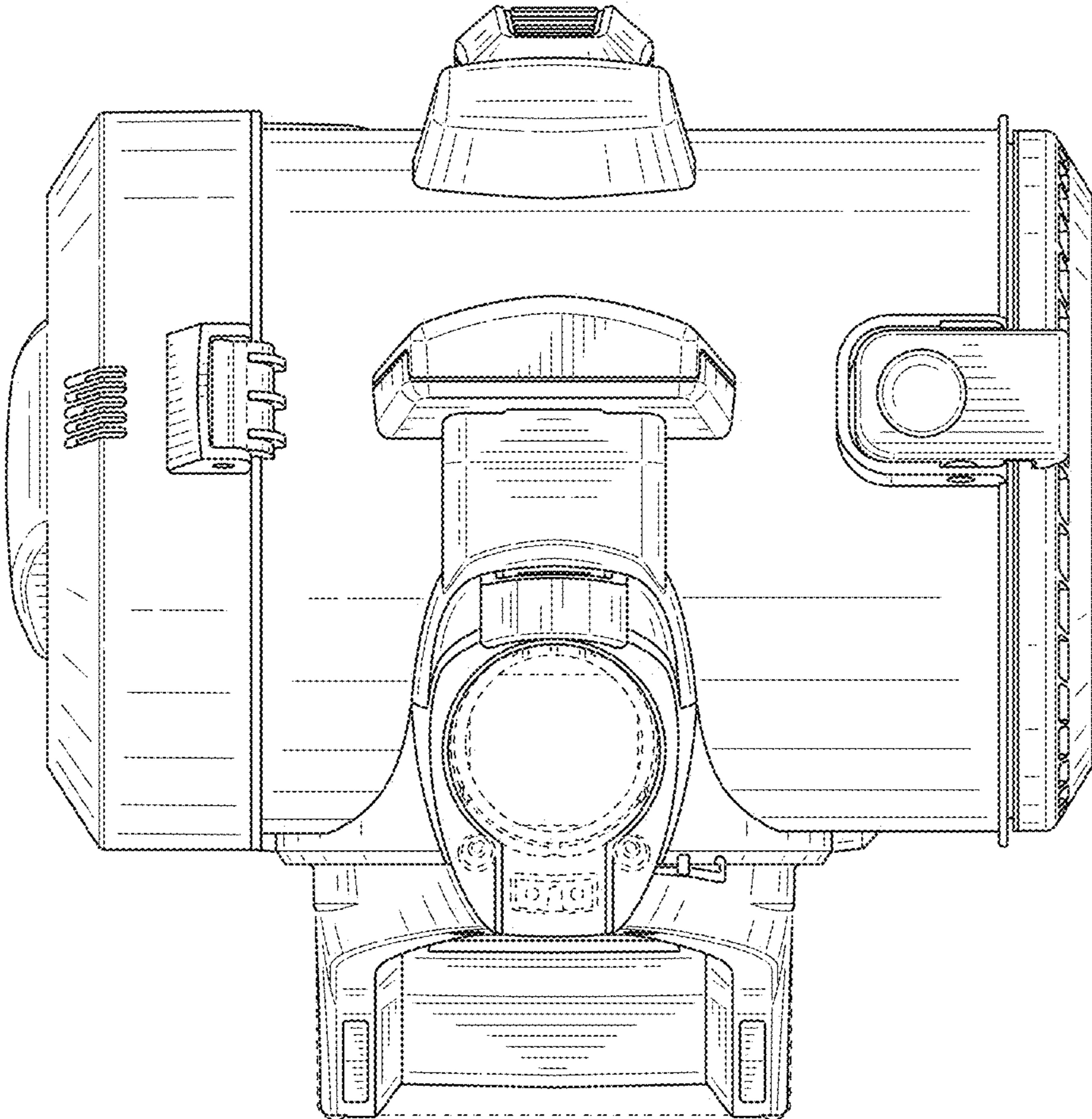


FIG. 9

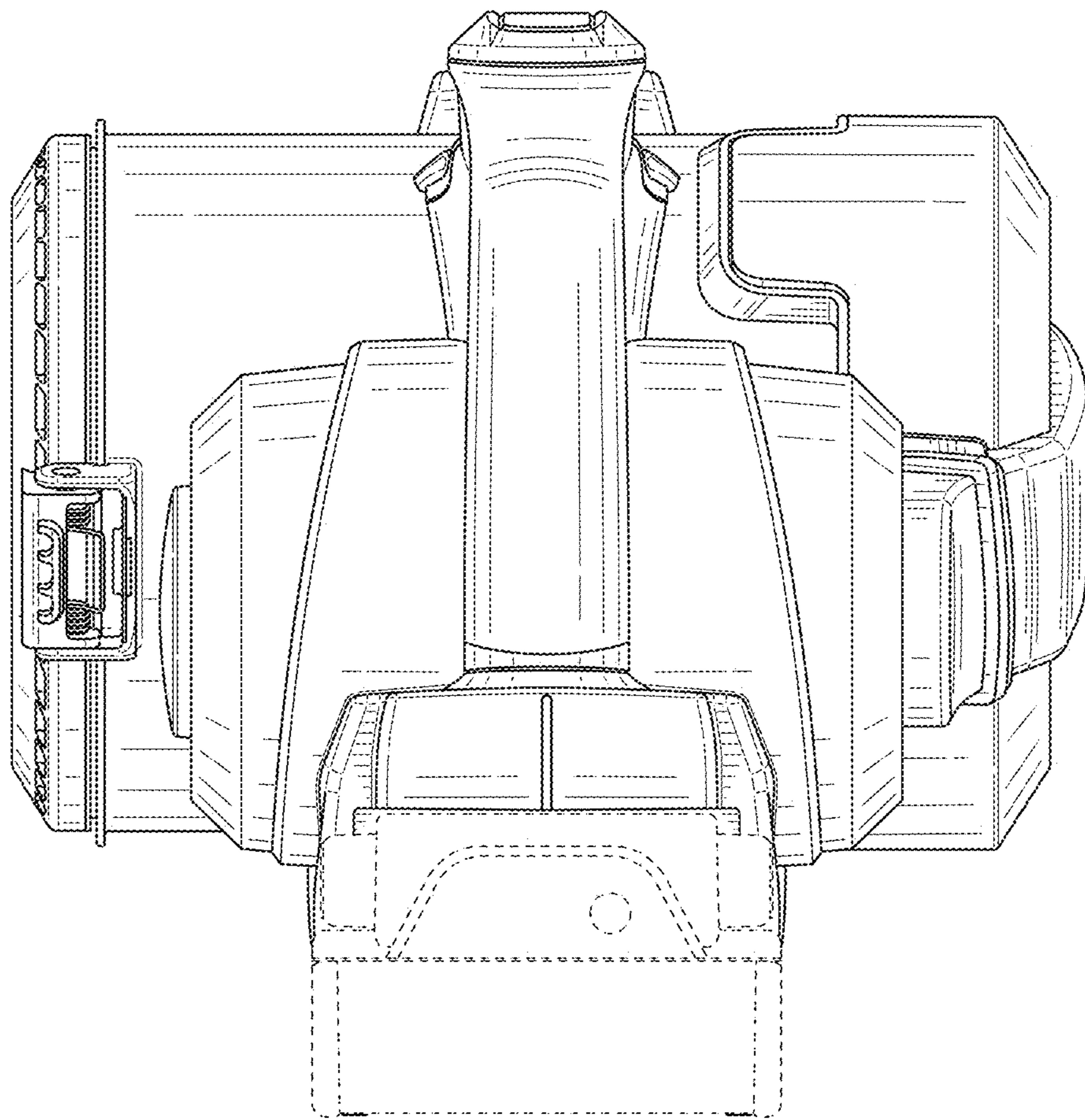


FIG. 10

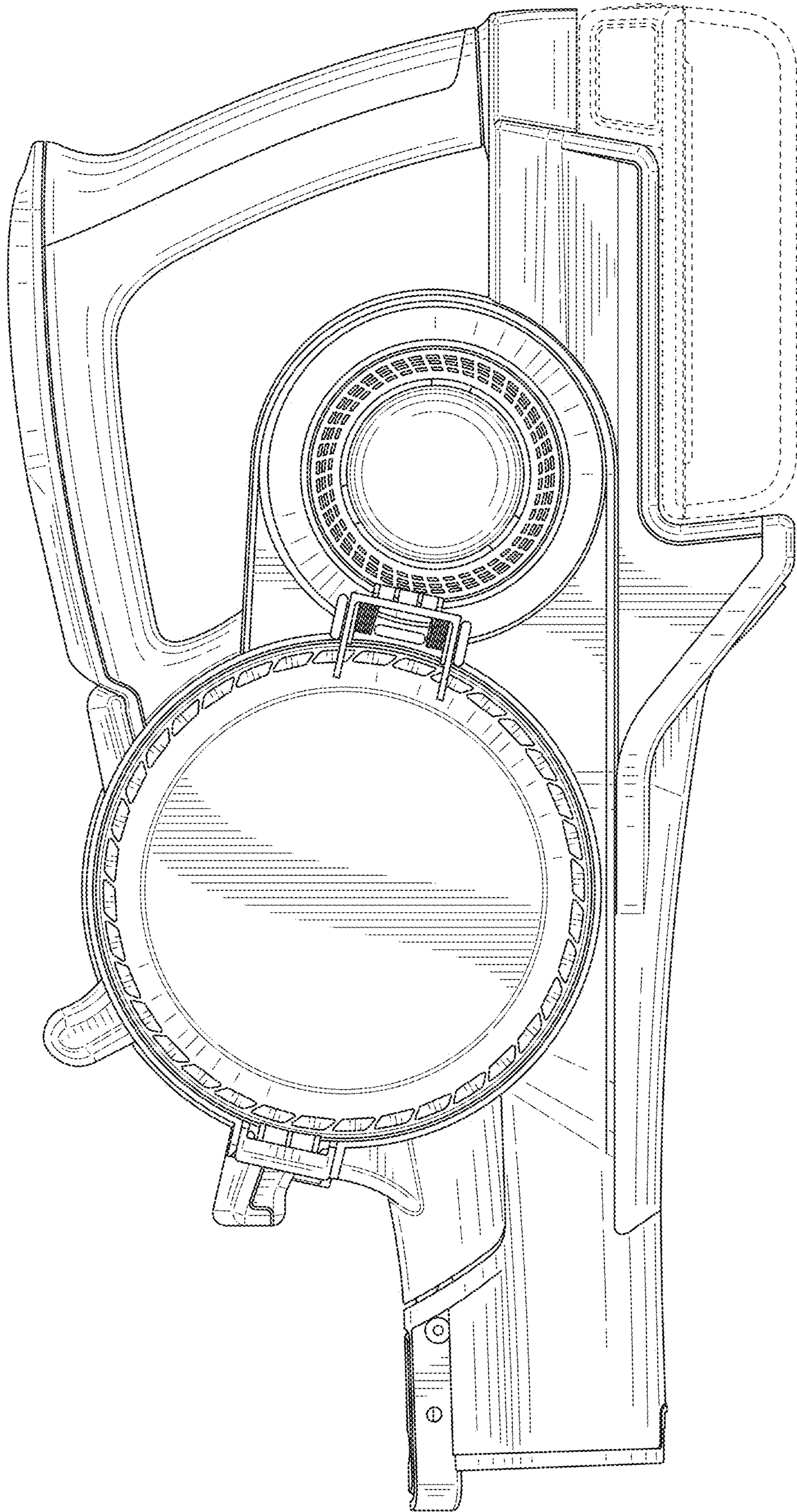


FIG. 11

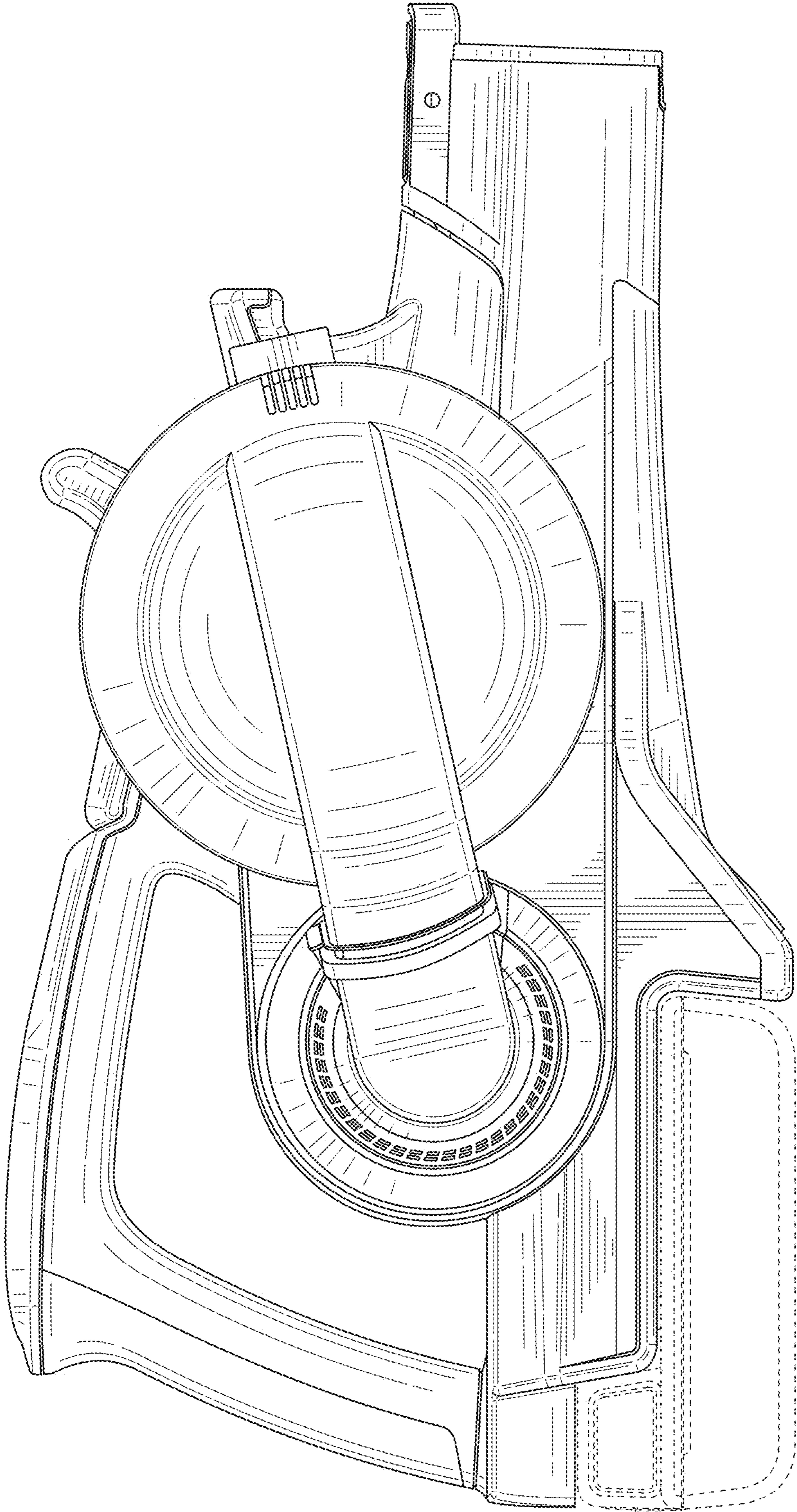


FIG. 12

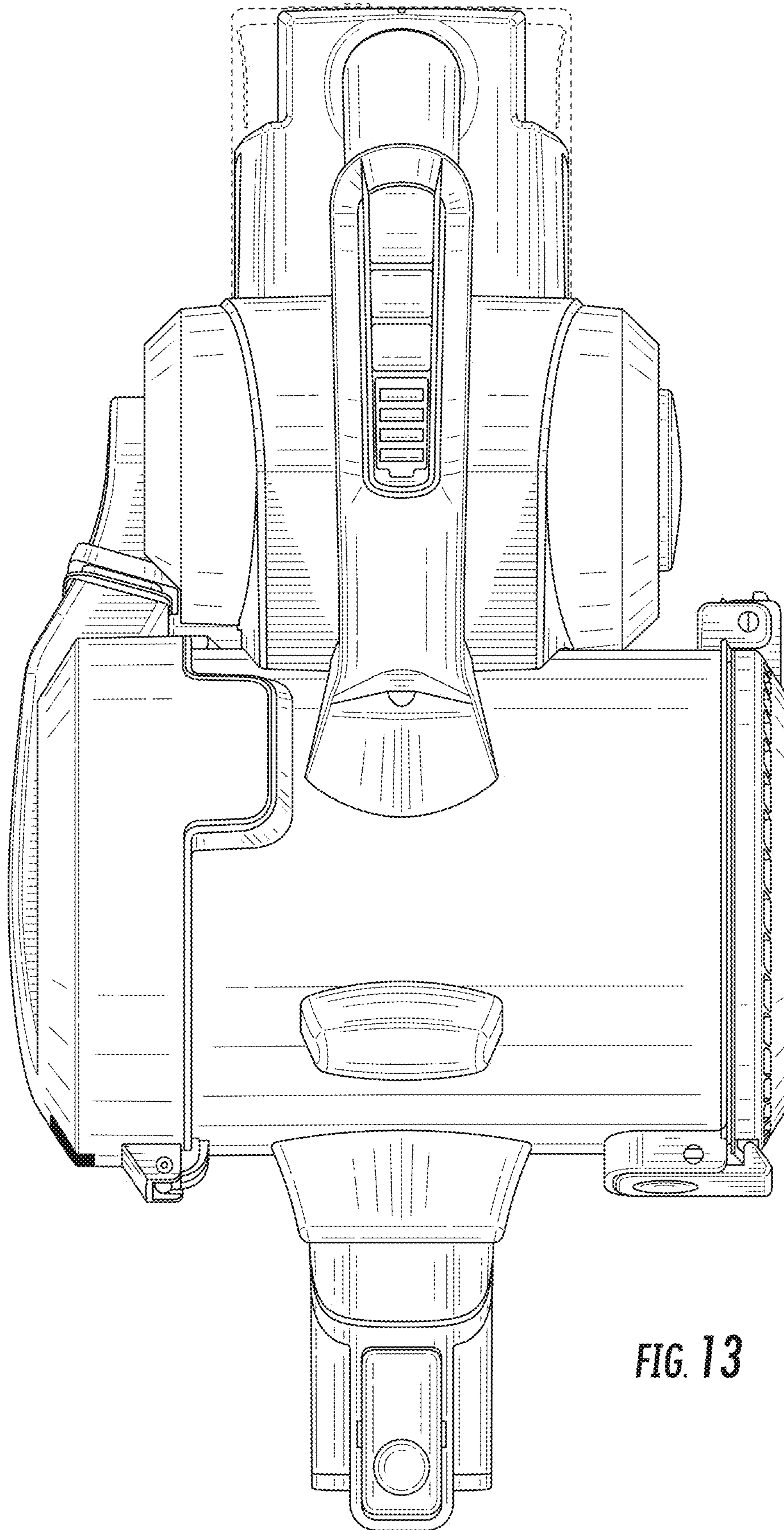


FIG. 13

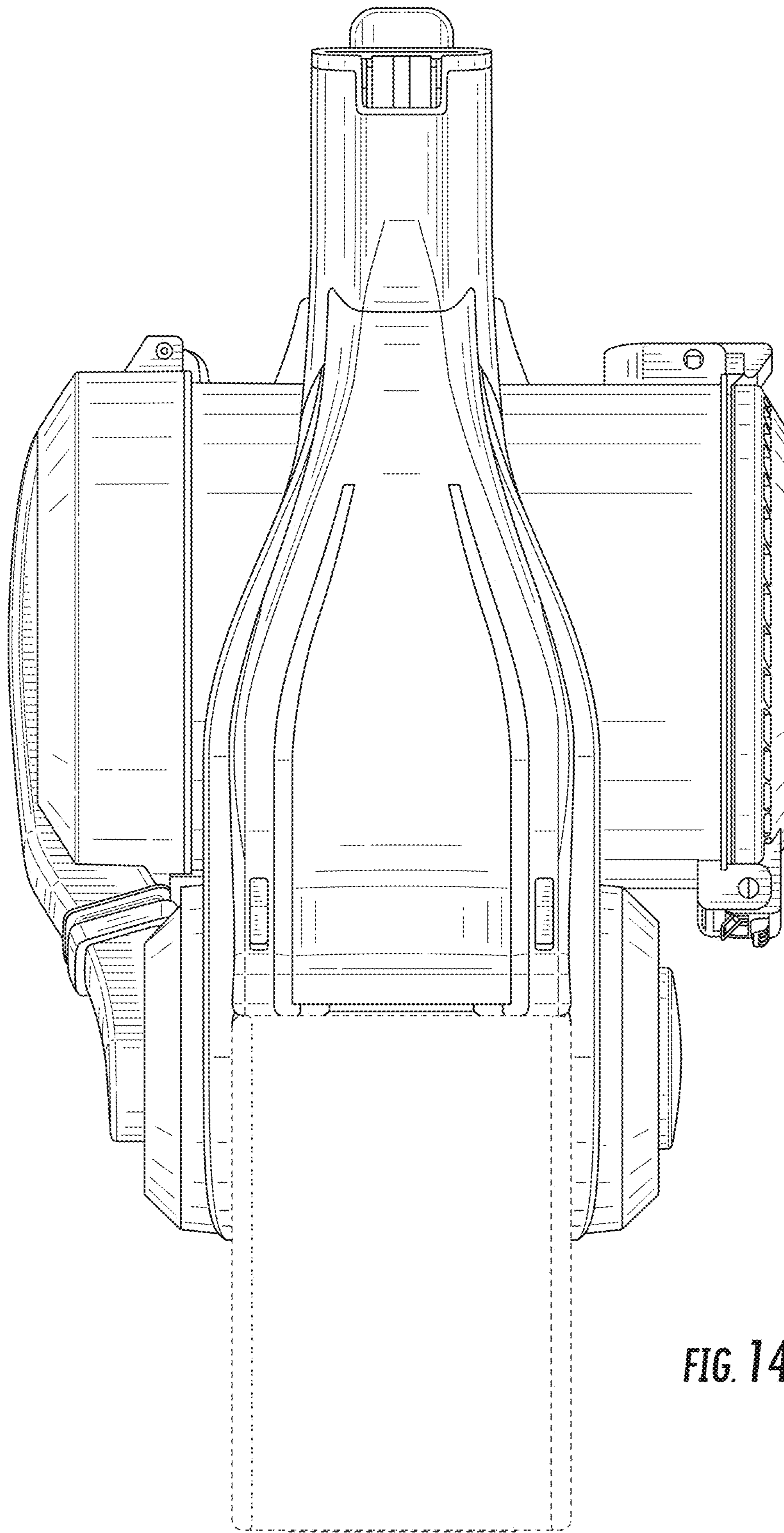


FIG. 14