

US00D925845S

(12) **United States Design Patent** (10) **Patent No.:** **US D925,845 S**  
**Alexander** (45) **Date of Patent:** **\*\* Jul. 20, 2021**

(54) **PRESSURE WASHER**  
(71) Applicant: **FNA Group, Inc.**, Pleasant Prairie, WI (US)  
(72) Inventor: **Gus Alexander**, Inverness, IL (US)  
(73) Assignee: **FNA Group, Inc.**, Pleasant Prairie, WI (US)

7,316,286 B2 \* 1/2008 Hillary ..... B05B 9/0855  
180/291  
D579,612 S \* 10/2008 Rutkowski ..... D32/25  
D580,610 S \* 11/2008 Hawkins ..... D32/25  
D590,110 S \* 4/2009 Hawkins ..... D32/25  
(Continued)

(\*\*) Term: **15 Years**

(21) Appl. No.: **29/709,460**

(22) Filed: **Oct. 15, 2019**

(51) **LOC (13) Cl.** ..... **15-05**

(52) **U.S. Cl.**  
USPC ..... **D32/15; D32/25**

(58) **Field of Classification Search**  
USPC ..... D32/1, 15, 16, 24, 25; D34/24; D23/225  
CPC ..... B05B 9/0855; B05B 15/32-321; B05B  
239/146-147; B05B 239/525; B05B  
239/532; B05B 417/36; B05B 417/364  
See application file for complete search history.

(56) **References Cited**

**U.S. PATENT DOCUMENTS**

D458,423 S \* 6/2002 Rehkugler ..... D32/1  
D459,851 S \* 7/2002 Rehkugler ..... D34/24  
D463,888 S \* 10/2002 Rehkugler ..... B08B 3/026  
D32/1  
D467,692 S \* 12/2002 Morgan ..... D32/15  
6,695,235 B2 \* 2/2004 Faller ..... B08B 3/026  
239/722  
6,779,987 B2 \* 8/2004 Dexter ..... B08B 3/026  
417/299  
D499,848 S \* 12/2004 Leasure ..... D32/15  
6,857,444 B2 \* 2/2005 Davis ..... B08B 3/026  
137/115.06  
6,935,642 B1 \* 8/2005 Craig ..... B08B 3/026  
280/47.24  
D532,942 S \* 11/2006 Busschaert ..... D32/15

**OTHER PUBLICATIONS**

Pressure Washer <https://www.generacpowerproducts.com/Pressure-Washers/Residential-Pressure-Washers/Generac-SPEEDWASH%E2%84%A2-System/p/000000010000007122> (Year: 2021).\*

(Continued)

*Primary Examiner* — Michelle E. Wilson  
*Assistant Examiner* — Richard E Yenchesky  
(74) *Attorney, Agent, or Firm* — Steven E. Jedlinski;  
Jeffrey T. Placker; Holland & Knight LLP

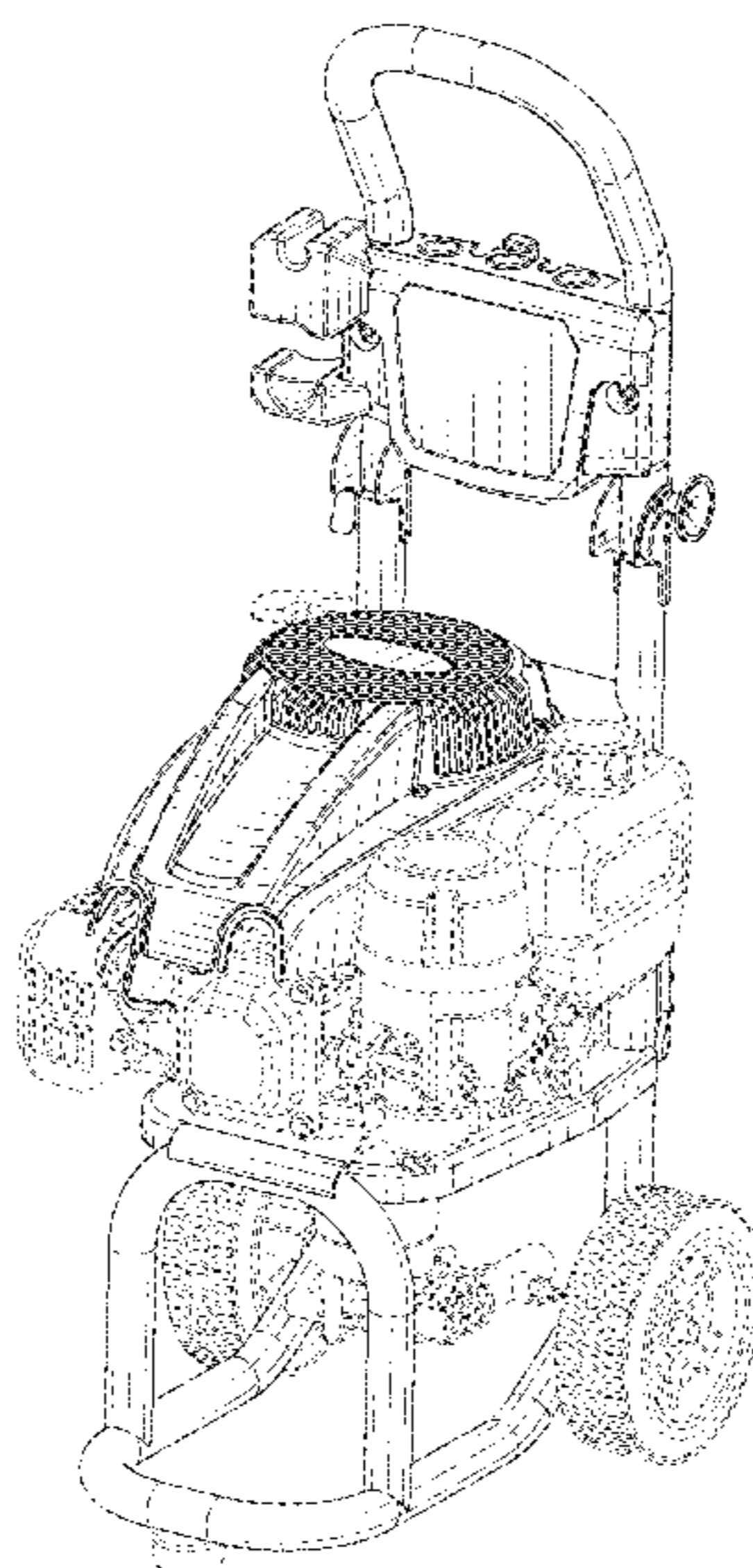
(57) **CLAIM**

The ornamental design for a pressure washer, as shown and described.

**DESCRIPTION**

FIG. 1 is a top-front-left perspective view of a pressure washer;  
FIG. 2 is a top-front-right perspective view thereof;  
FIG. 3 is a top-rear-left perspective view thereof;  
FIG. 4 is a top-rear-right perspective view thereof;  
FIG. 5 is a rear elevation view thereof;  
FIG. 6 is a front elevation view thereof;  
FIG. 7 is a right elevation view thereof;  
FIG. 8 is a left elevation view thereof;  
FIG. 9 is a top plan view thereof;  
FIG. 10 is bottom plan view thereof;  
FIG. 11 is a top-front-left perspective view thereof; and,  
FIG. 12 is a top-front-right perspective view thereof.  
The broken lines are included for the purpose of illustrating portions of the pressure washer that form no part of the claimed design.

**1 Claim, 12 Drawing Sheets**



(56)

References Cited

U.S. PATENT DOCUMENTS

D595,911 S \* 7/2009 Rutkowski ..... D32/25  
 D596,817 S \* 7/2009 Glass ..... D32/25  
 7,562,780 B2 \* 7/2009 Gilpatrick ..... B08B 3/026  
 211/70.6  
 D633,263 S \* 2/2011 Fay ..... D32/15  
 D634,083 S \* 3/2011 Fay ..... D32/15  
 D639,001 S \* 5/2011 Alexander ..... D32/15  
 D648,082 S \* 11/2011 Alexander ..... D32/15  
 D688,841 S \* 8/2013 van Deursen ..... D32/25  
 D702,900 S \* 4/2014 Kahan ..... D32/16  
 D732,764 S \* 6/2015 Kennard ..... D32/15  
 D733,373 S \* 6/2015 Kahan ..... D32/16  
 D737,528 S \* 8/2015 Dammkoehler ..... D32/25  
 D824,612 S \* 7/2018 Alexander ..... D32/16  
 D824,613 S \* 7/2018 Alexander ..... D32/16  
 D834,269 S \* 11/2018 Masters ..... D32/15  
 D901,799 S \* 11/2020 Stariha ..... D32/25

10,835,933 B2 \* 11/2020 Luby ..... F04B 17/06  
 10,888,887 B2 \* 1/2021 Masters ..... B05B 9/0413  
 D909,452 S \* 2/2021 Sheng ..... D16/219  
 D910,252 S \* 2/2021 Schuetz ..... D32/16  
 D910,942 S \* 2/2021 Schuetz ..... D32/16  
 D911,640 S \* 2/2021 Schuetz ..... D32/16  
 D912,354 S \* 3/2021 Ediger ..... D32/43  
 2005/0145270 A1 \* 7/2005 Ray ..... B05B 9/007  
 134/174  
 2006/0102745 A1 \* 5/2006 Dexter ..... B05B 9/0855  
 239/146

OTHER PUBLICATIONS

Pressure Washer <https://www.target.com/p/stanley-fatmax-2-3-gpm-2800-psi-gas-power-portable-high-pressure-washer-cleaner/-/A-76140167> (Year: 2021).\*

\* cited by examiner

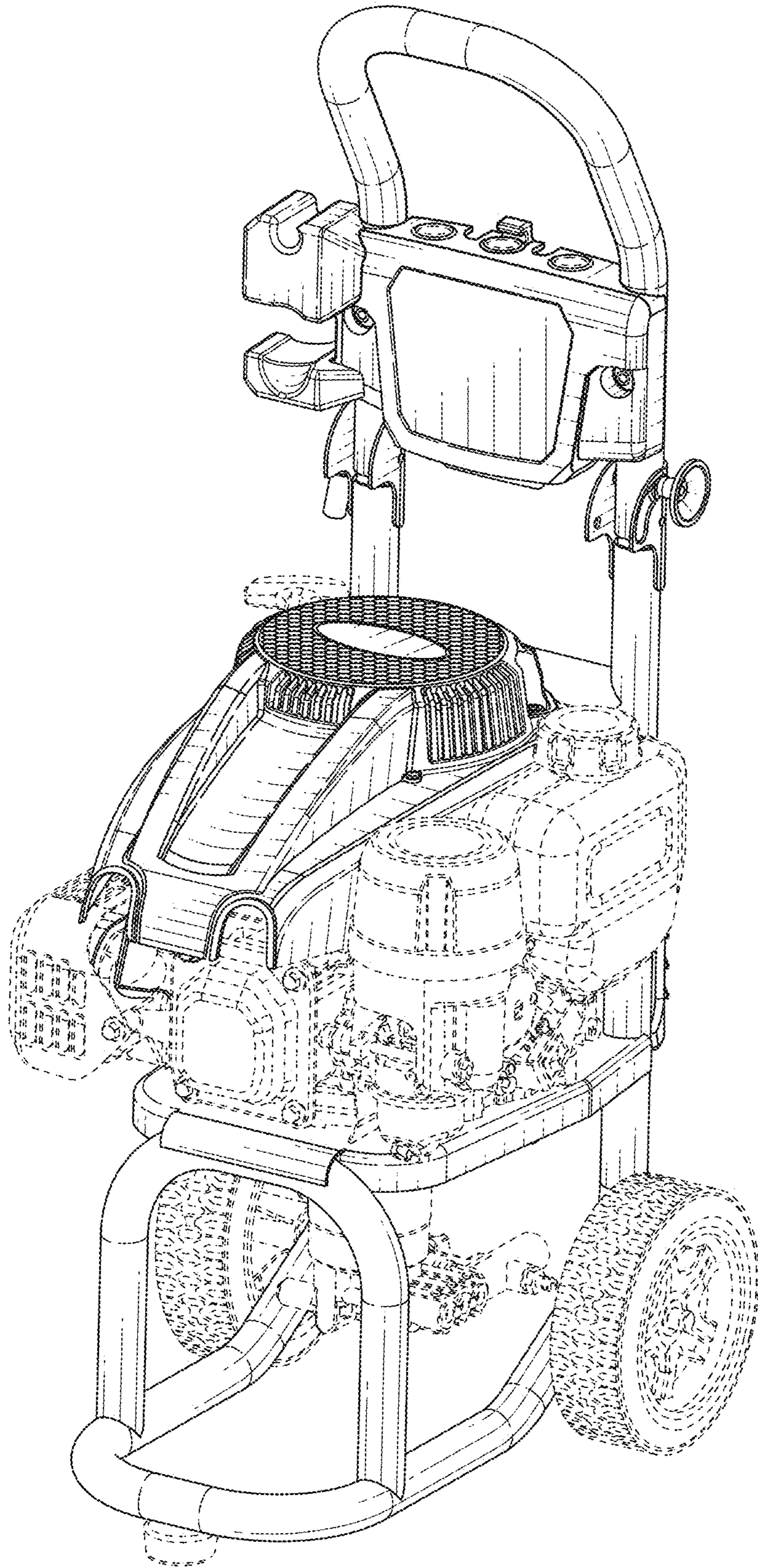


FIG. 1

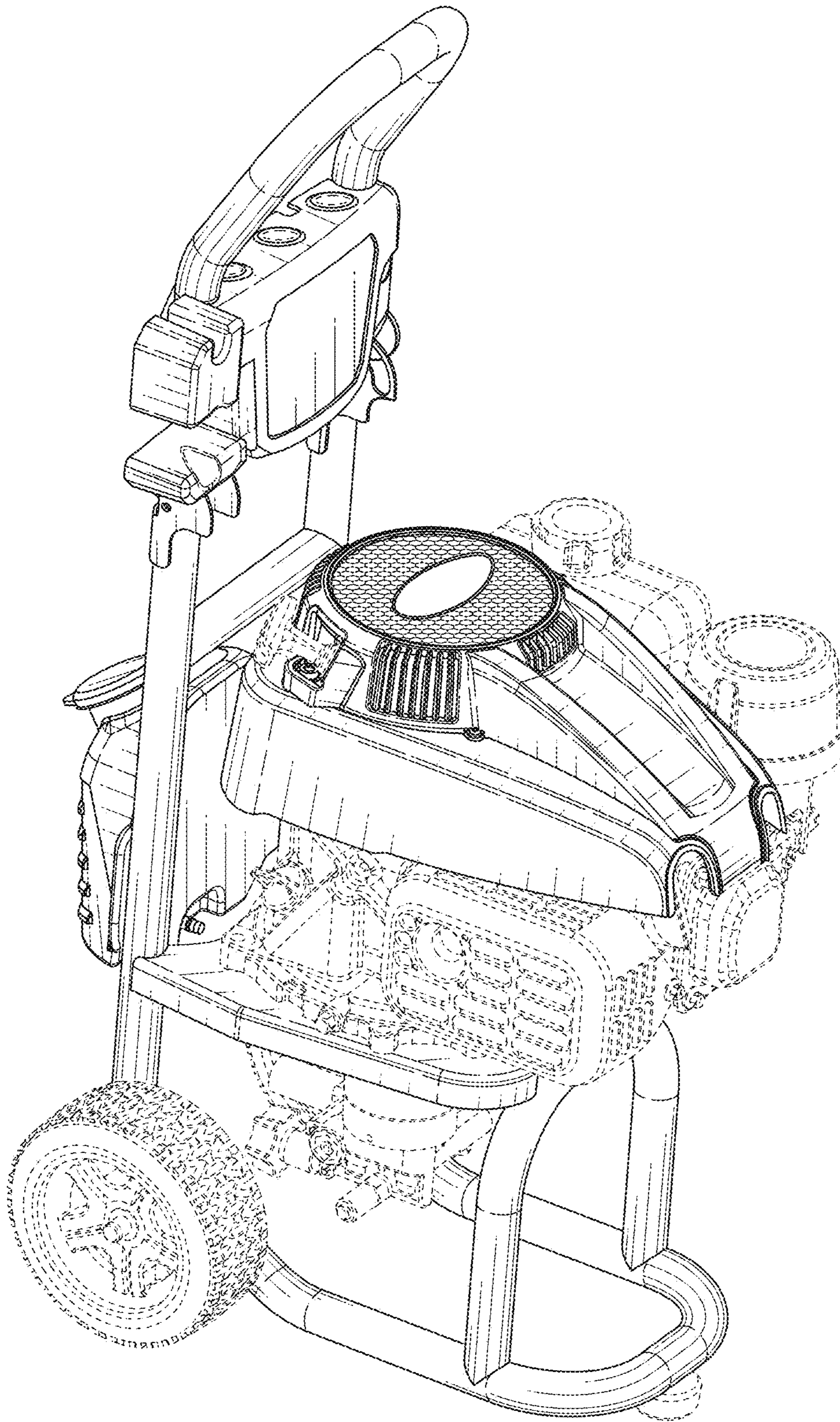


FIG. 2

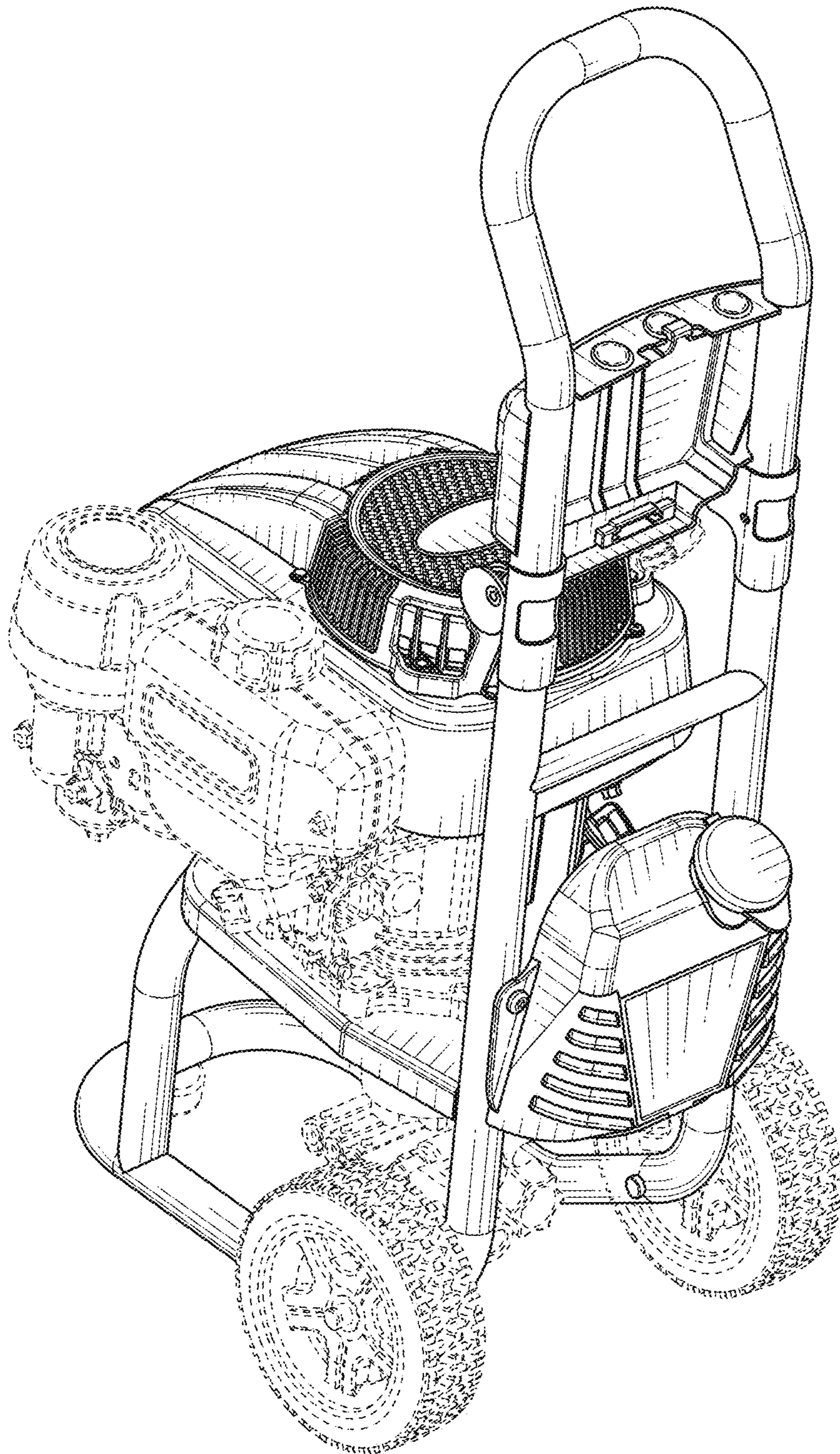


FIG. 3

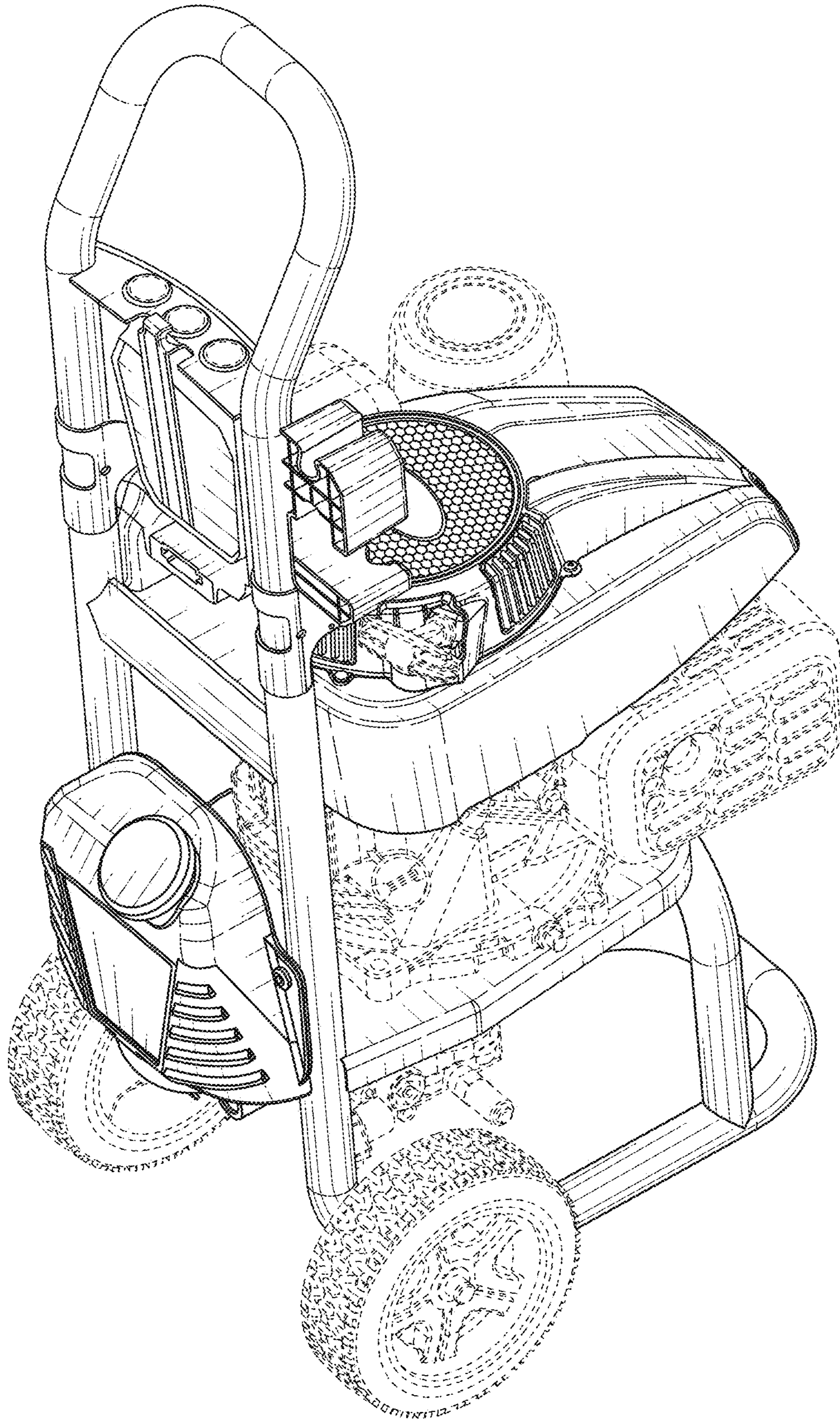


FIG. 4

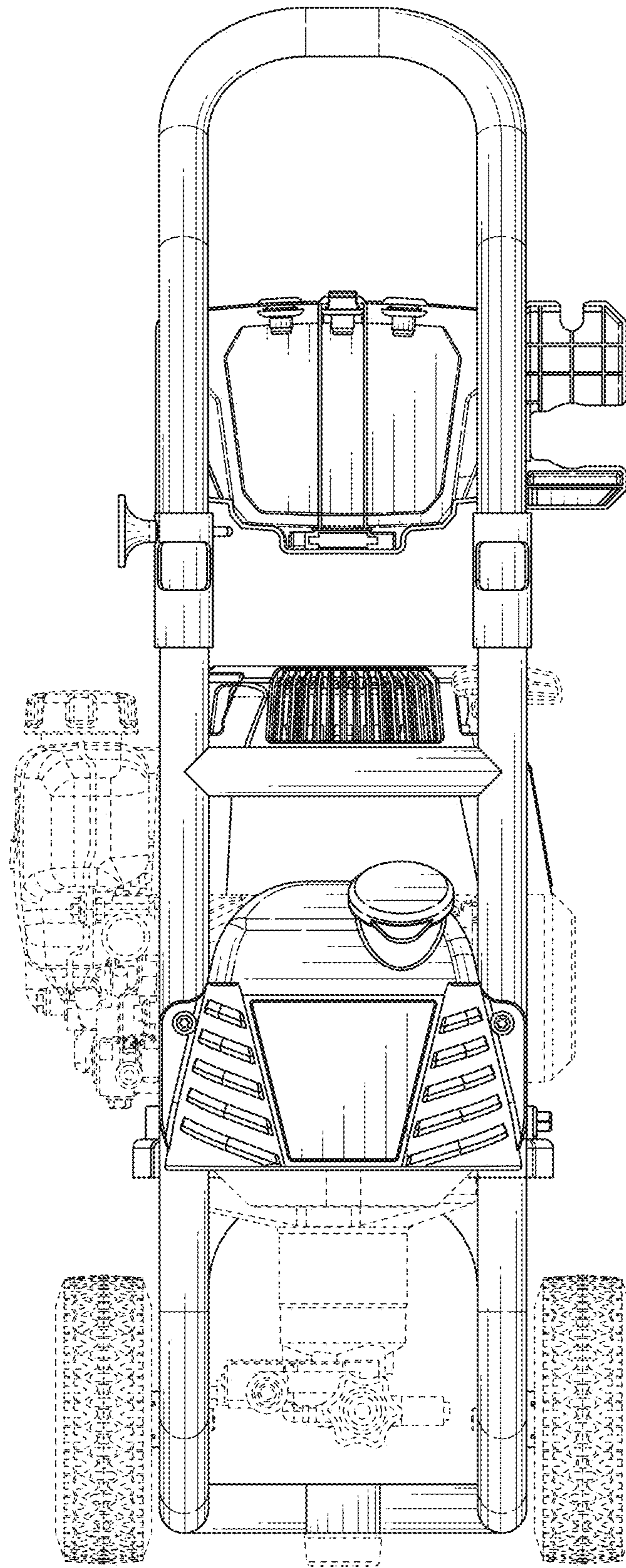


FIG. 5

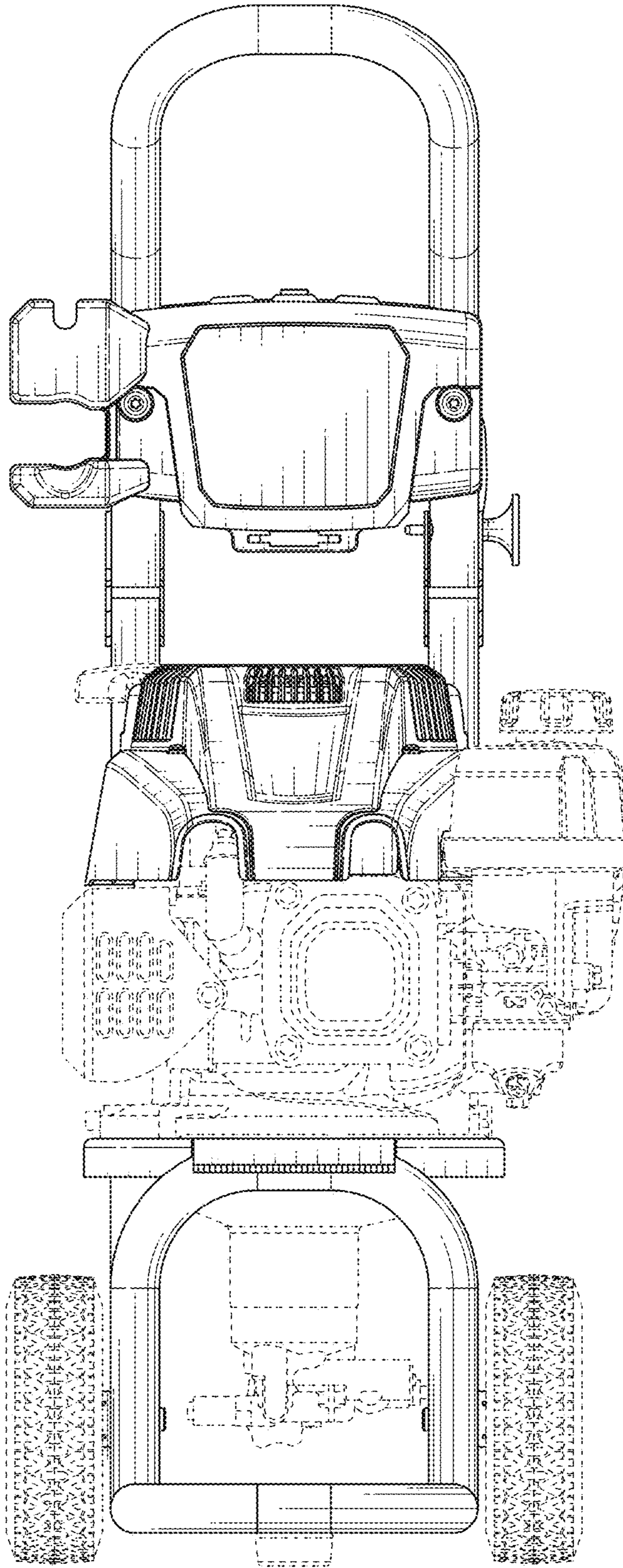


FIG. 6



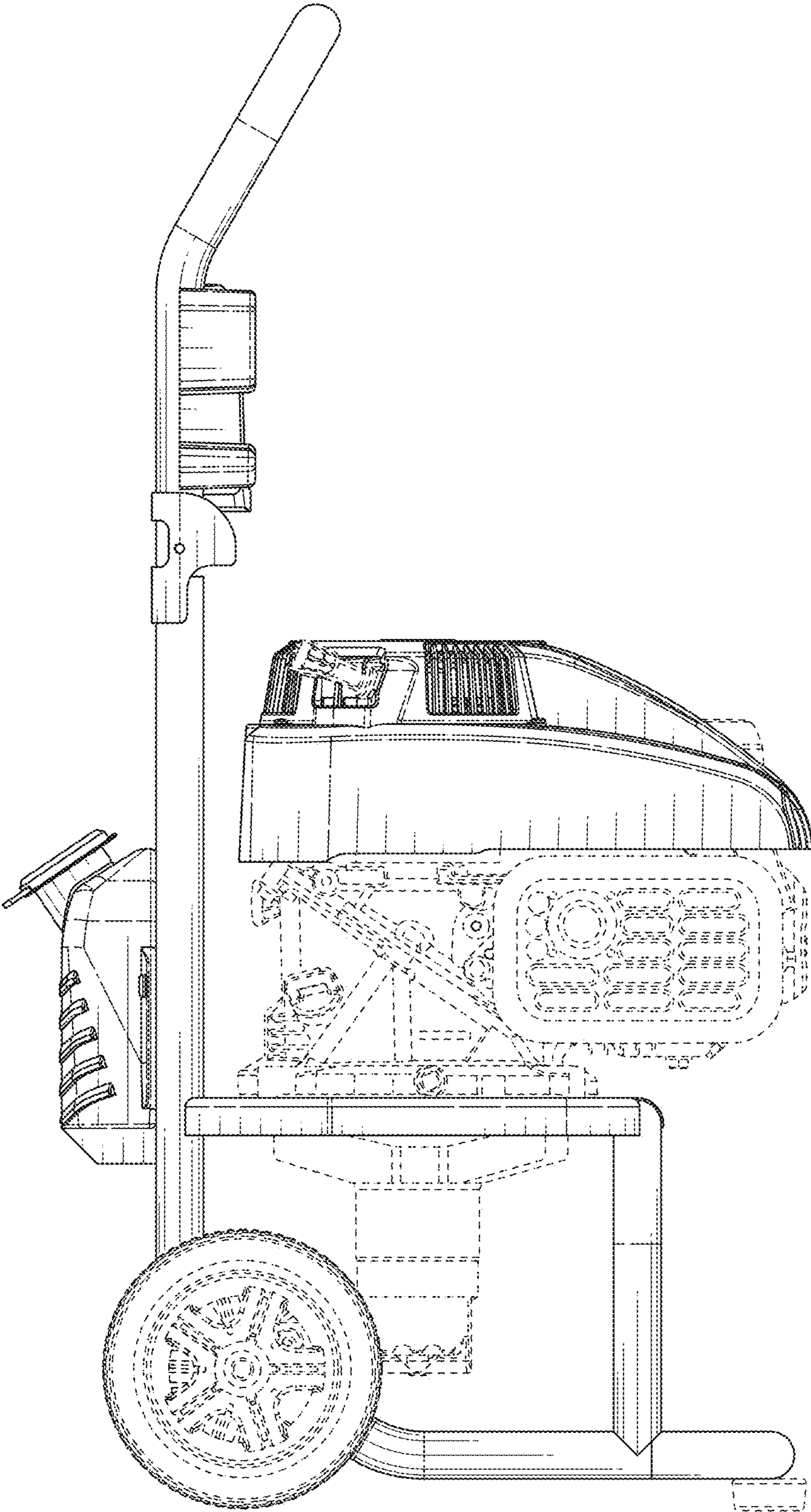


FIG. 7

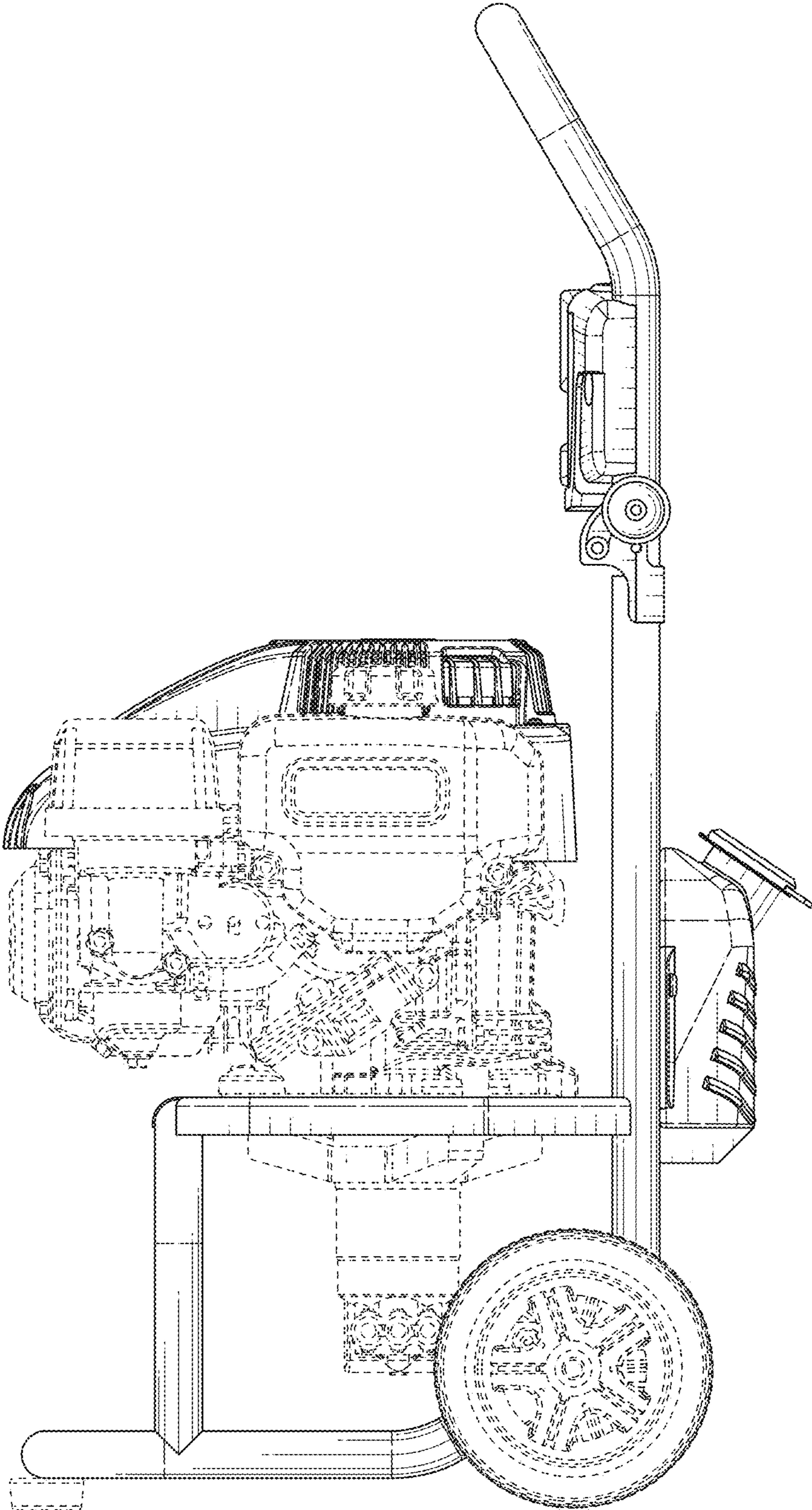


FIG. 8

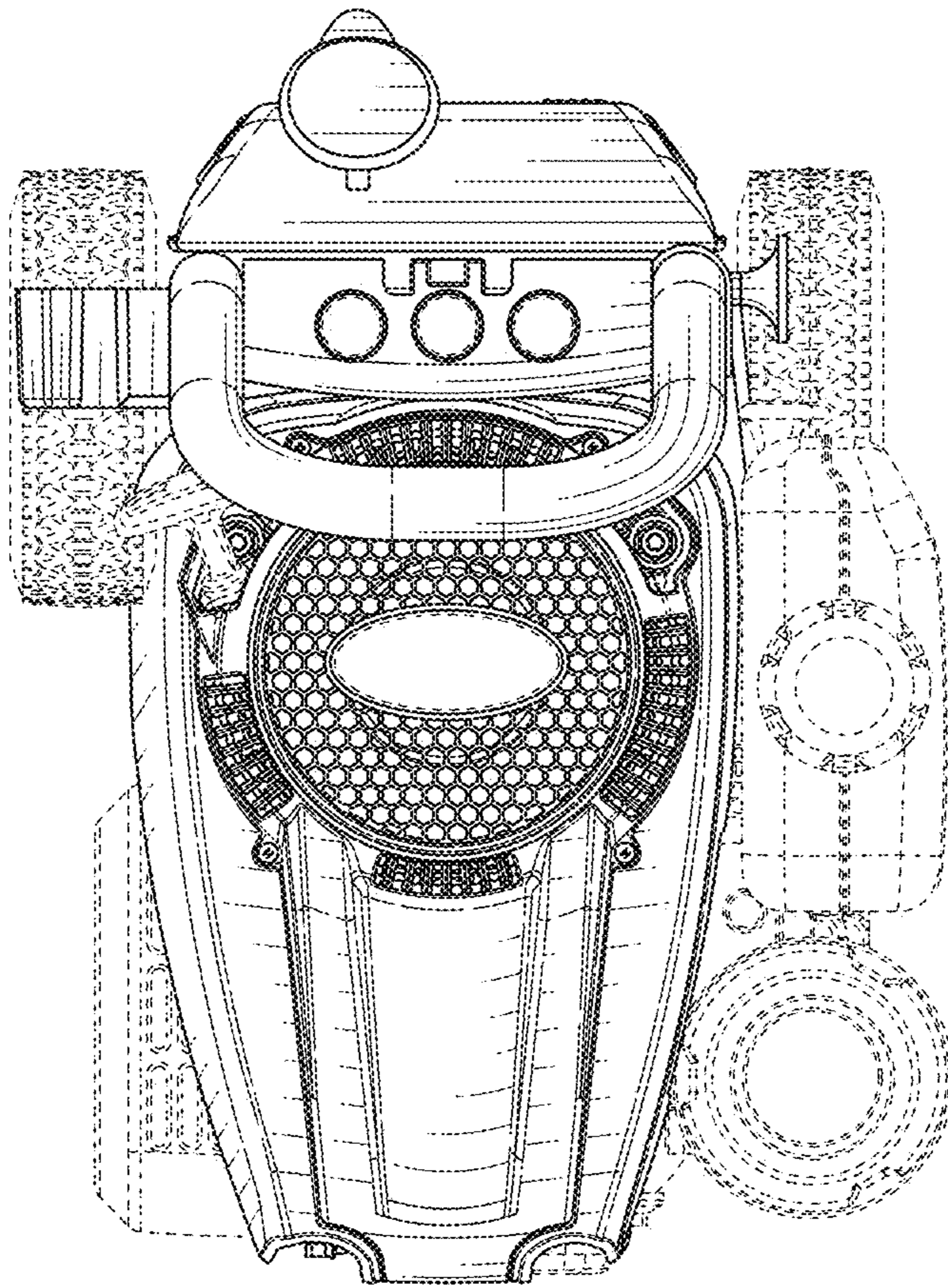


FIG. 9

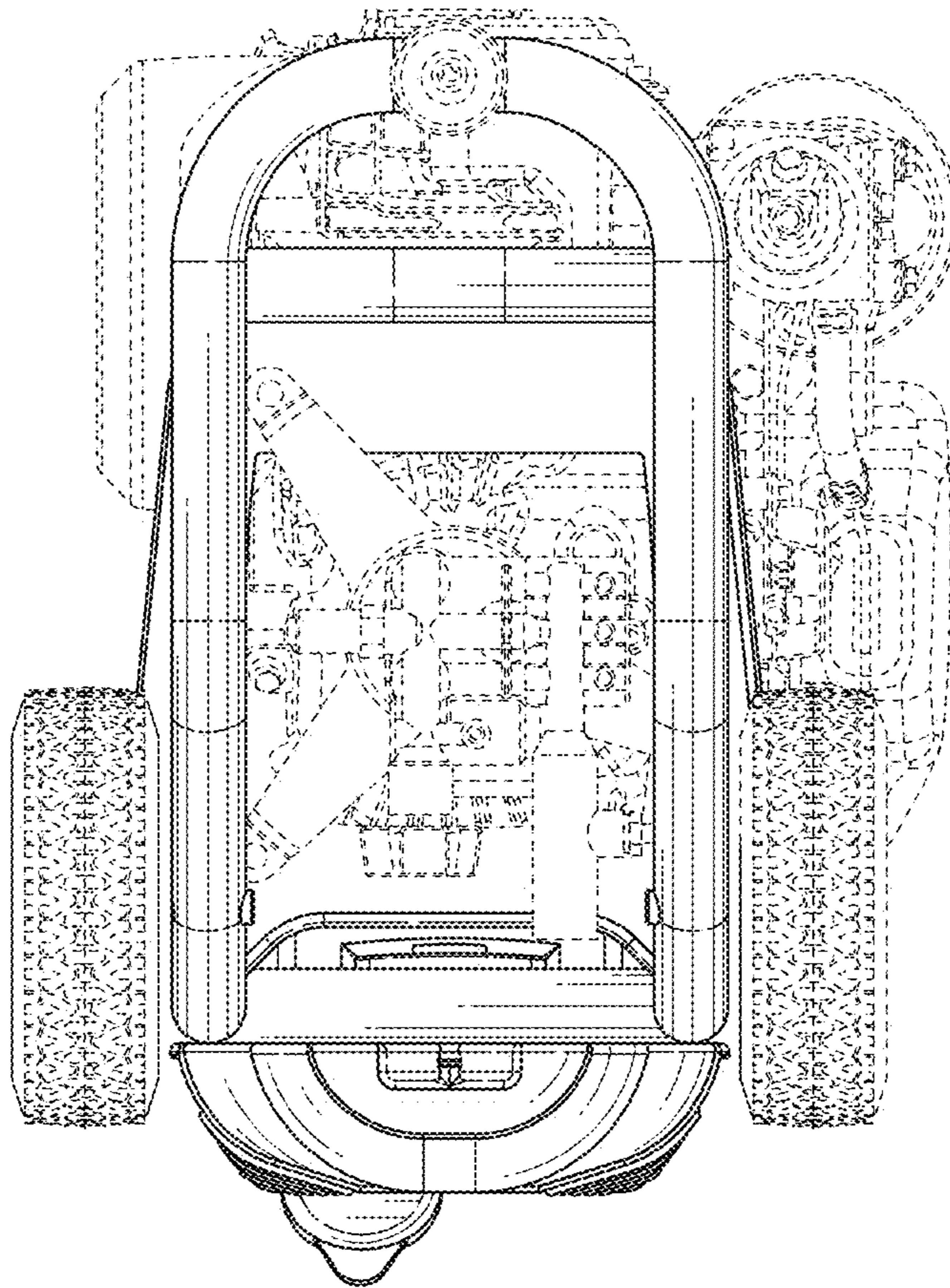


FIG. 10

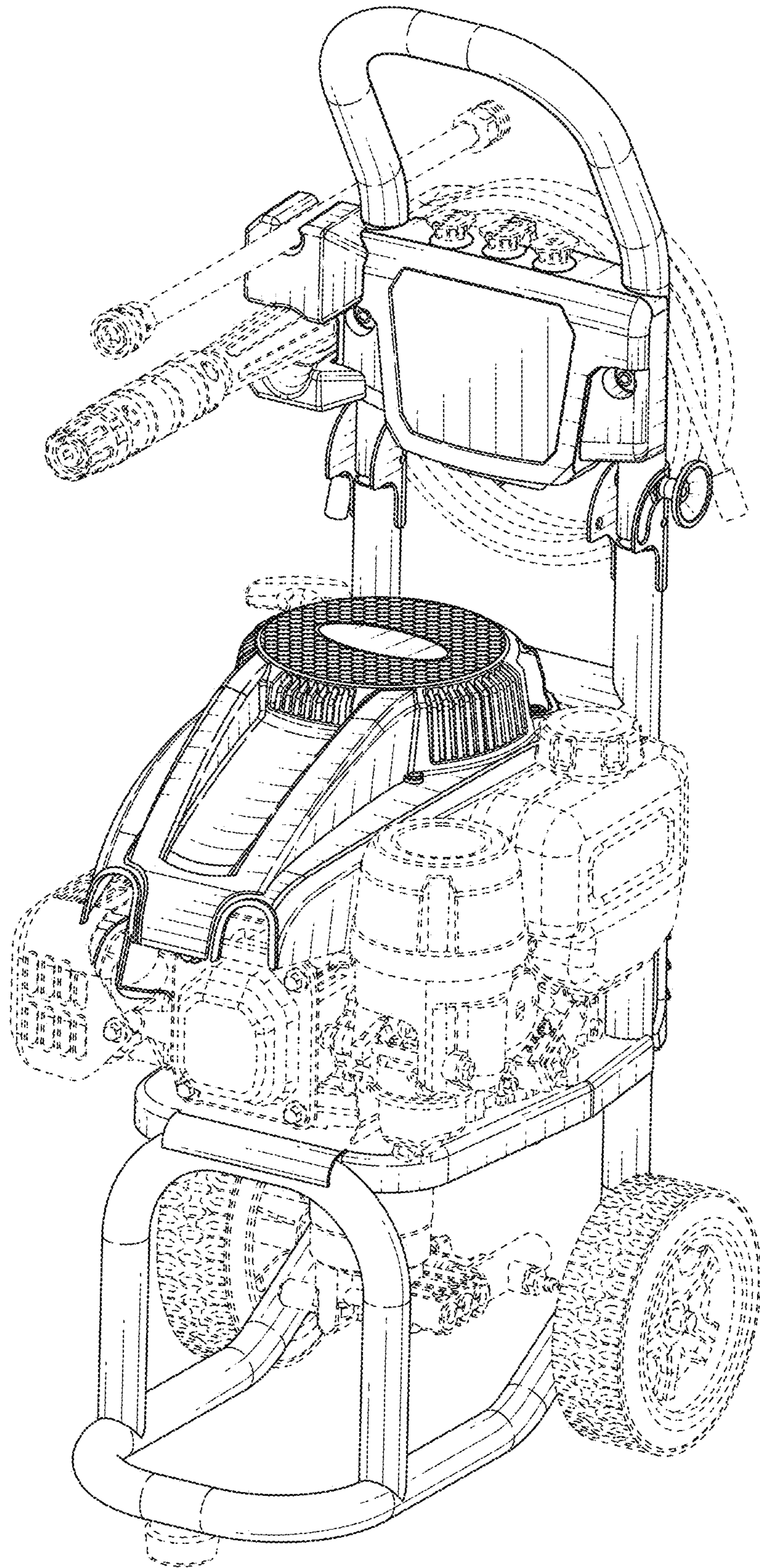


FIG. 11

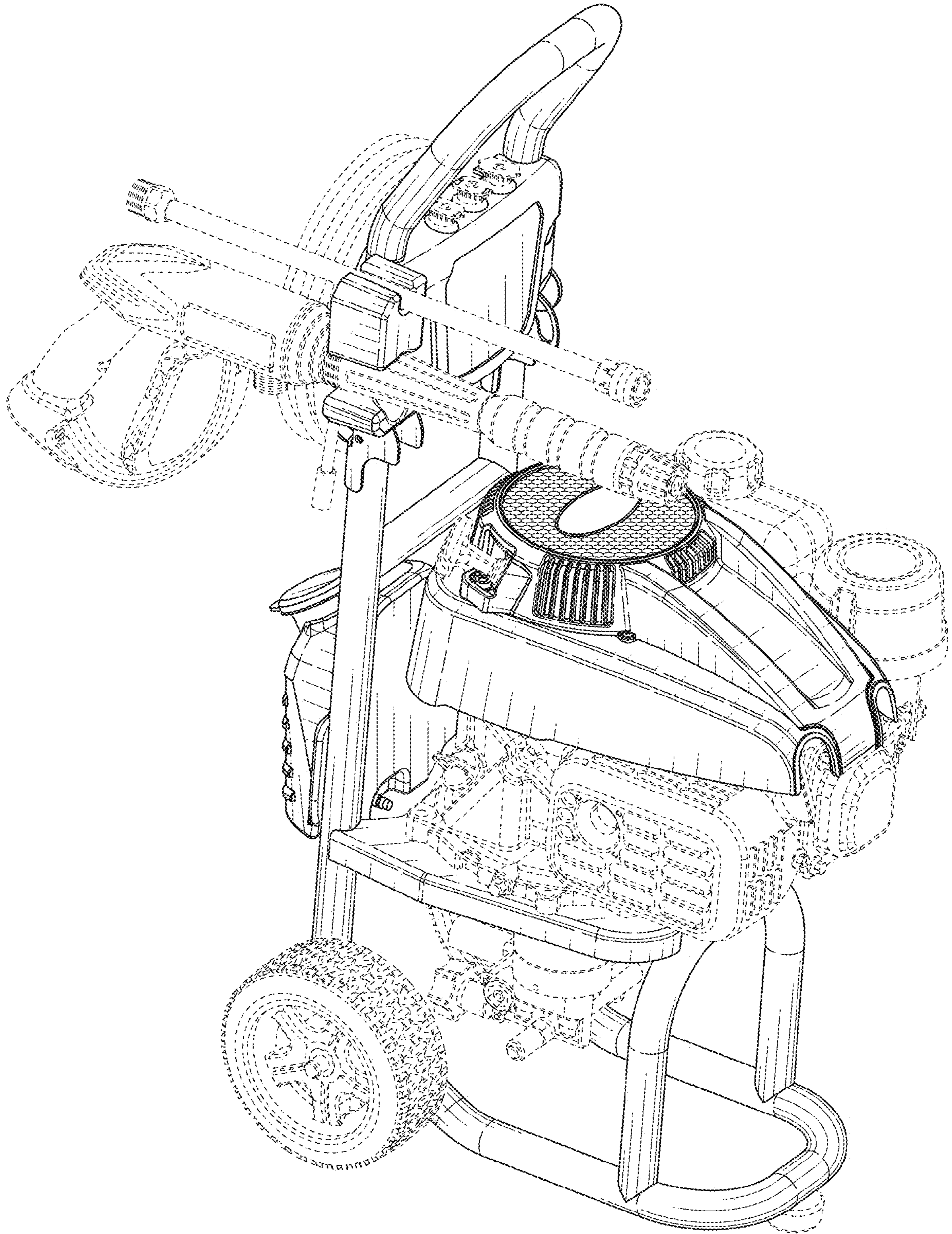


FIG. 12