



US00D925844S

(12) **United States Design Patent** (10) **Patent No.:** **US D925,844 S**
Kanchibhotla et al. (45) **Date of Patent:** **** Jul. 20, 2021**

(54) **PRESSURE WASHER**

(71) Applicant: **Harbor Freight Tools USA, INC.**,
Calabasas, CA (US)

(72) Inventors: **Srikanth Kanchibhotla**, Thousand
Oaks, CA (US); **Jeffrey N. Cutler**,
Anderson, SC (US)

(73) Assignee: **Harbor Freight Tools USA, Inc.**,
Calabasas, CA (US)

(**) Term: **15 Years**

(21) Appl. No.: **29/663,805**

(22) Filed: **Sep. 19, 2018**

(51) **LOC (13) Cl.** **15-05**

(52) **U.S. Cl.**
USPC **D32/15; D32/25**

(58) **Field of Classification Search**
USPC D32/1, 15, 16, 24, 25; D34/24; D23/225
CPC B05B 9/0855; B05B 15/32-321; B05B
239/146-147; B05B 239/525; B05B
239/532; B05B 417/36; B05B 417/364
See application file for complete search history.

D733,373 S * 6/2015 Kahan D32/16
D824,612 S * 7/2018 Alexander D32/16
D824,613 S * 7/2018 Alexander D32/16
D834,269 S * 11/2018 Masters D32/15
D854,763 S 7/2019 Alexander
D870,410 S 12/2019 Alexander
D870,411 S 12/2019 Alexander
D910,252 S * 2/2021 Schuetz D32/16
D910,942 S * 2/2021 Schuetz D32/16
(Continued)

OTHER PUBLICATIONS

Water Blaster Cart <https://www.condorpumps.co.nz/Pressure-washer-water-blaster-cart-2-wheel> (Year: 2021).
(Continued)

Primary Examiner — Michelle E. Wilson
Assistant Examiner — Richard E Yenchesky
(74) *Attorney, Agent, or Firm* — McAndrews Held & Malloy, Ltd.

(57) **CLAIM**

The ornamental design for a pressure washer, as shown and described.

DESCRIPTION

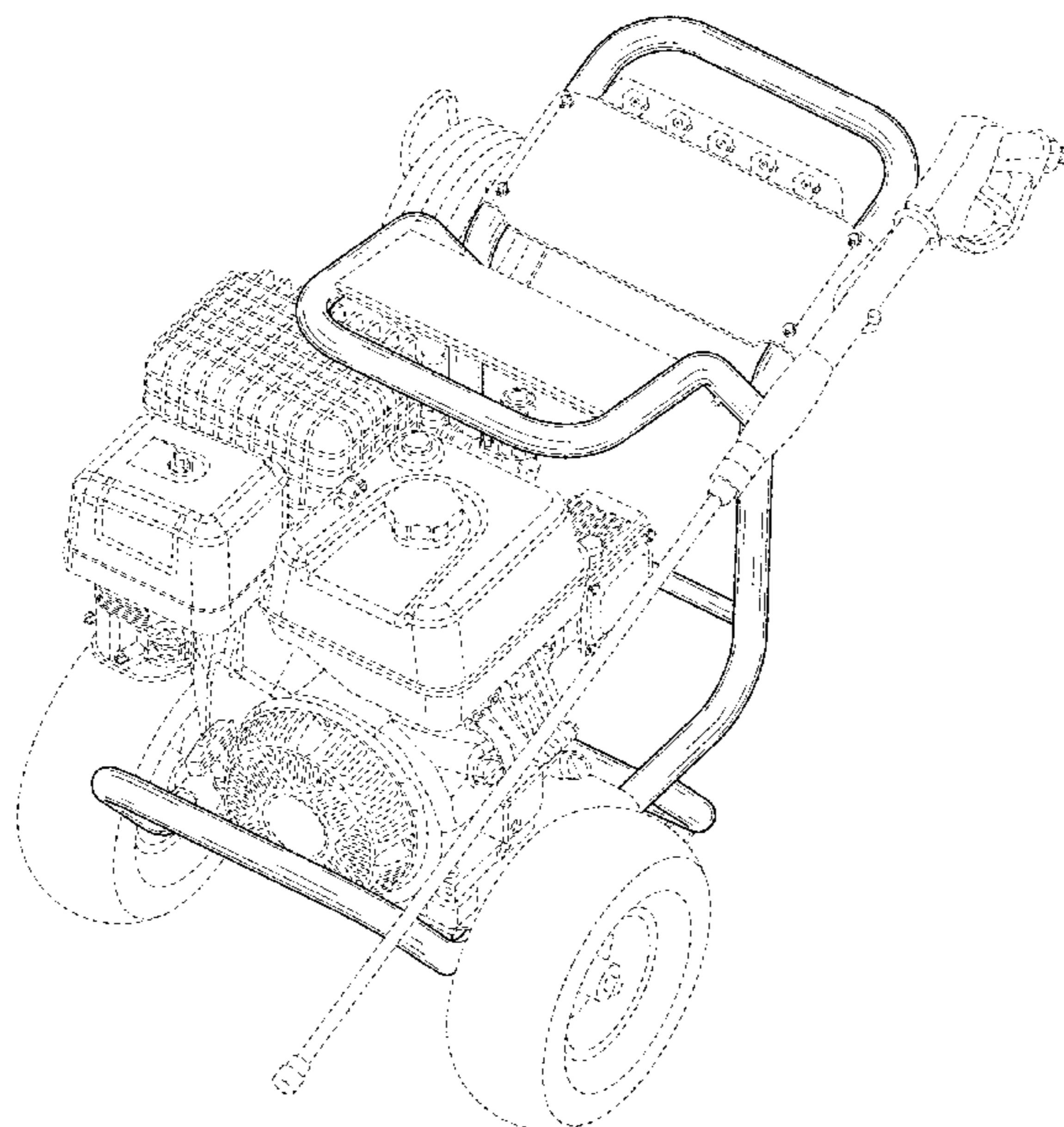
FIG. 1 is a top-front perspective view of a pressure washer showing our new design;
FIG. 2 is a front elevation view thereof;
FIG. 3 is a rear elevation thereof;
FIG. 4 is a right side elevation view thereof;
FIG. 5 is a left side elevation view thereof;
FIG. 6 is a top plan view thereof;
FIG. 7 is a bottom plan view thereof; and,
FIG. 8 is a bottom-rear perspective view thereof.
The dashed broken lines in the figures illustrate portions of the pressure washer that form no part of the claimed design.

1 Claim, 8 Drawing Sheets

(56) **References Cited**

U.S. PATENT DOCUMENTS

D458,423 S * 6/2002 Rehkugler D32/1
D459,851 S * 7/2002 Rehkugler D34/24
D579,612 S * 10/2008 Rutkowski D32/25
D590,110 S * 4/2009 Hawkins D32/25
D596,817 S * 7/2009 Glass D32/25
D633,263 S * 2/2011 Fay D32/15
D634,083 S * 3/2011 Fay D32/15
D639,001 S * 5/2011 Alexander D32/15
D648,082 S * 11/2011 Alexander D32/15
D688,841 S * 8/2013 van Deursen D32/25
D702,900 S * 4/2014 Kahan D32/16
D732,764 S * 6/2015 Kennard D32/15



(56)

References Cited

U.S. PATENT DOCUMENTS

D911,640 S * 2/2021 Schuetz D32/16
2006/0102745 A1 * 5/2006 Dexter B05B 9/0855
239/146

OTHER PUBLICATIONS

Water Pressure Cart <https://tts-products.com/karcher-hd-2-3-24-p-liberty-cold-water-pressure-washer-liberty-cart-design-2-3-gpm-2-400-operating-pressure-black-chrome.html> (Year: 2018).*

Cold water pressure washer <https://www.zoro.com/dewalt-light-duty-1500-psi-18-gpm-cold-water-electric-pressure-washer-dxpw1500e/i/G7638486/> (Year: 2018).*

* cited by examiner

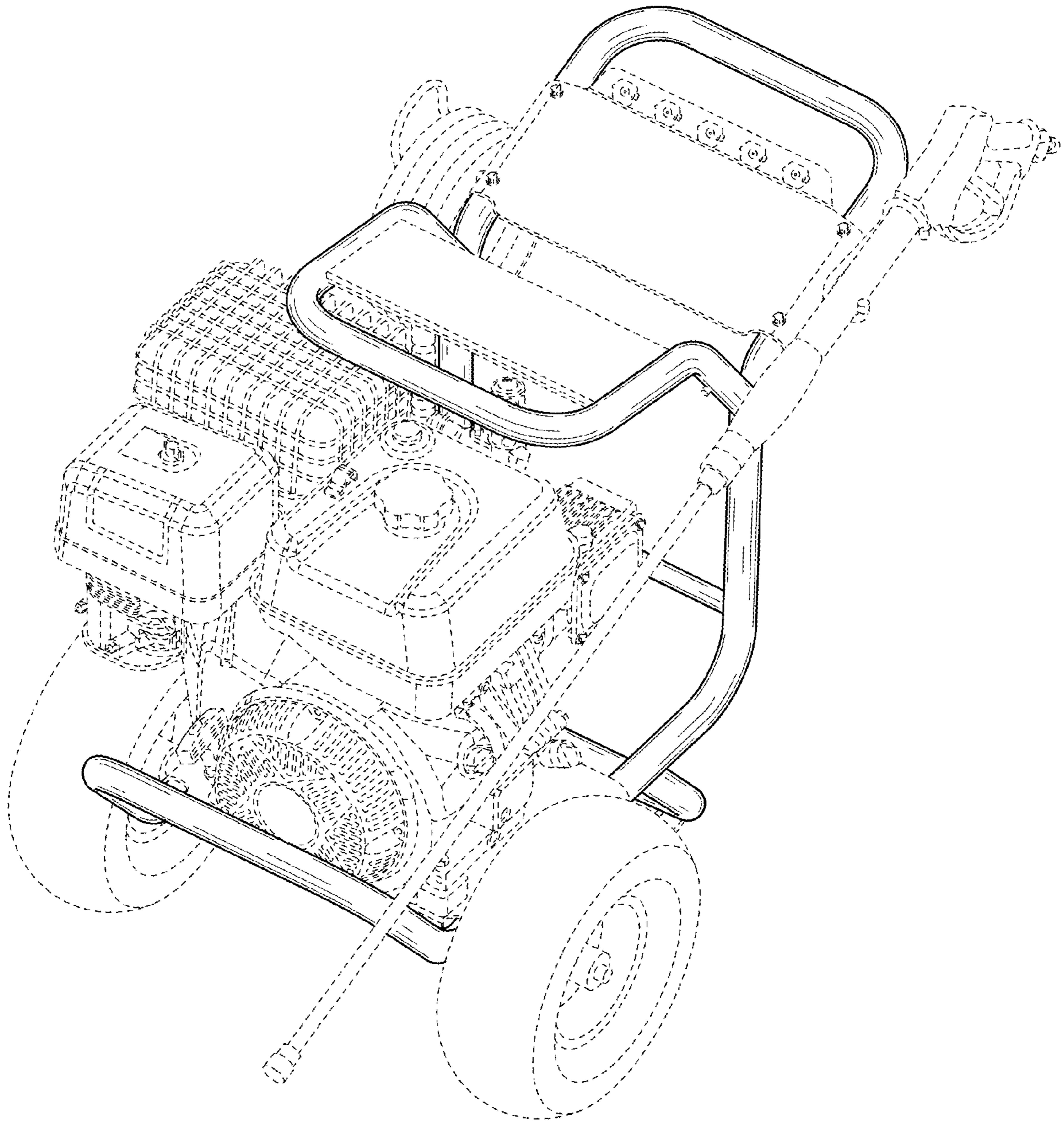


FIG. 1

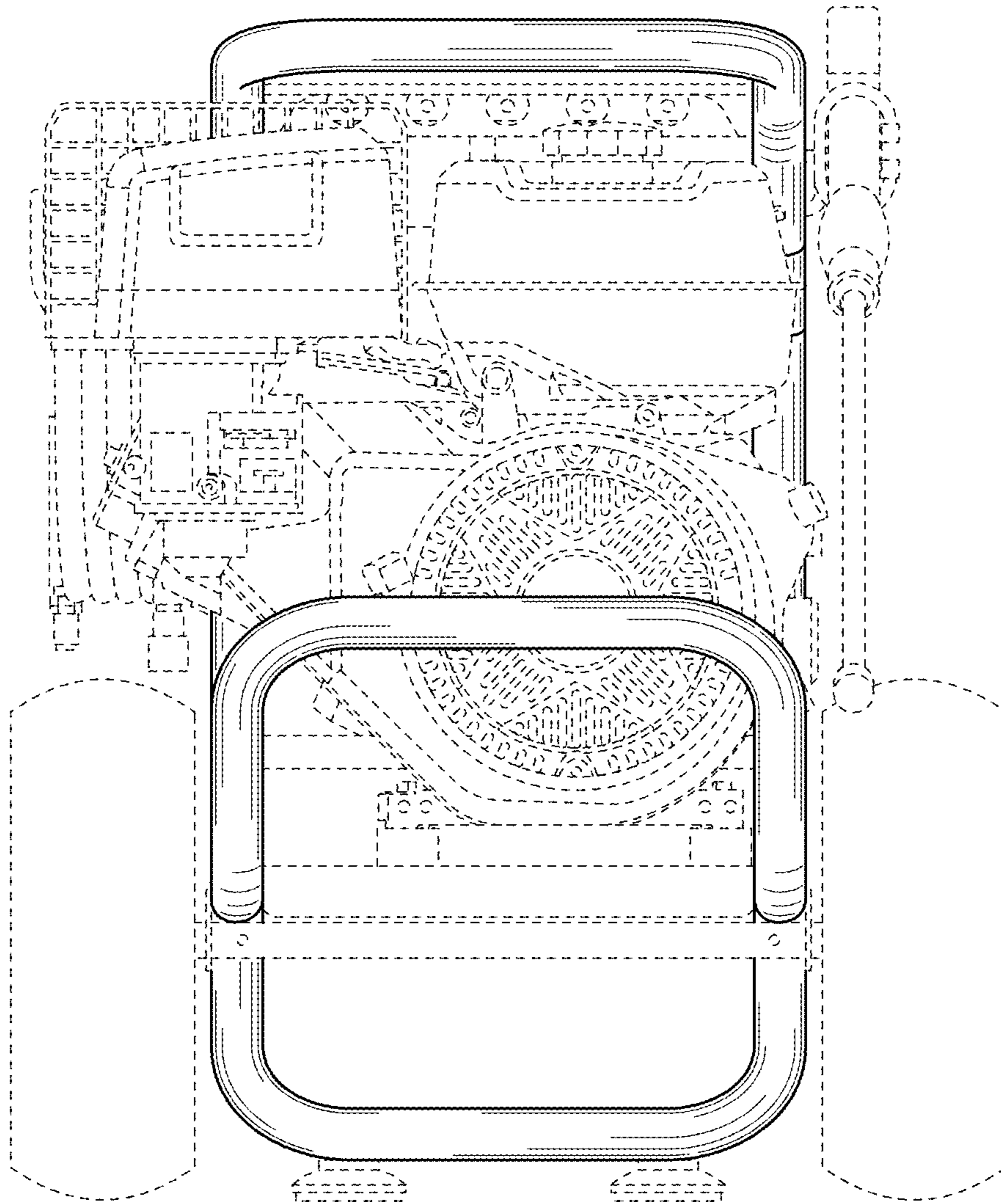


FIG. 2

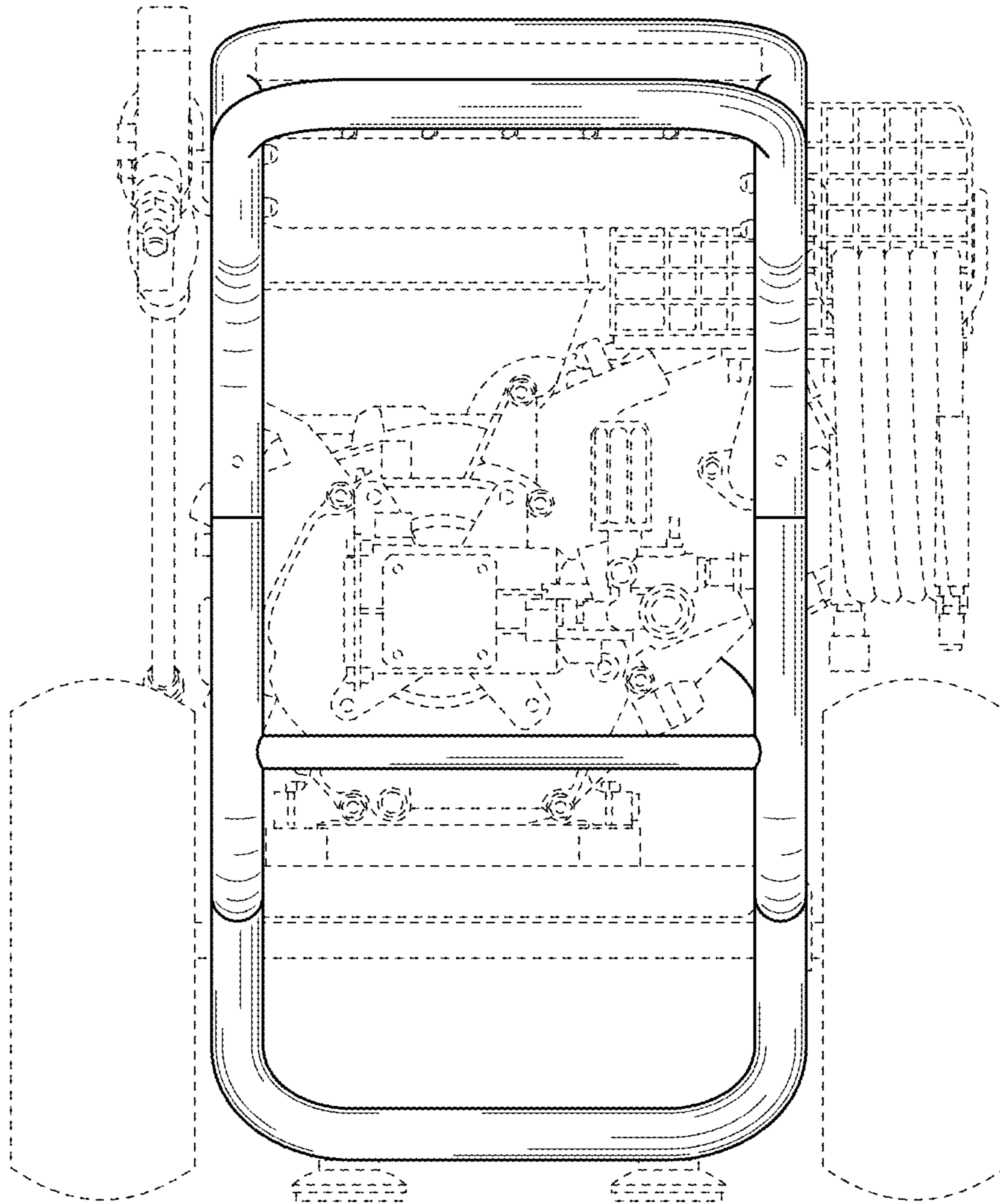


FIG. 3

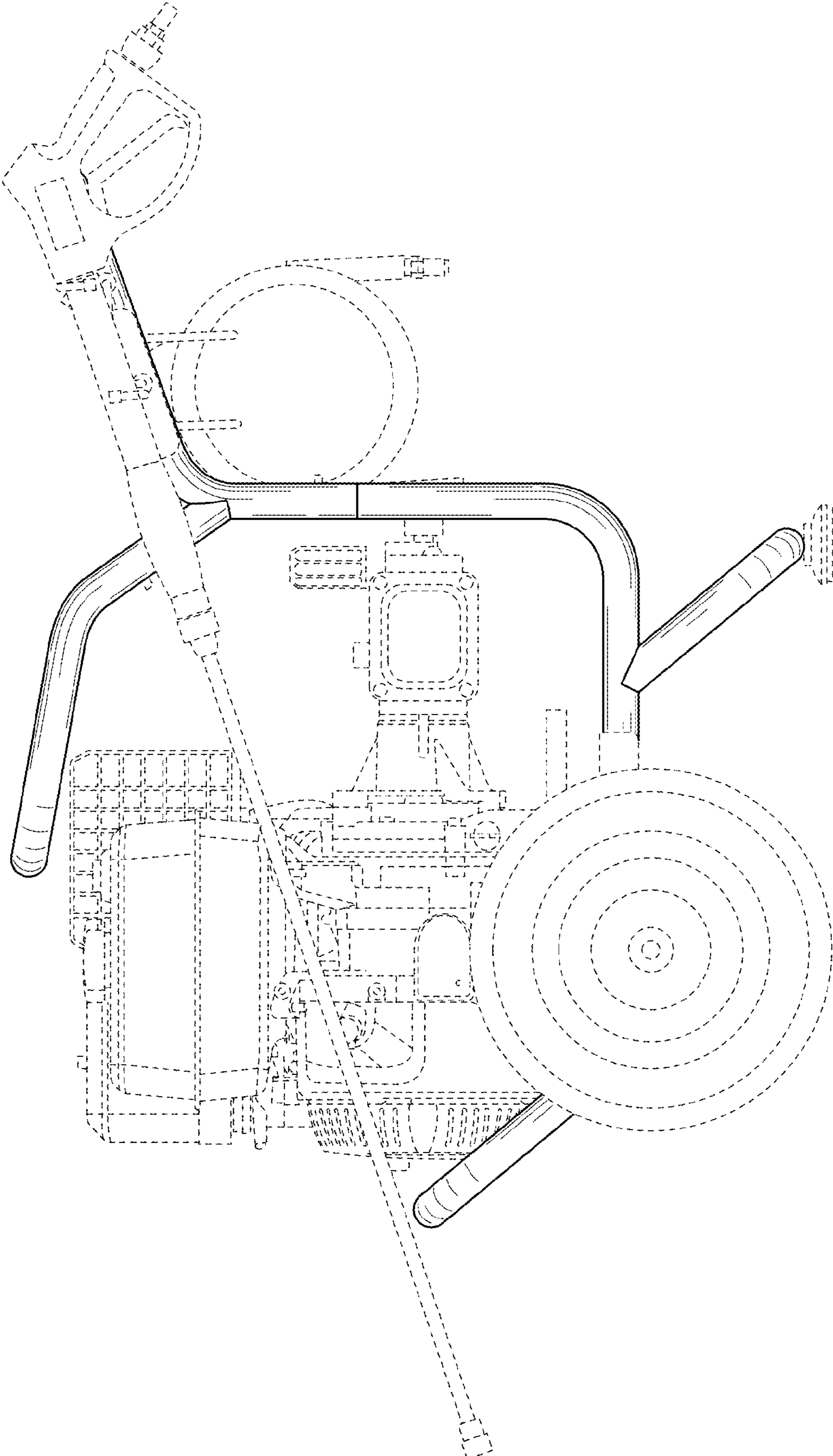


FIG. 4

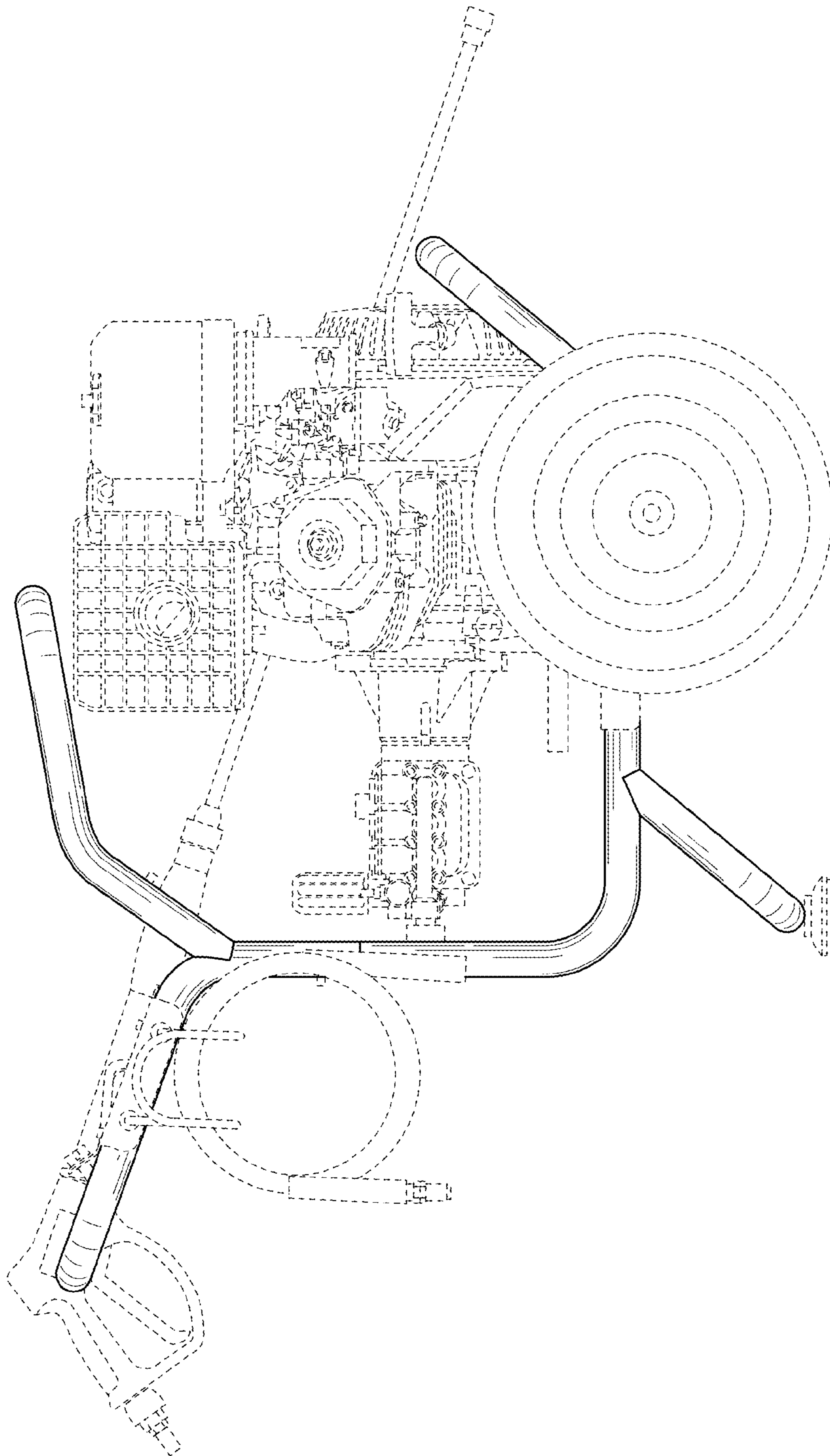


FIG. 5

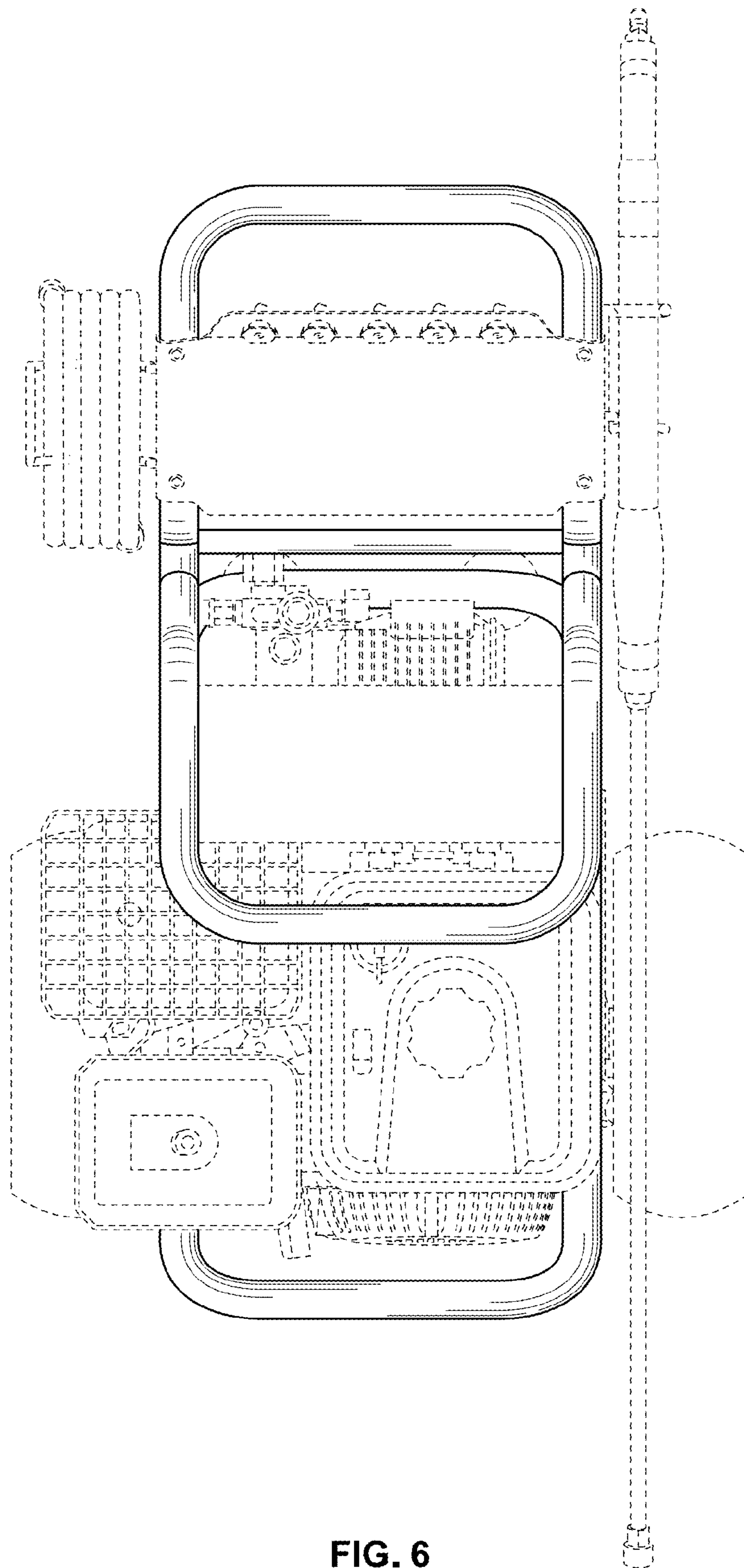


FIG. 6

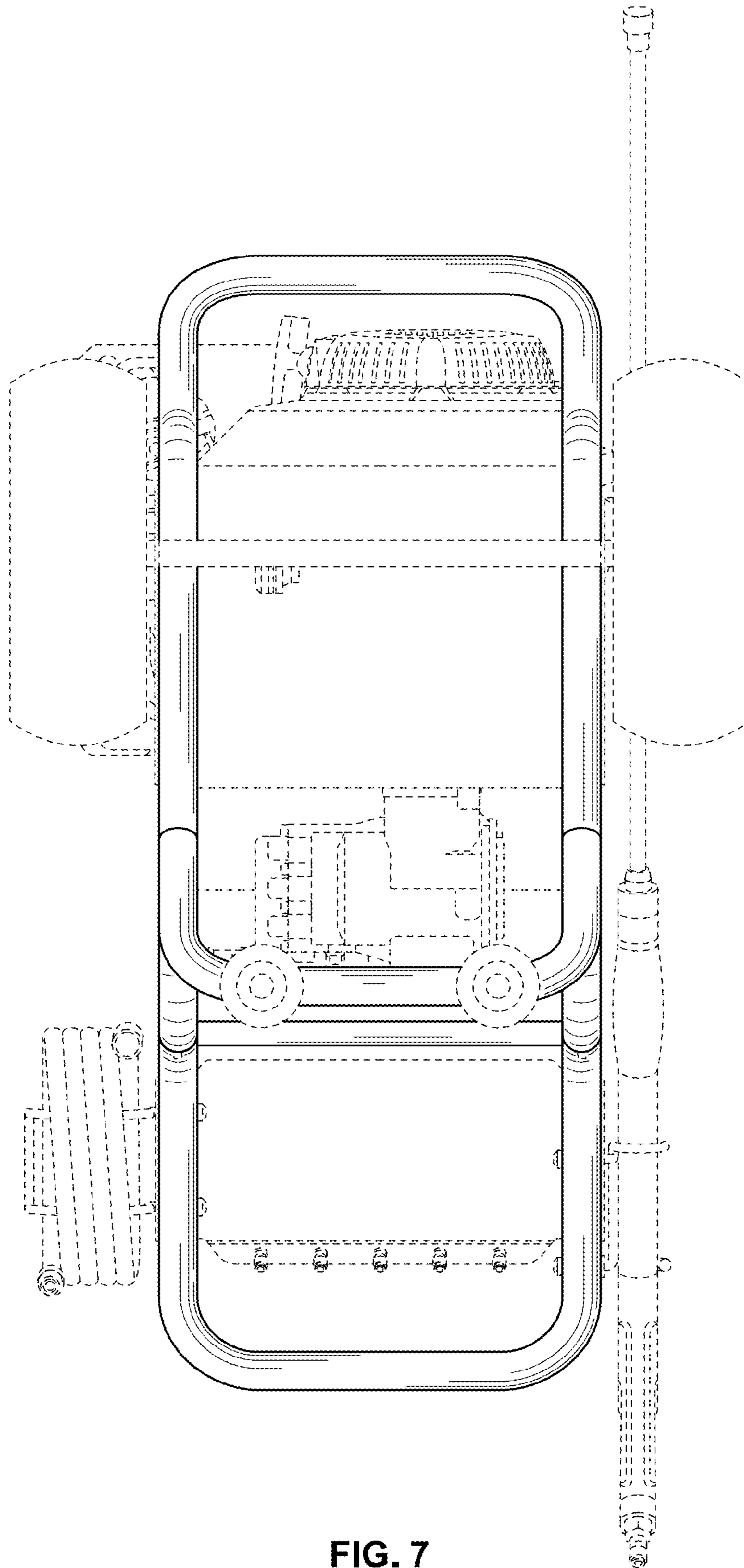


FIG. 7

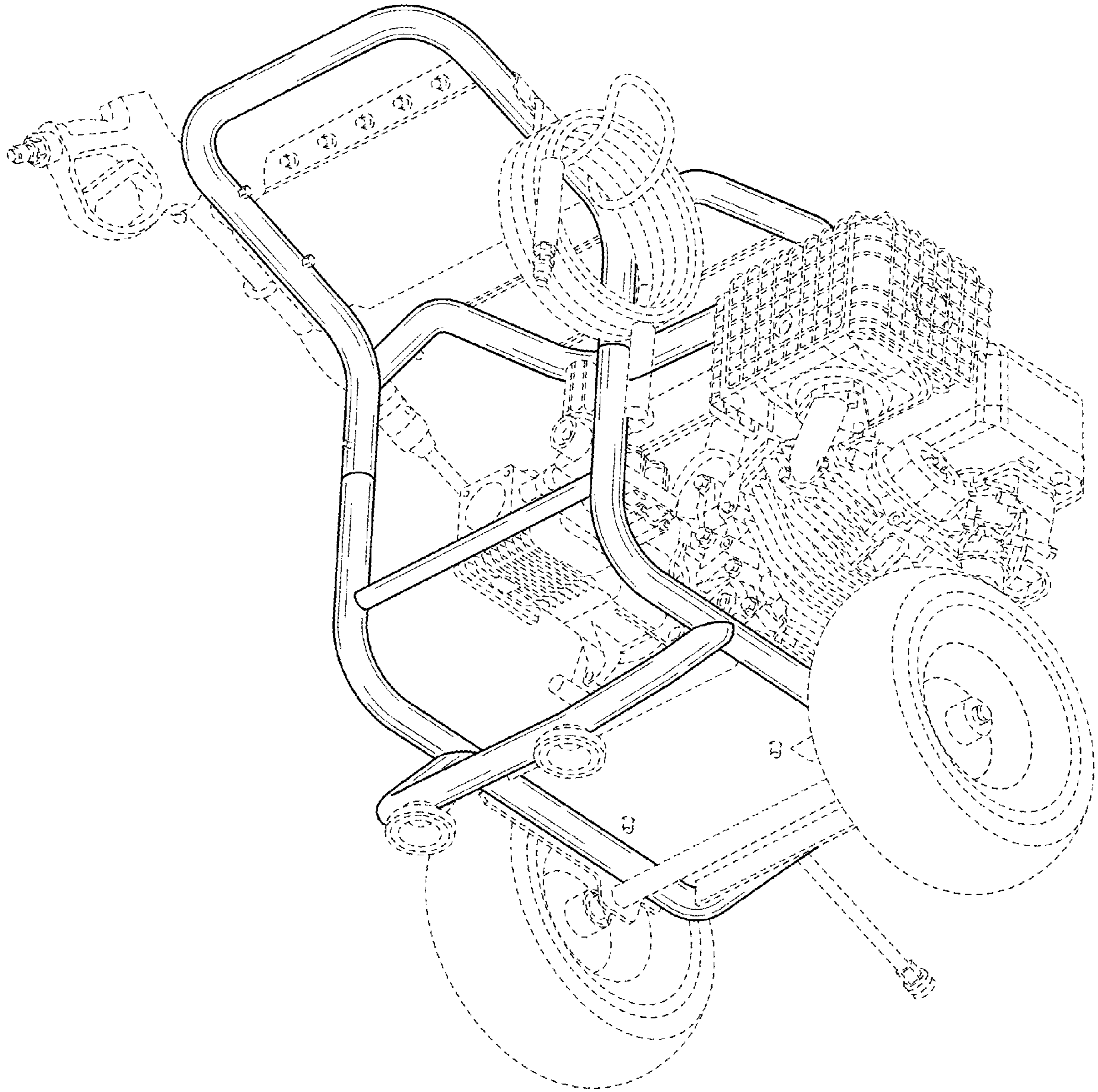


FIG. 8