



US00D925842S

(12) **United States Design Patent**
Jeon et al.

(10) **Patent No.:** **US D925,842 S**

(45) **Date of Patent:** **** Jul. 20, 2021**

(54) **PET BATH**

(71) Applicants: **Jieun Jeon**, Downey, CA (US); **Sung Won Suh**, Downey, CA (US)

(72) Inventors: **Jieun Jeon**, Downey, CA (US); **Sung Won Suh**, Downey, CA (US)

(**) Term: **15 Years**

(21) Appl. No.: **29/642,909**

(22) Filed: **Apr. 3, 2018**

(51) **LOC (13) Cl.** **30-99**

(52) **U.S. Cl.**
USPC **D30/158**

(58) **Field of Classification Search**
USPC D30/158, 159, 199; D23/275-278, 303;
119/600, 603, 604, 606, 668, 671, 673,
119/677, 678
CPC A01K 13/00; A01K 13/001
See application file for complete search history.

(56) **References Cited**

U.S. PATENT DOCUMENTS

D282,498 S *	2/1986	Hasse	D23/277
D311,794 S *	10/1990	Barone	D30/158
5,678,511 A *	10/1997	Day	A01K 13/001
				119/671
D387,173 S *	12/1997	Jeans	D23/284
5,711,252 A *	1/1998	Brandolino	A01K 13/001
				119/498
D404,853 S *	1/1999	Foster	D23/278

D598,078 S *	8/2009	Lutz	D23/278
D598,079 S *	8/2009	Lutz	D23/278
D605,818 S *	12/2009	Farley	D30/158
D707,801 S *	6/2014	OHara	D23/280.4
D769,550 S *	10/2016	Oxboel	D30/158
D770,694 S *	11/2016	Beilinson	D30/158
D867,552 S *	11/2019	Kiukas	D23/277
2011/0297103 A1 *	12/2011	Iou	A01K 13/001
				119/676
2015/0366163 A1 *	12/2015	Carter	A01K 13/001
				119/678
2016/0128302 A1 *	5/2016	Stauber	A01K 13/001
				119/671

* cited by examiner

Primary Examiner — Michael C Stout
Assistant Examiner — Katrina N Gonzalez
(74) *Attorney, Agent, or Firm* — Tsircou Law, PC

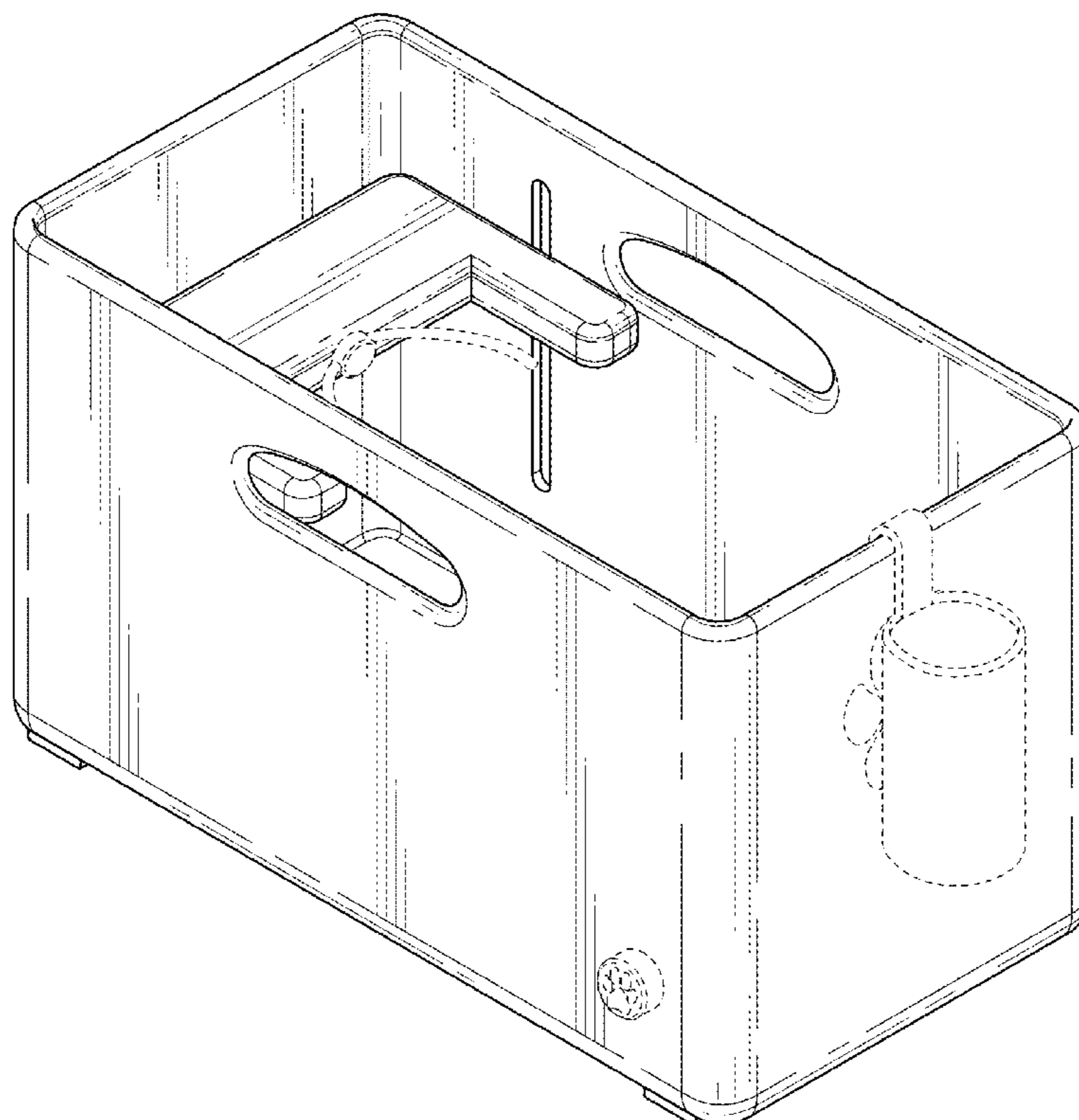
(57) **CLAIM**

We claim the ornamental design for a pet bath, as shown and described.

DESCRIPTION

FIG. 1 a perspective view of a pet bath of the new design. FIG. 2 is a first side view of the pet bath of FIG. 1. FIG. 3 is a second side view of the pet bath of FIG. 1. FIG. 4 is a front elevational view of the pet bath of FIG. 1. FIG. 5 is a back elevational view of the pet bath of FIG. 1. FIG. 6 is a top view of the pet bath of FIG. 1; and, FIG. 7 is a bottom view of the pet bath of FIG. 1. The broken lines illustrate portions of the pet bath that form no part of the claimed design.

1 Claim, 6 Drawing Sheets



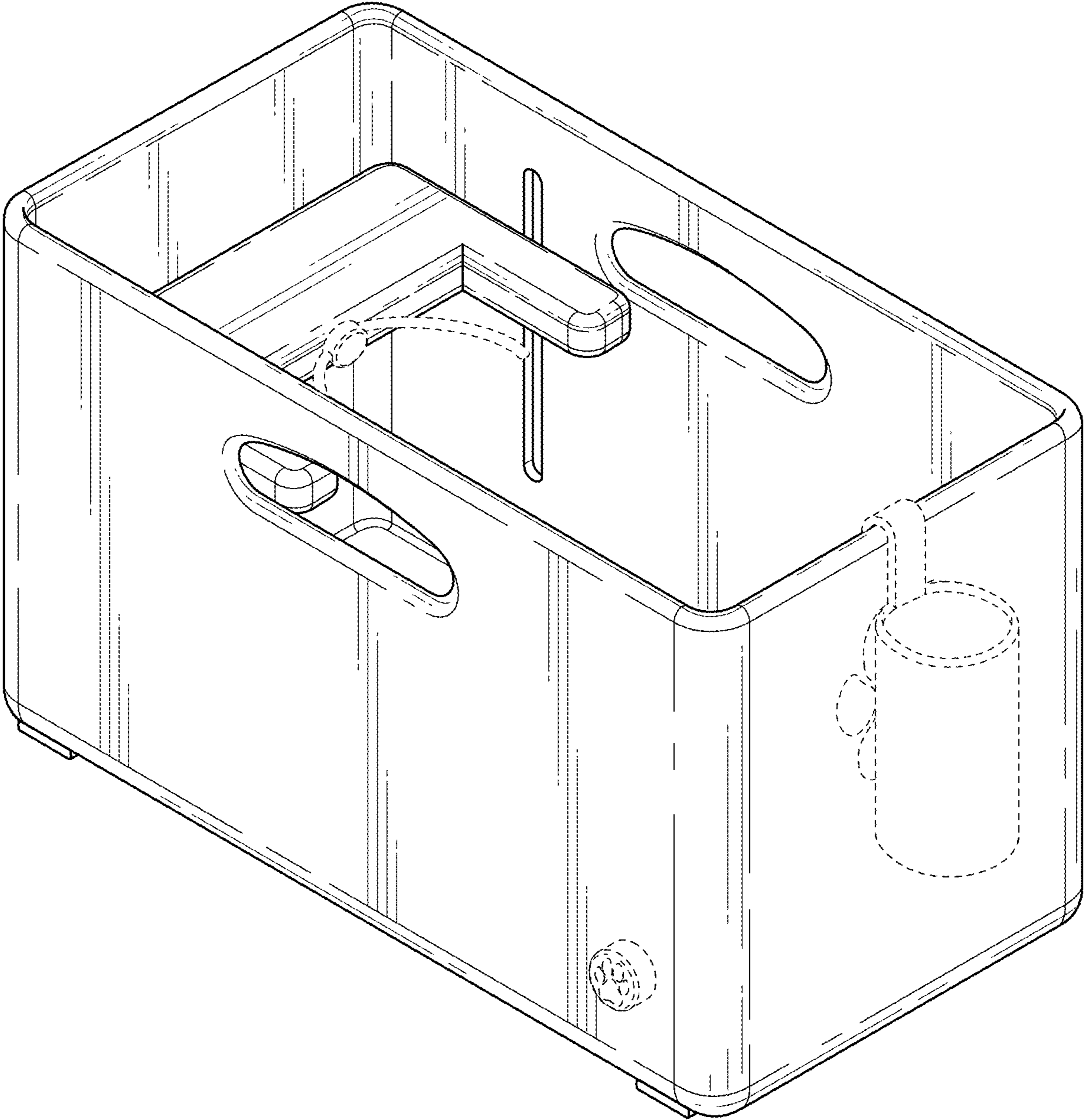


FIG. 1

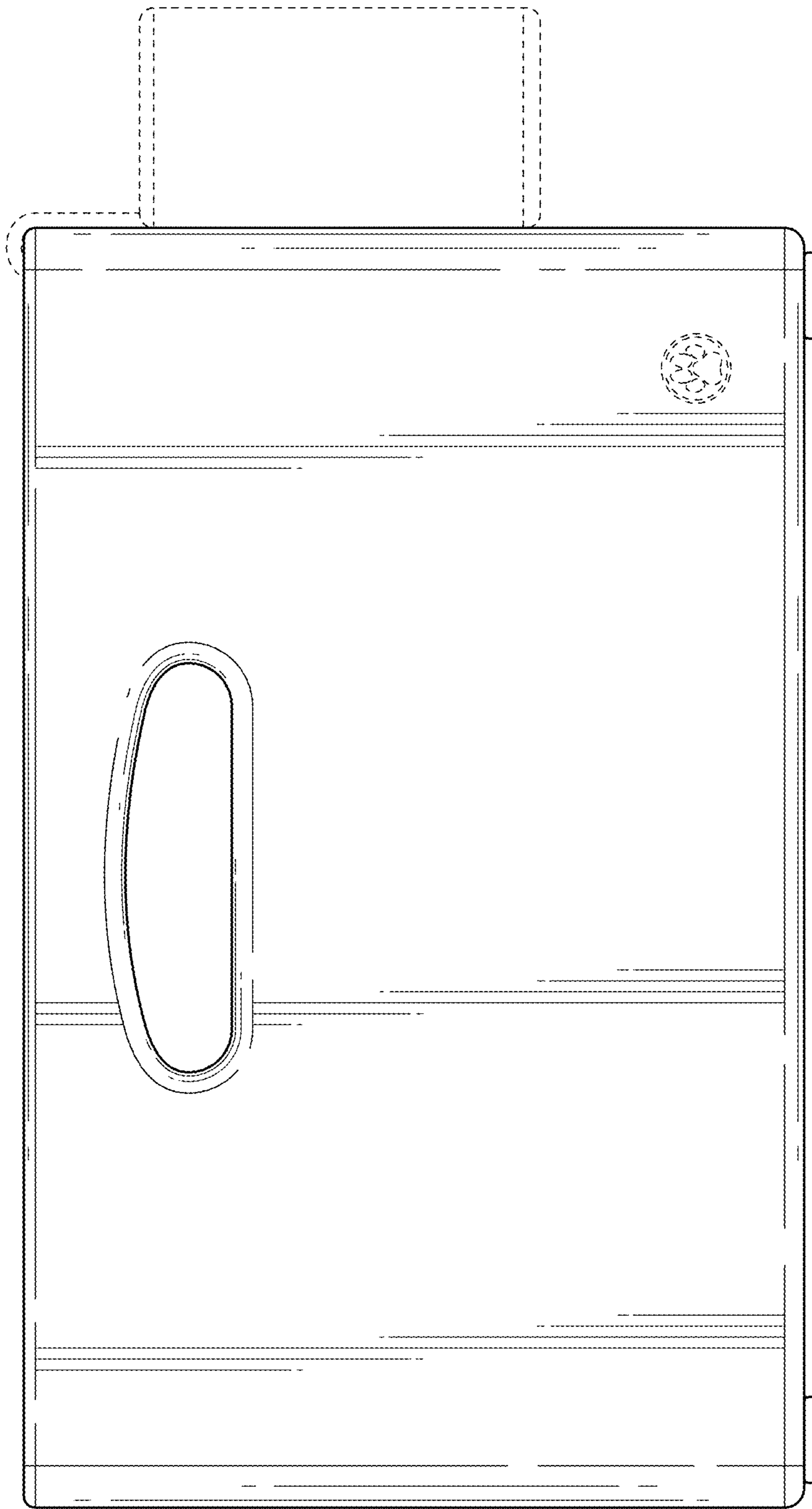


FIG. 2

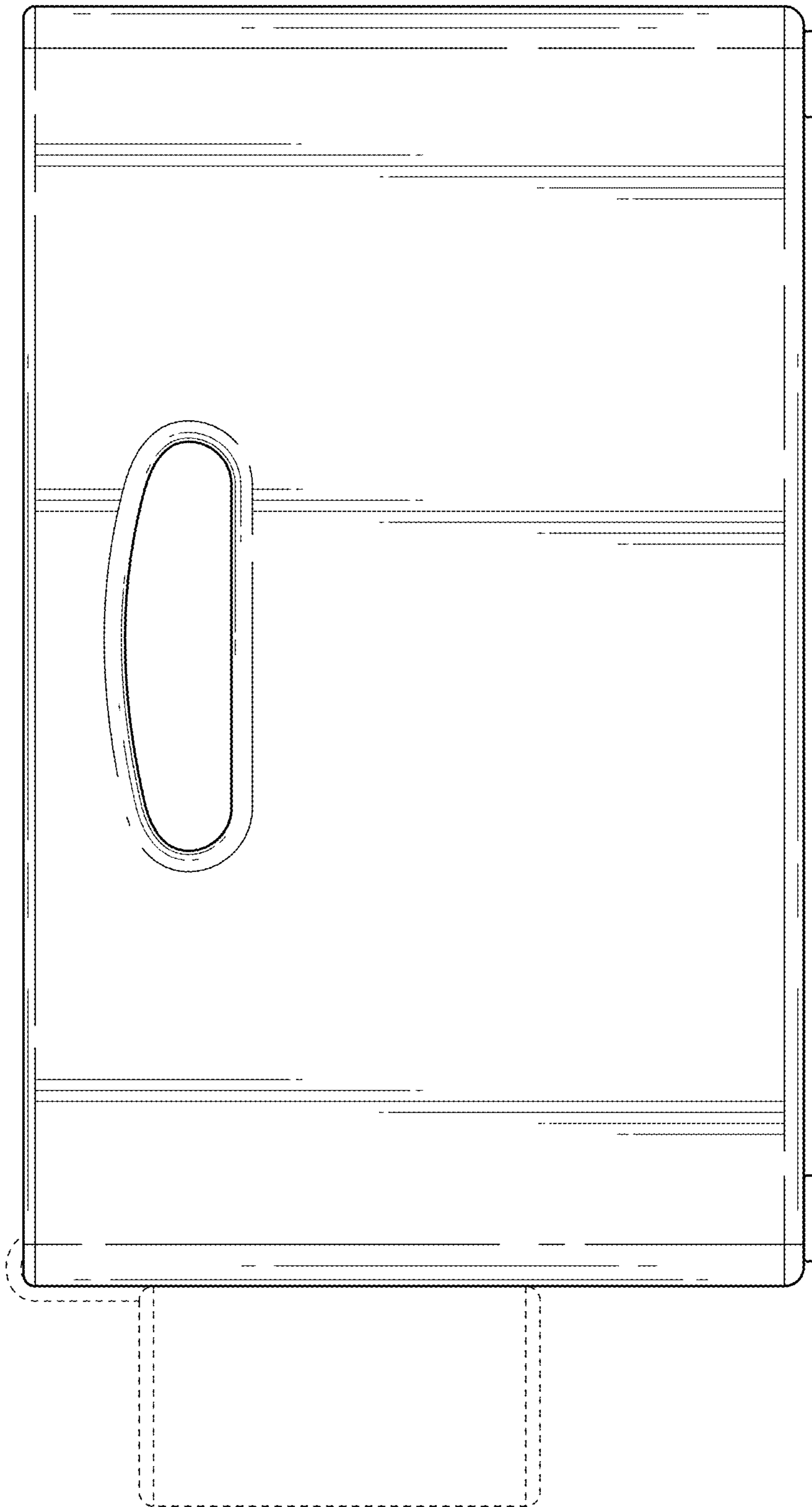


FIG. 3

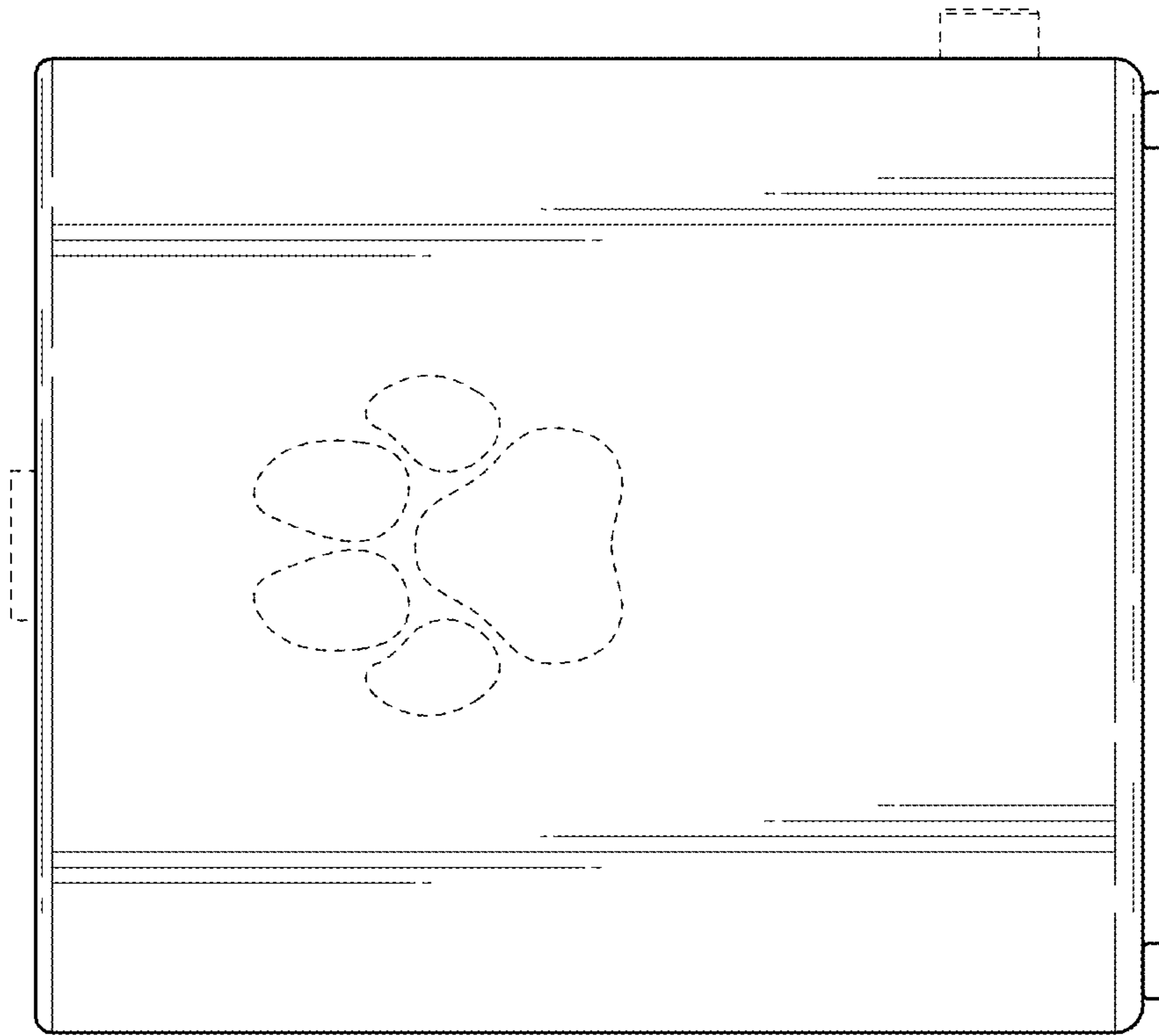


FIG. 4

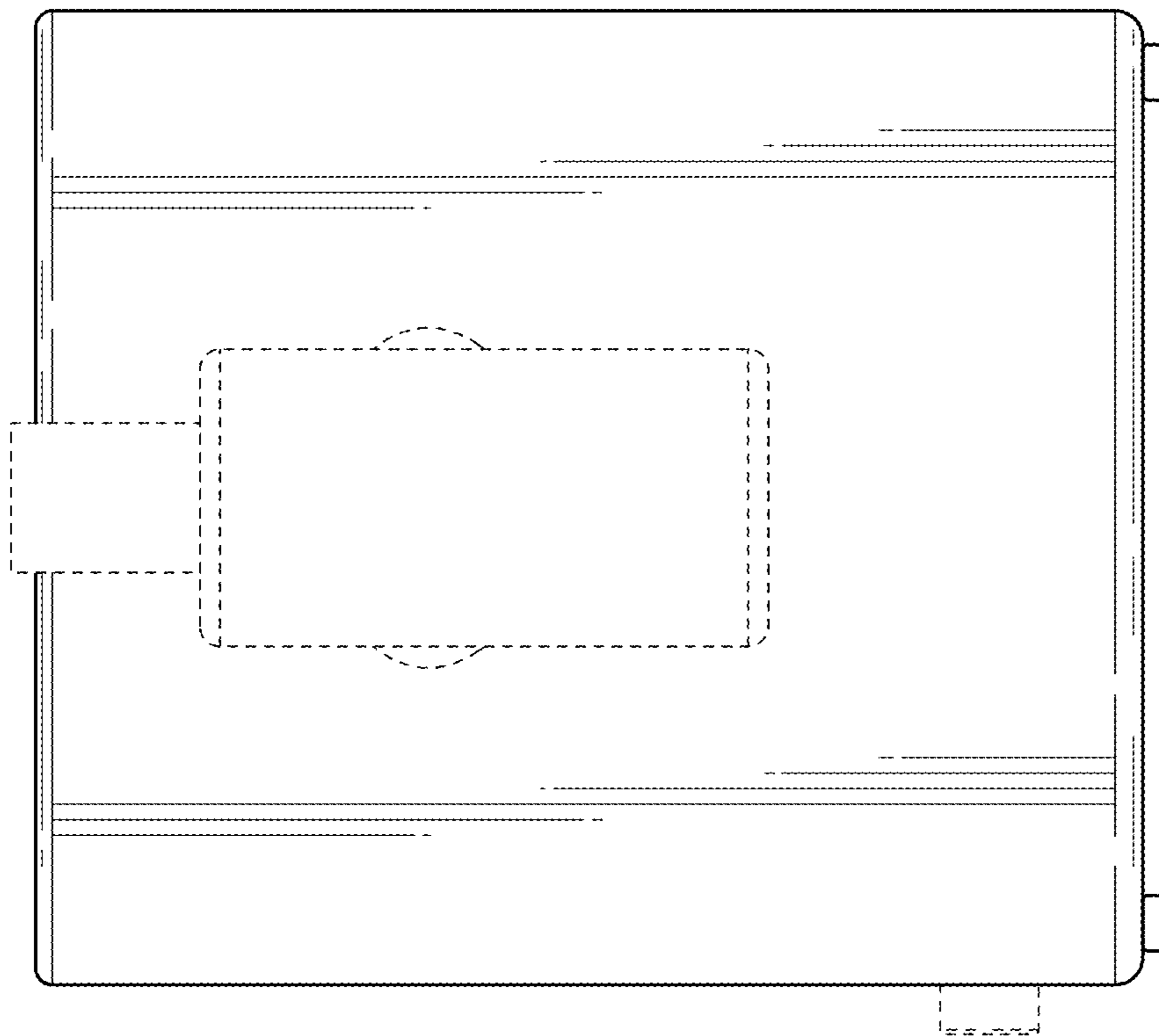


FIG. 5

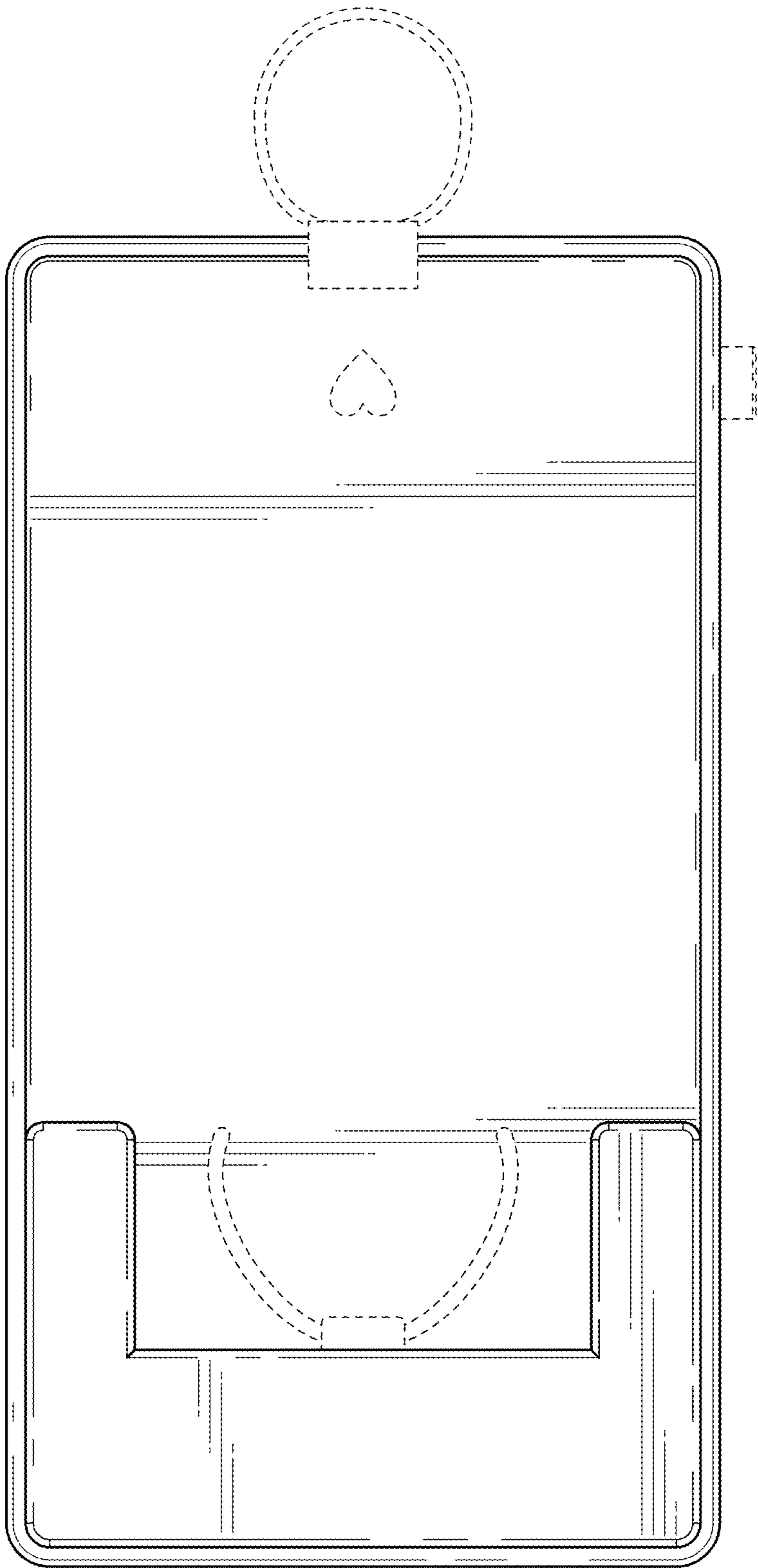


FIG. 6

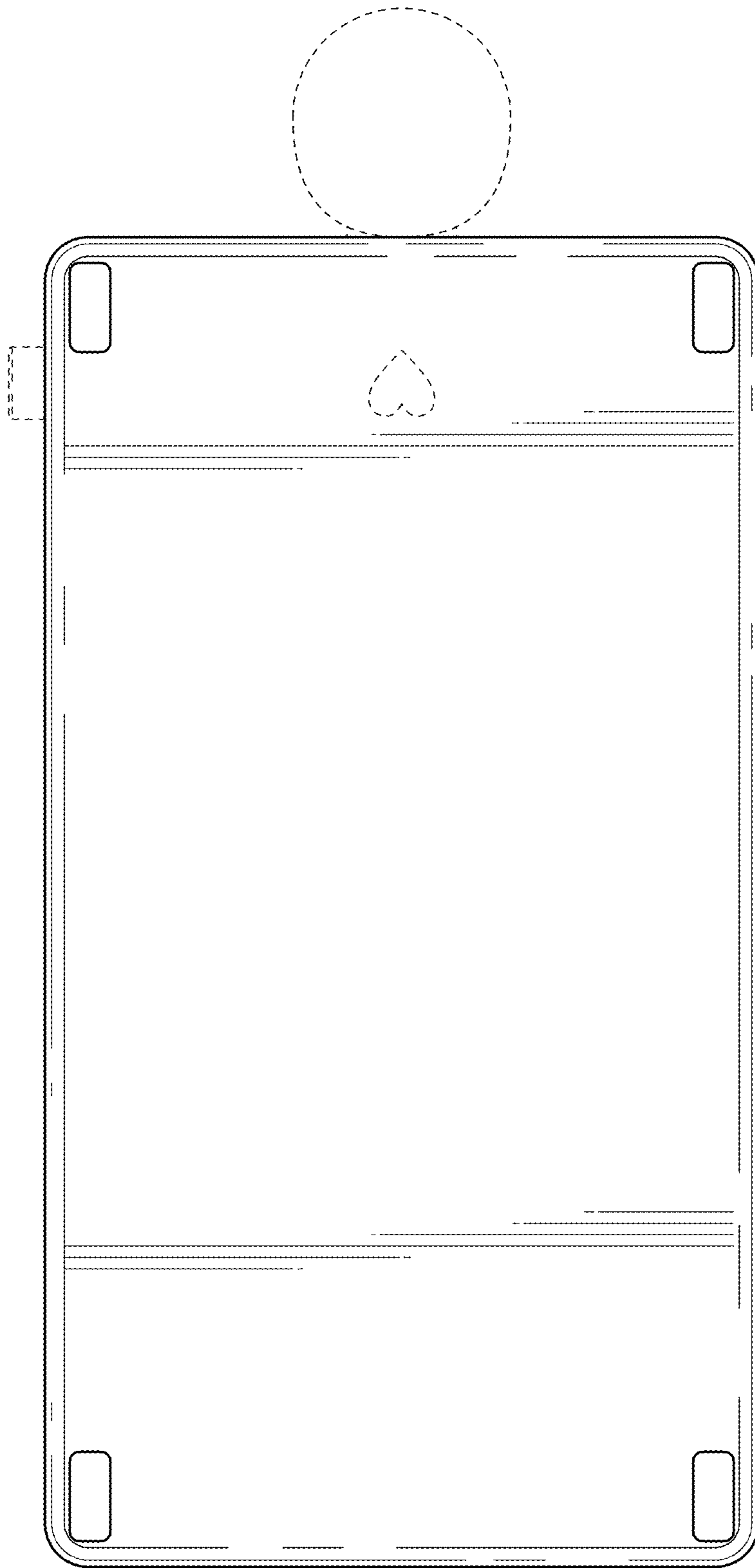


FIG. 7