



US00D925839S

(12) **United States Design Patent** (10) **Patent No.:** **US D925,839 S**  
**Lawton** (45) **Date of Patent:** **\*\* Jul. 20, 2021**

(54) **PORTABLE DOG BOWL**  
(71) Applicant: **John Lawton**, Austin, TX (US)  
(72) Inventor: **John Lawton**, Austin, TX (US)  
(\*\*) Term: **15 Years**  
(21) Appl. No.: **29/686,145**  
(22) Filed: **Apr. 2, 2019**  
(51) **LOC (13) Cl.** ..... **30-03**  
(52) **U.S. Cl.**  
USPC ..... **D30/129**  
(58) **Field of Classification Search**  
USPC ..... D30/121, 129, 130, 131, 132, 133, 199;  
119/51.01, 51.1, 52.1, 61.1, 61.51, 61.55,  
119/61.5, 61.56; D7/76, 709  
CPC ..... A01K 5/00; A01K 5/0121; A01K 5/0135;  
A01K 7/005  
See application file for complete search history.

(56) **References Cited**  
U.S. PATENT DOCUMENTS  
4,216,862 A \* 8/1980 Daenen ..... A45C 11/20  
206/541  
D259,167 S \* 5/1981 Daenen ..... D7/709  
D813,468 S \* 3/2018 Cronkhite ..... D30/130  
2002/0083900 A1\* 7/2002 Williams ..... A01K 5/0114  
119/51.01  
2010/0018468 A1\* 1/2010 Rabello ..... A01K 27/004  
119/61.56

OTHER PUBLICATIONS  
“Heininger Waterboy Portable Pet Bowl” available Oct. 13, 2017,  
[online], [site visited Jul. 26, 2020]. Retrieved from Internet,

URL:<https://www.chewy.com/heininger-waterboy-portable-pet-bowl/dp/159074> (Year: 2017).\*

\* cited by examiner

*Primary Examiner* — Michael C Stout  
*Assistant Examiner* — Katrina N Gonzalez  
(74) *Attorney, Agent, or Firm* — Craige Thompson;  
Thompson Patent Law; Timothy D. Snowden

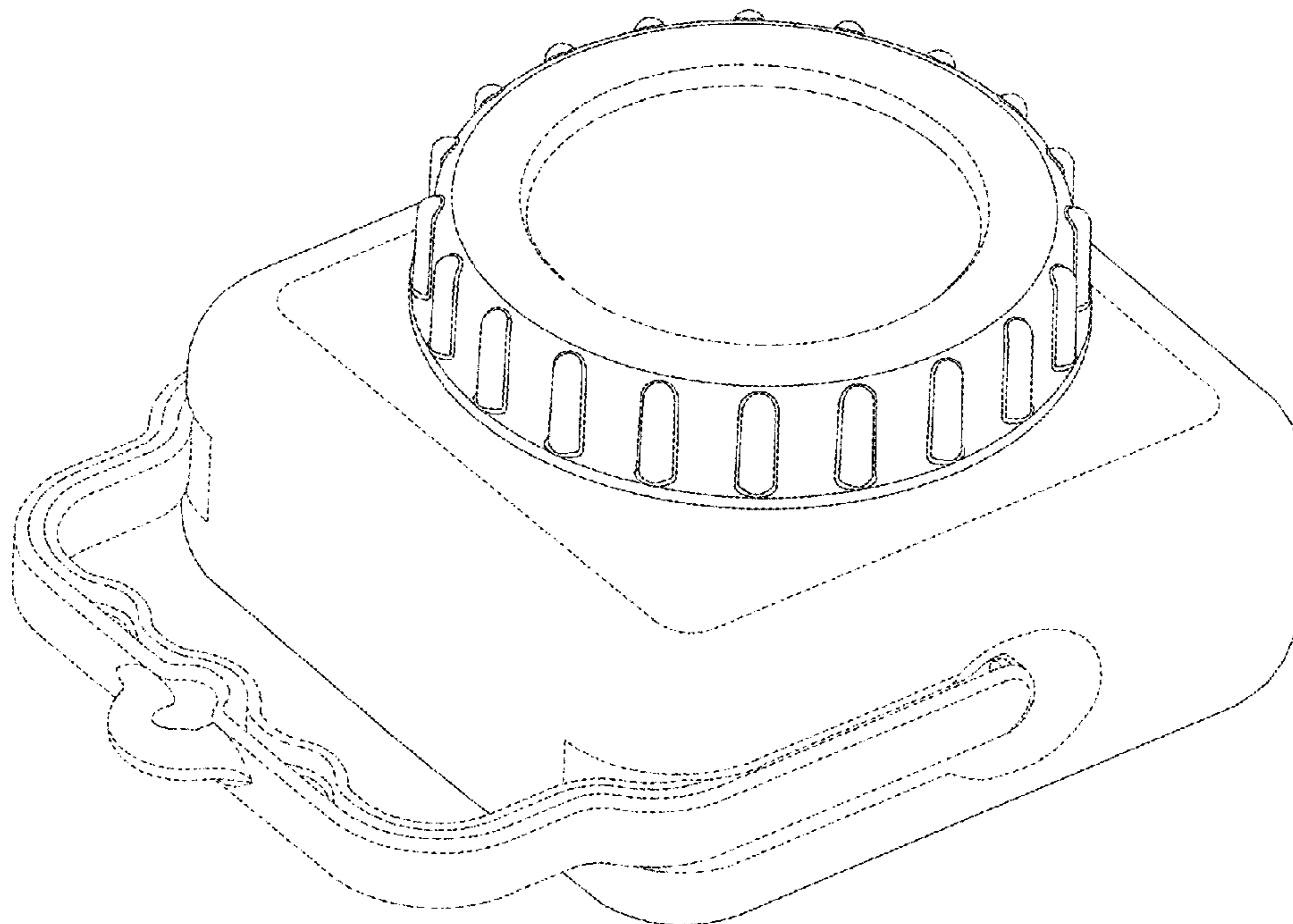
(57) **CLAIM**

The ornamental design for a portable dog bowl, as shown and described.

**DESCRIPTION**

FIG. 1 is a front, top and left perspective view of a portable dog bowl showing the new design;  
FIG. 2 is a front elevation view of the portable dog bowl of FIG. 1;  
FIG. 3 is a left side elevation view of the portable dog bowl of FIG. 1;  
FIG. 4 is a right side elevation view of the portable dog bowl of FIG. 1;  
FIG. 5 is a back elevation view of the portable dog bowl of FIG. 1;  
FIG. 6 is a top plan view of the portable dog bowl of FIG. 1; and,  
FIG. 7 is a bottom plan view of the portable dog bowl of FIG. 1.  
The broken lines illustrate portions of the portable dog bowl that form no part of the claimed design.

**1 Claim, 7 Drawing Sheets**



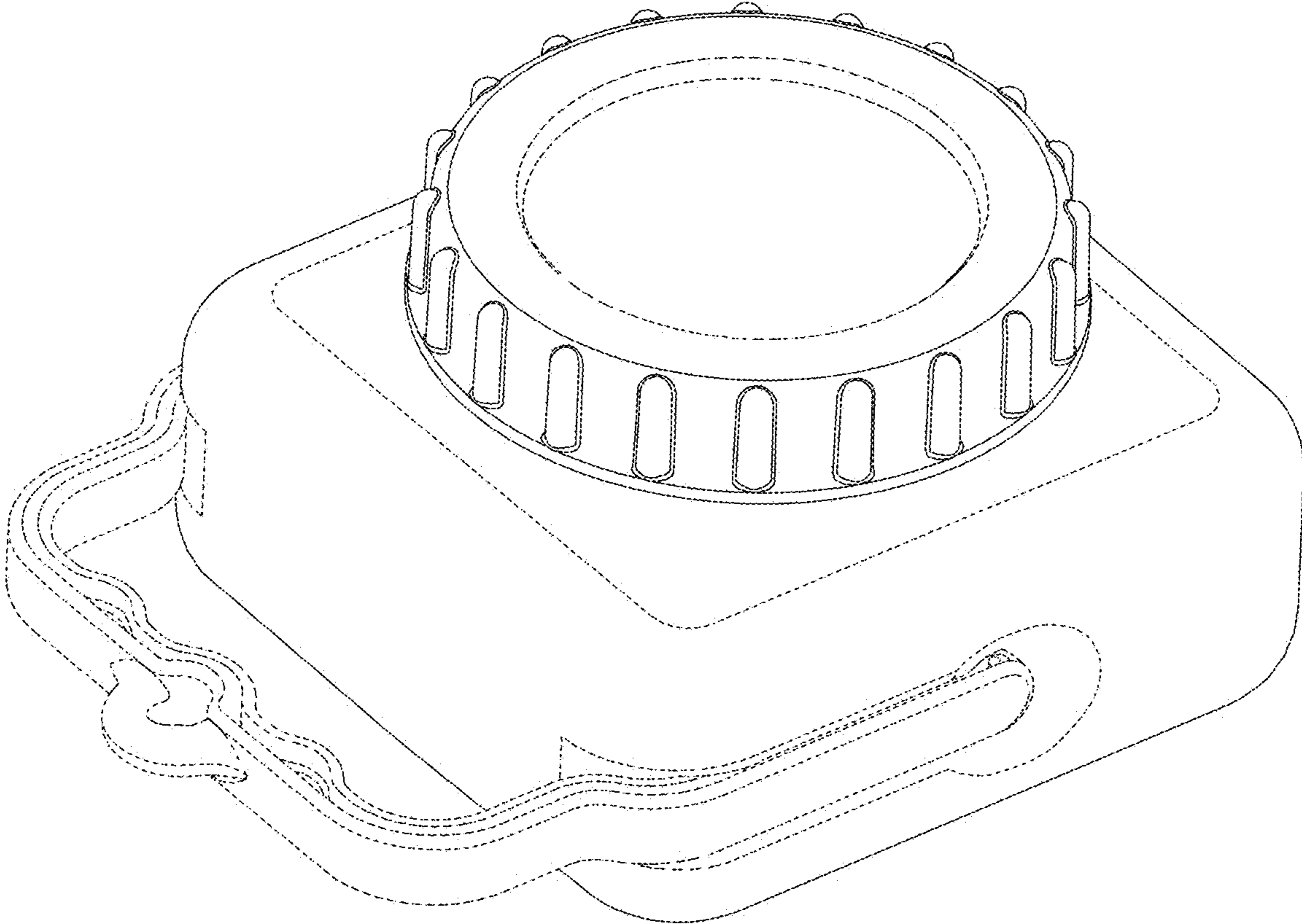


FIG. 1

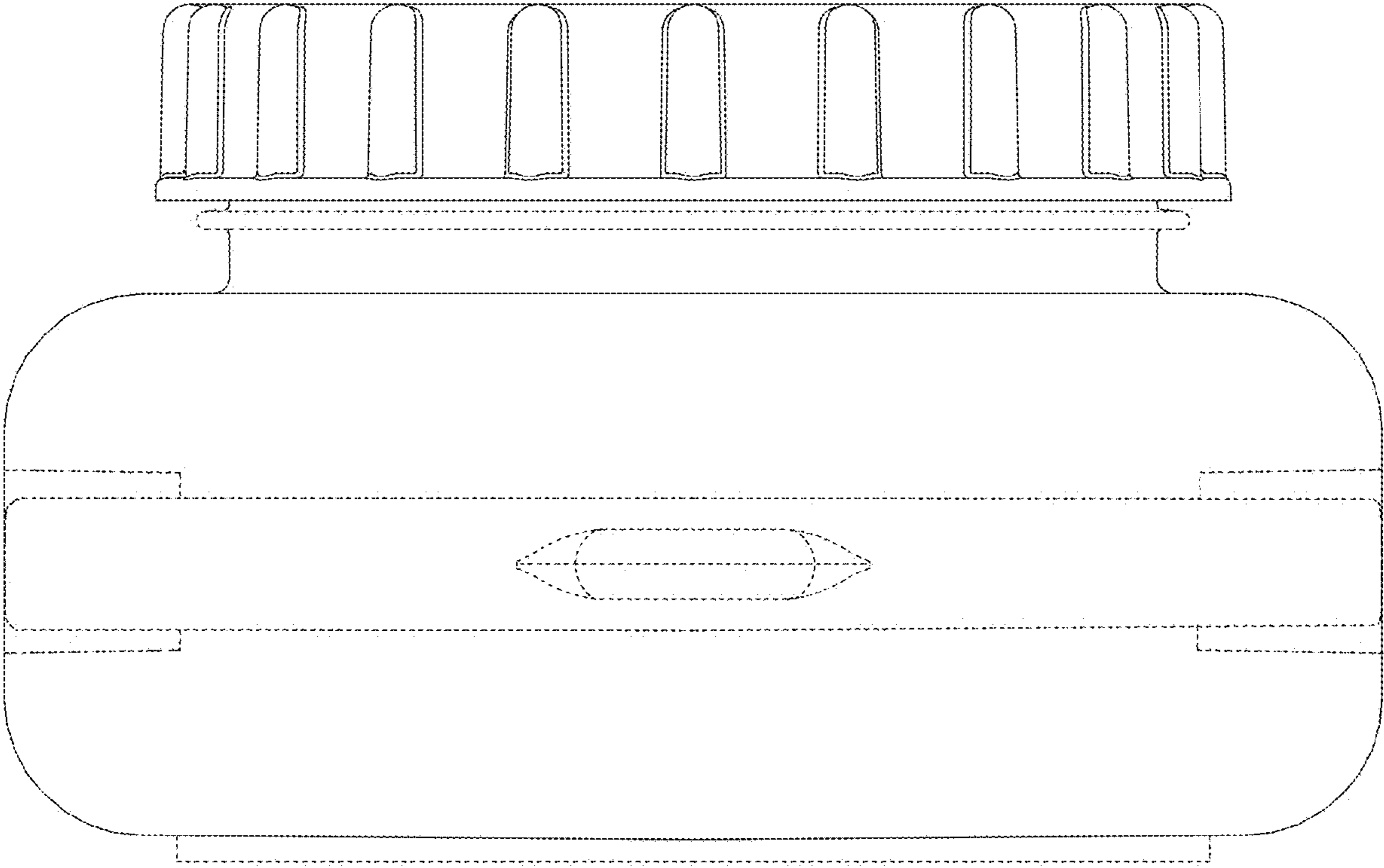


FIG. 2

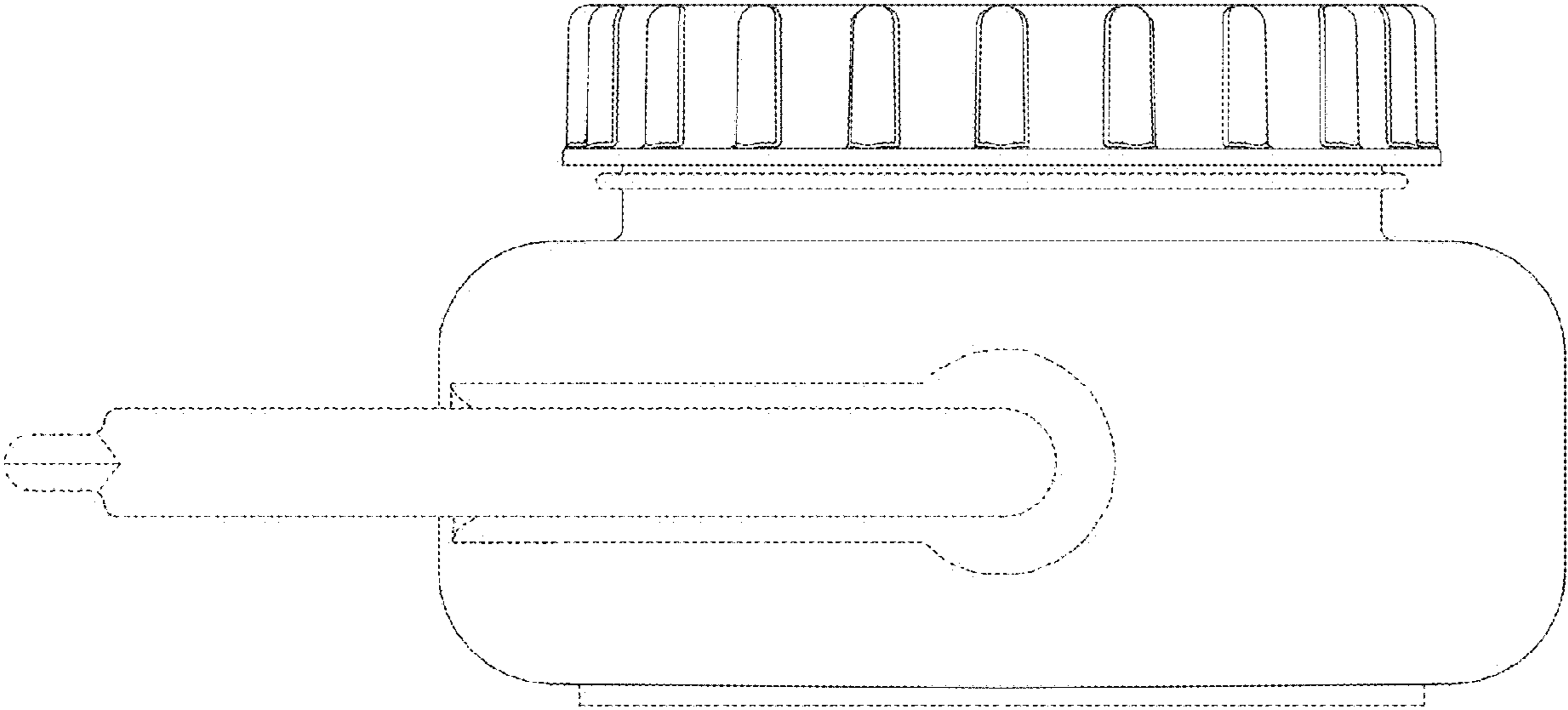


FIG. 3

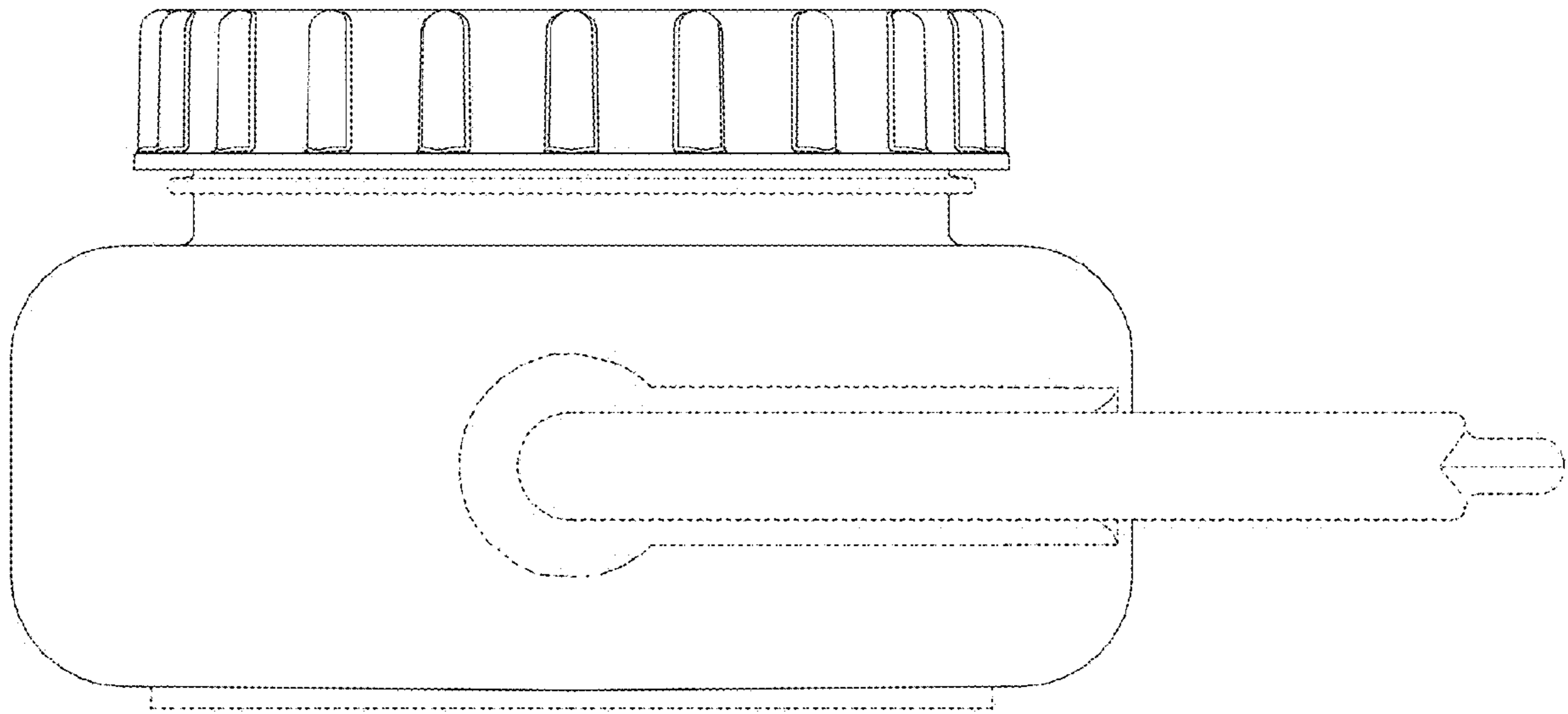


FIG. 4

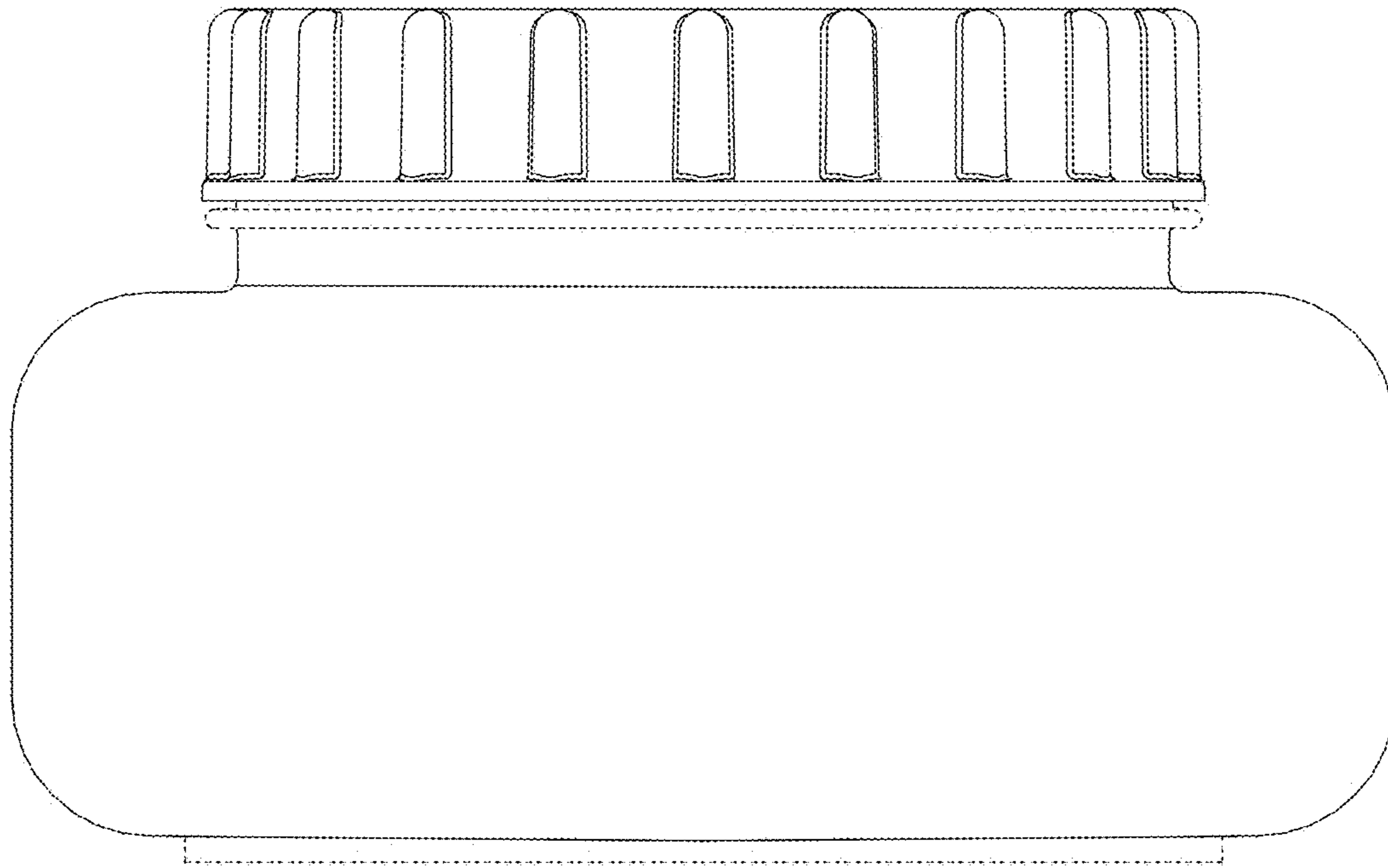


FIG. 5

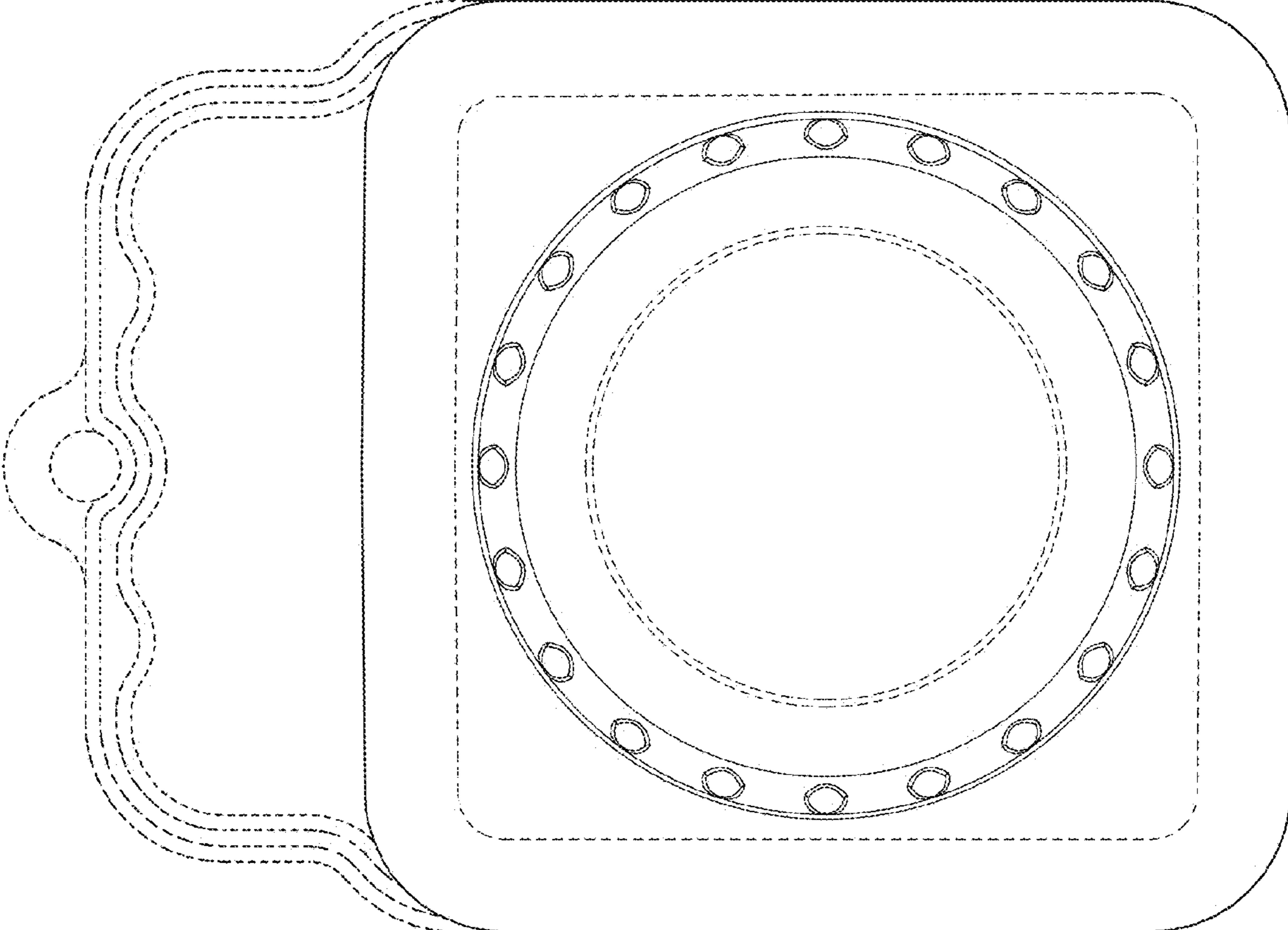


FIG. 6

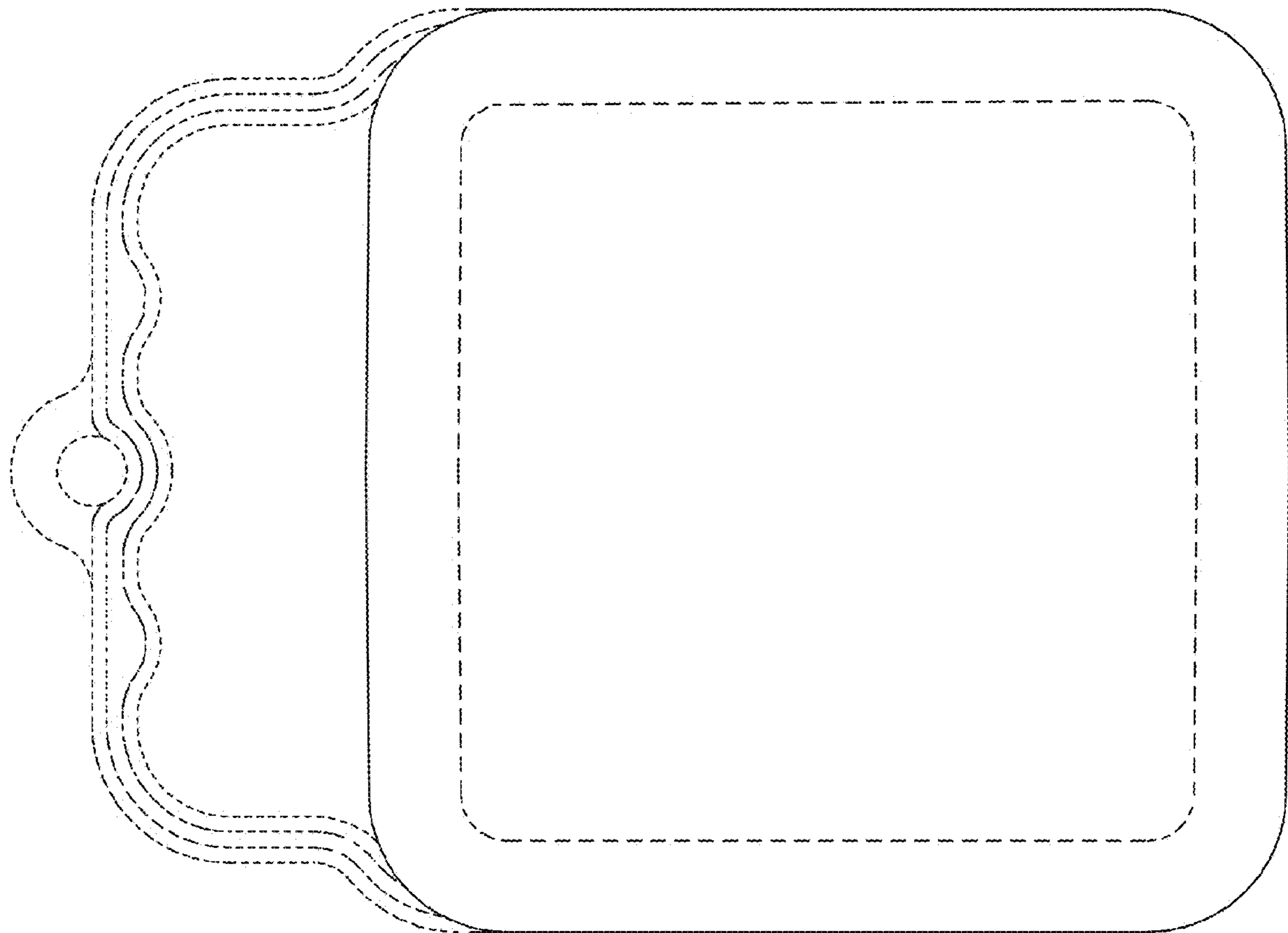


FIG. 7