



US00D925837S

(12) **United States Design Patent** (10) **Patent No.:** **US D925,837 S**
Fontana (45) **Date of Patent:** **** Jul. 20, 2021**

(54) **SPORTS HELMET PAD**

(71) Applicant: **Richard Fontana**, Alta Loma, CA (US)

(72) Inventor: **Richard Fontana**, Alta Loma, CA (US)

(**) Term: **15 Years**

(21) Appl. No.: **29/698,783**

(22) Filed: **Jul. 19, 2019**

(51) **LOC (13) Cl.** **02-03**

(52) **U.S. Cl.**
USPC **D29/122**

(58) **Field of Classification Search**
USPC D2/600, 602, 609, 865, 866, 867, 868,
D2/869, 870, 871, 872, 873, 874, 875,
D2/877, 878, 879, 881, 882, 886, 887,
D2/891, 892, 893, 895; D15/144, 144.1,
D15/144.2; D21/698, 780, 788;
D24/188, 190, 191; D29/100, 101.3,
D29/101.5, 102, 103, 104, 105, 106, 107,
D29/108, 109, 110, 113, 115, 120.1, 122;
D6/601

CPC A41D 13/00; A41D 13/0512; A41D
13/0015; A41D 13/015; A41D 13/046;
A41D 13/0518; A41D 13/055; A41D
13/0556; A41D 13/0568; A41D 13/08;
A41D 13/081; A41D 13/084; A41D
13/088; A41D 2600/202; A41D 27/12;
A41D 27/136; A42B 1/24; A42B 1/247;
A42B 1/08; A42B 1/10; A42B 3/00;
A42B 3/04; A42B 3/0473; A42B 3/06;
A42B 3/062; A42B 3/063; A42B 3/064;
A42B 3/065; A42B 3/066; A42B 3/10;
A42B 3/105; A42B 3/12; A42B 3/121;
A42B 3/122; A42B 3/124; A42B 3/125;
A42B 3/127; A42B 3/128; A42B 3/16;
A42B 3/18; A42B 3/185; A42B 3/22;
A42B 3/221; A42B 3/225; A47G 9/1081;
A61B 2018/00619; A61F 9/06; A61F
9/065; A61H 1/0296; A61H 2201/1609;
A61H 2205/04; A63B

(Continued)

(56) **References Cited**

U.S. PATENT DOCUMENTS

2,143,483 A * 1/1939 Iglauer A42B 1/08
2/411

D257,073 S 9/1980 Jenkins
D265,350 S 7/1982 Davis

(Continued)

OTHER PUBLICATIONS

Amazon, "Schutt Comfort Lite Baseball/Softball Catcher's Mask Replacement Pads", first available Oct. 15, 2019. (https://www.amazon.com/dp/B07Z5M5JGC/ref=cm_sw_em_r_mt_dp_R3PDW3DBX4KAEME7RWBF?_encoding=UTF8&psc=1) (Year: 2019).*

(Continued)

Primary Examiner — April Rivas

Assistant Examiner — Justin A Johnson

(74) *Attorney, Agent, or Firm* — Brooks Kushman PC

(57) **CLAIM**

The ornamental design for a sports helmet pad, as shown and described.

DESCRIPTION

FIG. 1 is a perspective view of a sports helmet pad showing my new design;

FIG. 2 is a front view thereof;

FIG. 3 is a rear view thereof;

FIG. 4 is a left side view thereof;

FIG. 5 is a right side view thereof;

FIG. 6 is a top plan view thereof;

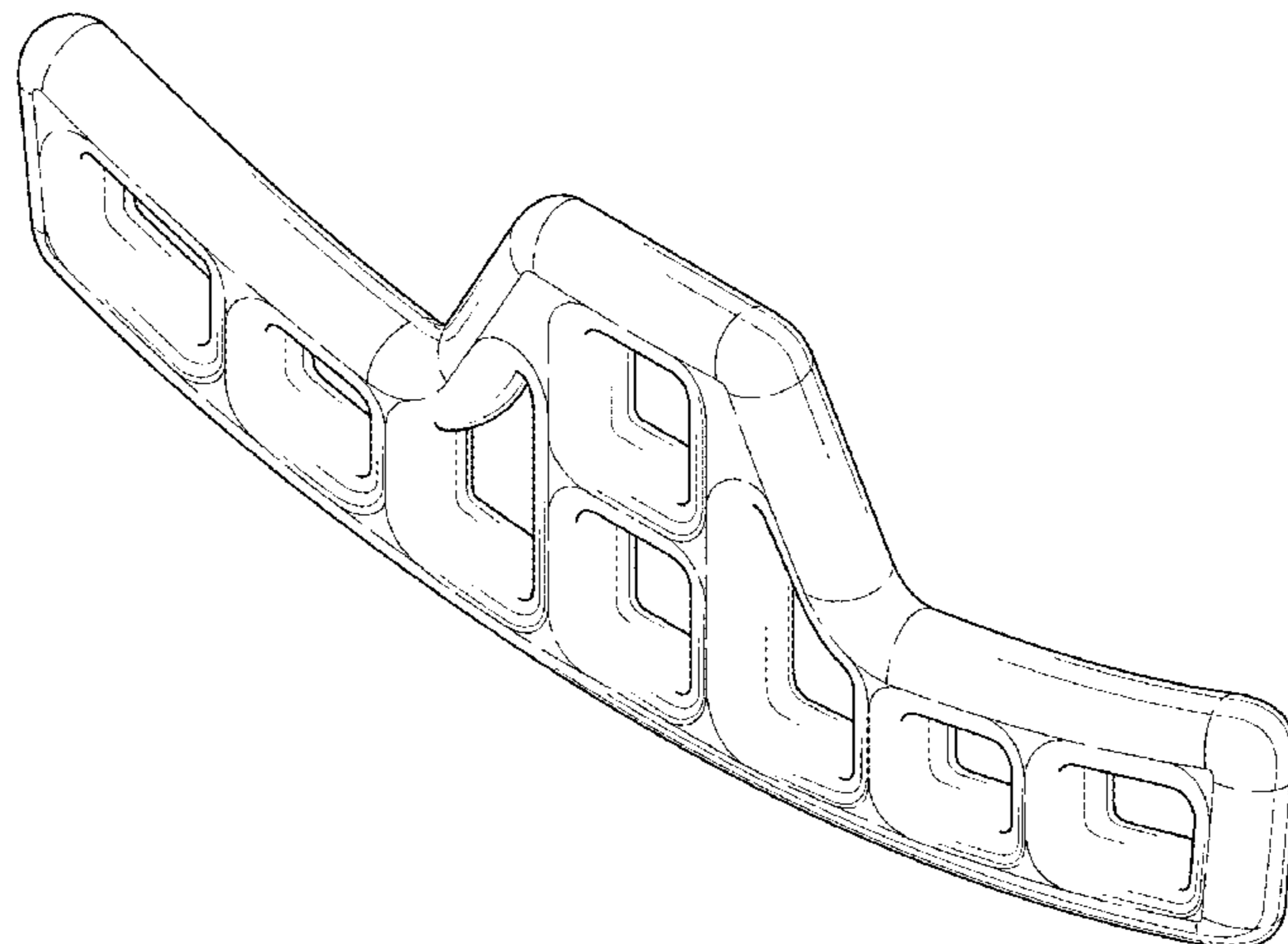
FIG. 7 is a bottom plan view thereof;

FIG. 8 is a front perspective environmental view thereof; and,

FIG. 9 is a rear perspective environmental view thereof.

The broken lines illustrate portions of the environment and form no part of the claimed design.

1 Claim, 5 Drawing Sheets



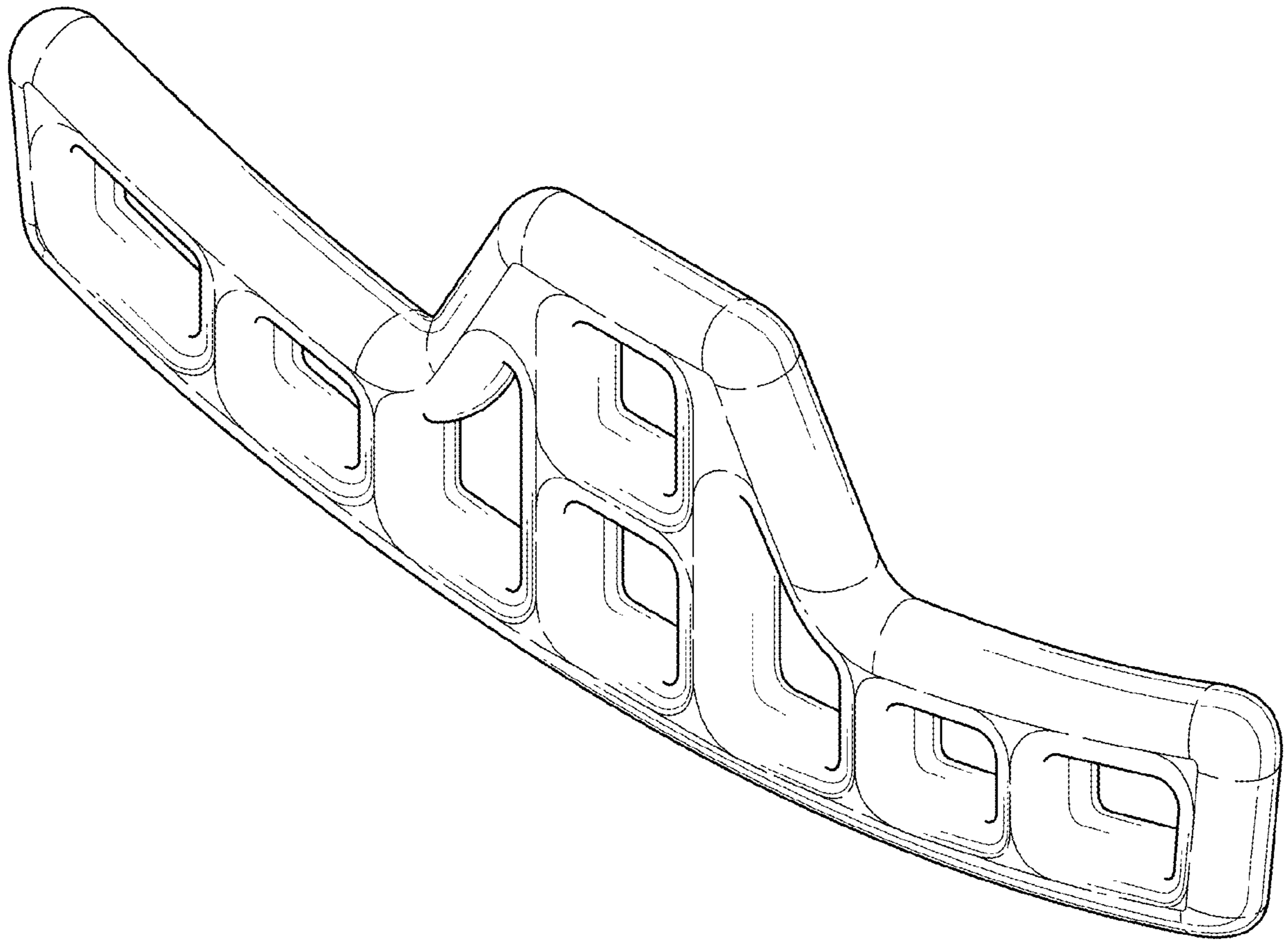


FIG. 1

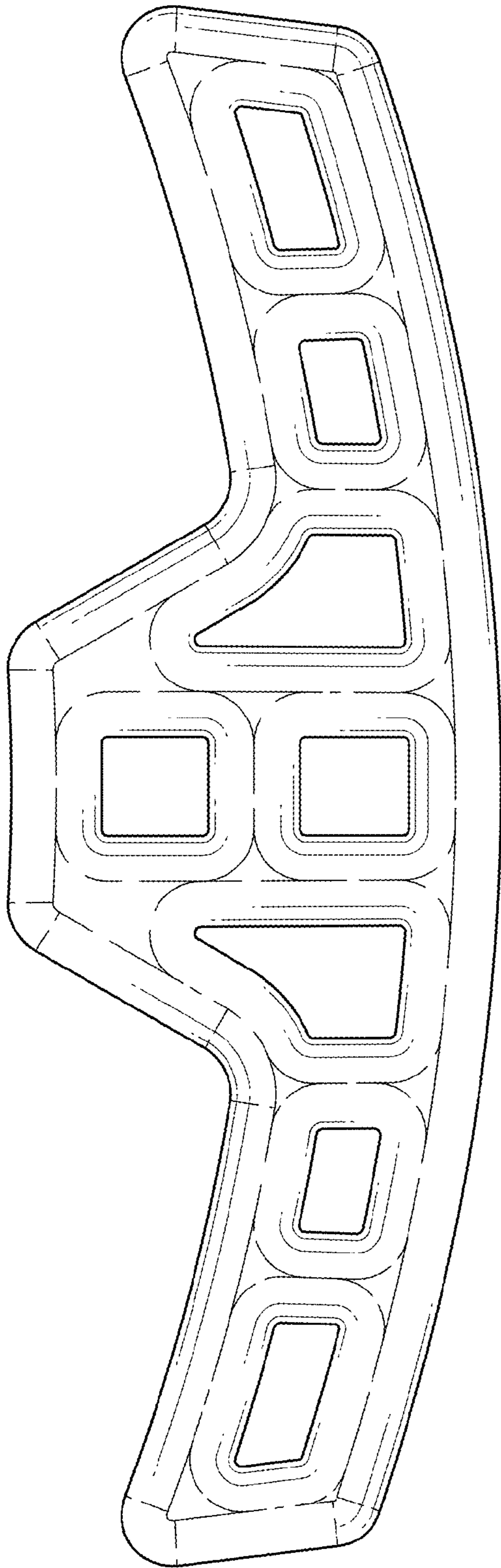


FIG. 2

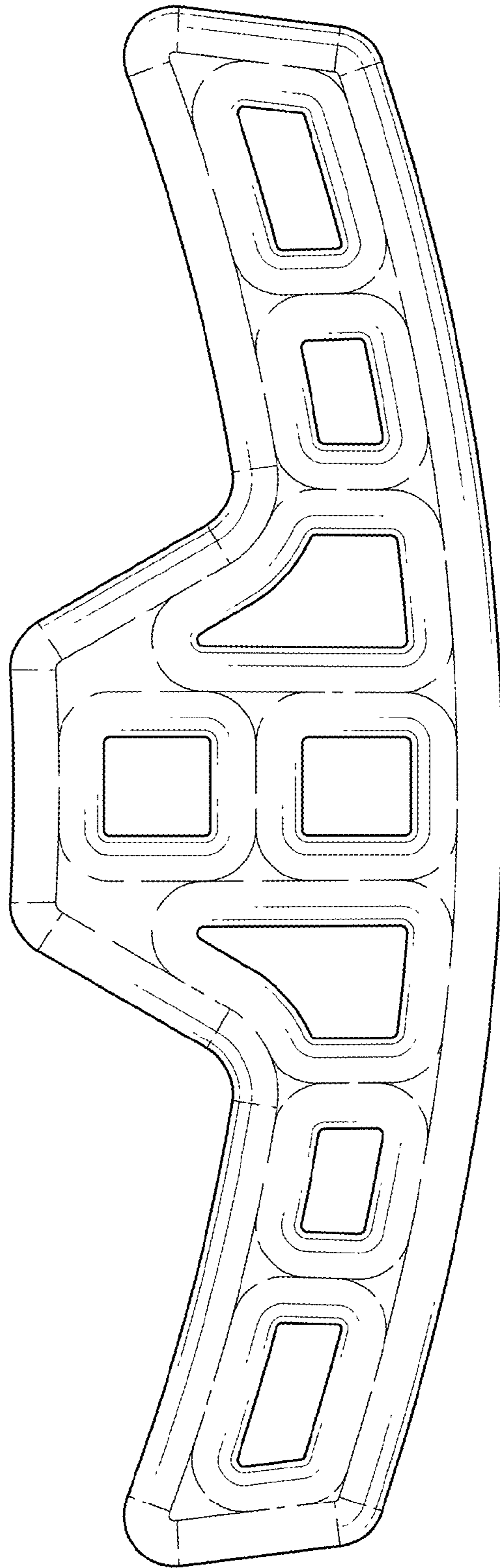


FIG. 3

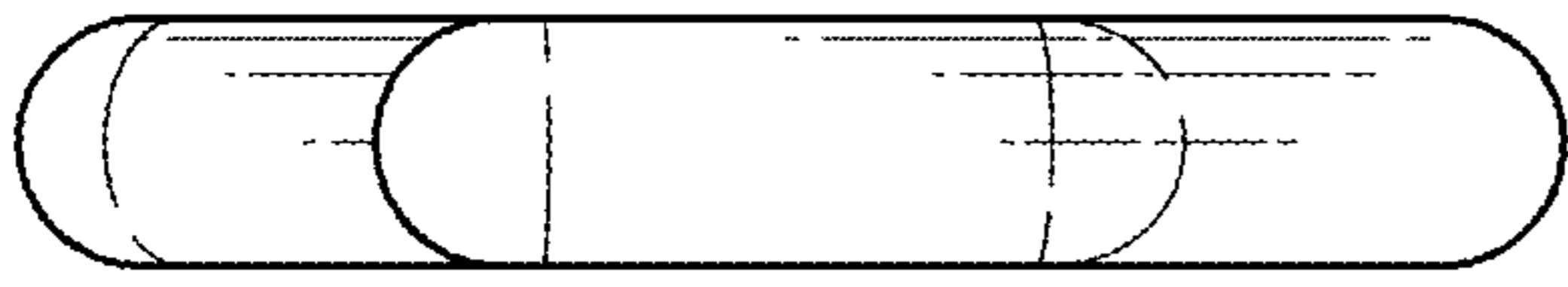


FIG. 4

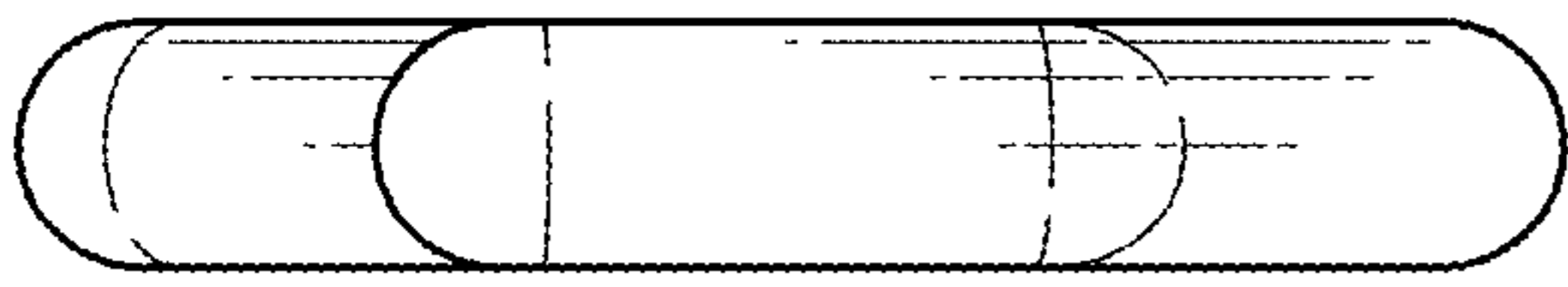


FIG. 5



FIG. 6

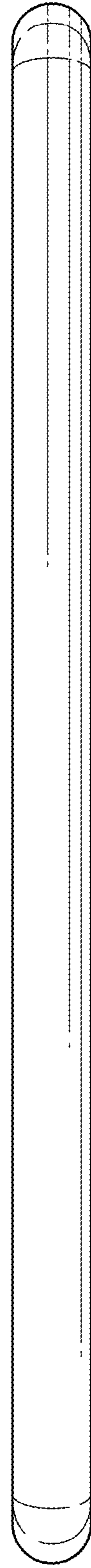


FIG. 7

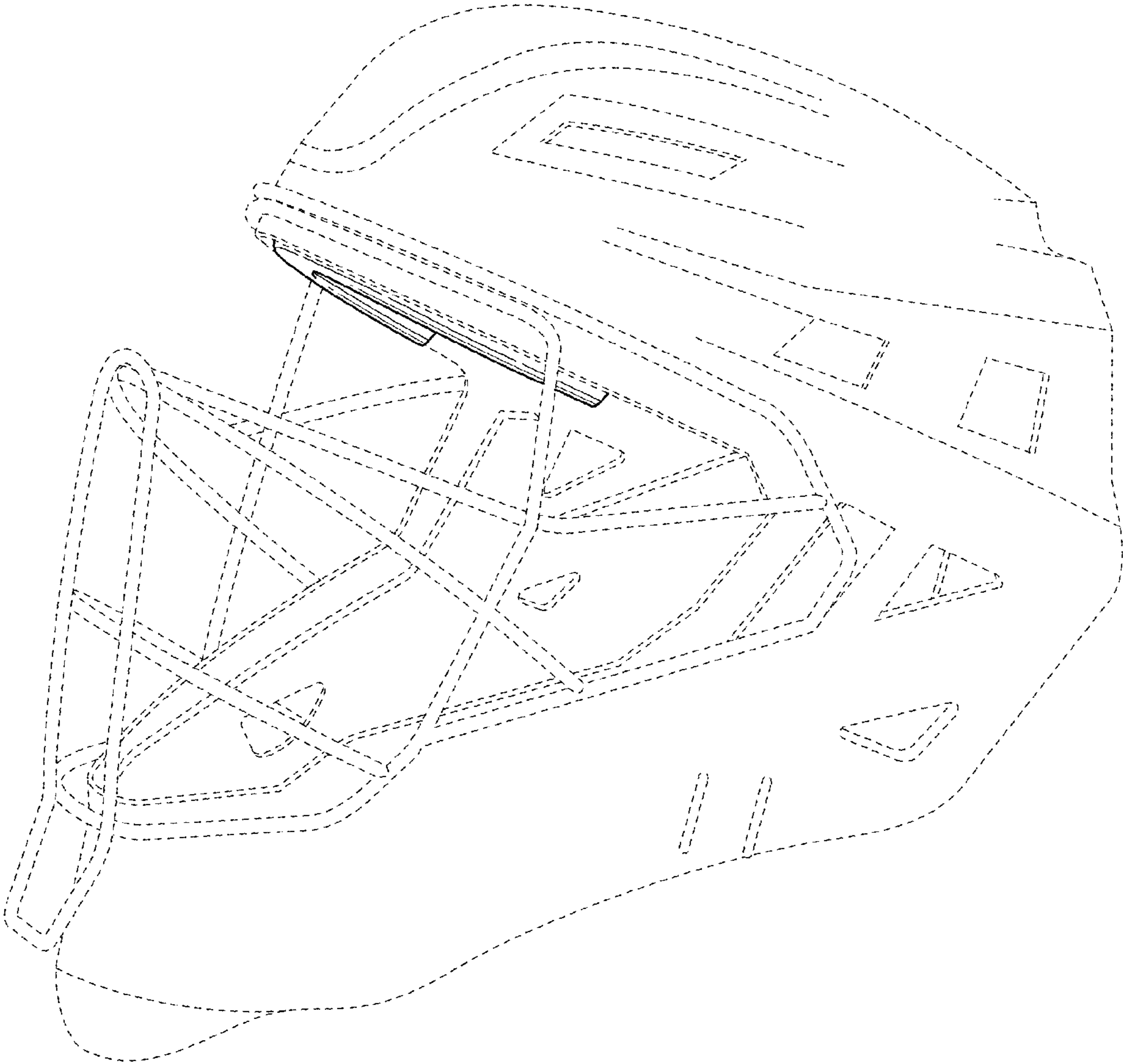


FIG. 8

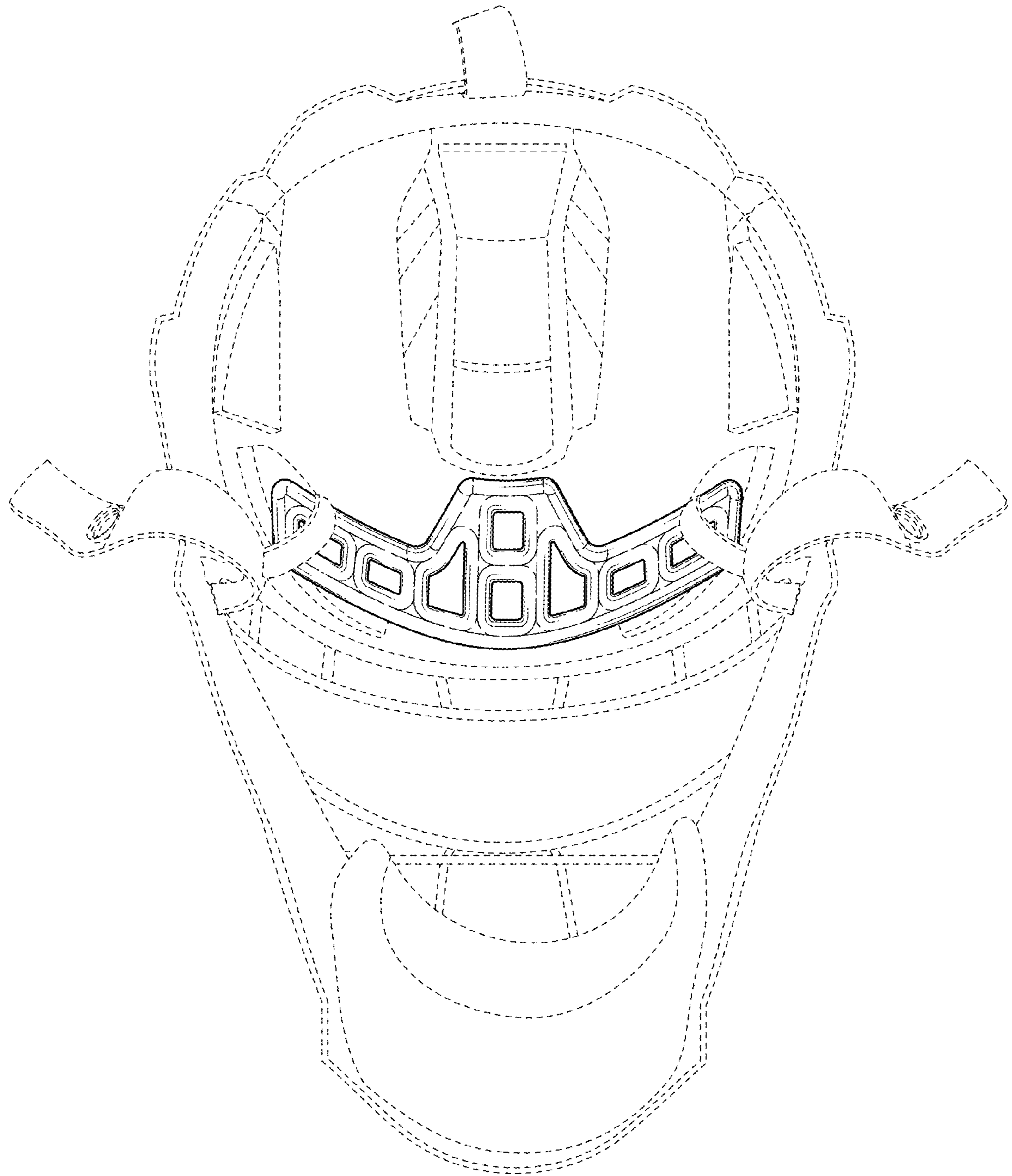


FIG. 9