



US00D925836S

(12) **United States Design Patent**
Bologna et al.

(10) **Patent No.:** **US D925,836 S**
(45) **Date of Patent:** **** Jul. 20, 2021**

- (54) **INTERNAL PADDING ASSEMBLY OF A PROTECTIVE SPORTS HELMET**
- (71) Applicant: **Riddell, Inc.**, Des Plaines, IL (US)
- (72) Inventors: **Vittorio Bologna**, Des Plaines, IL (US); **Murphy Gillogly**, Des Plaines, IL (US); **Andrew Tryner**, Des Plaines, IL (US)
- (73) Assignee: **Riddell, Inc.**, Des Plaines, IL (US)
- (**) Term: **15 Years**
- (21) Appl. No.: **29/692,353**
- (22) Filed: **May 24, 2019**

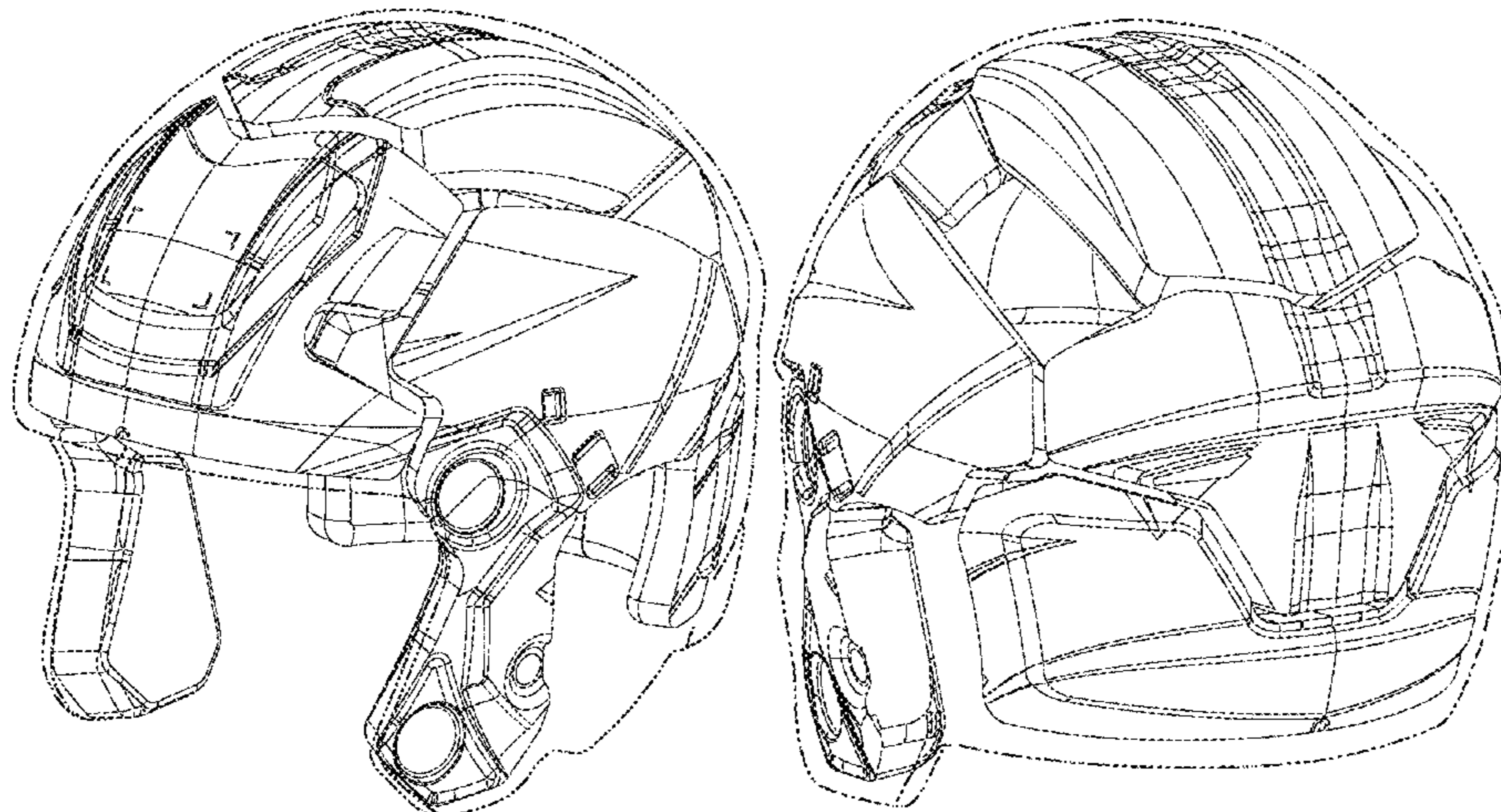
Related U.S. Application Data

- (63) Continuation of application No. 29/611,287, filed on Jul. 20, 2017, now Pat. No. Des. 850,013.
- (51) **LOC (13) Cl.** **02-99**
- (52) **U.S. Cl.**
USPC **D29/122**
- (58) **Field of Classification Search**
USPC D29/122, 102-110; D2/878
CPC A42B 3/04; A42B 3/10; A42B 3/16; A42B 3/166; A42B 3/127; A42B 3/14; A42B 3/142; A42B 3/147; A42B 3/003; A42B 3/0406; A42B 3/12; A42B 3/121; A42B 3/122; A42B 3/125; A42B 3/128; A42B 3/06; A61F 11/06; A63B 71/10; A41D 13/015; A41D 13/0153
See application file for complete search history.

4,345,338 A	8/1982	Frieder et al.
4,354,284 A	10/1982	Gooding
D267,287 S	12/1982	Gooding
4,375,108 A	3/1983	Gooding
4,404,690 A	9/1983	Farquharson
4,432,099 A	2/1984	Grick et al.
4,566,137 A	1/1986	Gooding
4,903,346 A	2/1990	Reddemann et al.
4,916,759 A	4/1990	Arai
4,937,888 A	7/1990	Straus
5,014,365 A	5/1991	Schulz
5,035,009 A	7/1991	Wingo et al.
5,056,162 A	10/1991	Tirums
5,345,614 A	9/1994	Tanaka
D364,487 S	11/1995	Tutton et al.
5,666,670 A	9/1997	Ryan et al.
5,713,082 A	2/1998	Bassette et al.
5,891,372 A	4/1999	Besset et al.
6,073,271 A	6/2000	Alexander et al.
6,128,786 A	10/2000	Maddux et al.
6,138,284 A	10/2000	Arai
D437,472 S	2/2001	Ruscitti et al.
6,219,850 B1	4/2001	Halstead et al.
6,282,724 B1	9/2001	Abraham et al.
6,298,497 B1	10/2001	Chartrand
6,389,607 B1	5/2002	Wood
6,421,841 B2	7/2002	Ikeda
D475,486 S	6/2003	Ide et al.
D492,818 S	7/2004	Ide et al.
6,798,392 B2	9/2004	Hartwell et al.
6,934,971 B2	8/2005	Ide et al.
D521,191 S	5/2006	Berger
D523,180 S	6/2006	Frye
7,234,812 B2	6/2007	Piorowski et al.
7,328,462 B1	2/2008	Straus
D570,055 S	5/2008	Ferrara et al.
D586,507 S	2/2009	Fink et al.
D617,503 S	6/2010	Szalkowski et al.
7,774,866 B2	8/2010	Ferrara
7,802,320 B2	9/2010	Morgan
7,841,025 B1	11/2010	Fink et al.
7,930,771 B2	4/2011	Depreitere et al.
7,952,577 B2	5/2011	Harvill
8,176,574 B2	5/2012	Bryant et al.
8,201,269 B2	6/2012	Maddux et al.
D663,076 S	7/2012	Parsons et al.
8,209,784 B2	7/2012	Nimmons et al.
D666,779 S	9/2012	Harris
8,296,867 B2	10/2012	Rudd et al.
D679,058 S	3/2013	Szalkowski et al.
8,418,270 B2	4/2013	Desjardins et al.
8,524,338 B2	9/2013	Anderson et al.
8,566,968 B2	10/2013	Marzec et al.

(56) **References Cited**
U.S. PATENT DOCUMENTS

3,629,864 A	12/1971	Latina
3,820,163 A	6/1974	Rappleyea
3,843,970 A	10/1974	Marietta et al.
3,882,547 A	5/1975	Morgan
3,992,721 A	11/1976	Morton
4,287,613 A	9/1981	Schulz



8,656,520	B2	2/2014	Rush, III	
8,726,424	B2	5/2014	Thomas et al.	
8,756,719	B2	6/2014	Veazie	
8,850,622	B2	10/2014	Finiel et al.	
8,863,319	B2	10/2014	Knight	
9,032,558	B2	5/2015	Leon	
9,095,179	B2	8/2015	Kwan et al.	
9,107,466	B2	8/2015	Hoying et al.	
9,131,744	B2	9/2015	Erb et al.	
9,185,946	B2	11/2015	Leary et al.	
D747,554	S	1/2016	Daniel	
9,314,060	B2	4/2016	Giles	
9,314,063	B2	4/2016	Bologna et al.	
9,320,311	B2	4/2016	Szalkowski et al.	
9,420,843	B2	8/2016	Cormier et al.	
9,498,014	B2	11/2016	Princip et al.	
9,516,910	B2	12/2016	Szalkowski et al.	
9,545,127	B1	1/2017	Sandifer	
9,572,390	B1	2/2017	Simpson	
9,572,402	B2	2/2017	Jarvis	
9,603,404	B2	3/2017	Pocatko	
9,622,533	B2	4/2017	Warmouth et al.	
9,763,488	B2*	9/2017	Bologna	A42B 3/128
9,770,060	B2	9/2017	Infusino et al.	
9,788,600	B2	10/2017	Wawrousek et al.	
9,795,180	B2	10/2017	Lowe et al.	
9,833,684	B2	12/2017	Warmouth et al.	
9,841,075	B2	12/2017	Russo	
9,854,988	B2*	1/2018	Oakley	A61B 5/6803
10,105,076	B2*	10/2018	Chu	A42B 3/046
D850,011	S*	5/2019	Bologna	D29/122
D850,012	S*	5/2019	Bologna	D29/122
D850,013	S*	5/2019	Bologna	D29/122
10,362,829	B2*	7/2019	Lowe	A42B 3/064
10,780,338	B1*	9/2020	Bologna	A63B 71/10
2004/0139531	A1	7/2004	Moore et al.	
2004/0163228	A1	8/2004	Piorkowski et al.	
2004/0181854	A1	9/2004	Primrose	
2004/0204904	A1	10/2004	Ebisawa	
2006/0101559	A1	5/2006	Moore et al.	
2008/0186331	A1	8/2008	Harvill	
2010/0000009	A1	1/2010	Morgan	
2010/0251465	A1	10/2010	Milea et al.	
2011/0107503	A1	5/2011	Morgan	
2011/0167542	A1	7/2011	Bayne et al.	
2011/0203038	A1	8/2011	Jones, Jr.	
2012/0117822	A1	5/2012	Jarvis	
2013/0031700	A1	2/2013	Wacter et al.	
2013/0061375	A1	3/2013	Bologna et al.	
2014/0020158	A1	1/2014	Parsons et al.	
2014/0081601	A1	3/2014	Zhang et al.	
2014/0182170	A1	7/2014	Wawrousek et al.	
2014/0201889	A1	7/2014	Pietrzak et al.	
2014/0208486	A1	7/2014	Krueger	
2015/0101899	A1	4/2015	Russo	
2015/0157081	A1	6/2015	Hyman	
2015/0157083	A1	6/2015	Lowe	
2015/0272257	A1	10/2015	Pritz et al.	
2016/0242485	A1	8/2016	Carton	
2016/0270473	A1	9/2016	Warmouth et al.	
2017/0010603	A1	1/2017	Ingleton et al.	
2017/0095014	A1	4/2017	King	
2017/0105461	A1	4/2017	Hancock et al.	
2017/0143066	A1	5/2017	Avery et al.	
2017/0188649	A1	7/2017	Allen et al.	
2017/0232327	A1	8/2017	Kuntz	

FOREIGN PATENT DOCUMENTS

GB	2490894	A1	11/2012
WO	17171694	A1	10/2017

* cited by examiner

Primary Examiner — Kimberly Barnes

(74) Attorney, Agent, or Firm — Barnes & Thornburg LLP

(57) CLAIM

We claim the ornamental design for an internal padding assembly of a protective sports helmet, as shown and described.

DESCRIPTION

FIG. 1 is a front perspective view of an internal padding assembly of a protective sports helmet showing our new design.

FIG. 2 is a rear perspective view of the internal padding assembly of the protective sports helmet of FIG. 1.

FIG. 3 is a bottom perspective view of the internal padding assembly of the protective sports helmet of FIG. 1.

FIG. 4 is a front view of the internal padding assembly of the protective sports helmet of FIG. 1.

FIG. 5 is a rear view of the internal padding assembly of the protective sports helmet of FIG. 1.

FIG. 6 is a left side view of the internal padding assembly of the protective sports helmet of FIG. 1.

FIG. 7 is a right side view of the internal padding assembly of the protective sports helmet of FIG. 1.

FIG. 8 is a top view of the internal padding assembly of the protective sports helmet of FIG. 1.

FIG. 9 is a bottom view of the internal padding assembly of the protective sports helmet of FIG. 1.

FIG. 10 is a perspective view of a front pad of an internal padding assembly of a protective sports helmet, showing an exterior of the pad.

FIG. 11 is a perspective view of the front pad of the internal padding assembly of the protective sports helmet of FIG. 10, showing an interior of the pad.

FIG. 12 is a front view of the front pad of the internal padding assembly of the protective sports helmet of FIG. 10.

FIG. 13 is a rear view of the front pad of the internal padding assembly of the protective sports helmet of FIG. 10.

FIG. 14 is a top view of the front pad of the internal padding assembly of the protective sports helmet of FIG. 10.

FIG. 15 is a bottom view of the front pad of the internal padding assembly of the protective sports helmet of FIG. 10.

FIG. 16 is a left view of the front pad of the internal padding assembly of the protective sports helmet of FIG. 10.

FIG. 17 is a right view of the front pad of the internal padding assembly of the protective sports helmet of FIG. 10.

FIG. 18 is a perspective view of a crown pad of an internal padding assembly of a protective sports helmet, showing an exterior of the pad.

FIG. 19 is a perspective view of the crown pad of the internal padding assembly of the protective sports helmet of FIG. 18, showing an interior of the pad.

FIG. 20 is a front view of the crown pad of the internal padding assembly of the protective sports helmet of FIG. 18.

FIG. 21 is a rear view of the crown pad of the internal padding assembly of the protective sports helmet of FIG. 18.

FIG. 22 is top view of the crown pad of the internal padding assembly of the protective sports helmet of FIG. 18.

FIG. 23 is a bottom view of the crown pad of the internal padding assembly of the protective sports helmet of FIG. 18.

FIG. 24 is a left view of the crown pad of the internal padding assembly of the protective sports helmet of FIG. 18.

FIG. 25 is a right view of the crown pad of the internal padding assembly of the protective sports helmet of FIG. 18.

FIG. 26 is a perspective view of a rear pad of an internal padding assembly of a protective sports helmet, showing an exterior of the pad.

FIG. 27 is a perspective view of the rear pad of the internal padding assembly of the protective sports helmet of FIG. 26, showing an interior of the pad.

FIG. 28 is a front view of the rear pad of the internal padding assembly of the protective sports helmet of FIG. 26.

FIG. 29 is a rear view of the rear pad of the internal padding assembly of the protective sports helmet of FIG. 26.

FIG. 30 is a top view of the rear pad of the internal padding assembly of the protective sports helmet of FIG. 26.

FIG. 31 is a bottom view of the rear pad of the internal padding assembly of the protective sports helmet of FIG. 26.

FIG. 32 is a left view of the rear pad of the internal padding assembly of the protective sports helmet of FIG. 26.

FIG. 33 is a right view of the rear pad of the internal padding assembly of the protective sports helmet of FIG. 26.

FIG. 34 is a perspective view of a left side pad of an internal padding assembly of a protective sports helmet, showing an exterior of the pad.

FIG. 35 is a perspective view of the left side pad of the internal padding assembly of the protective sports helmet of FIG. 34, showing an interior of the pad.

FIG. 36 is a front view of the left side pad of the internal padding assembly of the protective sports helmet of FIG. 34.

FIG. 37 is a rear view of the left side pad of the internal padding assembly of the protective sports helmet of FIG. 34.

FIG. 38 is a top view of the left side pad of the internal padding assembly of the protective sports helmet of FIG. 34.

FIG. 39 is a bottom view of the left side pad of the internal padding assembly of the protective sports helmet of FIG. 34.

FIG. 40 is a left view of the left side pad of the internal padding assembly of the protective sports helmet of FIG. 34.

FIG. 41 is a right view of the left side pad of the internal padding assembly of the protective sports helmet of FIG. 34.

FIG. 42 is a perspective view of a right side pad of an internal padding assembly of a protective sports helmet, showing an exterior of the pad.

FIG. 43 is a perspective view of the right side pad of the internal padding assembly of the protective sports helmet of FIG. 42, showing an interior of the pad.

FIG. 44 is a front view of the right side pad of the internal padding assembly of the protective sports helmet of FIG. 42.

FIG. 45 is a rear view of the right side pad of the internal padding assembly of the protective sports helmet of FIG. 42.

FIG. 46 is a top view of the right side pad of the internal padding assembly of the protective sports helmet of FIG. 42.

FIG. 47 is a bottom view of the right side pad of the internal padding assembly of the protective sports helmet of FIG. 42.

FIG. 48 is a left view of the right side pad of the internal padding assembly of the protective sports helmet of FIG. 42.

FIG. 49 is a right view of the right side pad of the internal padding assembly of the protective sports helmet of FIG. 42.

FIG. 50 is a perspective view of a left side jaw pad of an internal padding assembly of the protective sports helmet, showing an exterior of the pad.

FIG. 51 is a perspective view of the left side jaw pad of the internal padding assembly of the protective sports helmet of FIG. 50, showing an interior of the pad.

FIG. 52 is a front view of the left side jaw pad of the internal padding assembly of the protective sports helmet of FIG. 50.

FIG. 53 is a rear view of the left side jaw pad of the internal padding assembly of the protective sports helmet of FIG. 50.

FIG. 54 is a top view of the left side jaw pad of the internal padding assembly of the protective sports helmet of FIG. 50. FIG. 55 is a bottom view of the left side jaw pad of the internal padding assembly of the protective sports helmet of FIG. 50.

FIG. 56 is a left view of the left side jaw pad of the internal padding assembly of the protective sports helmet of FIG. 50.

FIG. 57 is a right view of the left side jaw pad of the internal padding assembly of the protective sports helmet of FIG. 50.

FIG. 58 is a perspective view of a right side jaw pad of an internal padding assembly of a protective sports helmet, showing an exterior of the pad.

FIG. 59 is a perspective view of the right side jaw pad of the internal padding assembly of the protective sports helmet of FIG. 58, showing an interior of the pad.

FIG. 60 is a front view of the right side jaw pad of the internal padding assembly of the protective sports helmet of FIG. 58.

FIG. 61 is a rear view of the right side jaw pad of the internal padding assembly of the protective sports helmet of FIG. 58.

FIG. 62 is a top view of the right side jaw pad of the internal padding assembly of the protective sports helmet of FIG. 58.

FIG. 63 is a bottom view of the right side jaw pad of the internal padding assembly of the protective sports helmet of FIG. 58.

FIG. 64 is a left view of the right side jaw pad of the internal padding assembly of the protective sports helmet of FIG. 58.

FIG. 65 is a right view of the right side jaw pad of the internal padding assembly of the protective sports helmet of FIG. 58.

FIG. 66 is a perspective view of an occipital pad of an internal padding assembly of a protective sports helmet, showing an exterior of the pad.

FIG. 67 is a perspective view of the occipital pad of the internal padding assembly of the protective sports helmet of FIG. 66, showing an interior of the pad.

FIG. 68 is a front view of the occipital pad of the internal padding assembly of the protective sports helmet of FIG. 66.

FIG. 69 is a rear view of the occipital pad of the internal padding assembly of the protective sports helmet of FIG. 66.

FIG. 70 is a top view of the occipital pad of the internal padding assembly of the protective sports helmet of FIG. 66.

FIG. 71 is a bottom view of the occipital pad of the internal padding assembly of the protective sports helmet of FIG. 66.

FIG. 72 is a right view of the occipital pad of the internal padding assembly of the protective sports helmet of FIG. 66; and,

FIG. 73 is a left view of the occipital pad of the internal padding assembly of the protective sports helmet of FIG. 66.

Those portions of the present invention which are presented in broken or dotted lines show the environment of the design only and form no part of the claimed design. Moreover, any shading presented in the accompanying drawings is provided merely to highlight the contour of the invention and is not intended to be illustrative of texture or gloss.

FIGS. 10-73 separately show individual pad members of the internal padding assembly (of FIGS. 1-9) for ease of comprehension.

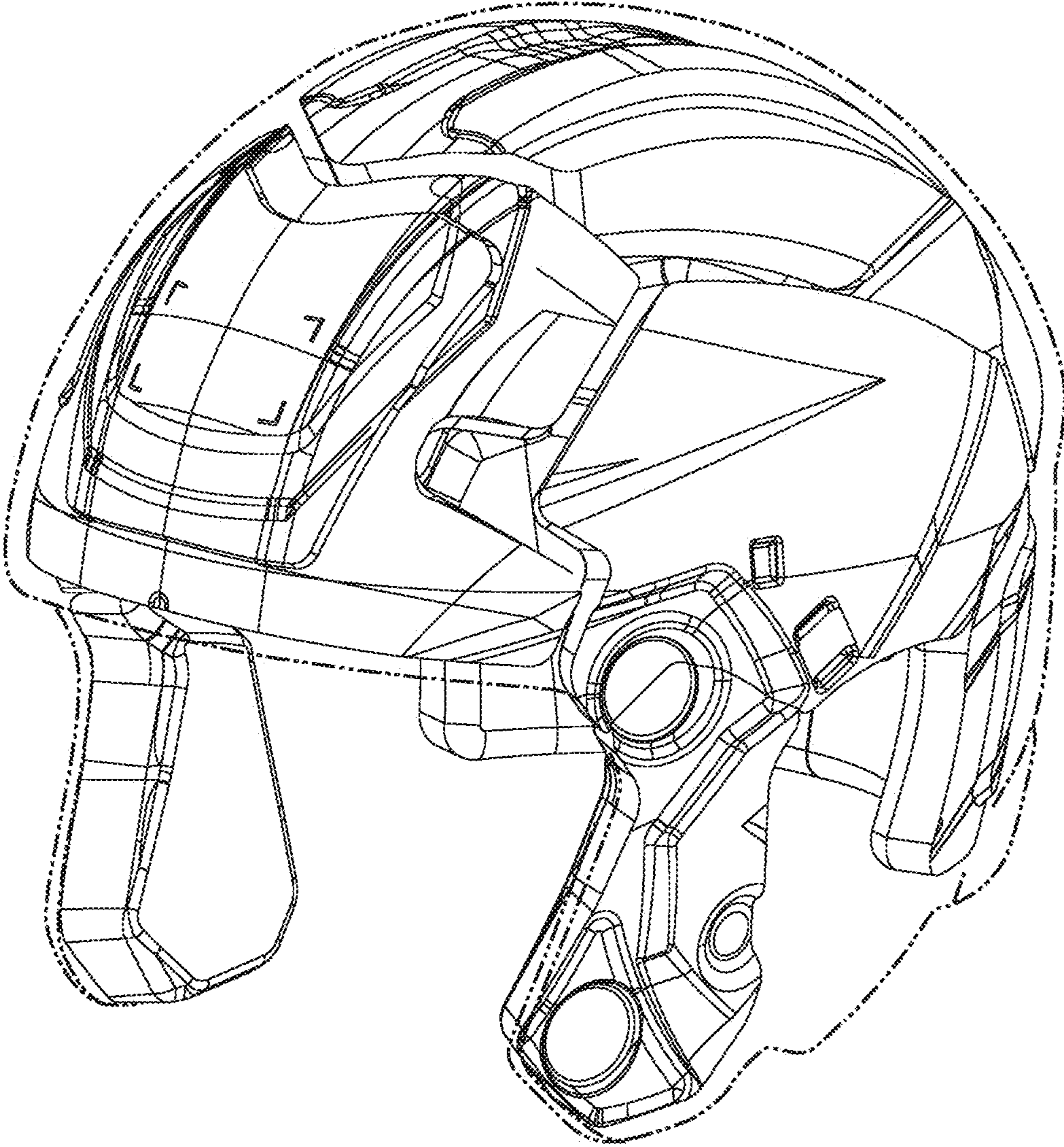


FIG. 1

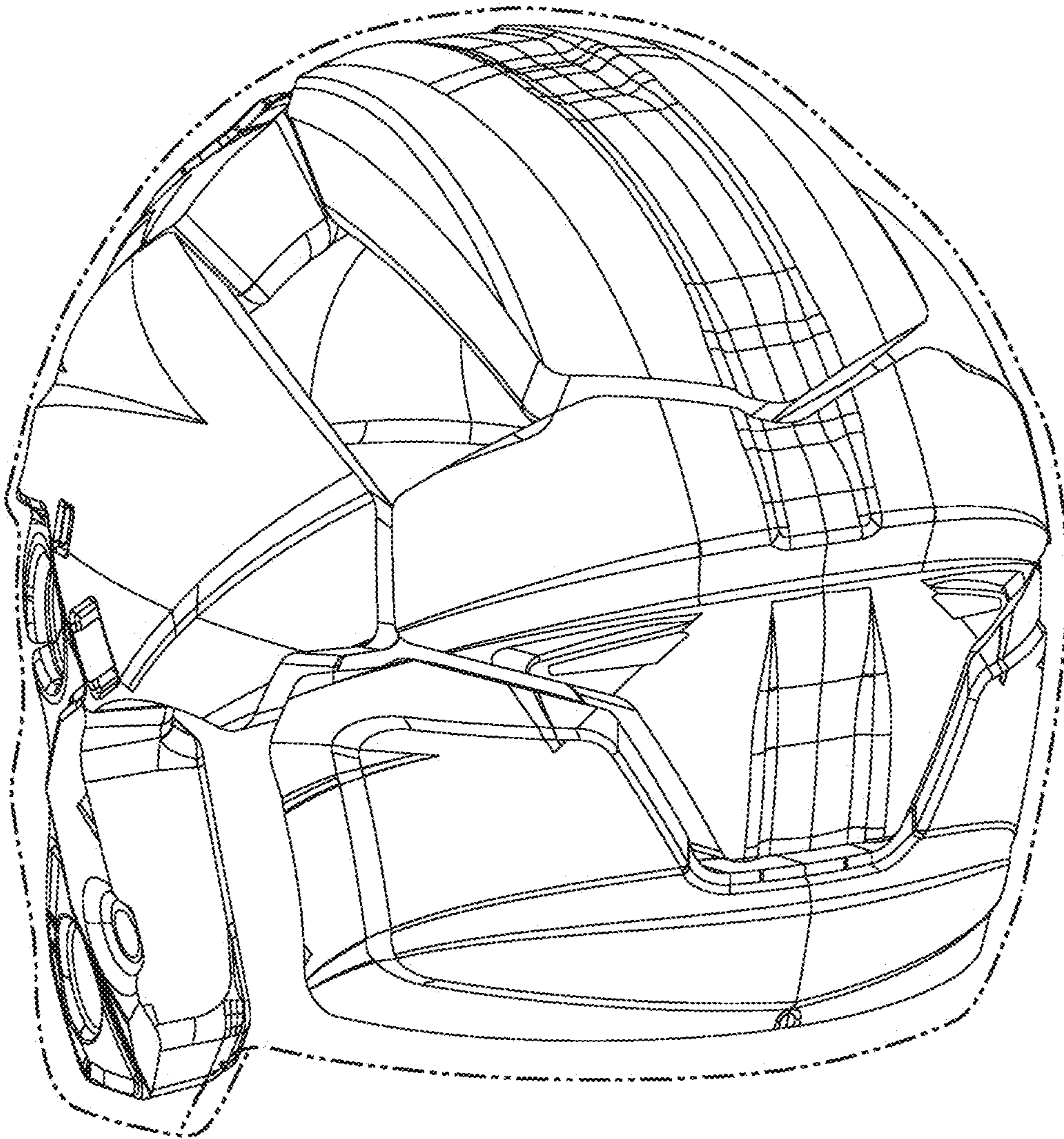


FIG. 2

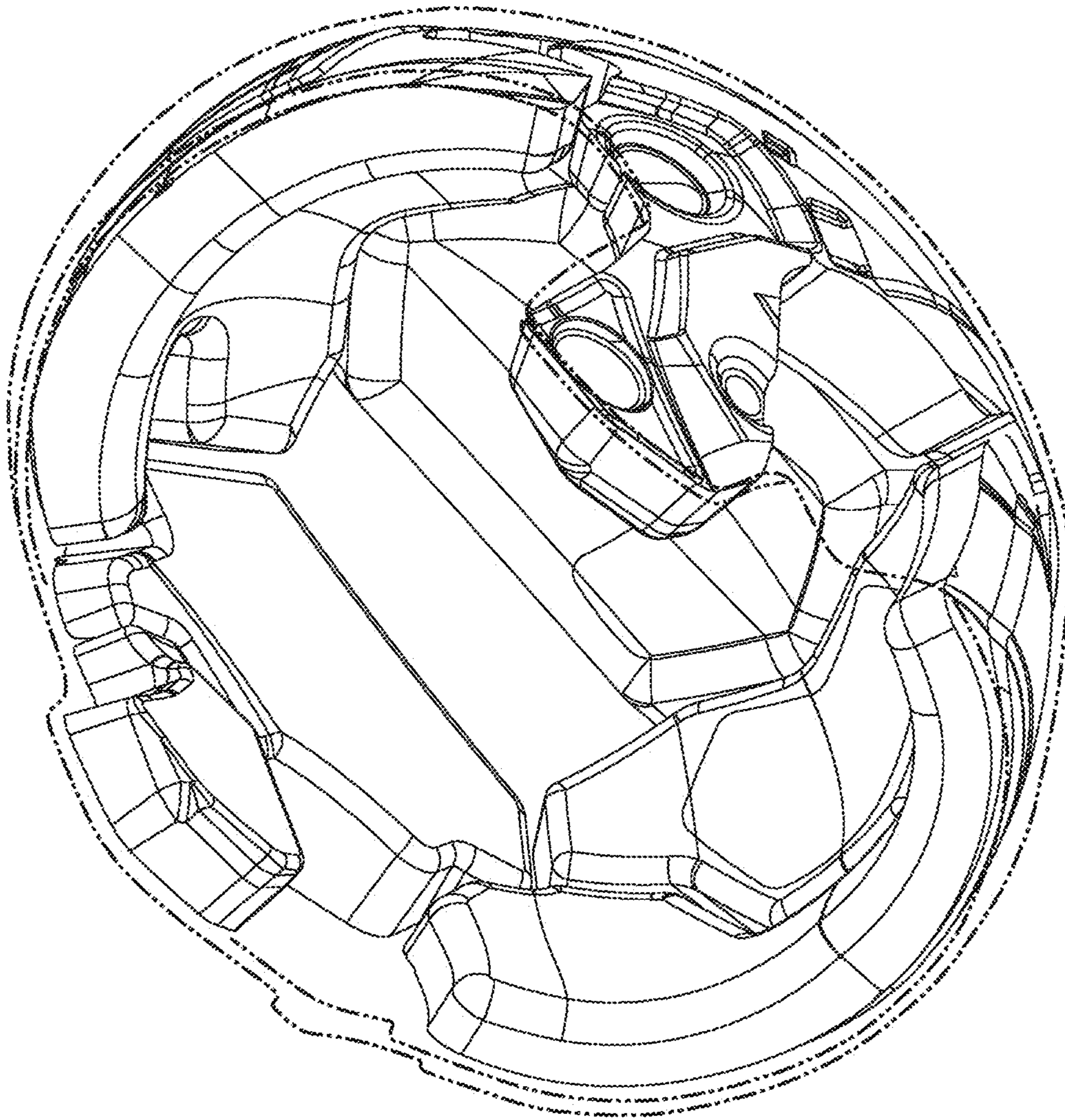


FIG. 3

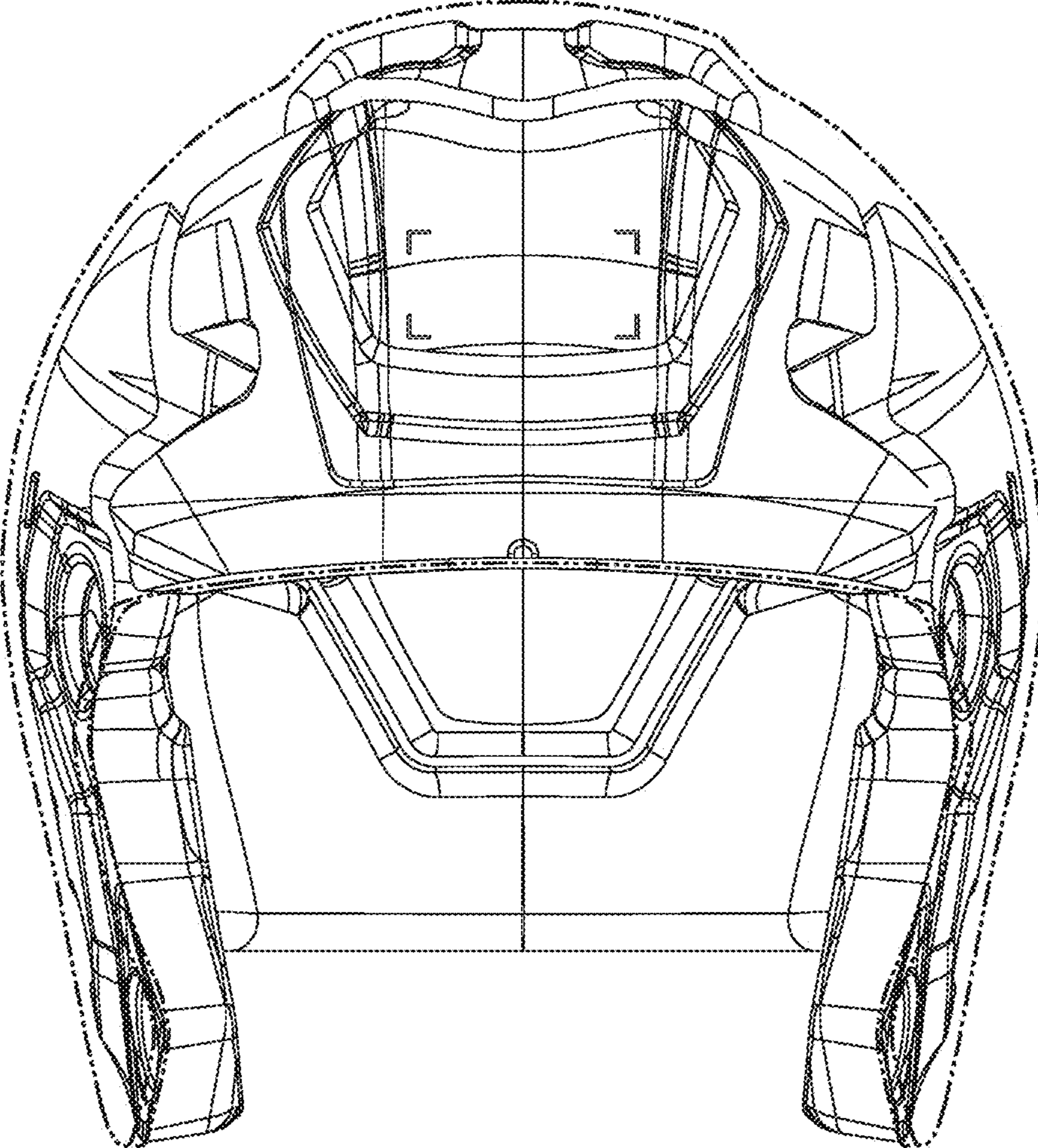


FIG. 4

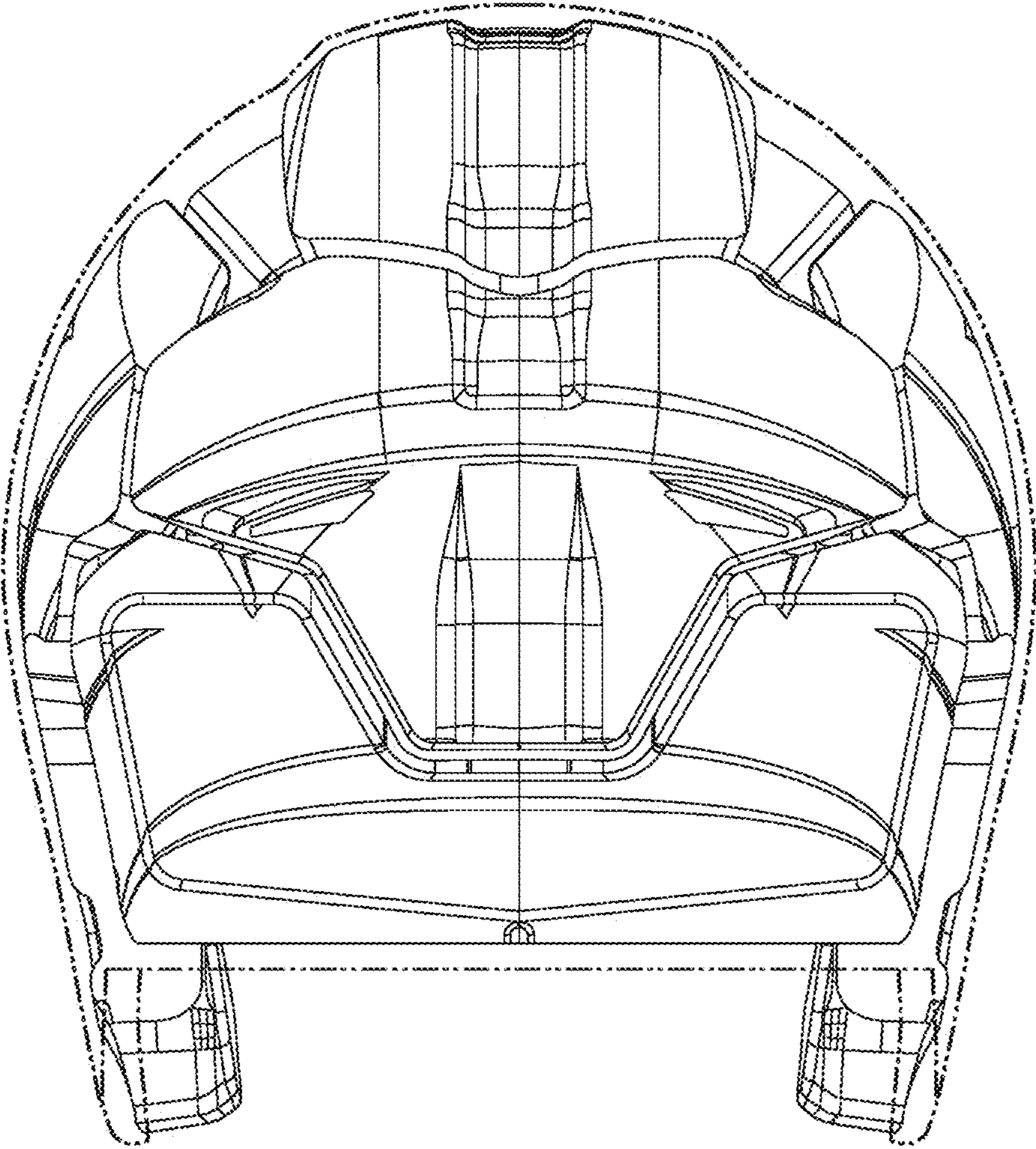


FIG. 5

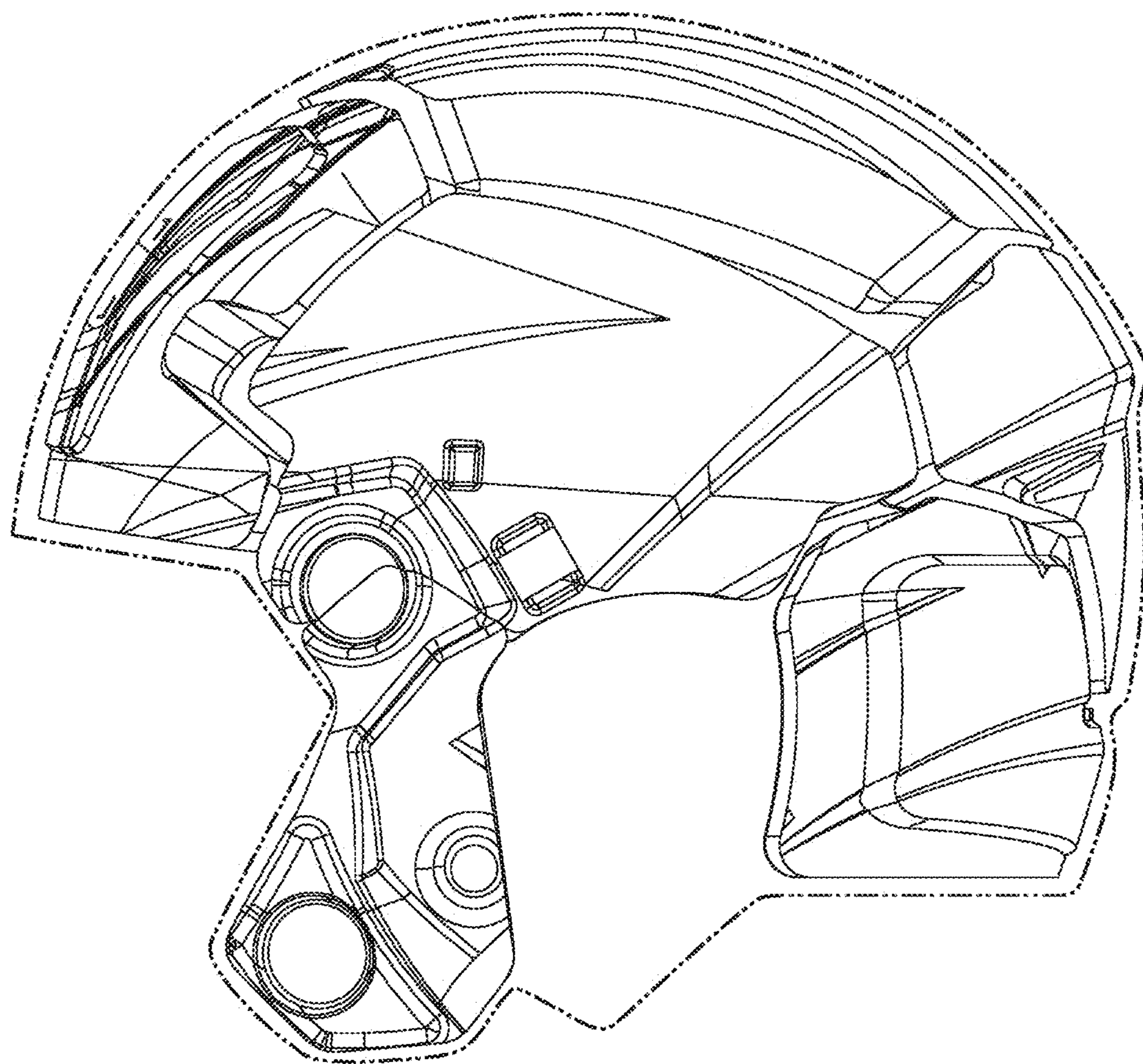


FIG. 6

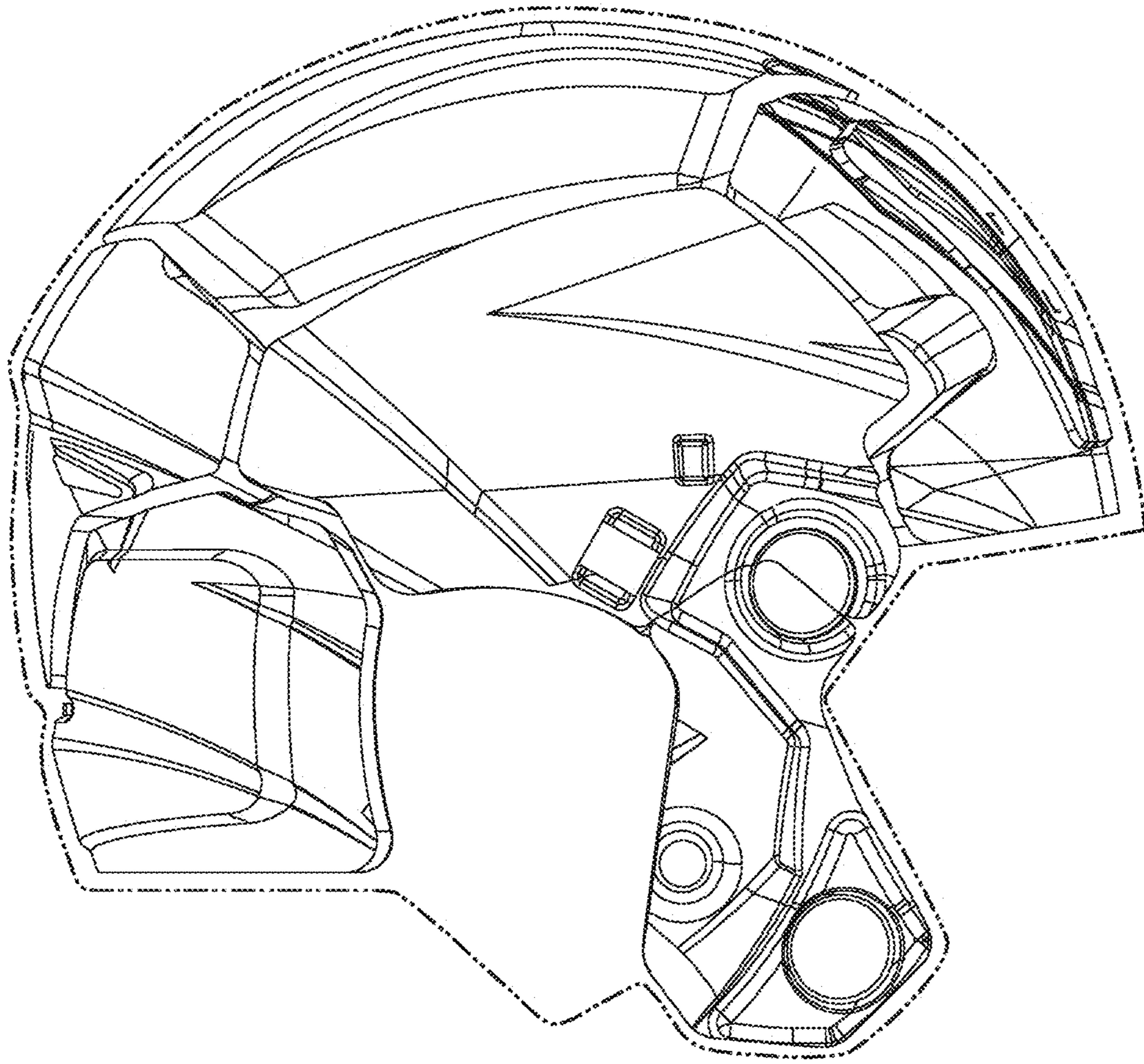


FIG. 7

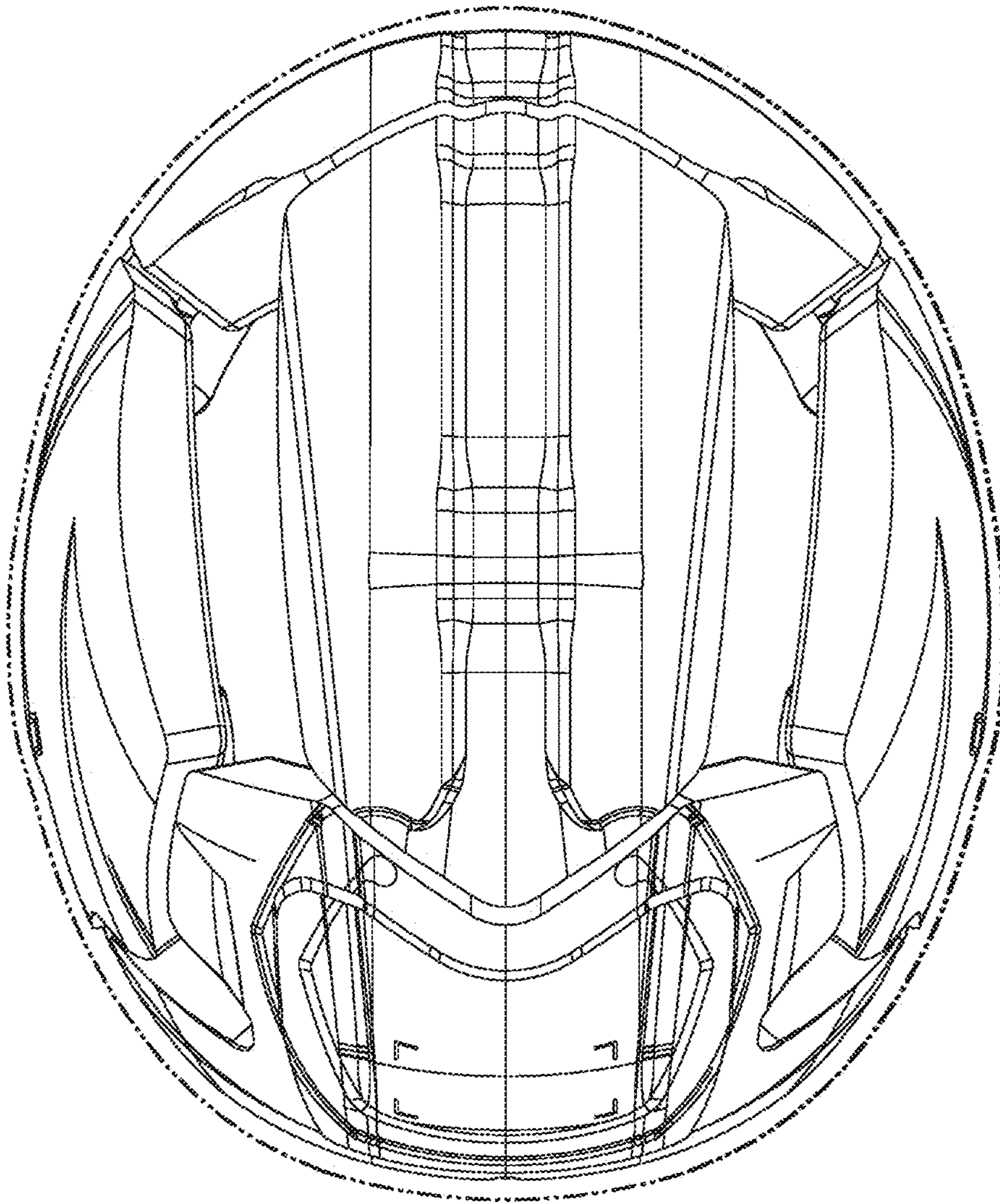


FIG. 8

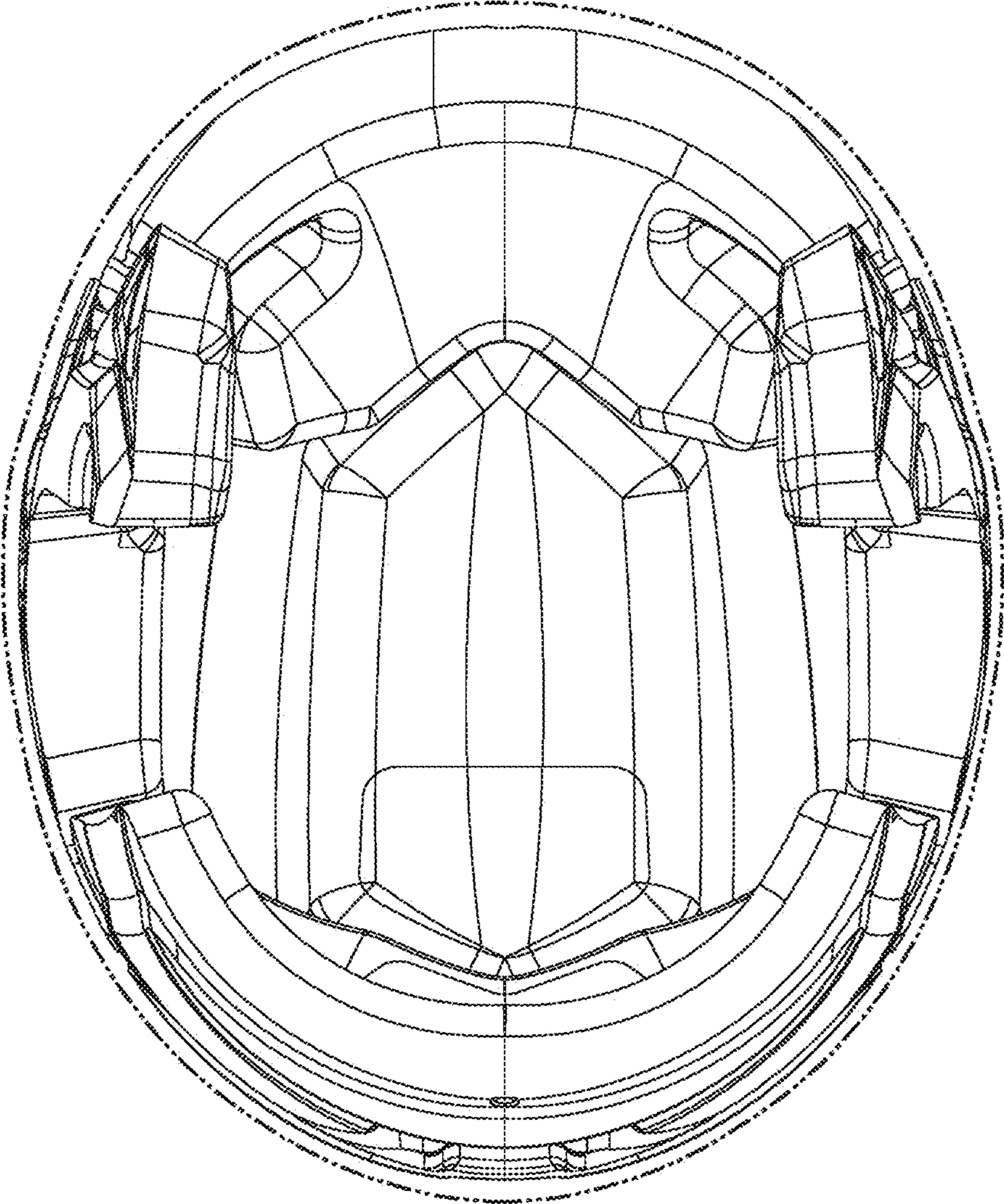


FIG. 9

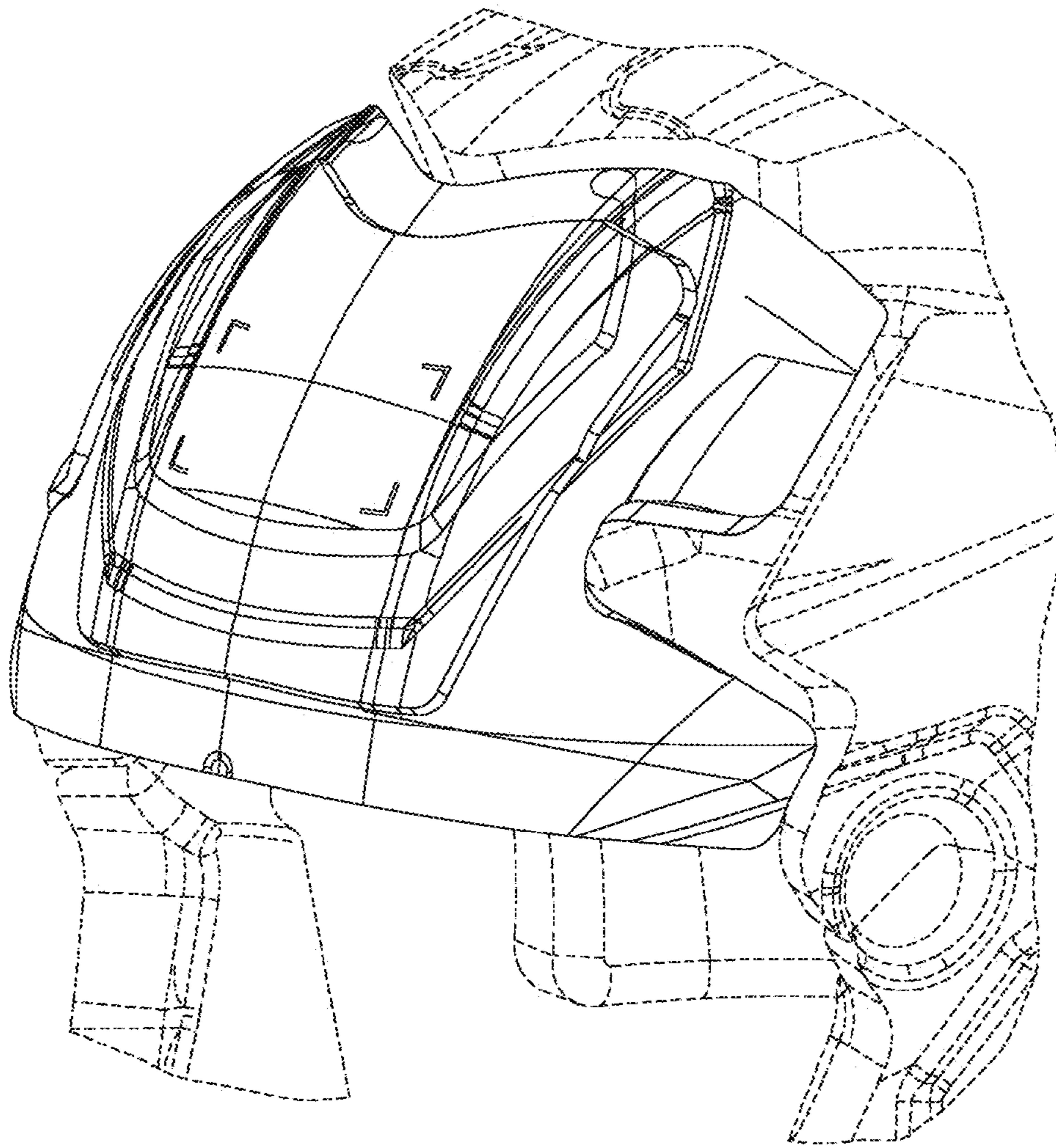


FIG. 10

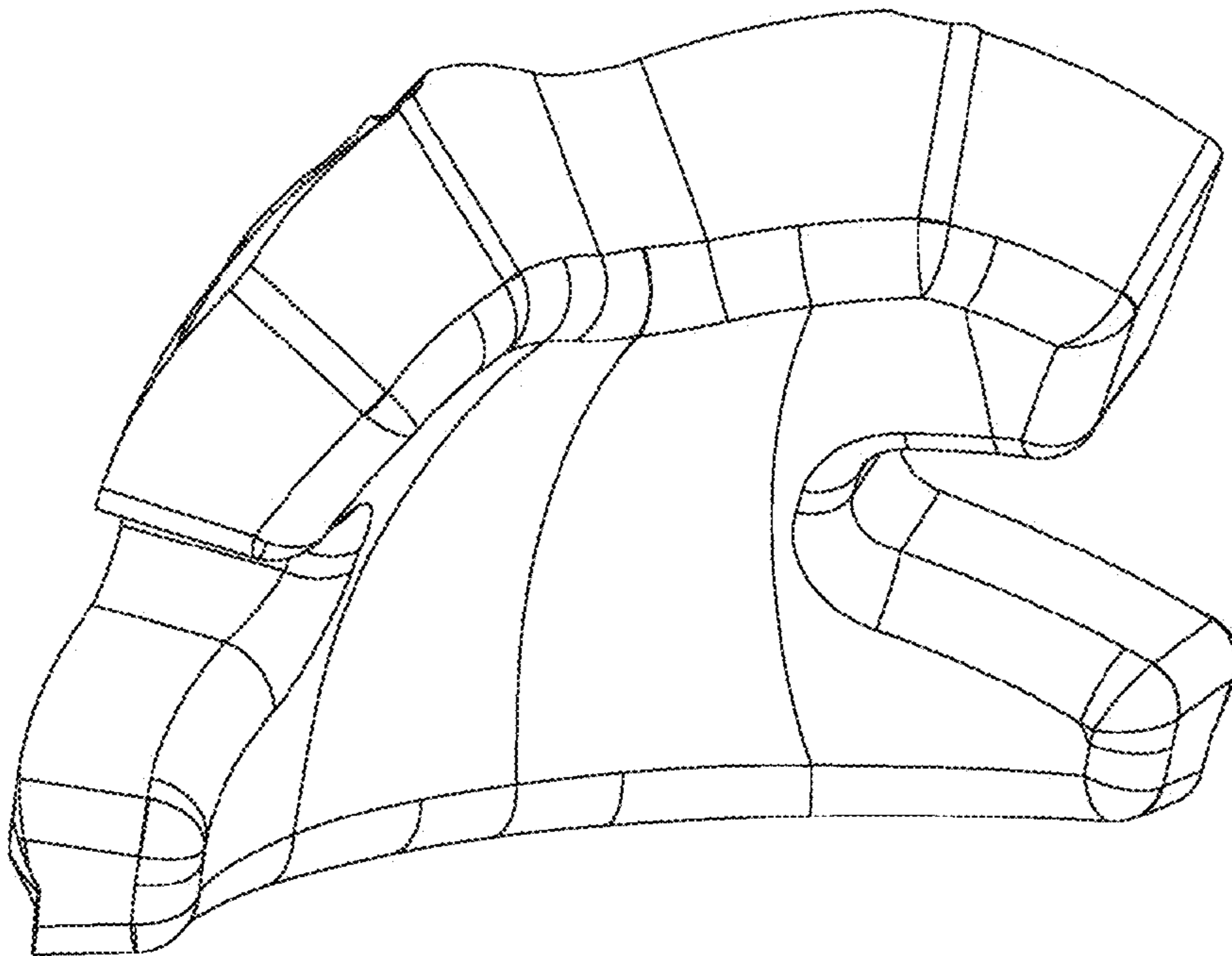


FIG. 11

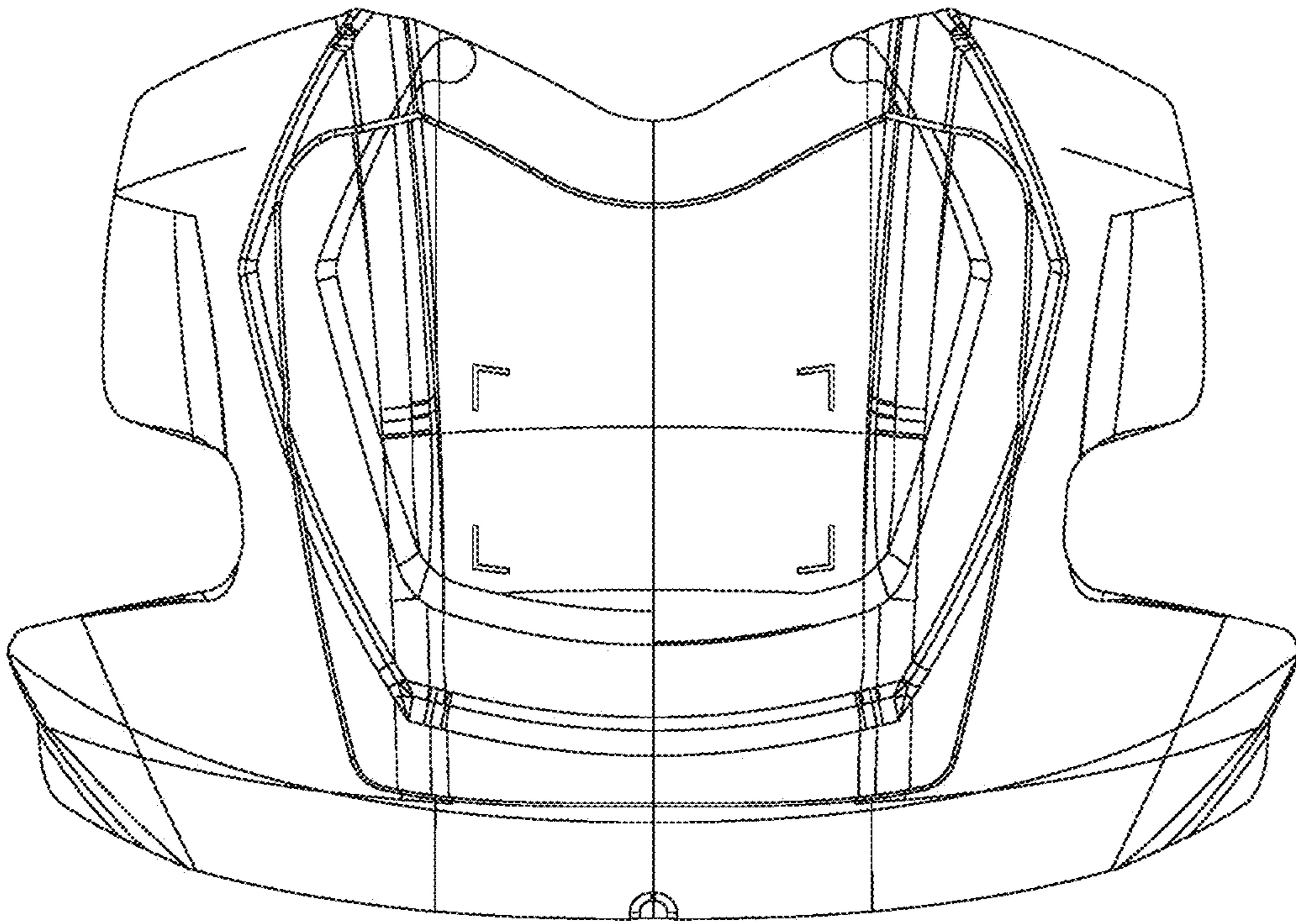


FIG. 12

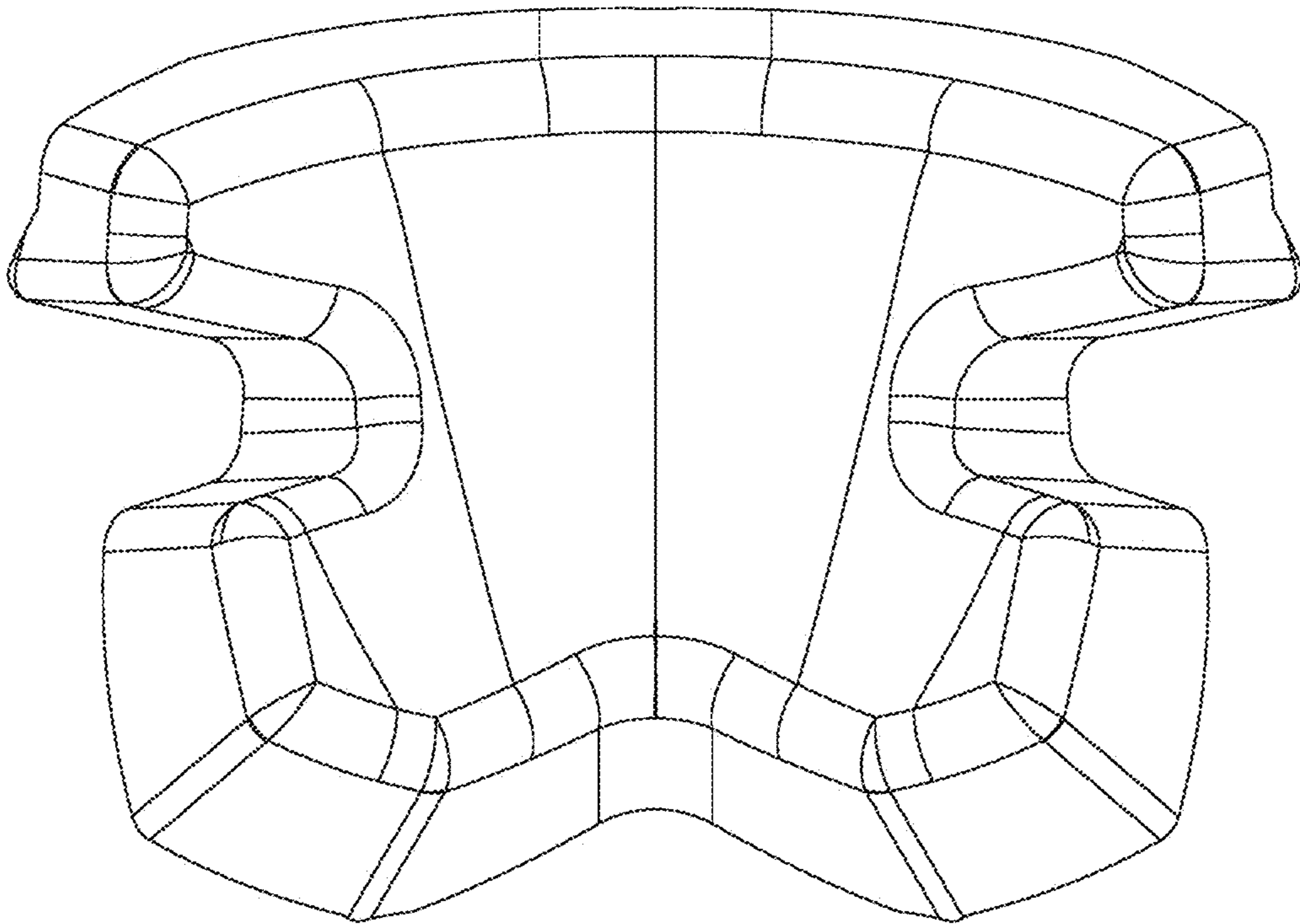


FIG. 13

FIG. 14

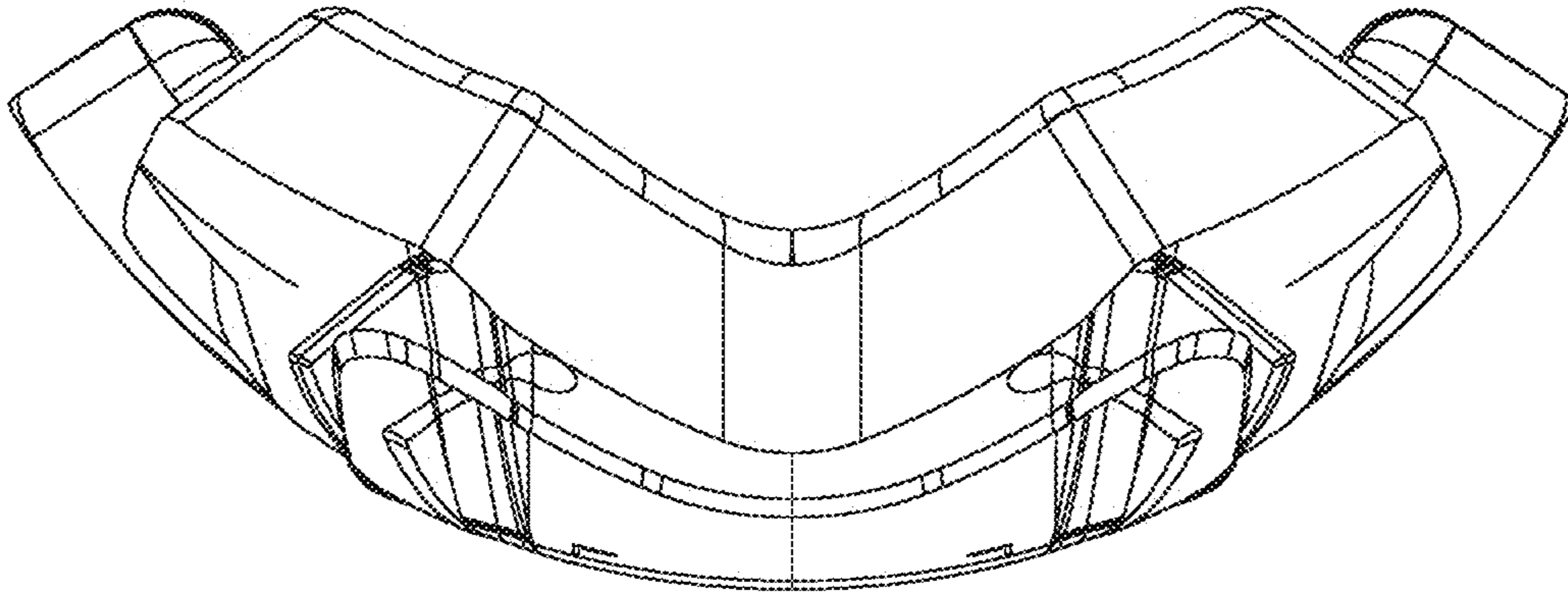
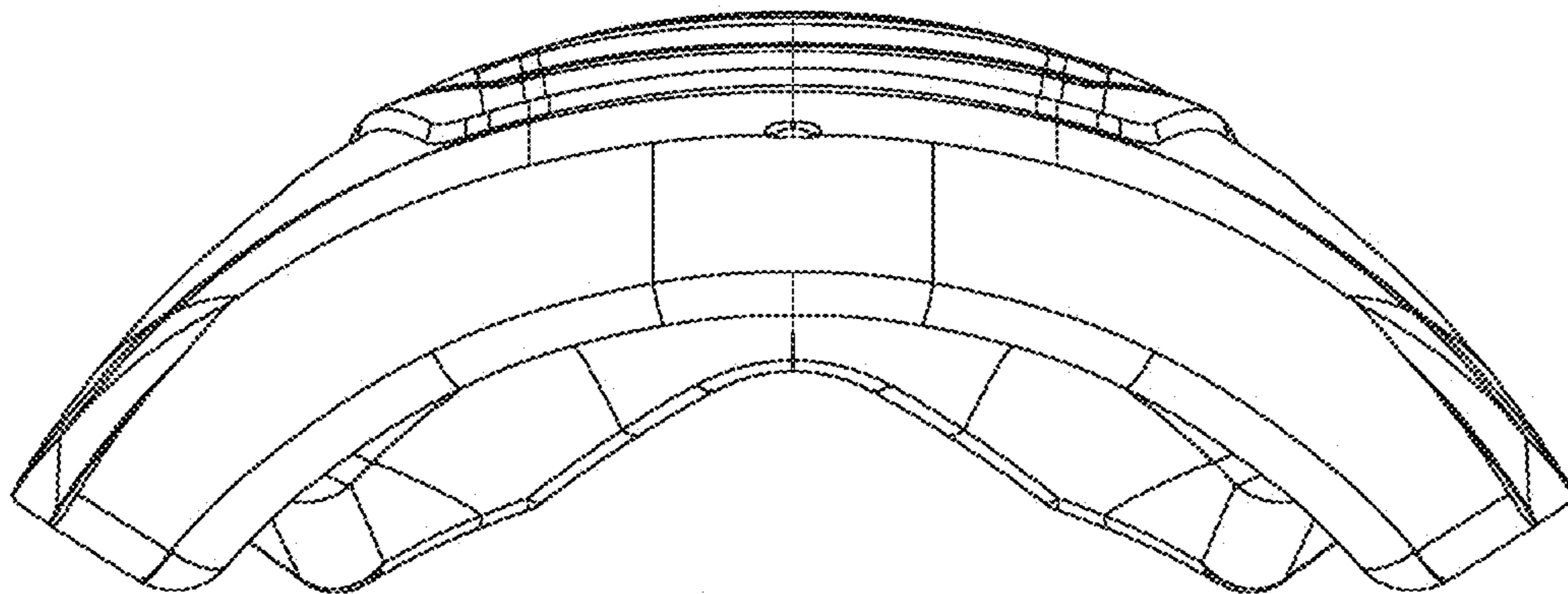


FIG. 15



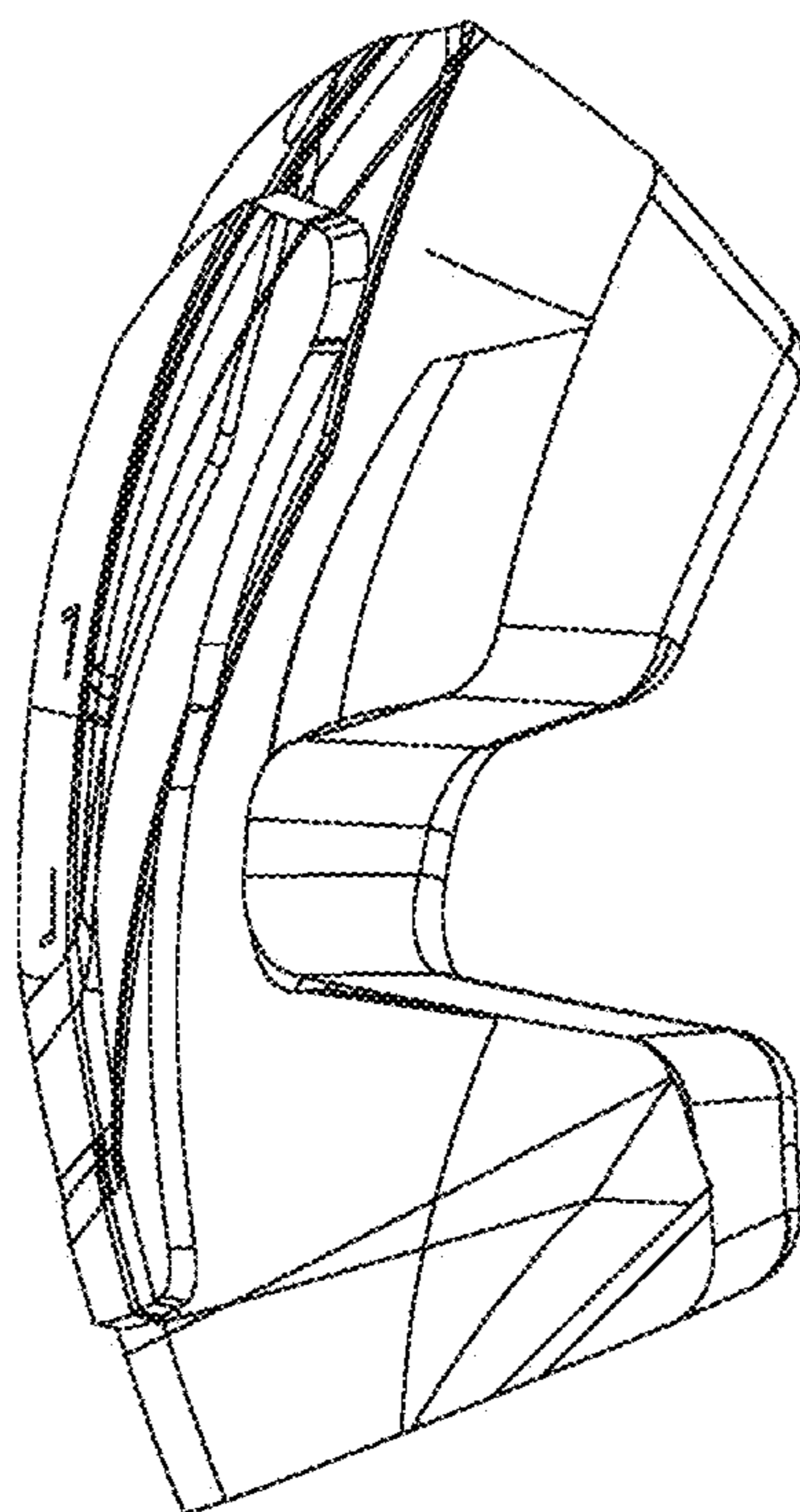


FIG. 16

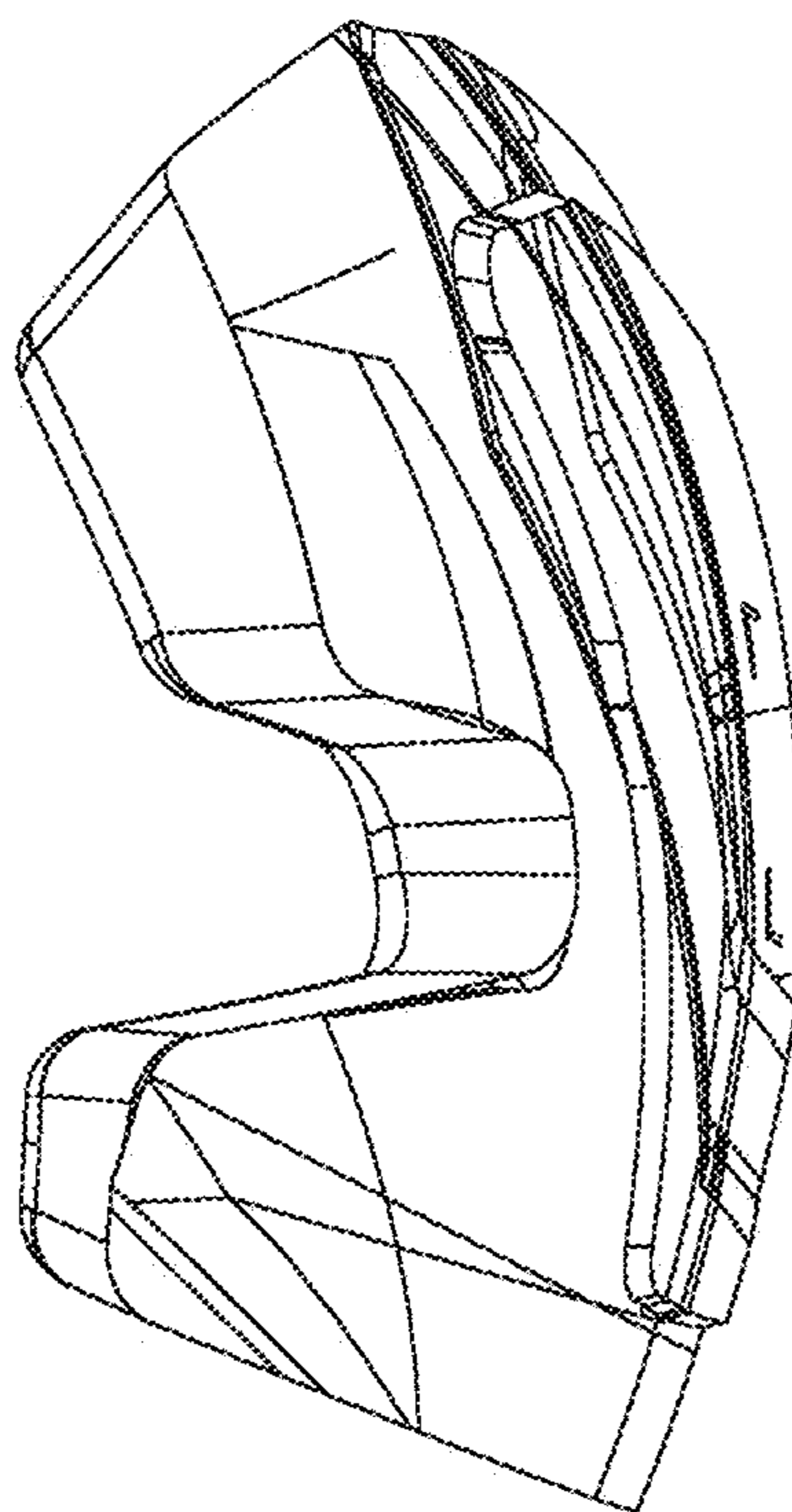


FIG. 17

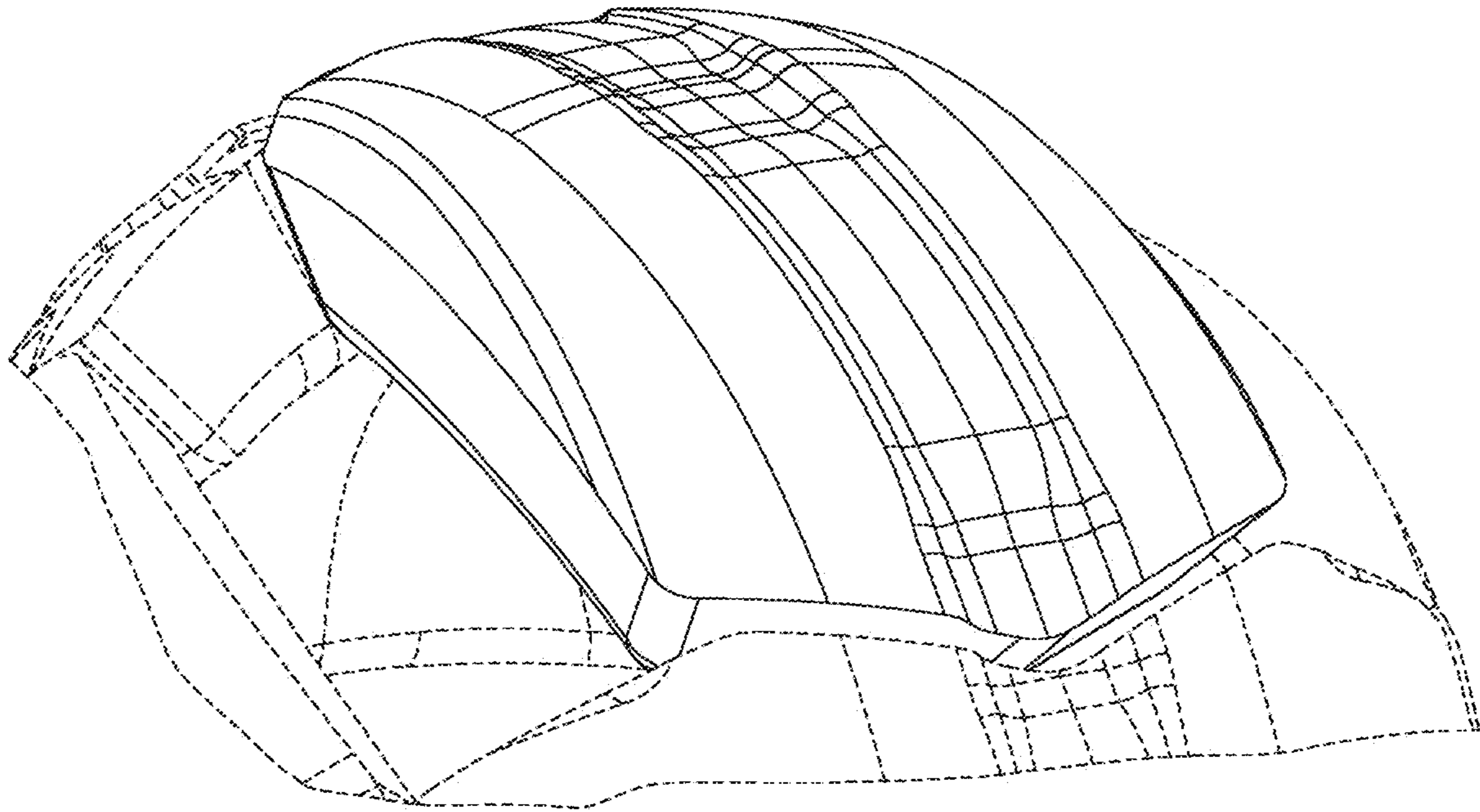


FIG. 18

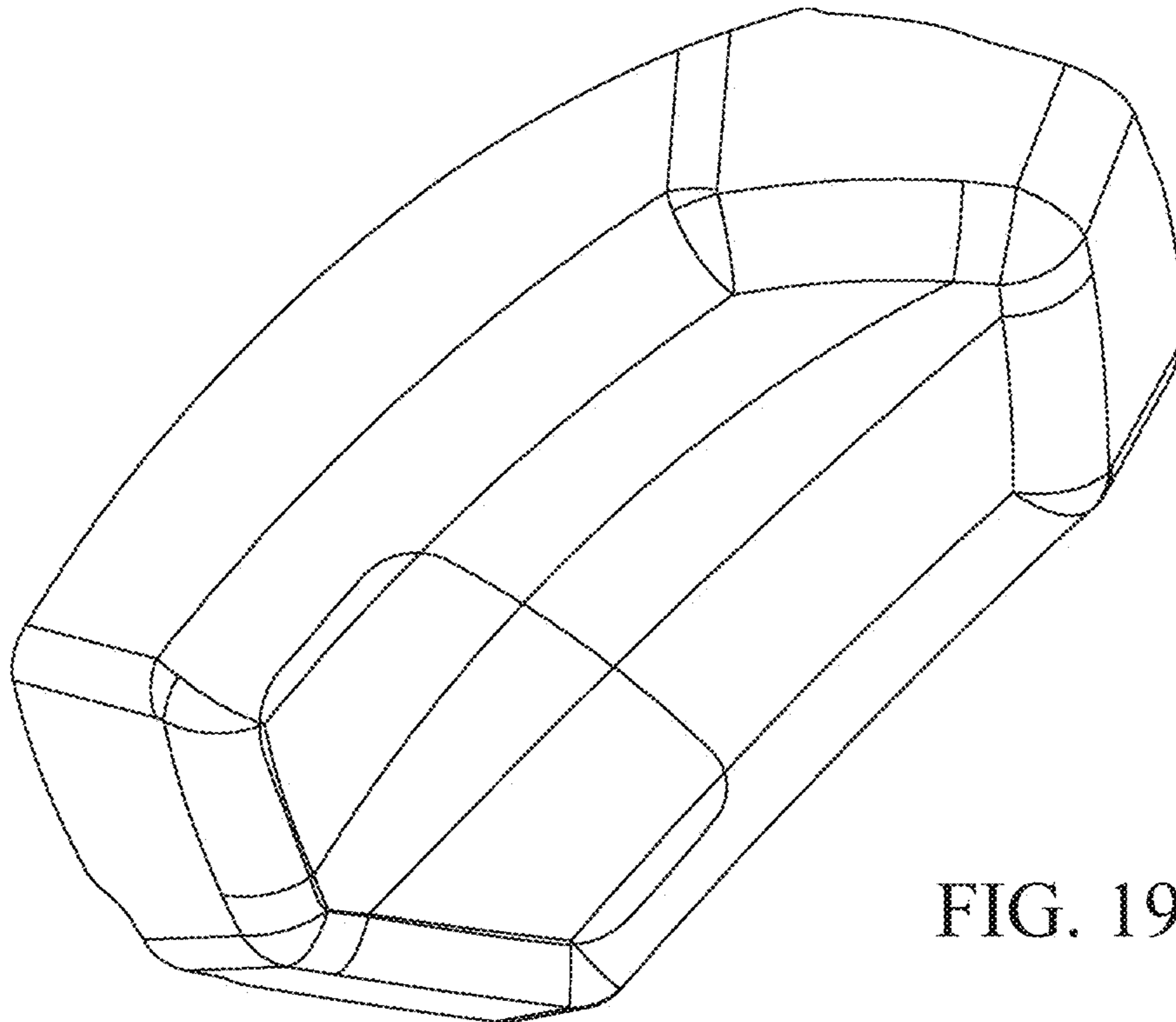


FIG. 19

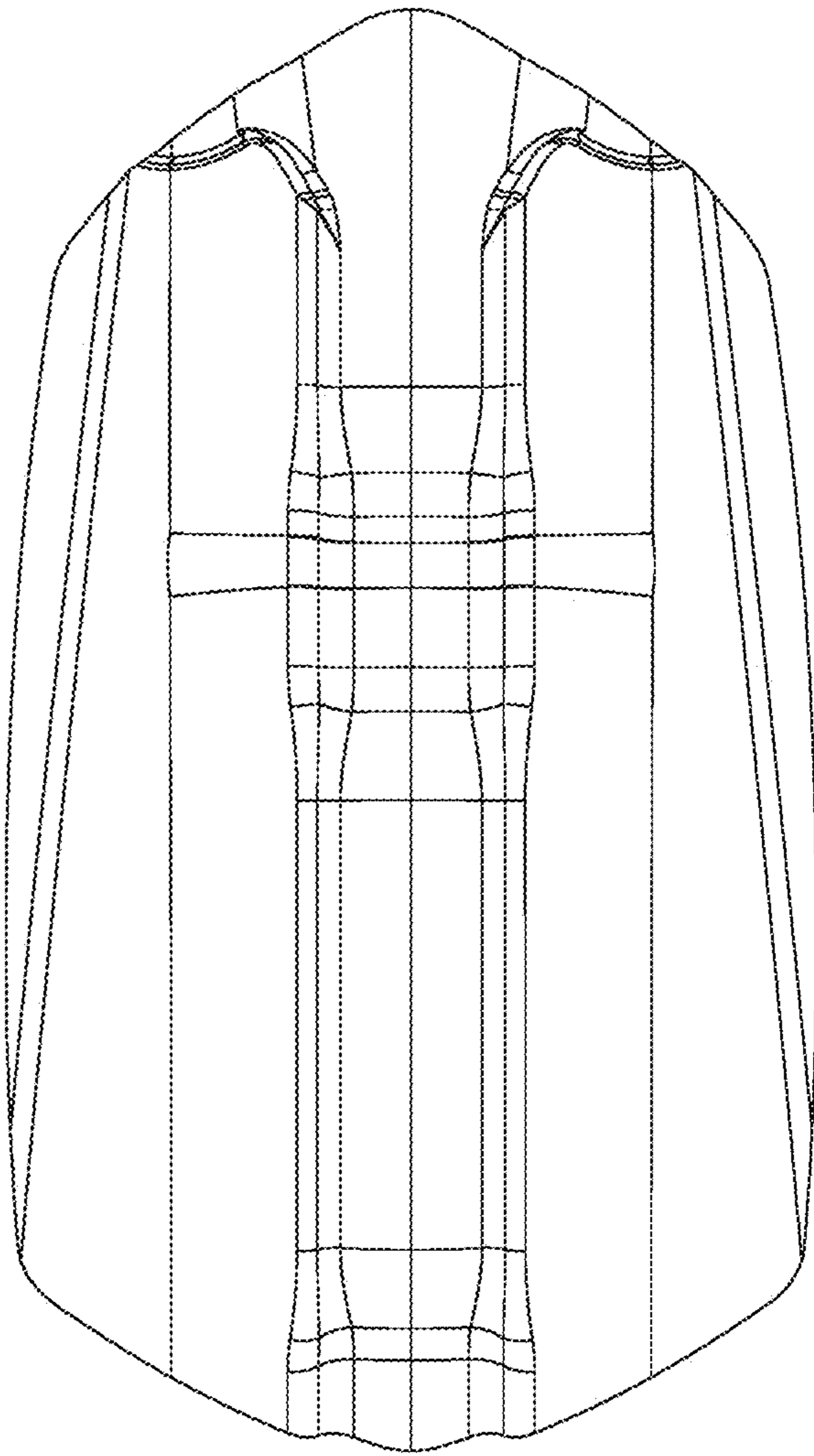
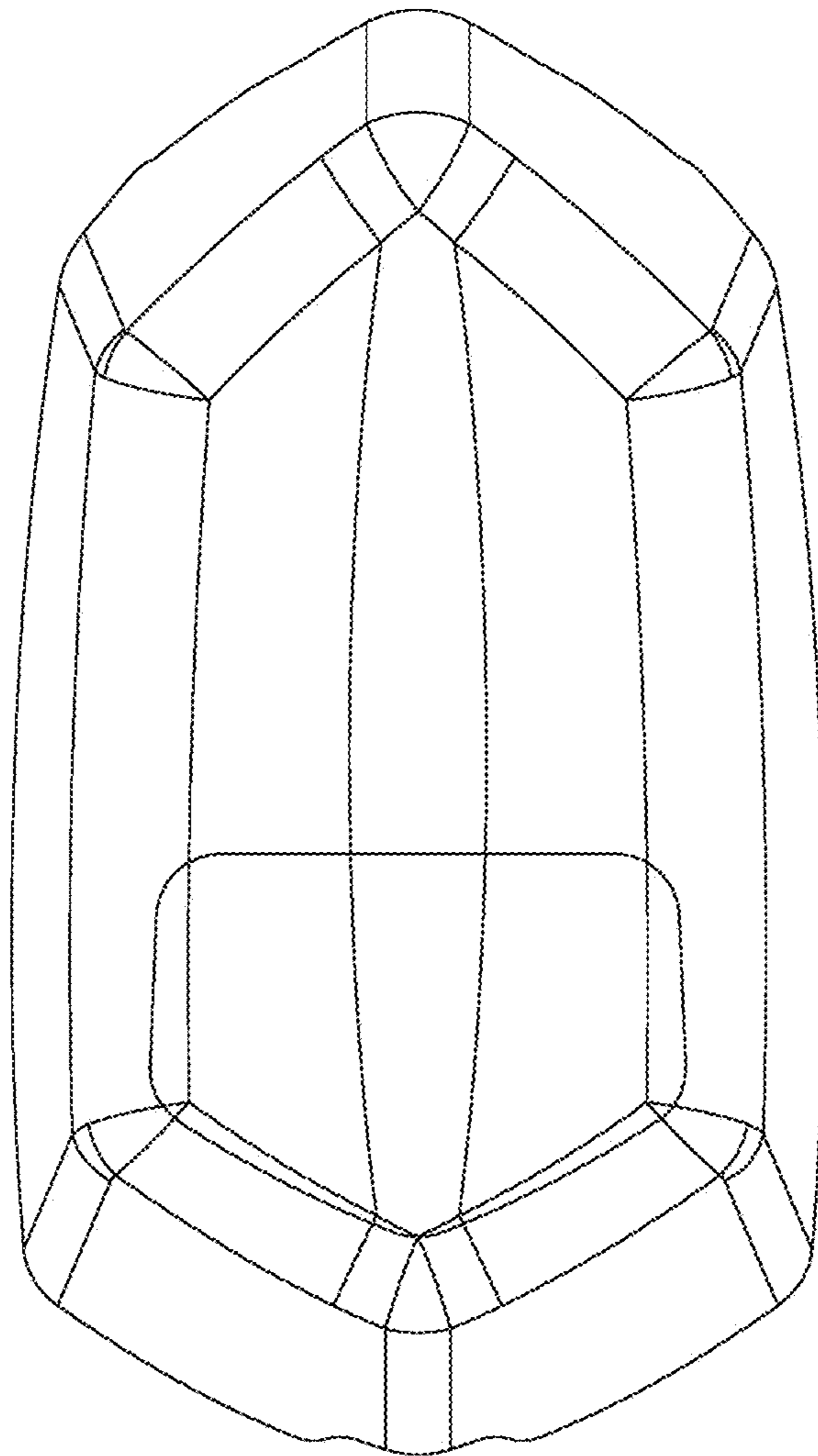


FIG. 20

FIG. 21



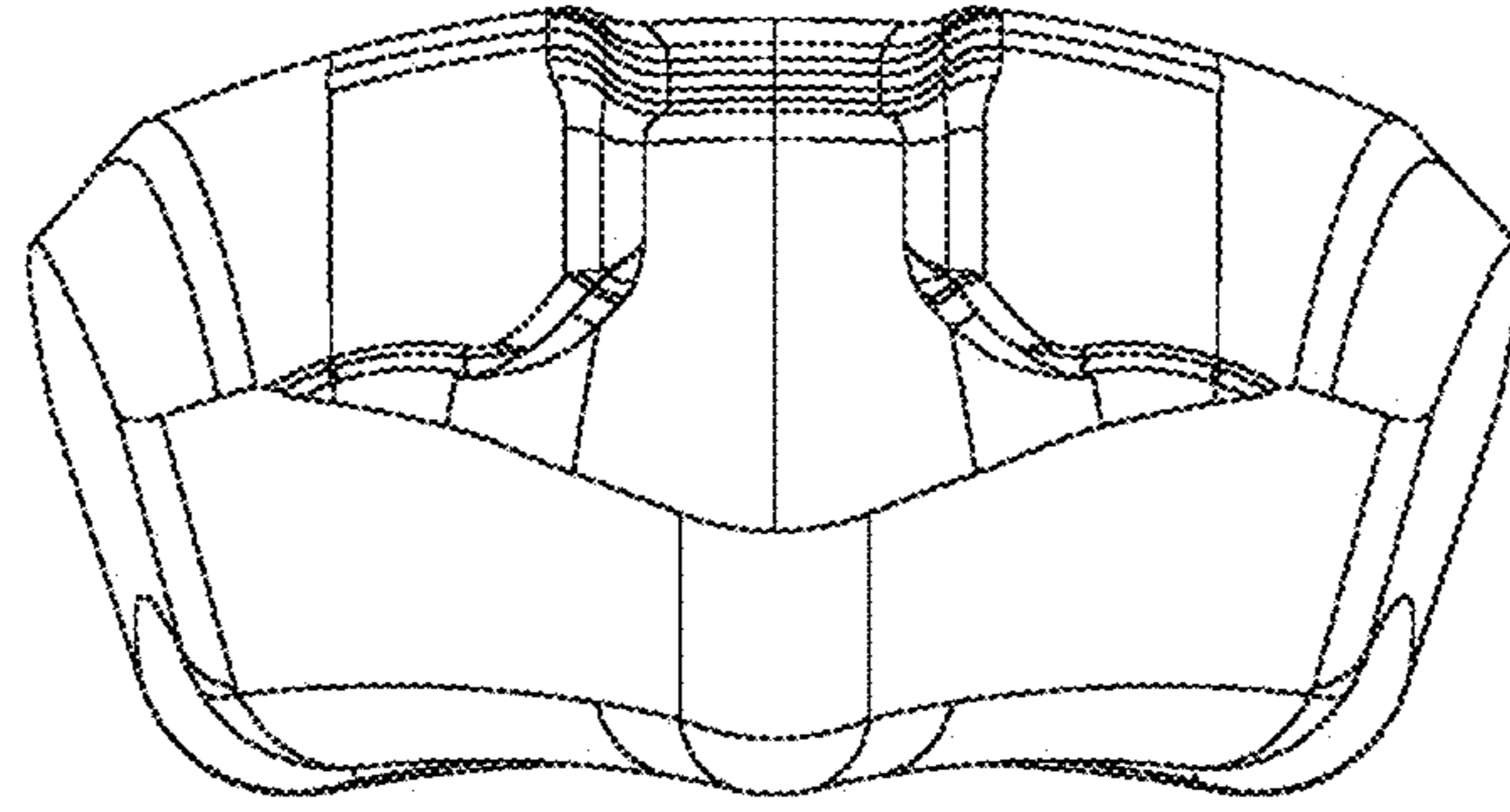


FIG. 22

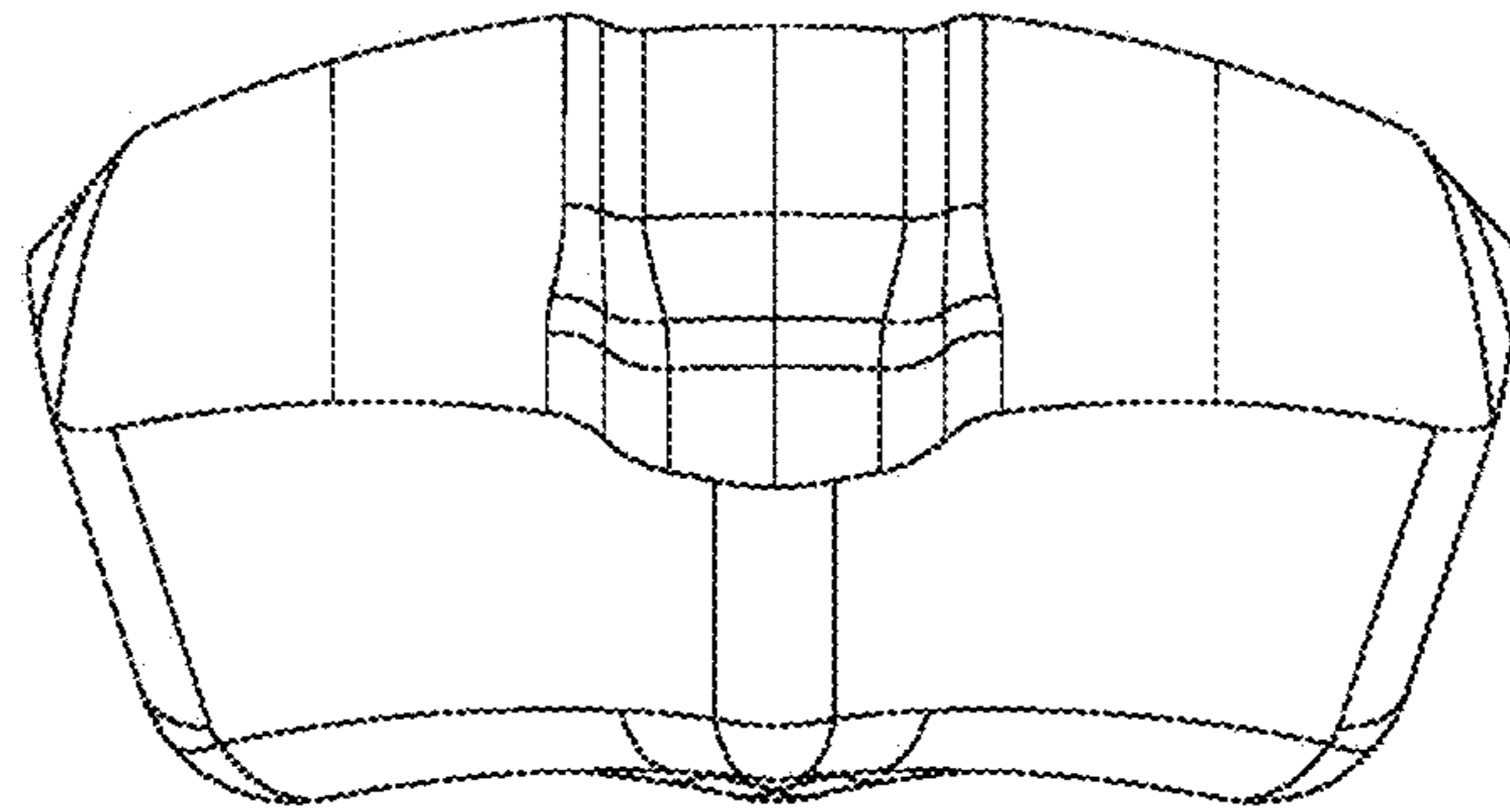


FIG. 23

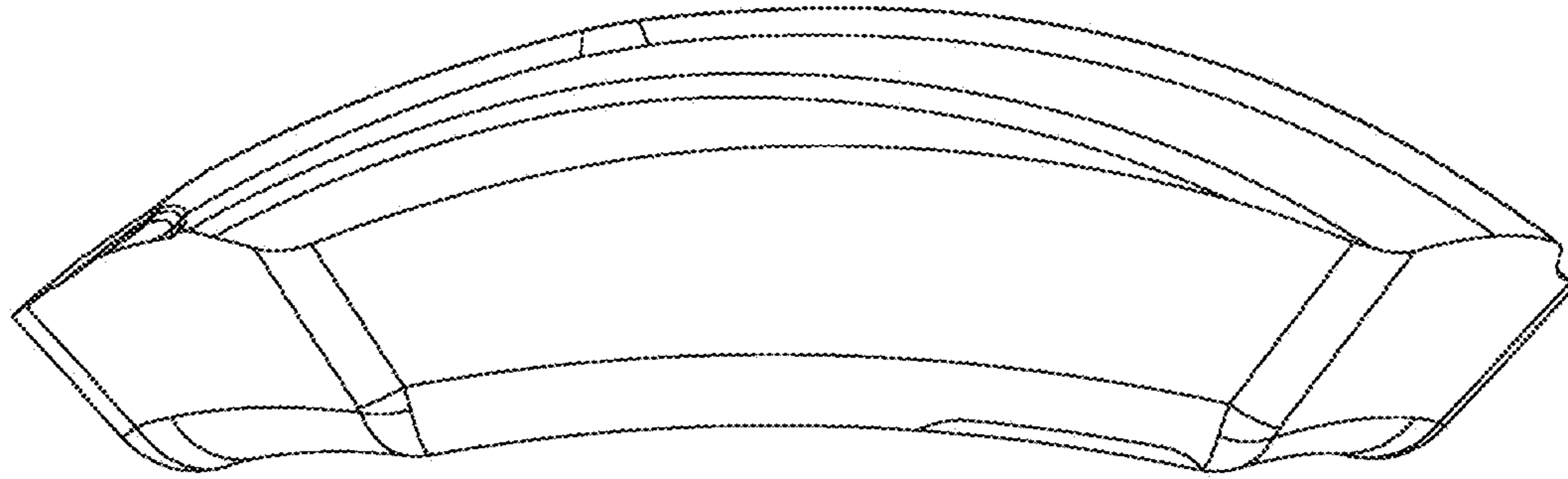


FIG. 24

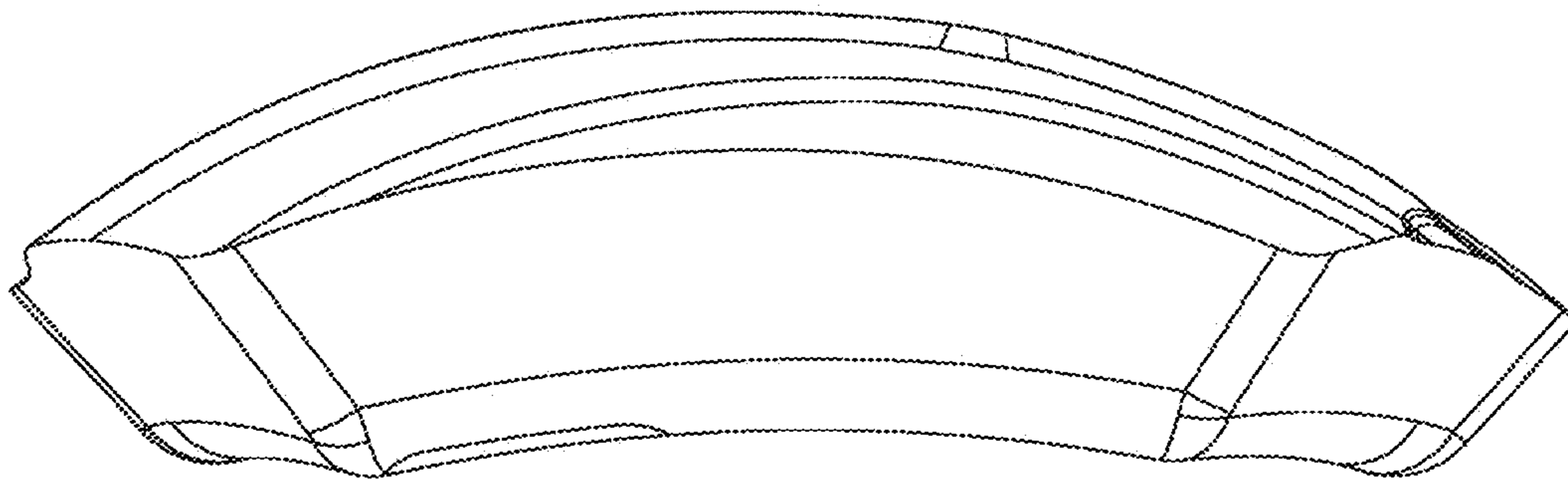


FIG. 25

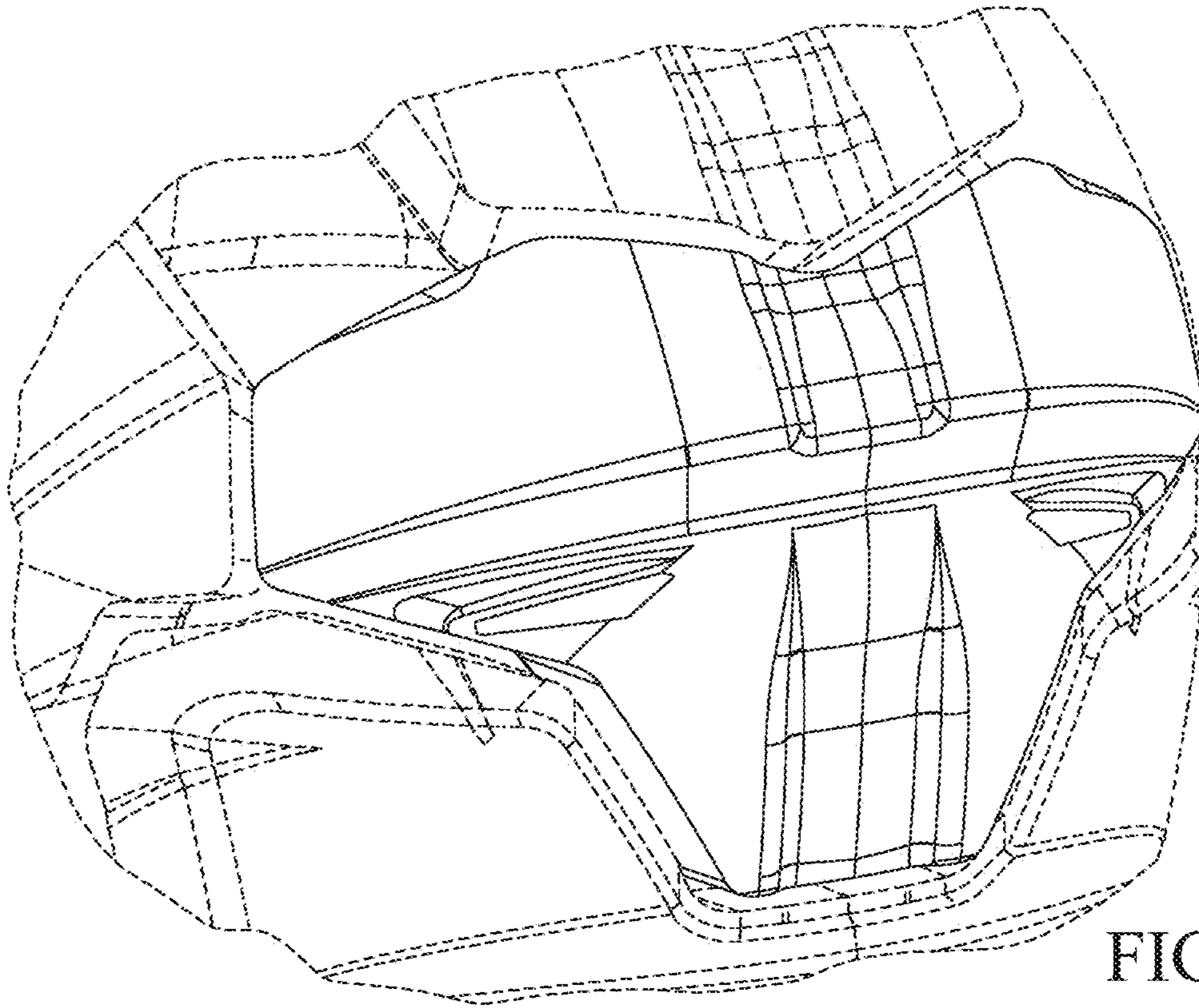


FIG. 26

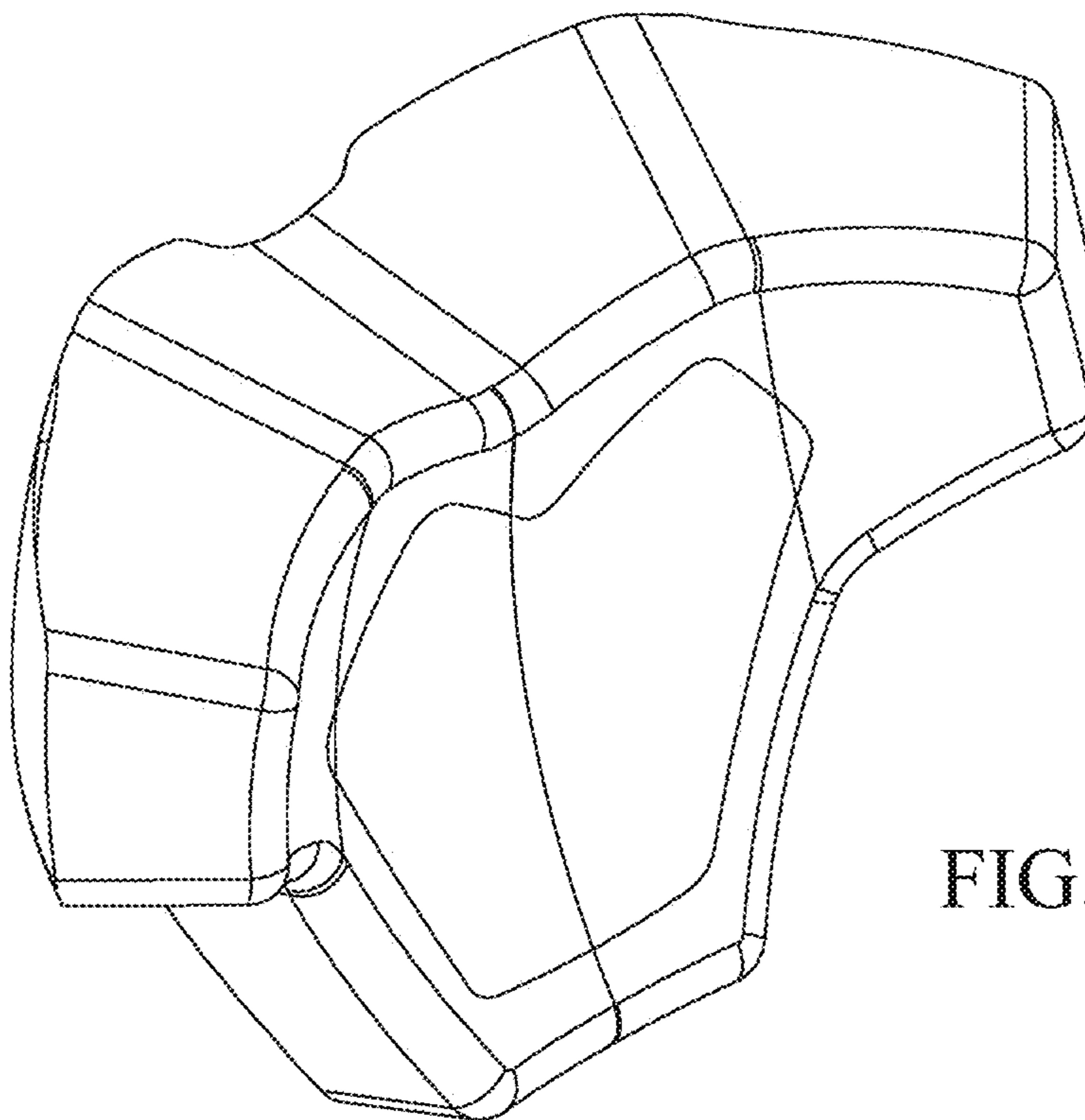


FIG. 27

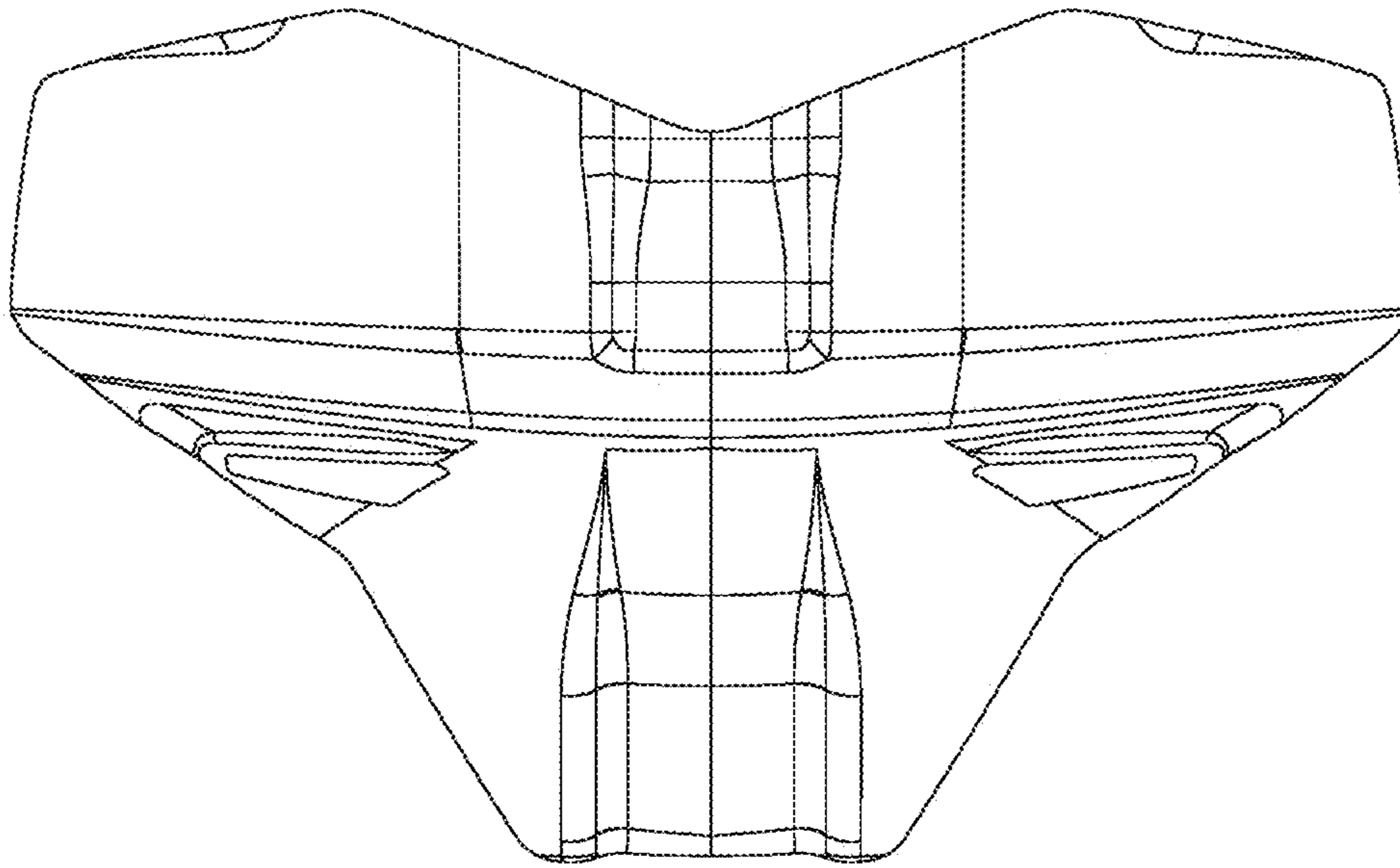


FIG. 28

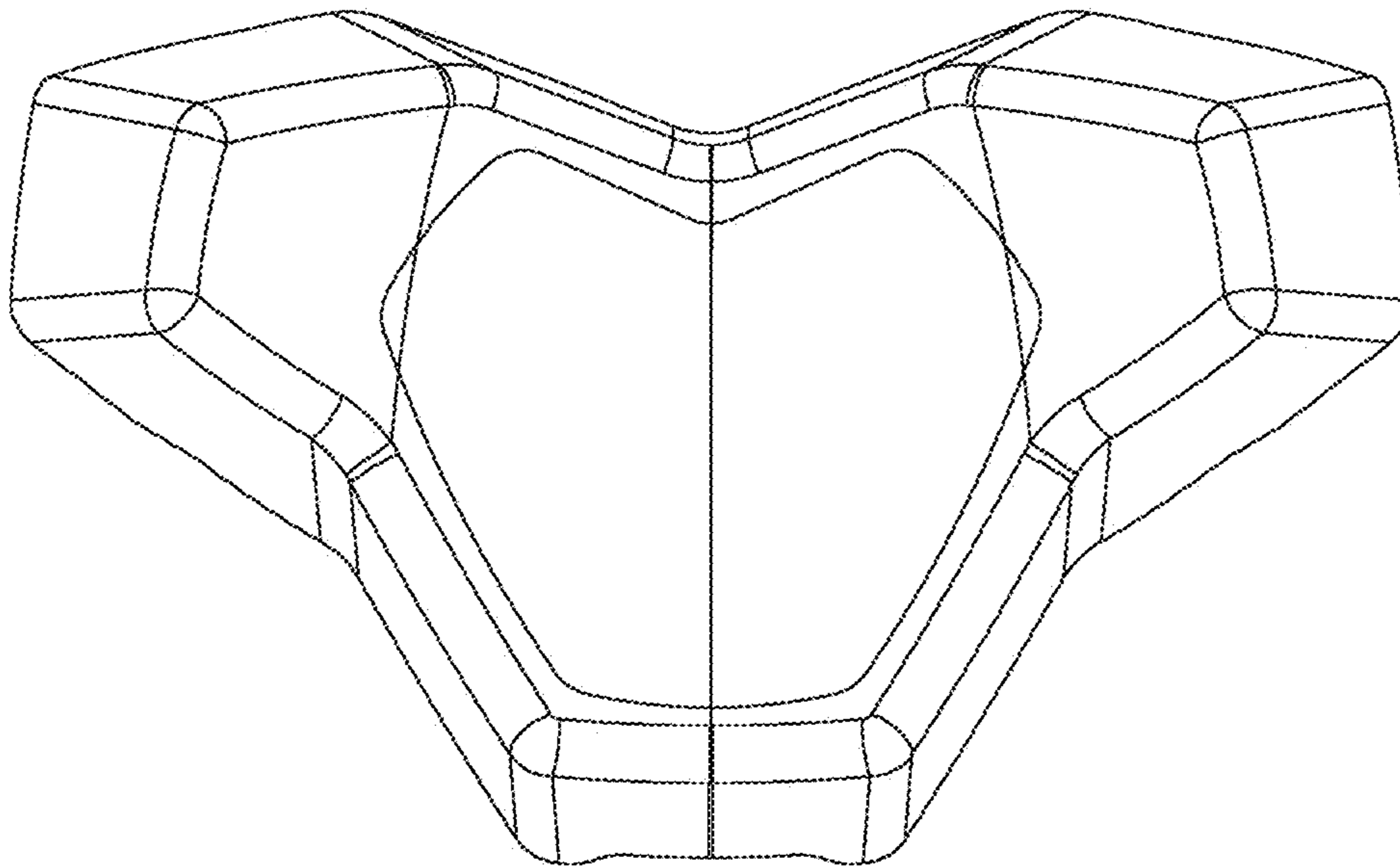


FIG. 29

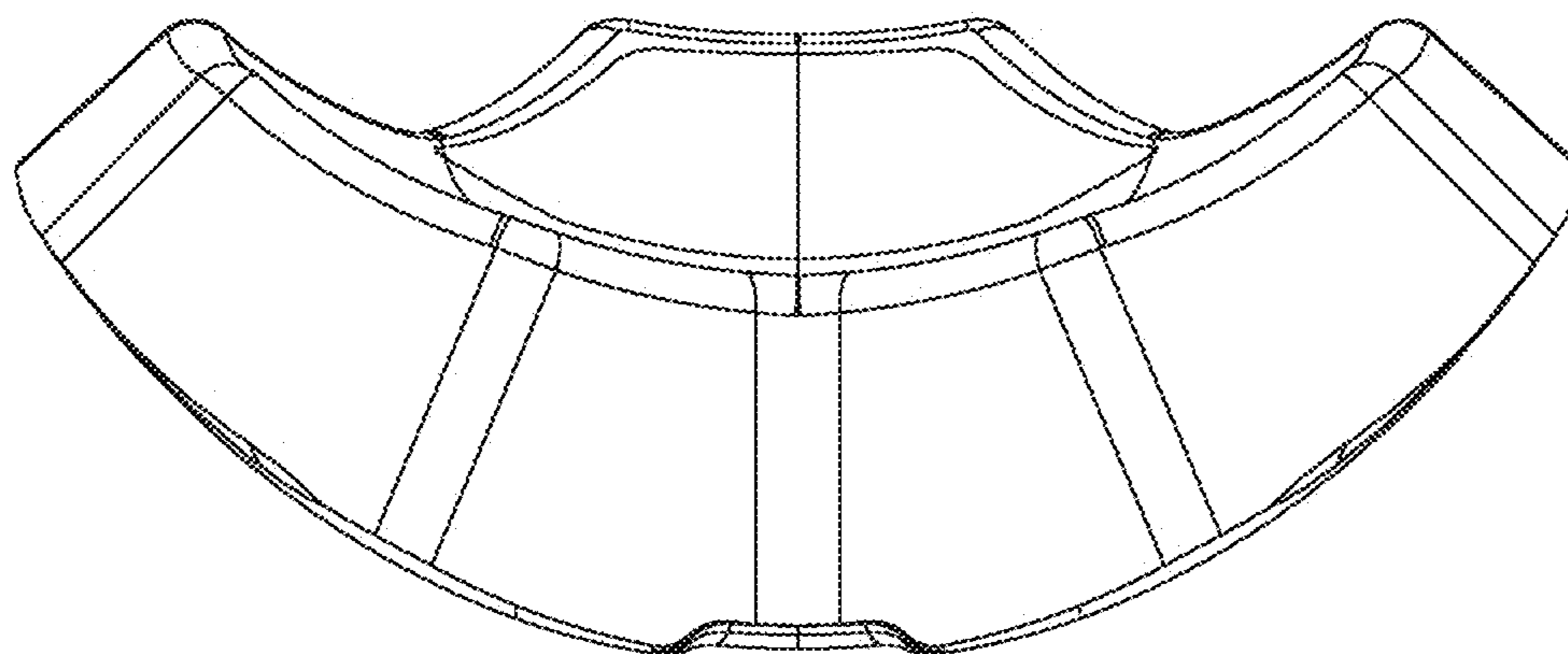


FIG. 30

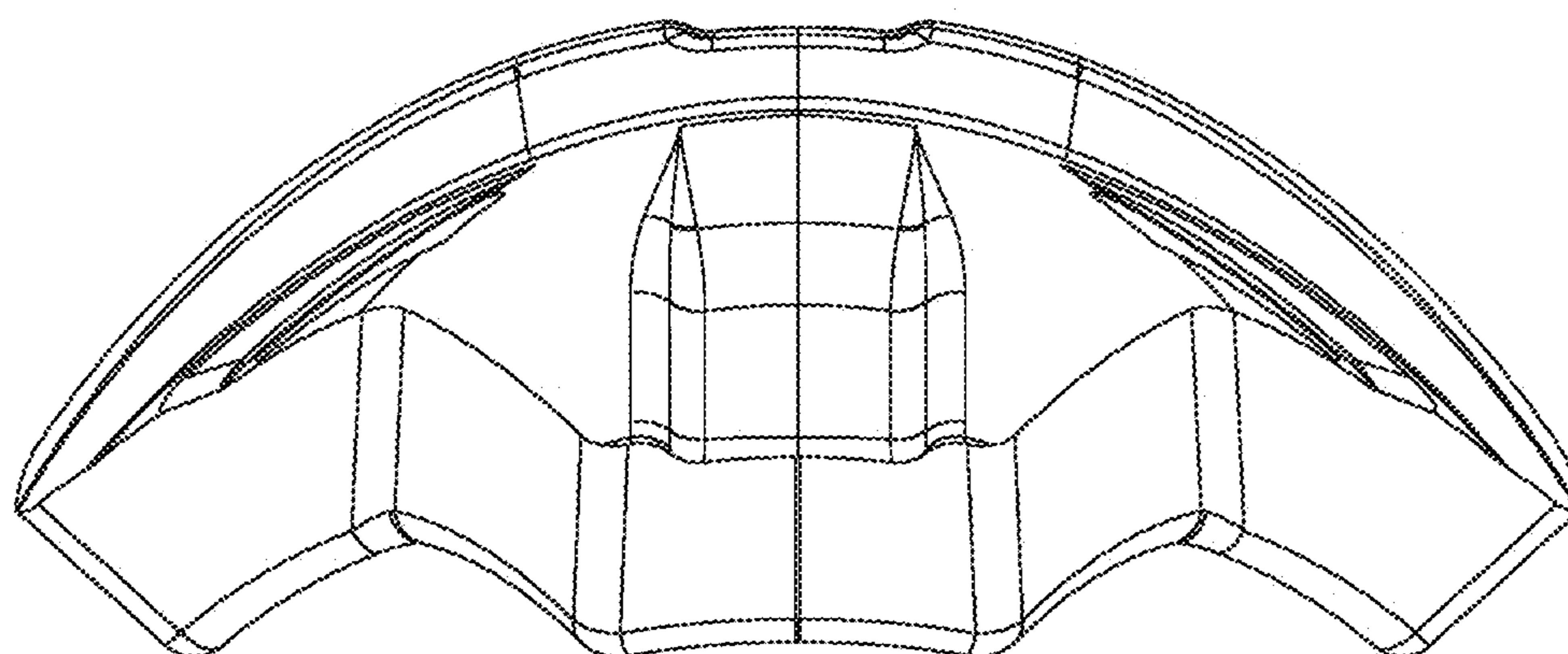


FIG. 31

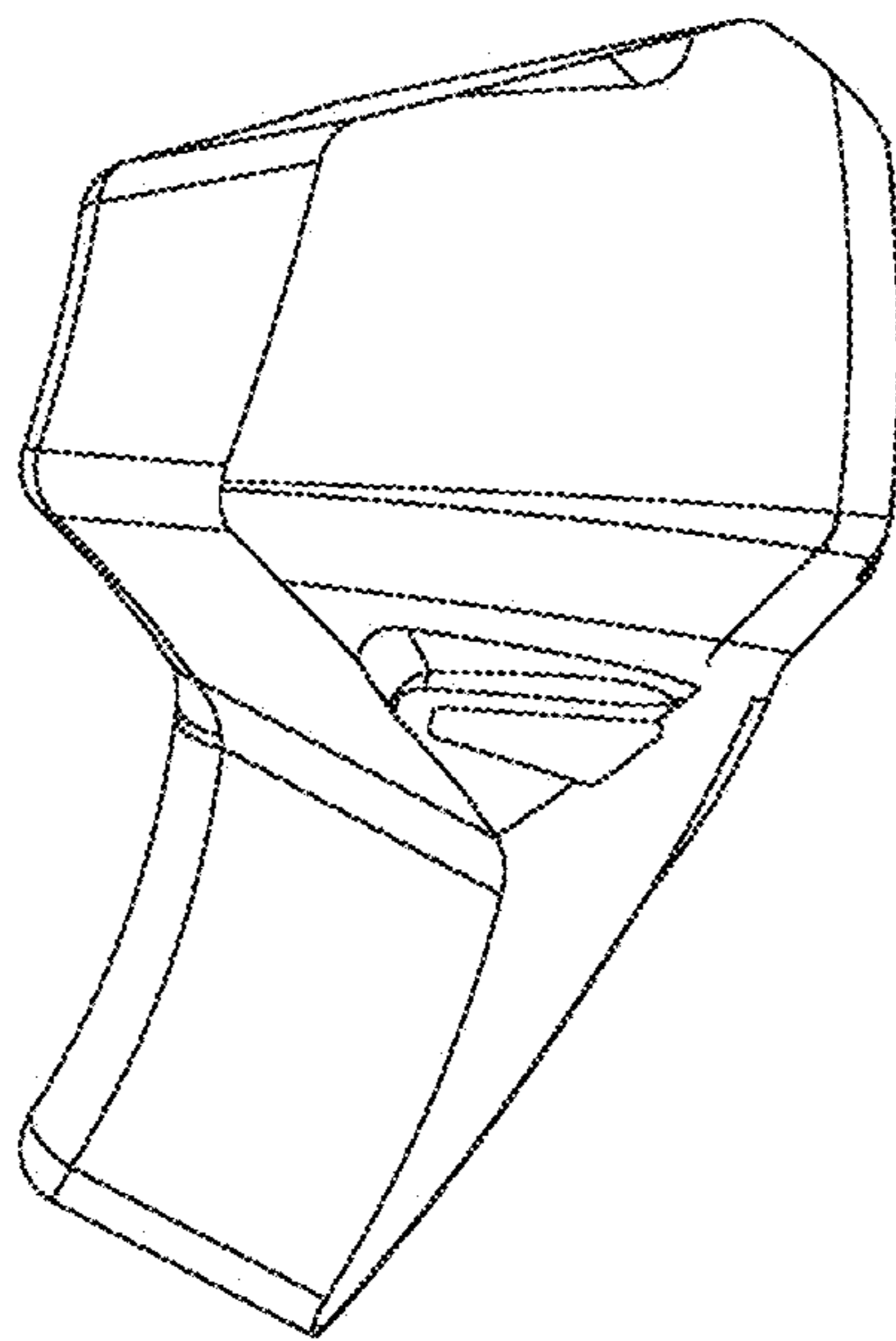


FIG. 32

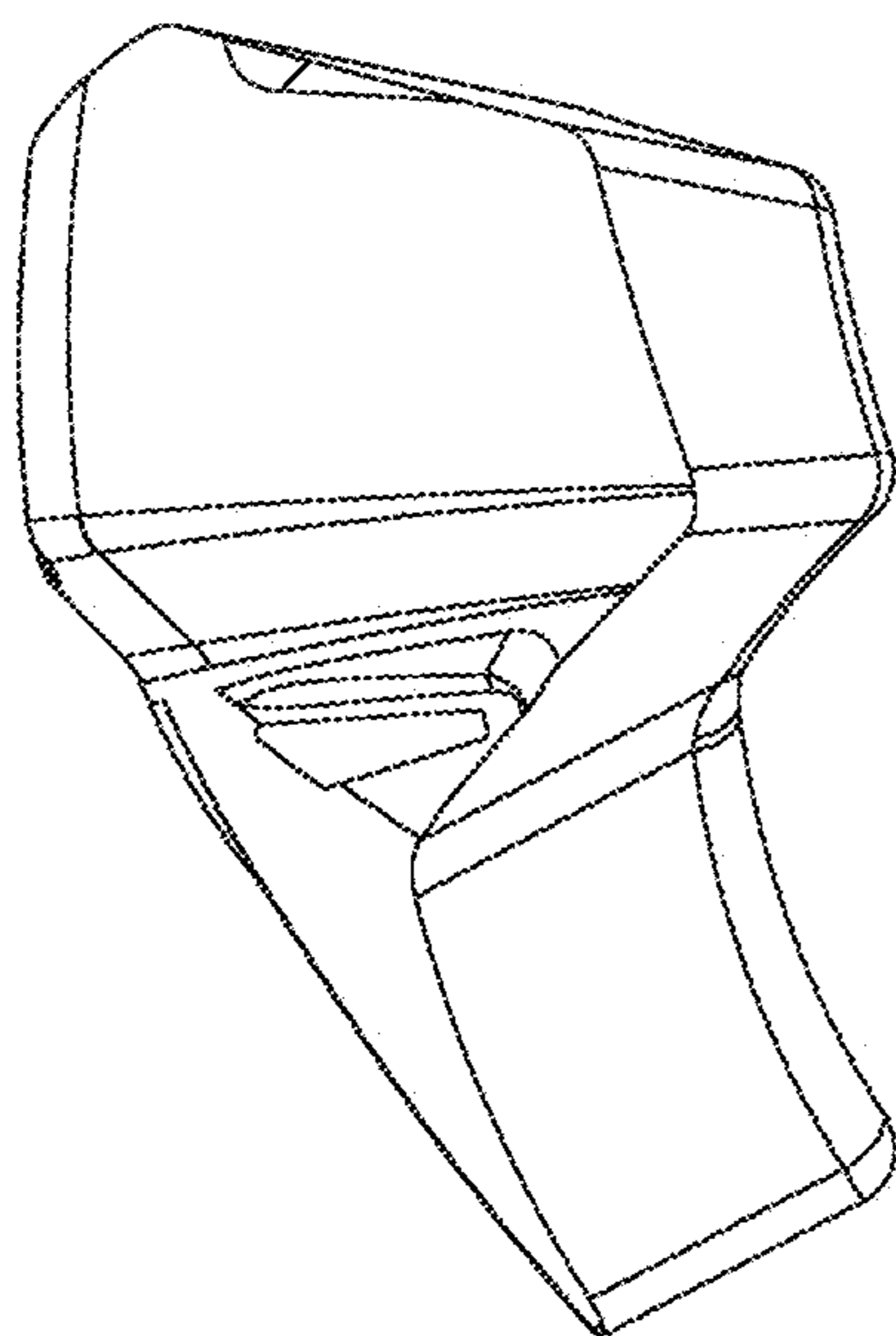


FIG. 33

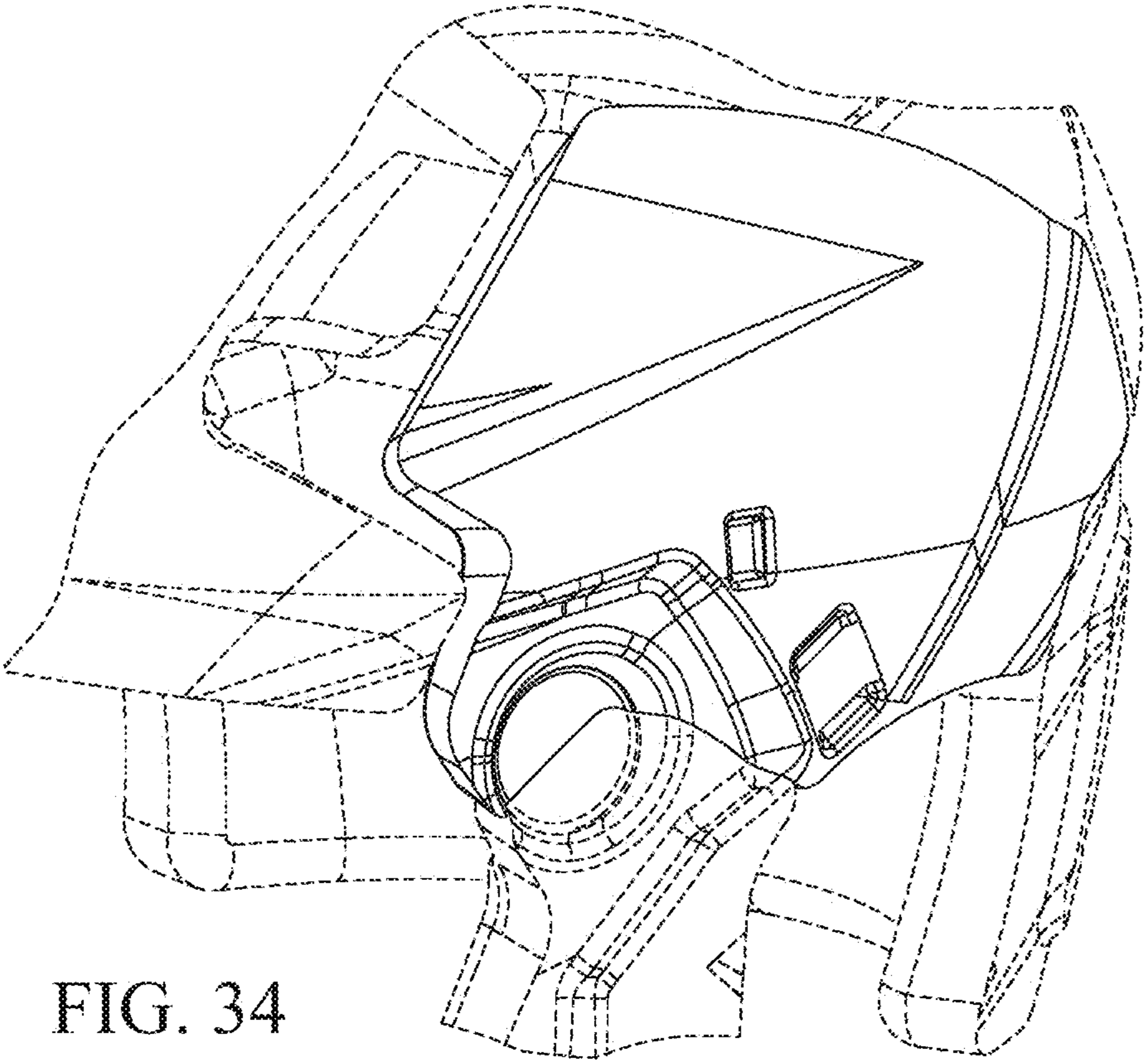


FIG. 34

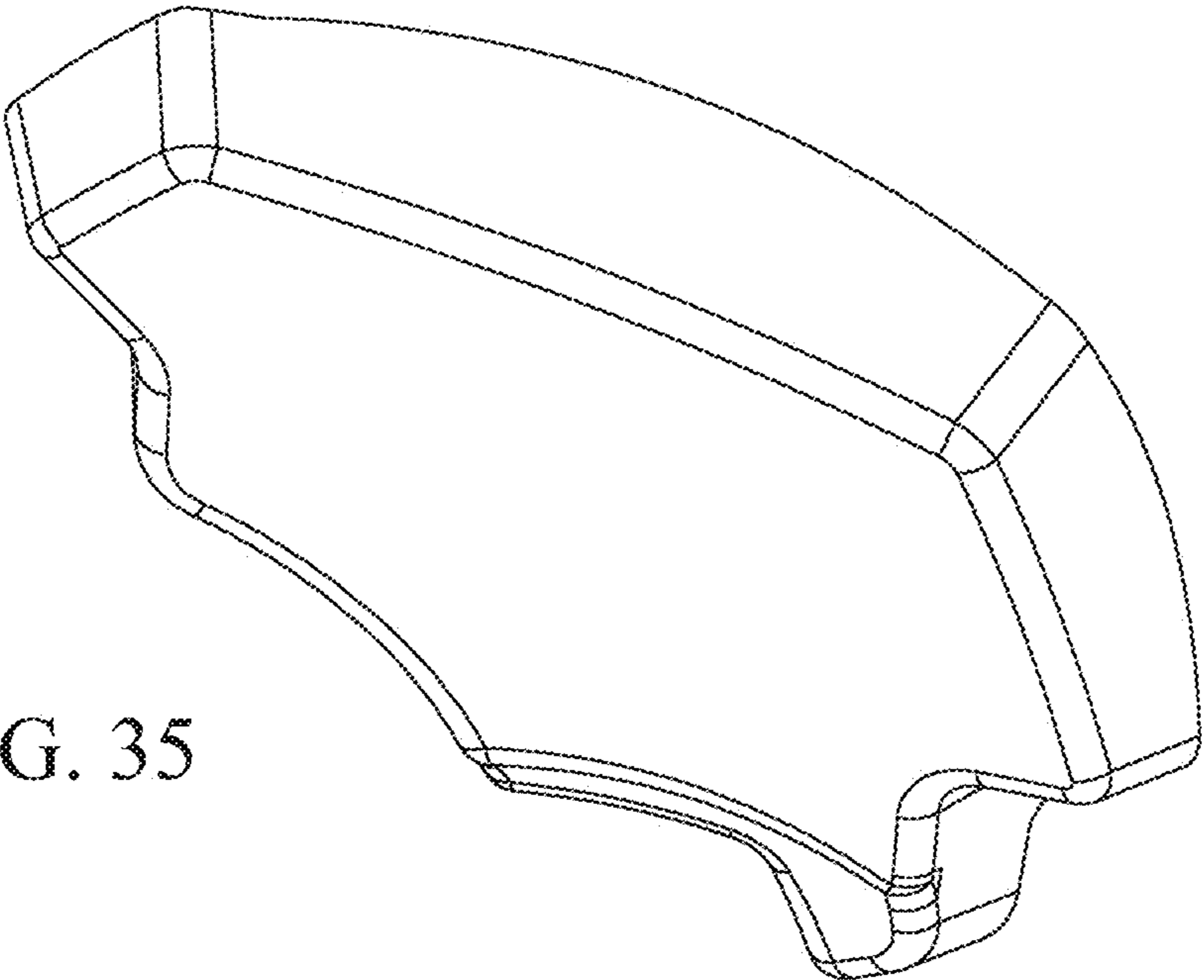


FIG. 35

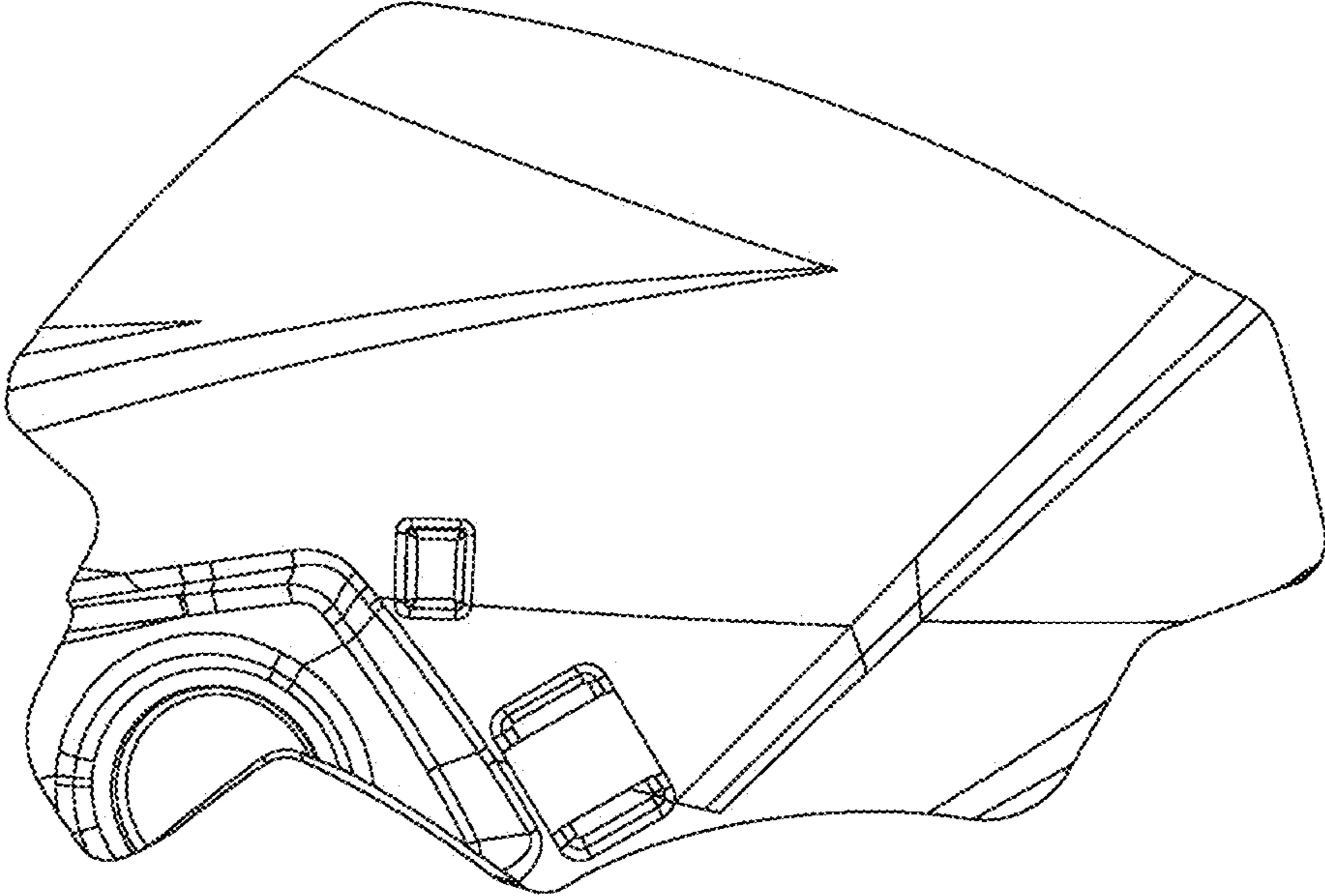


FIG. 36

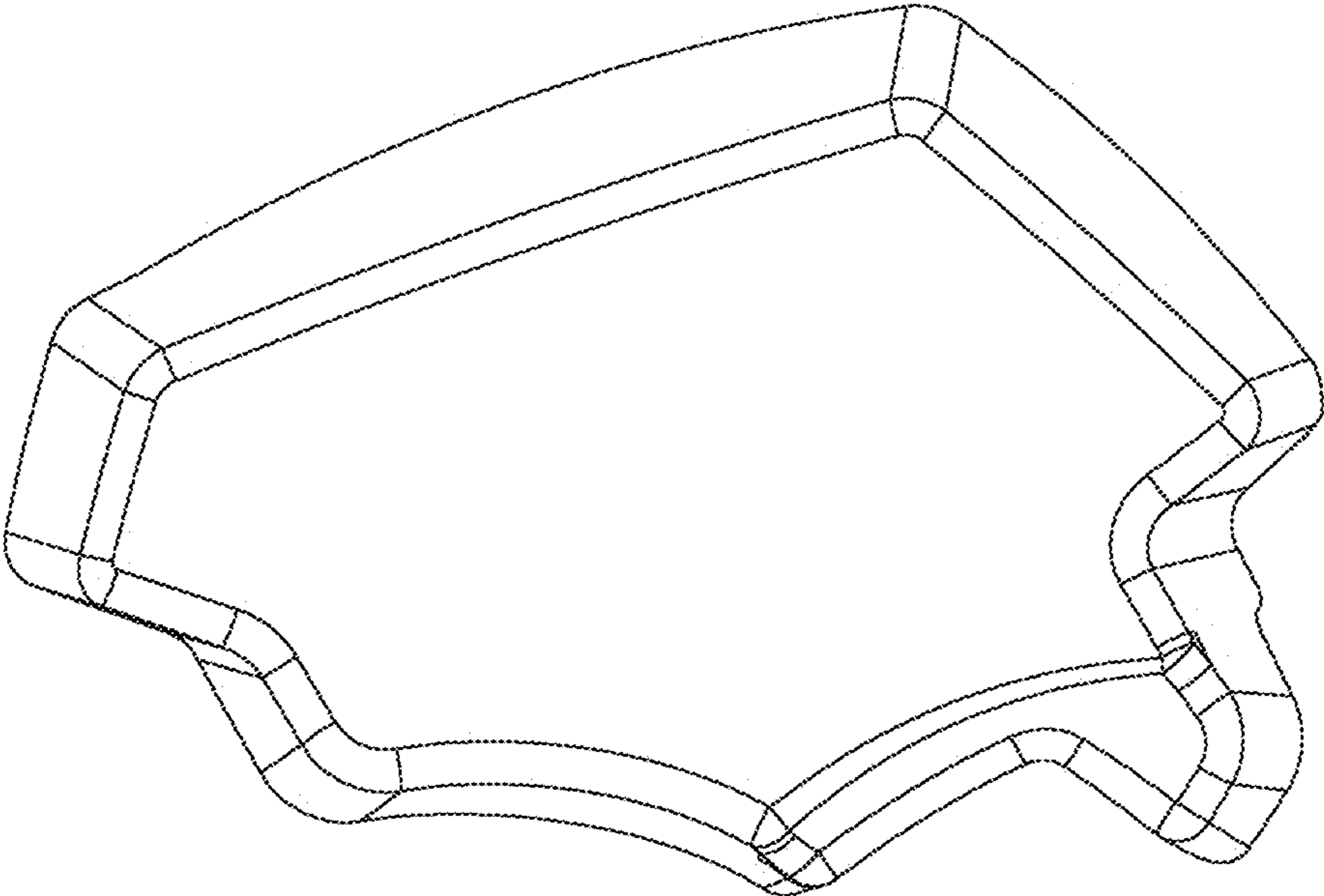


FIG. 37



FIG. 38

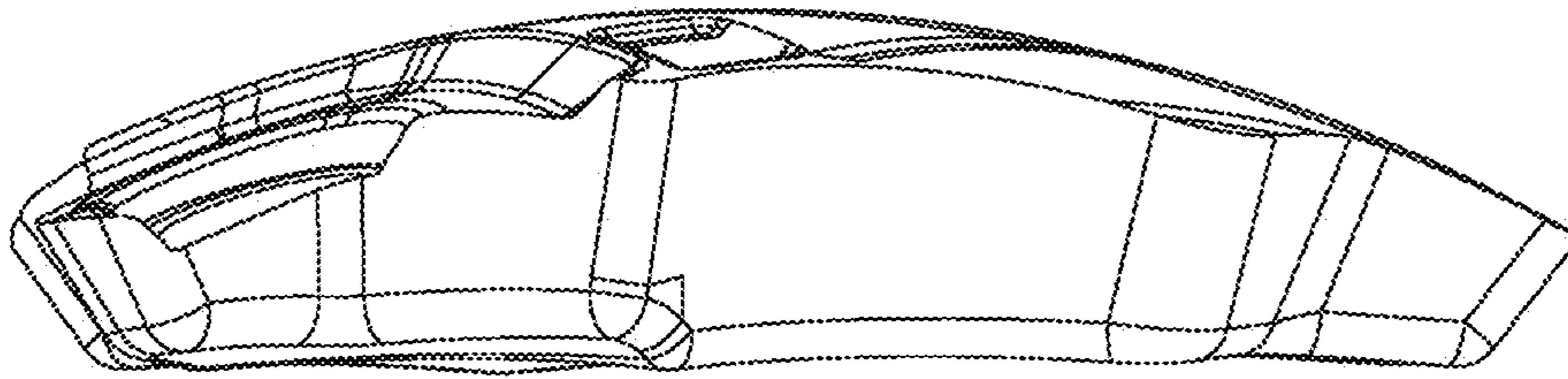


FIG. 39

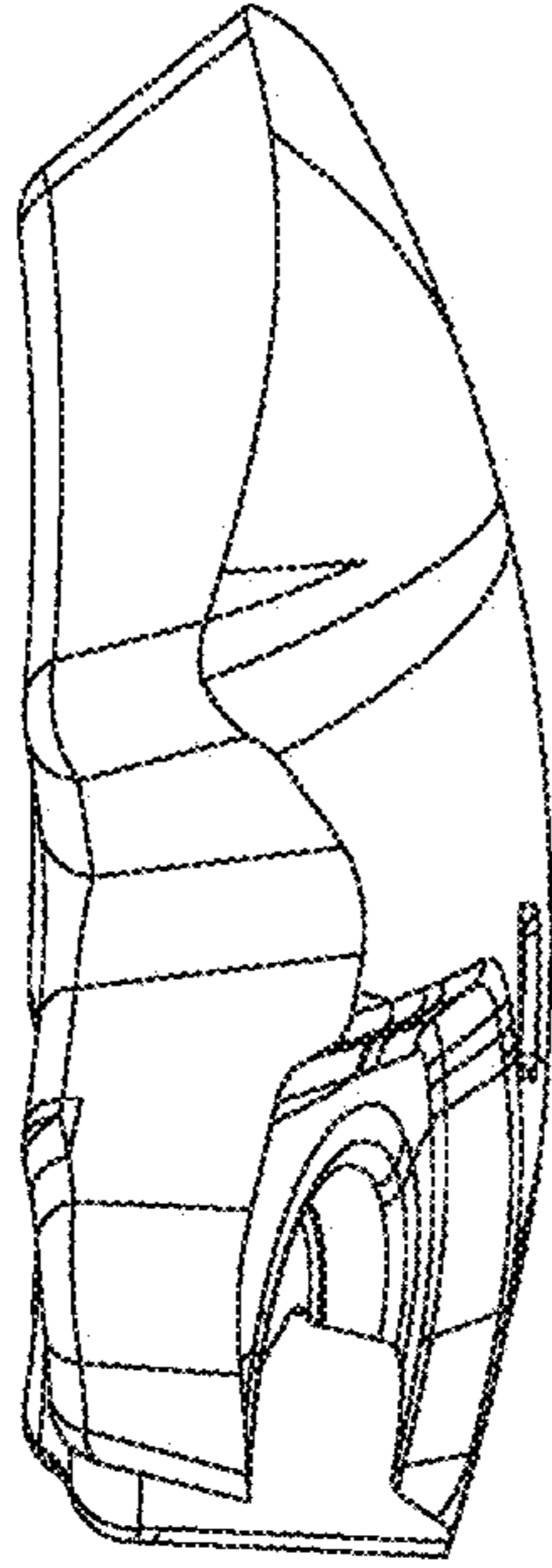


FIG. 40

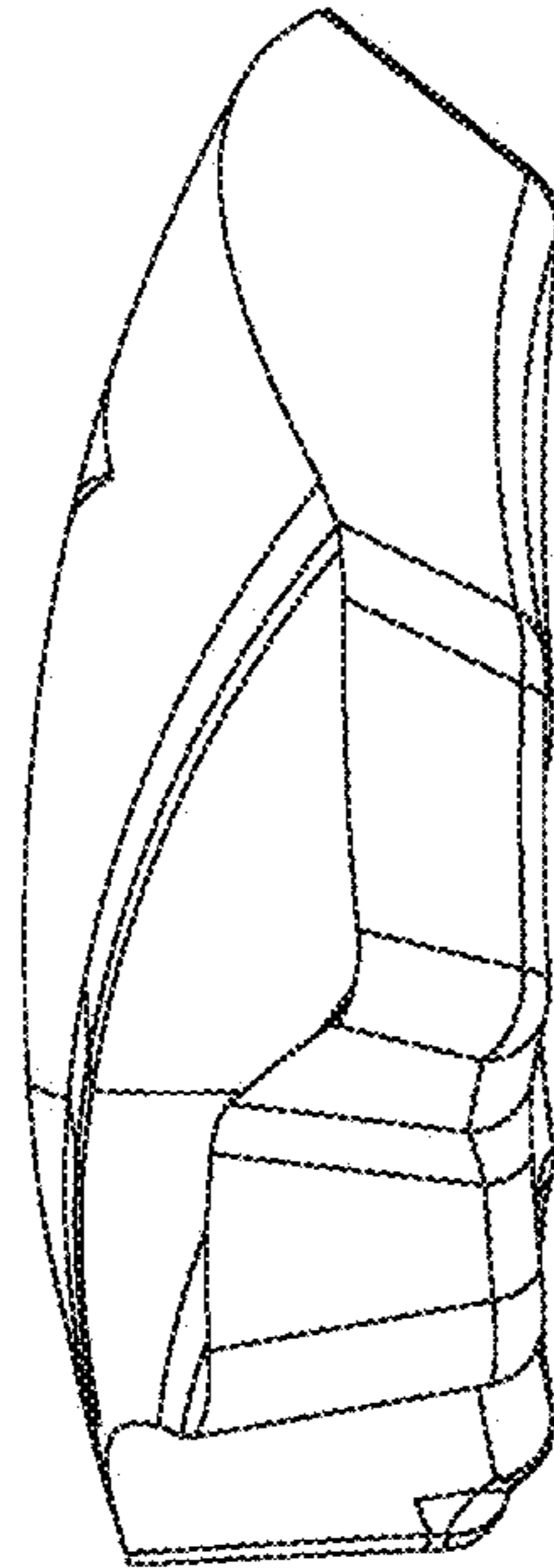


FIG. 41

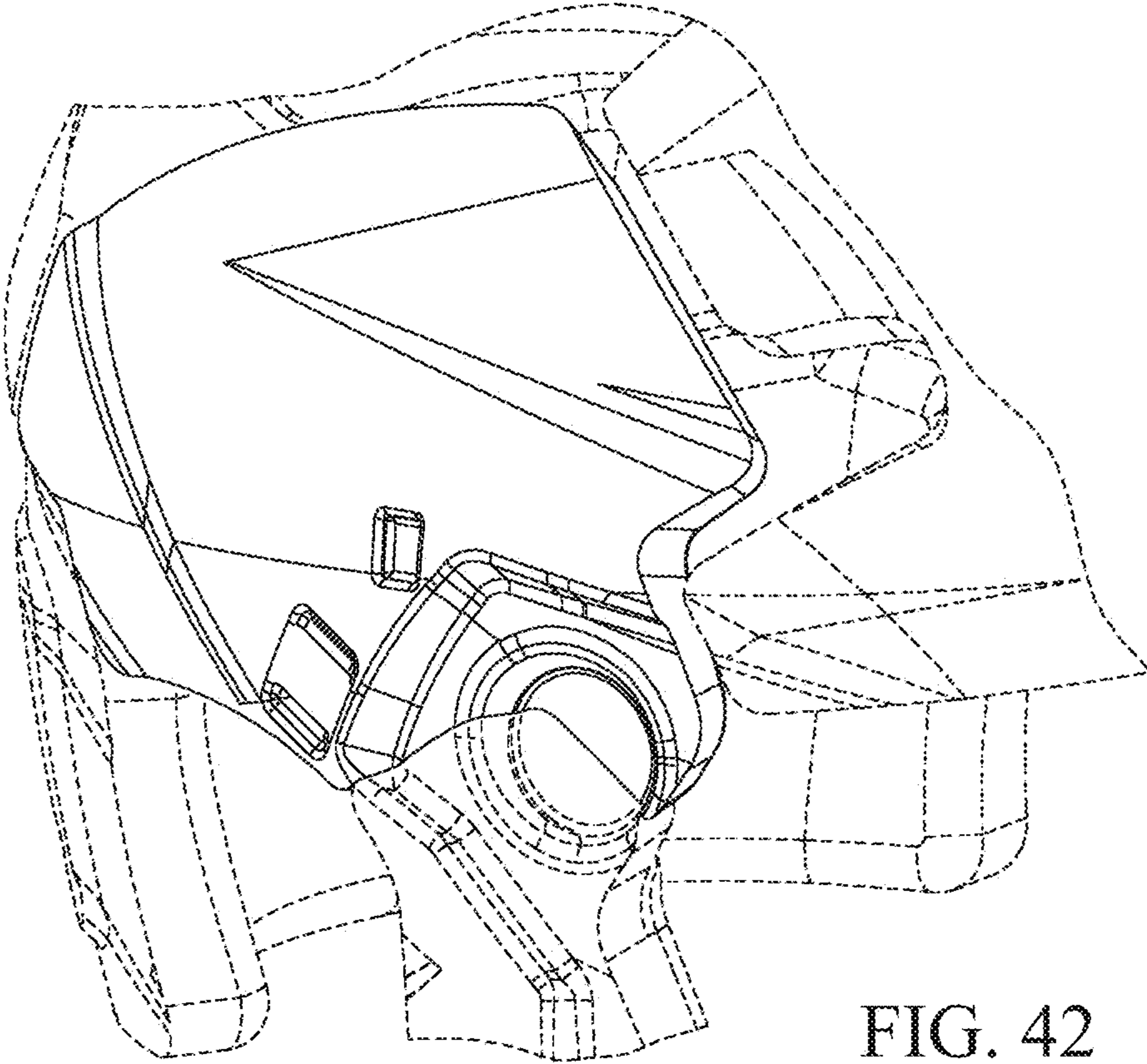


FIG. 42

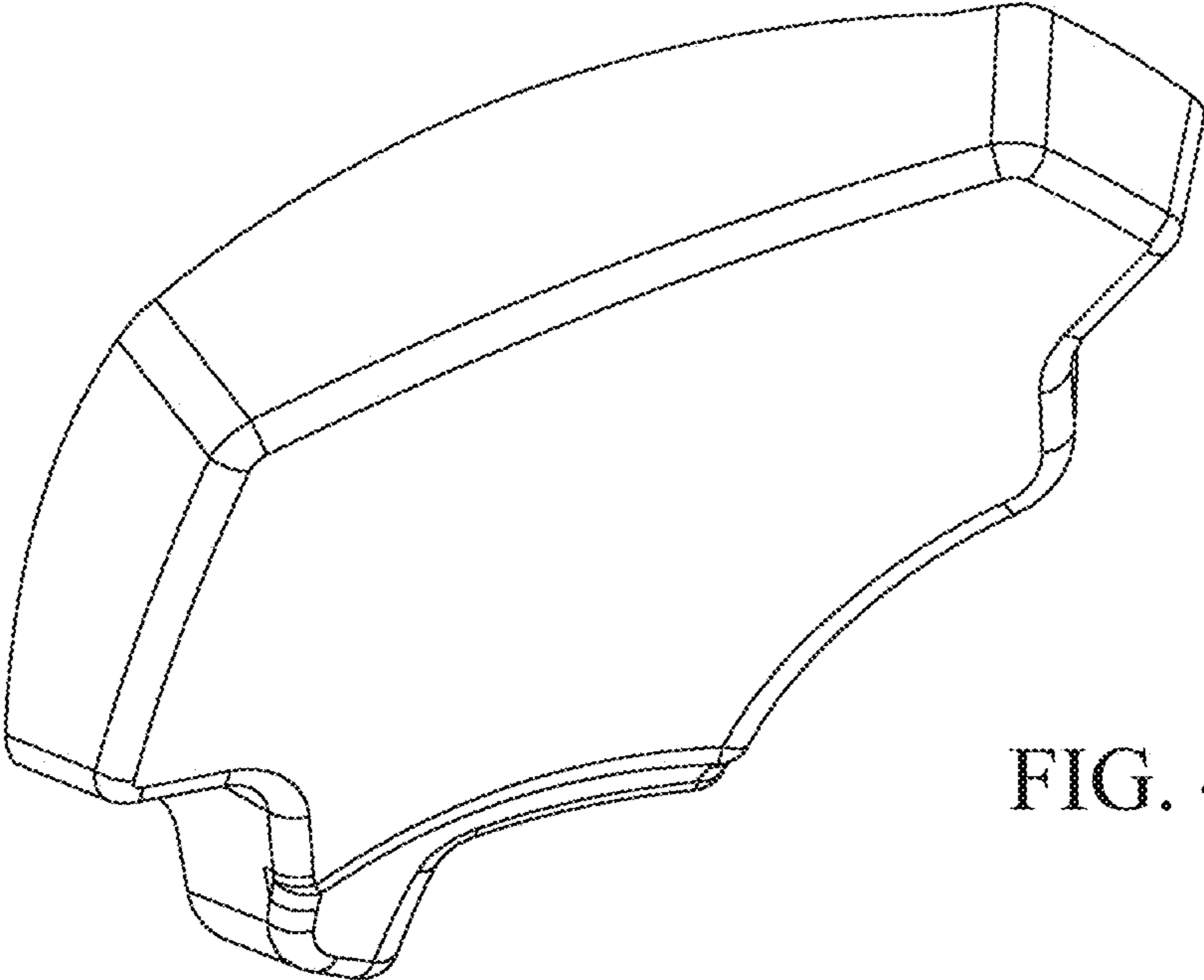


FIG. 43

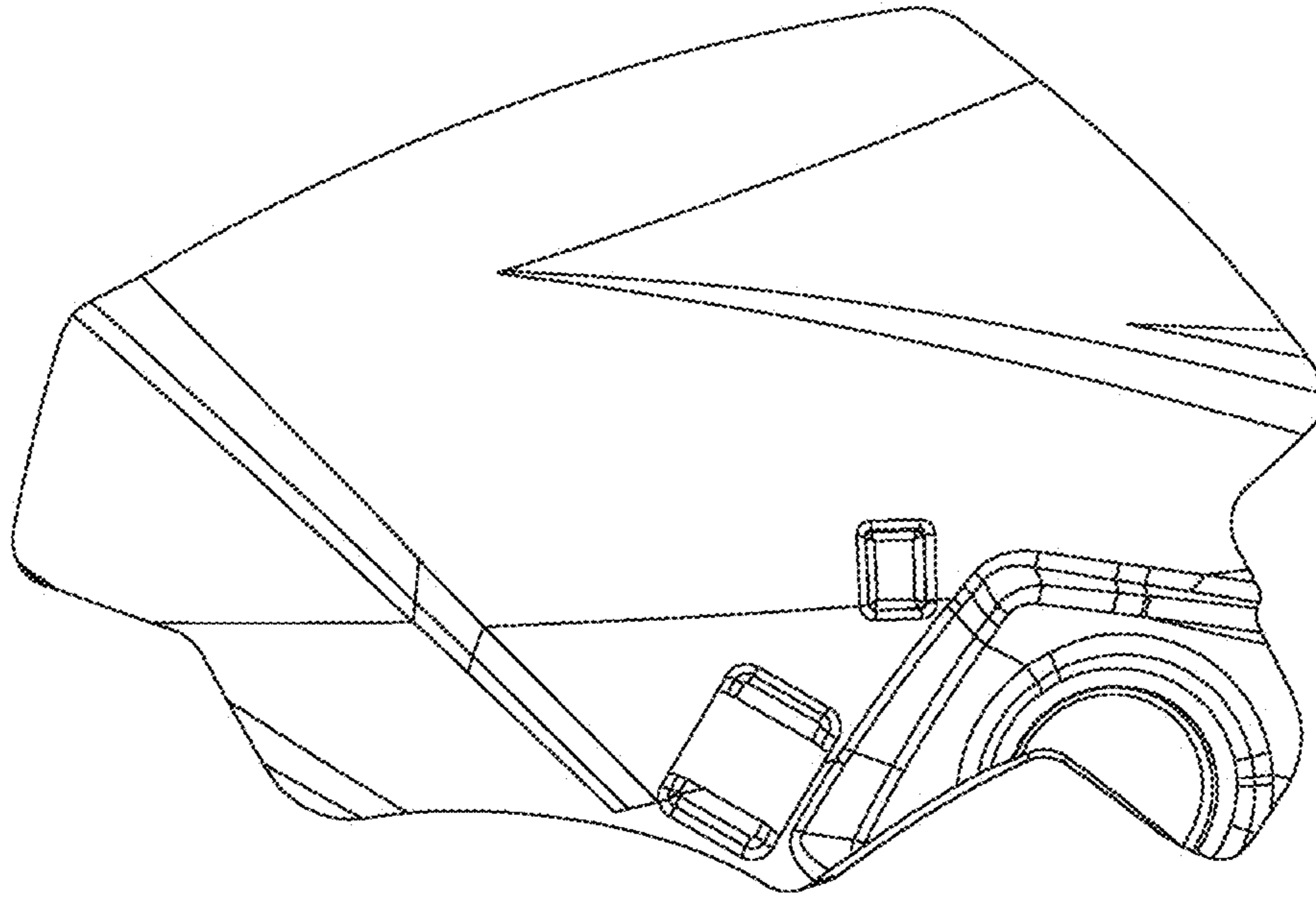


FIG. 44

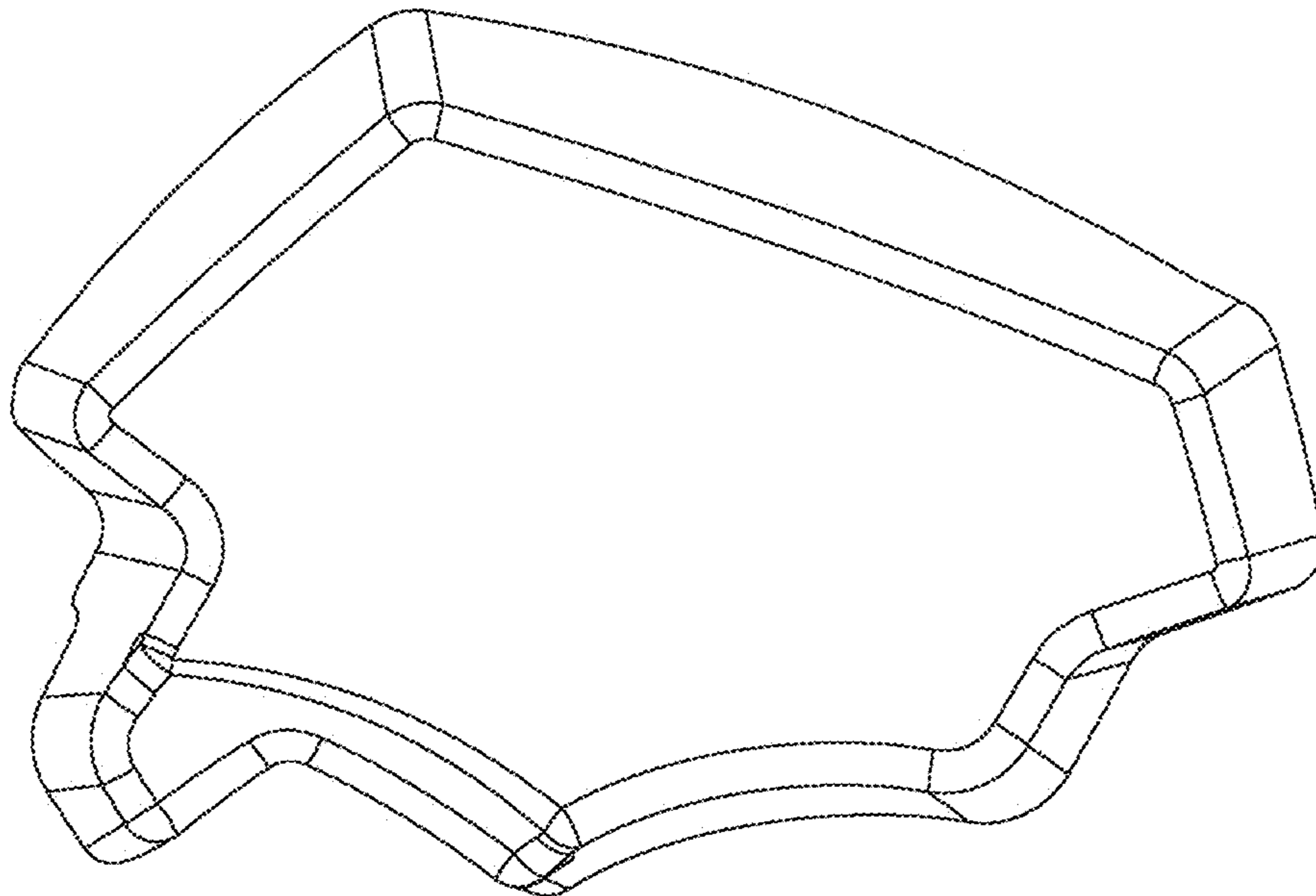


FIG. 45



FIG. 46

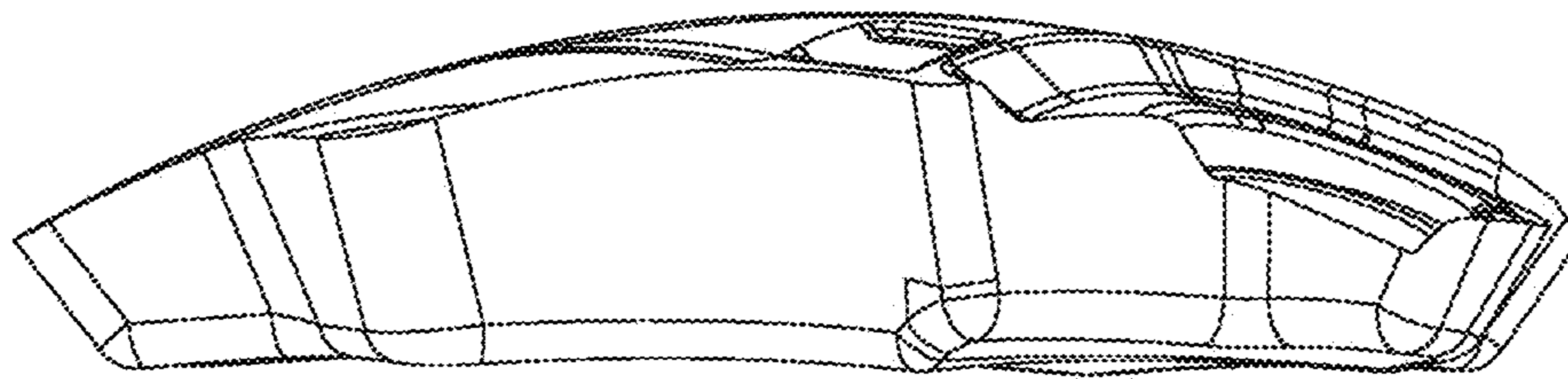


FIG. 47

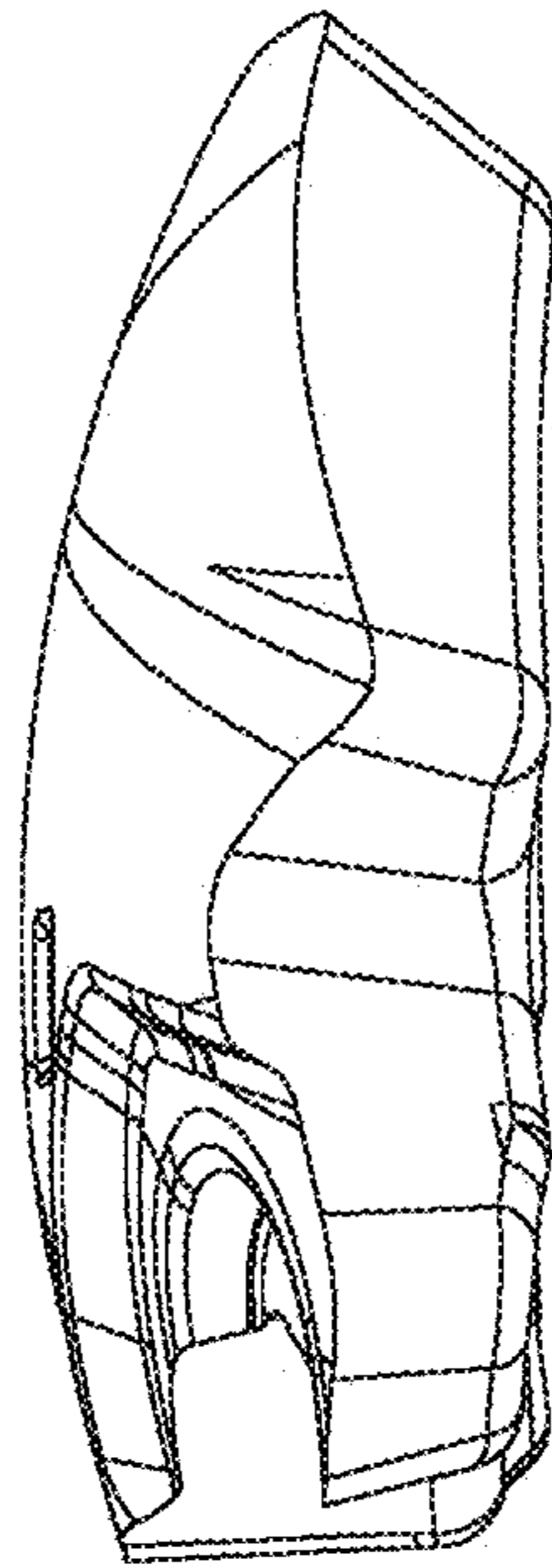


FIG. 48

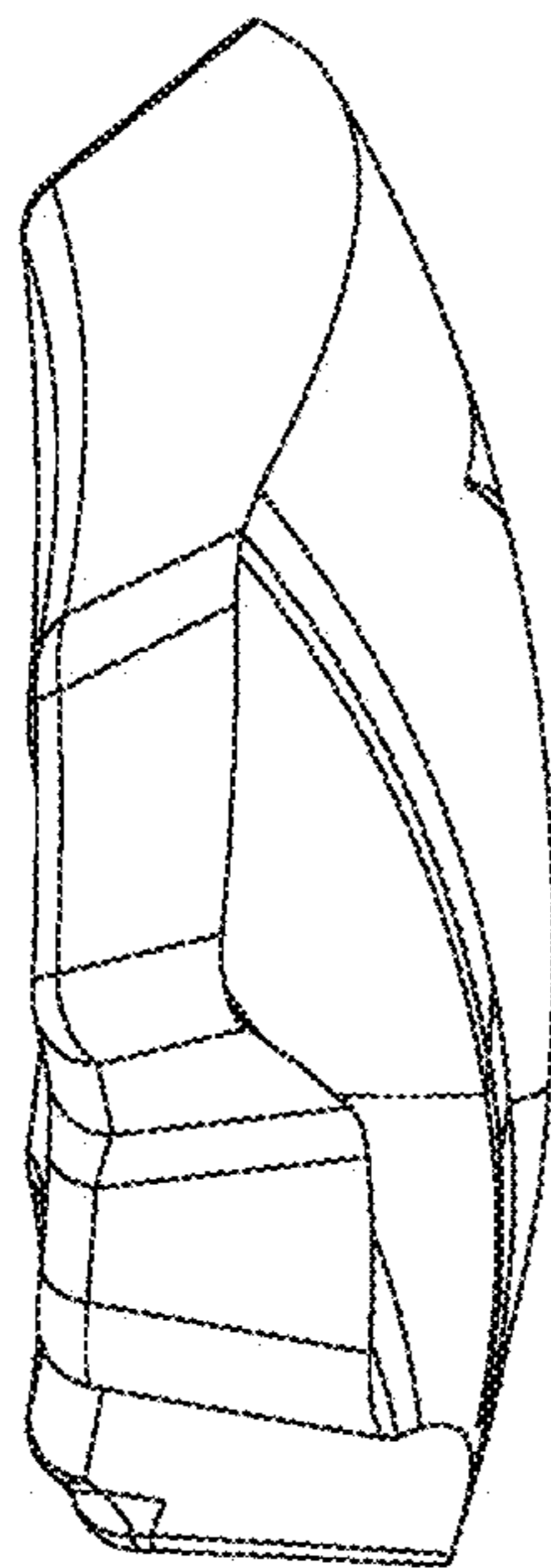


FIG. 49

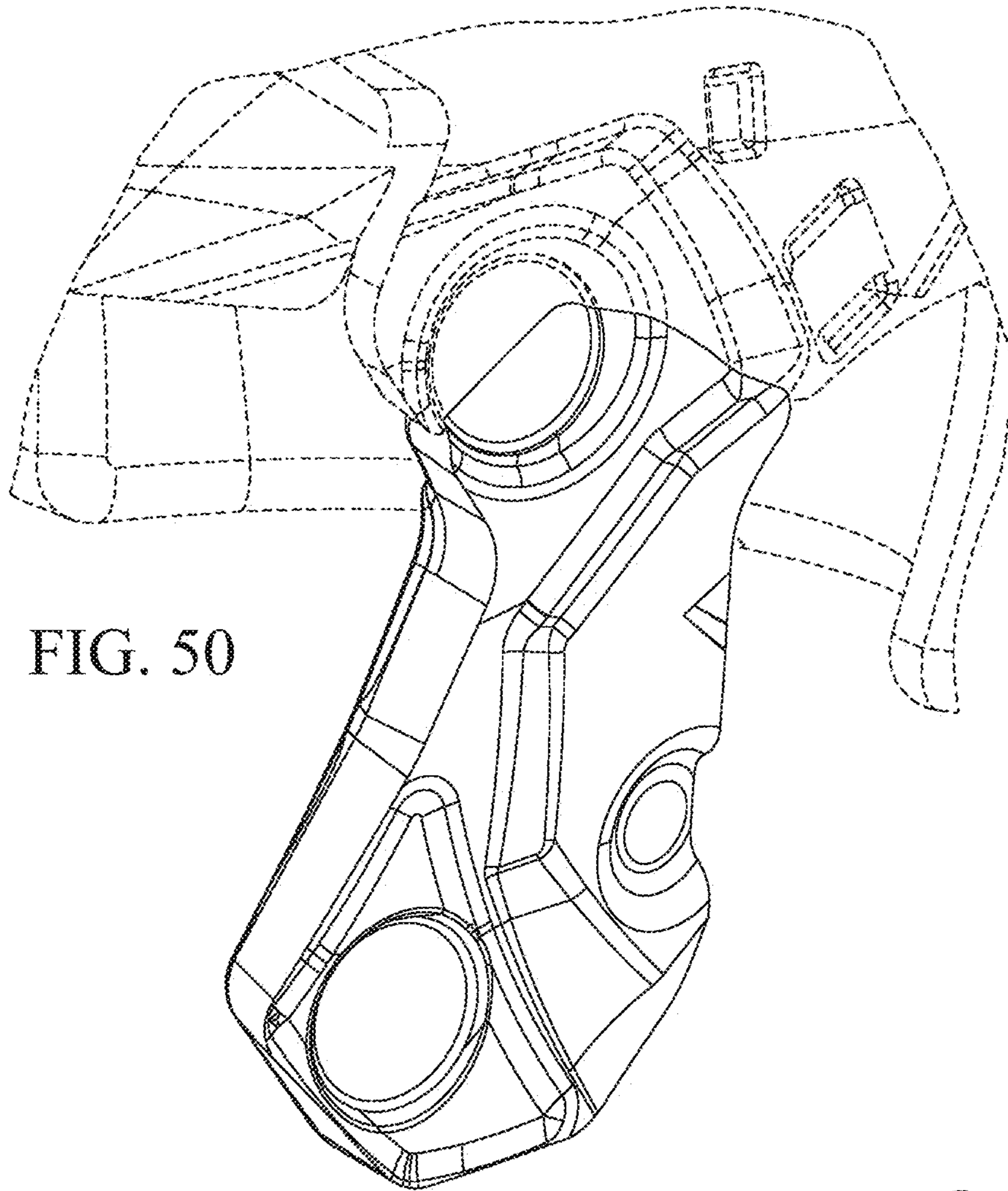


FIG. 50

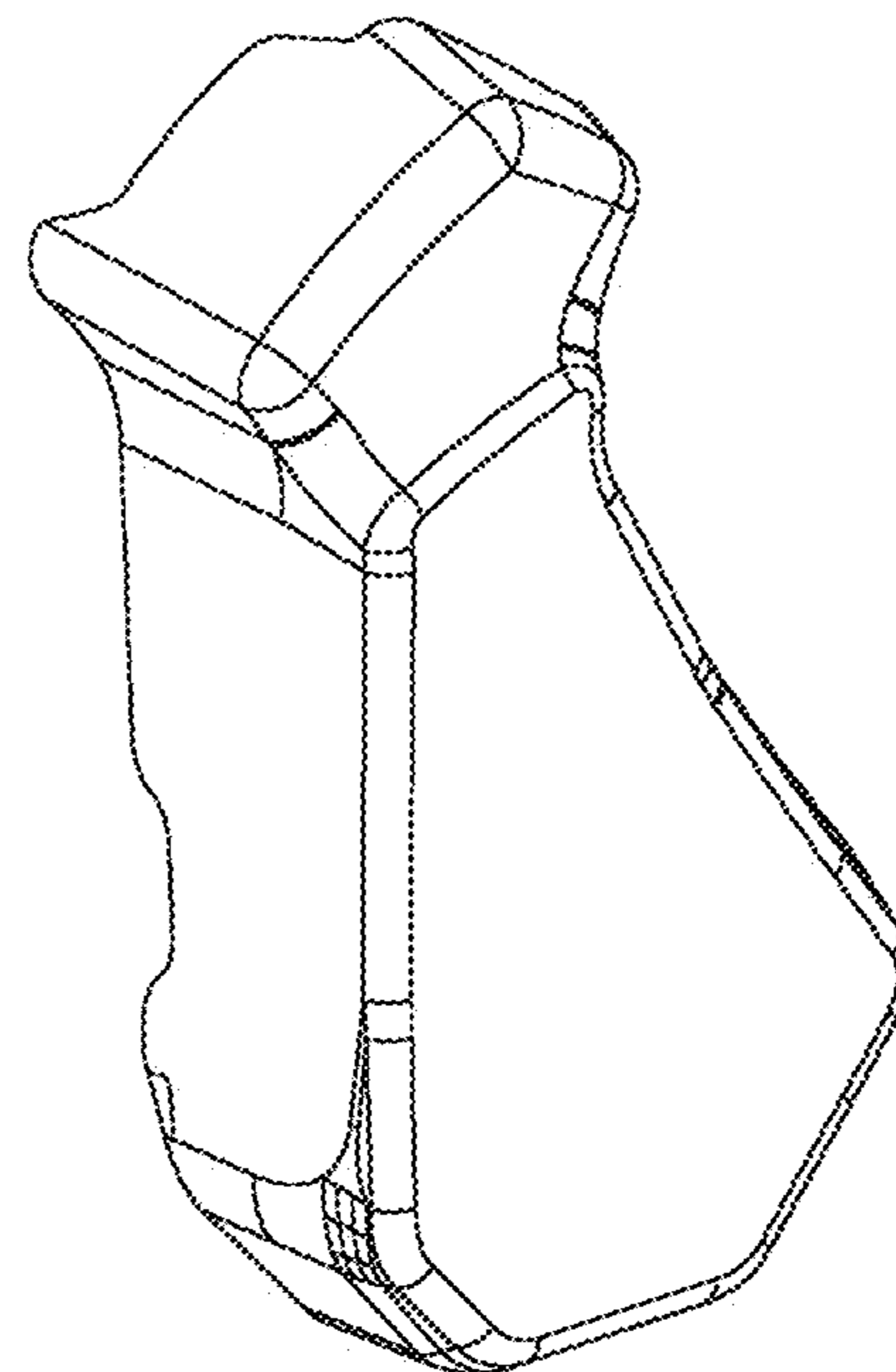


FIG. 51

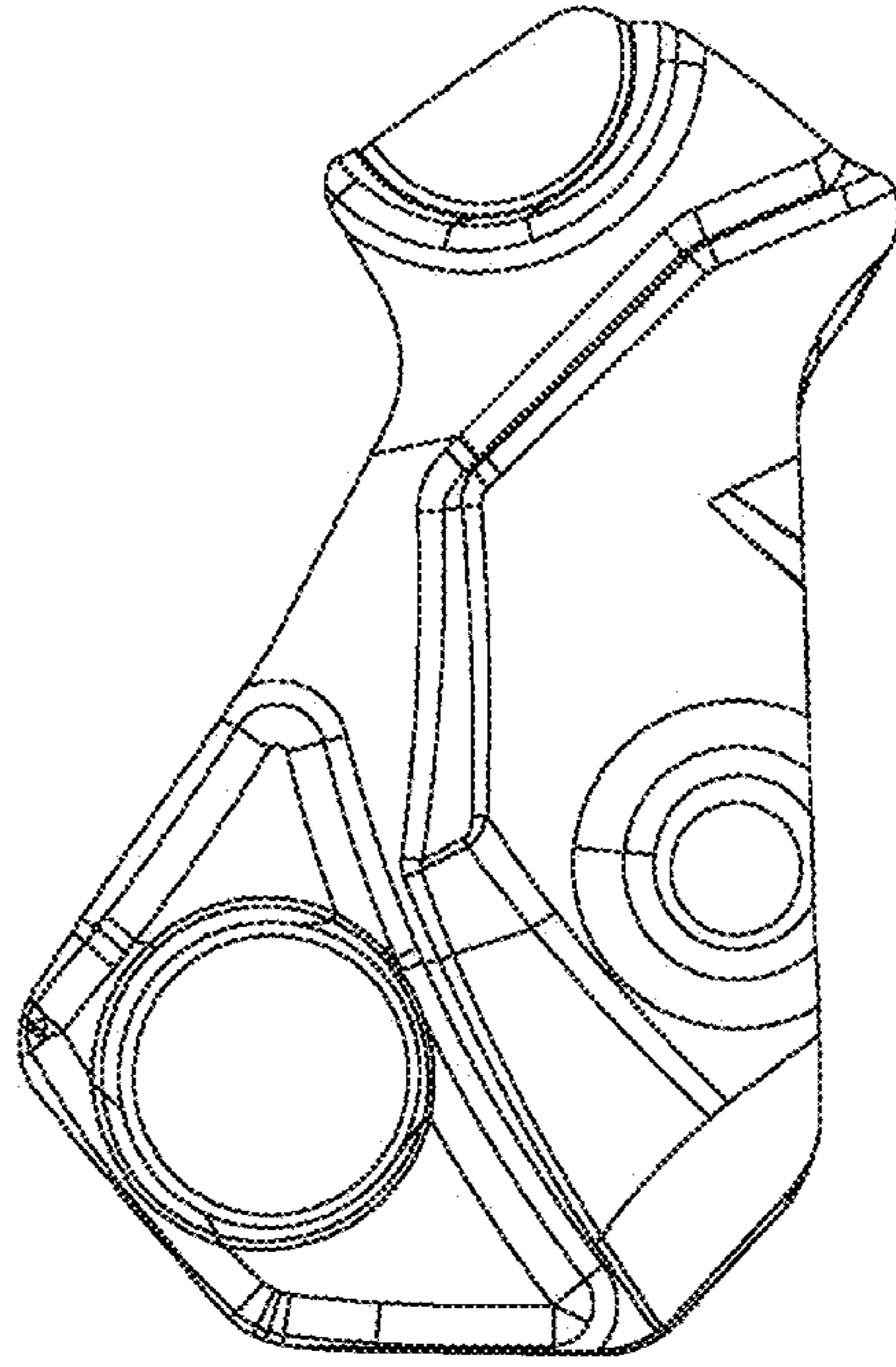


FIG. 52

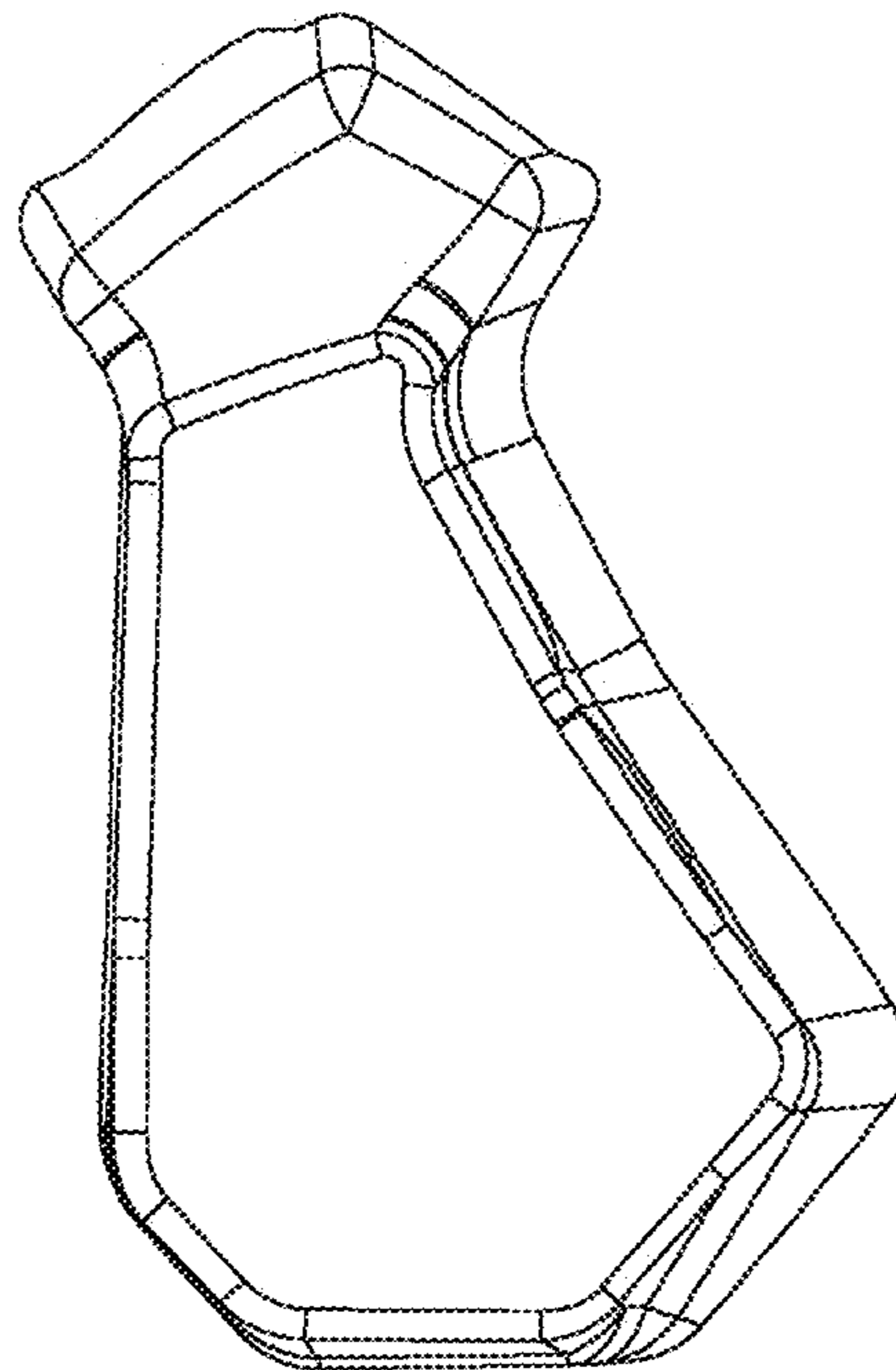


FIG. 53

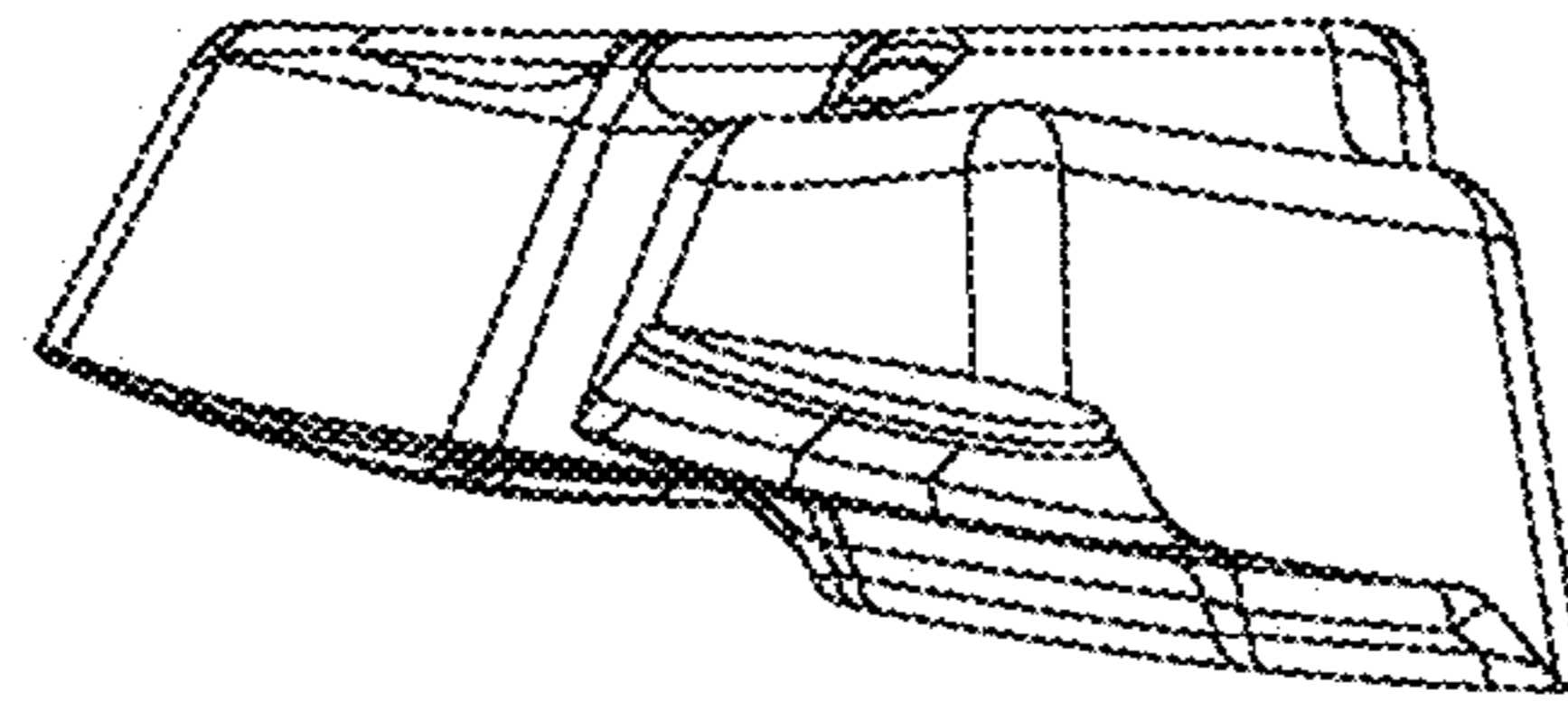


FIG. 54

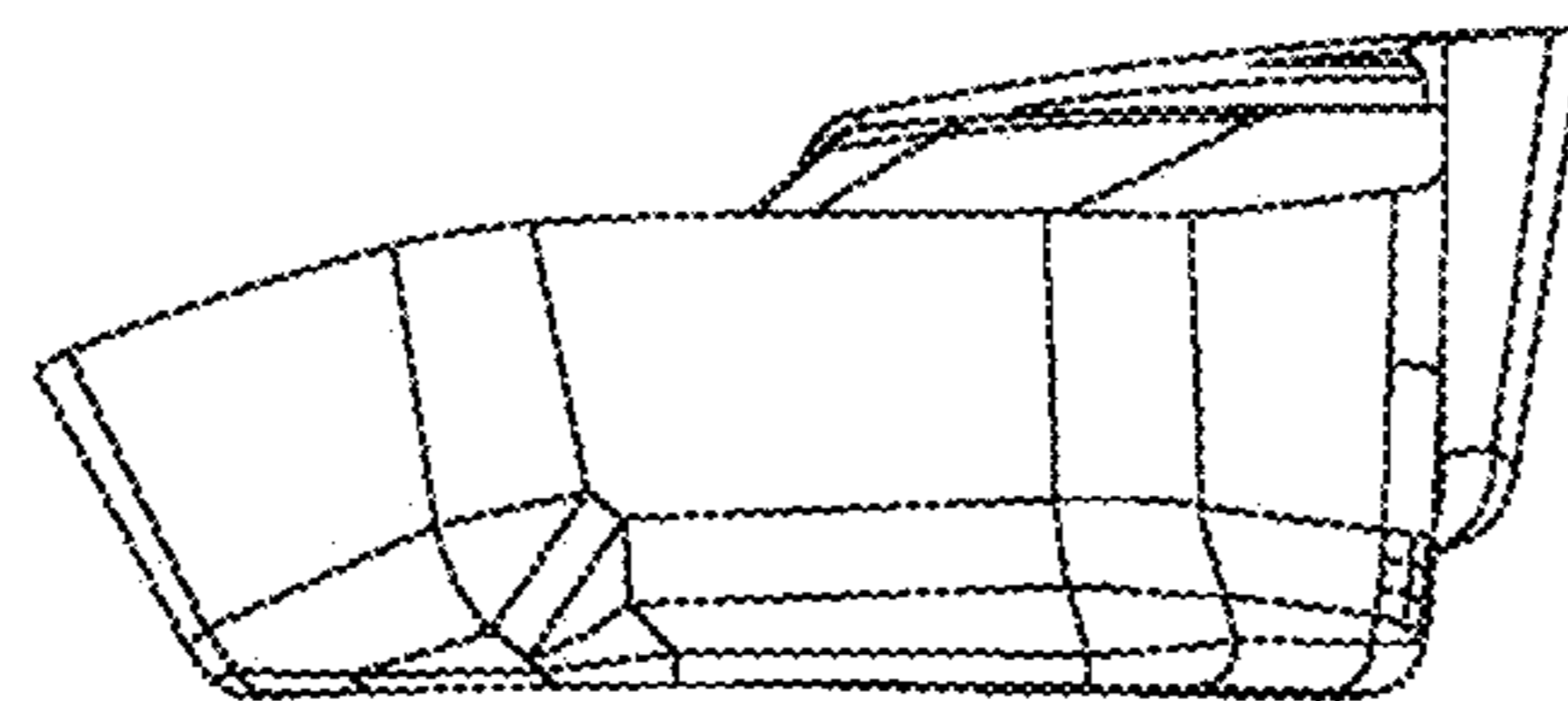


FIG. 55

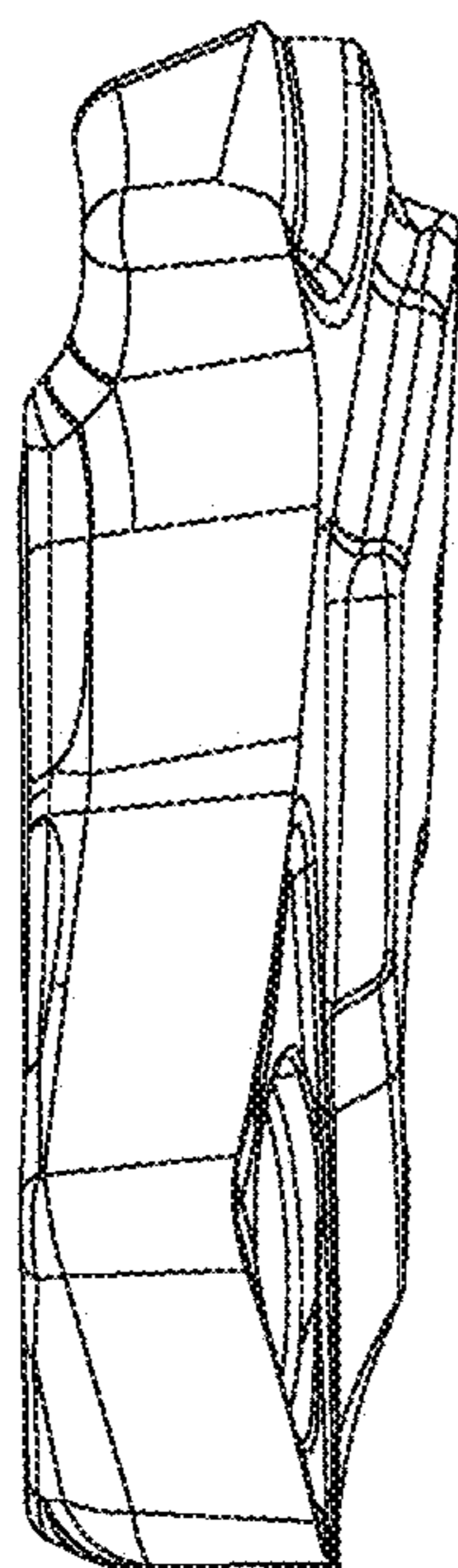


FIG. 56

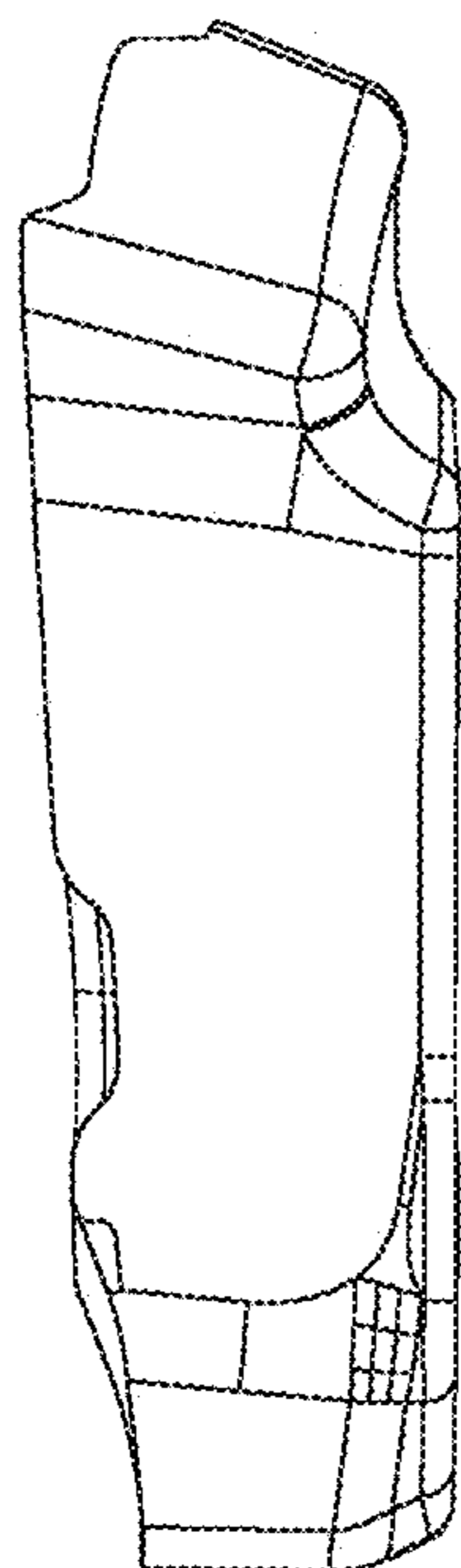


FIG. 57

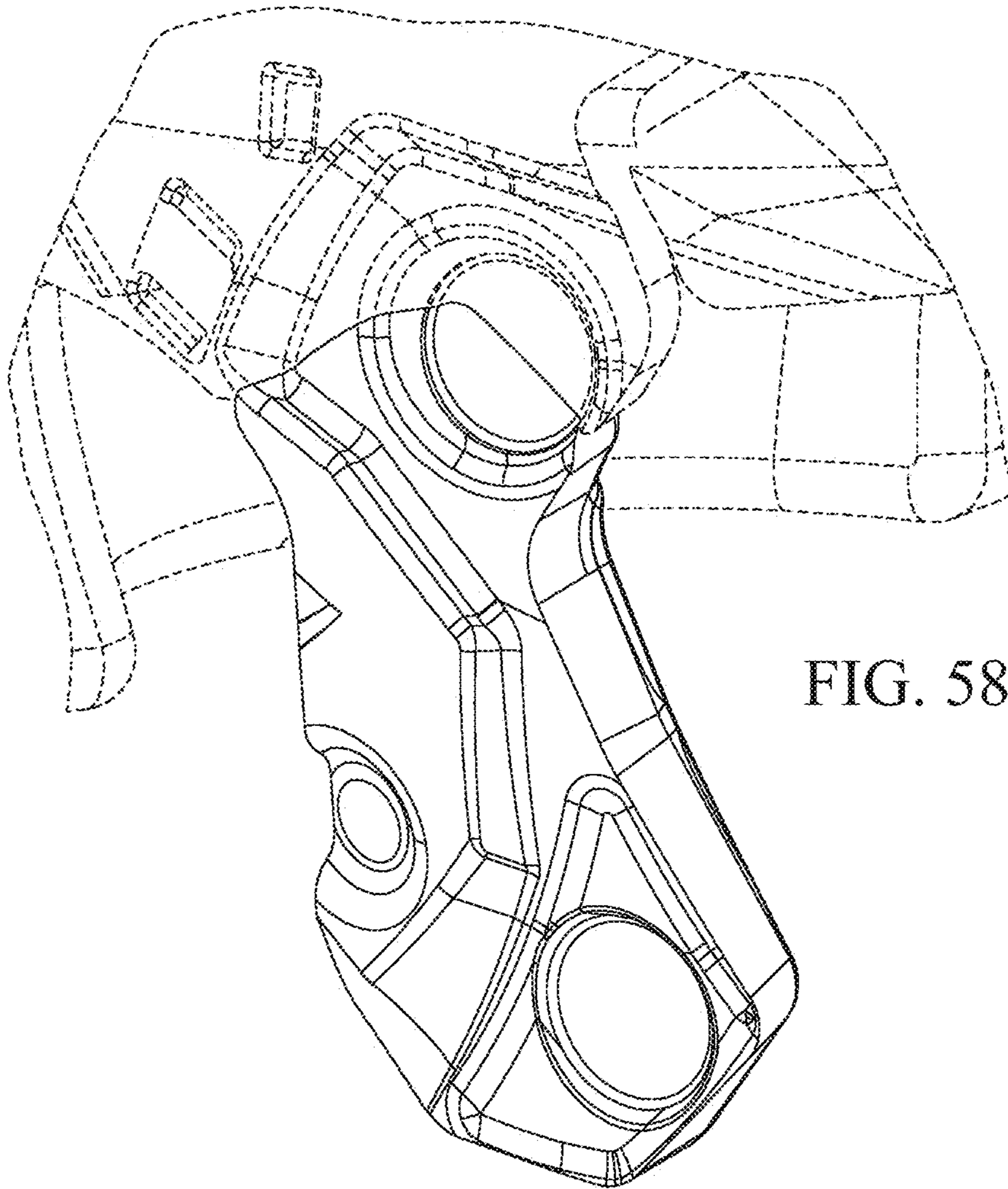


FIG. 58

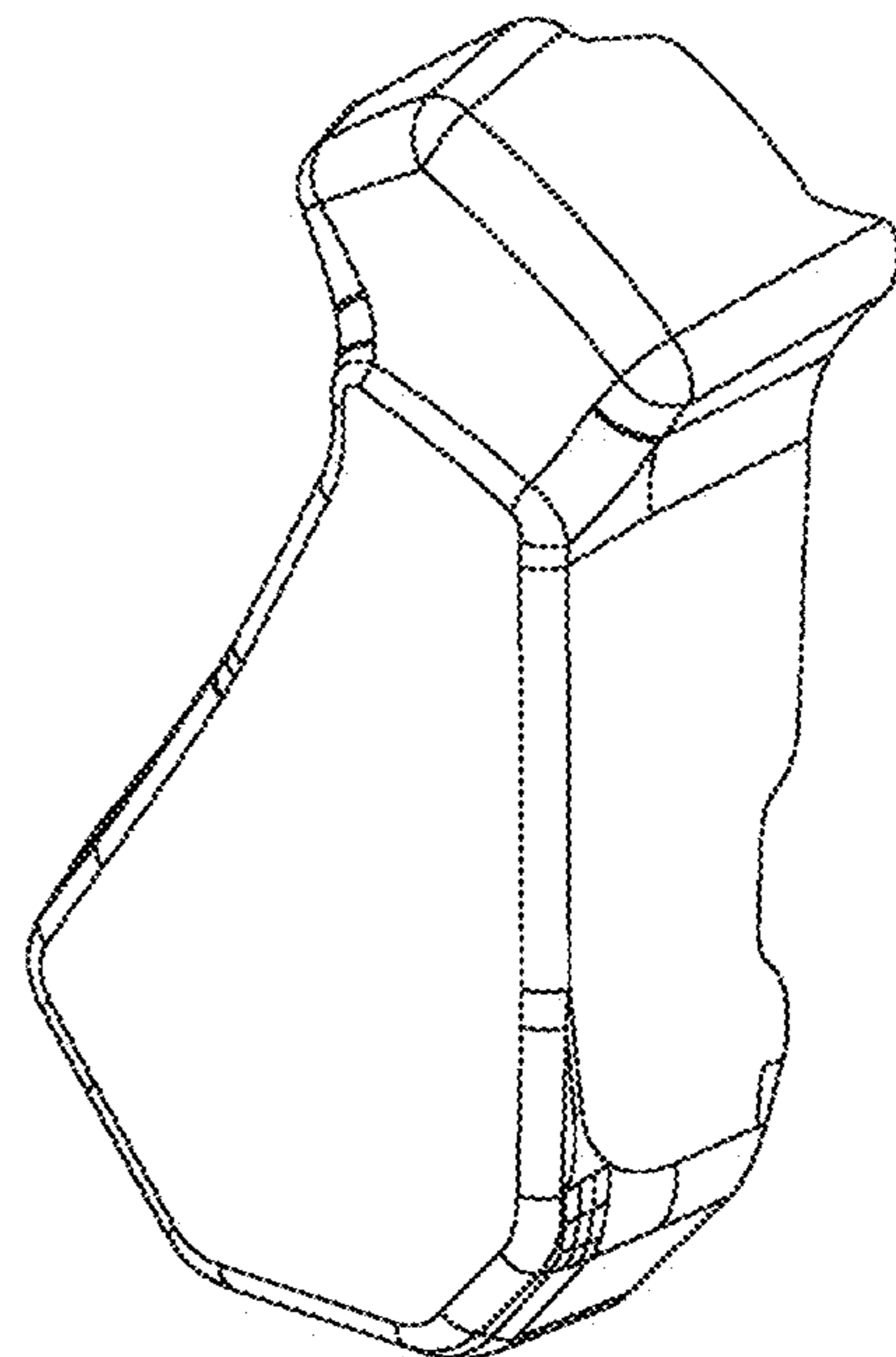


FIG. 59

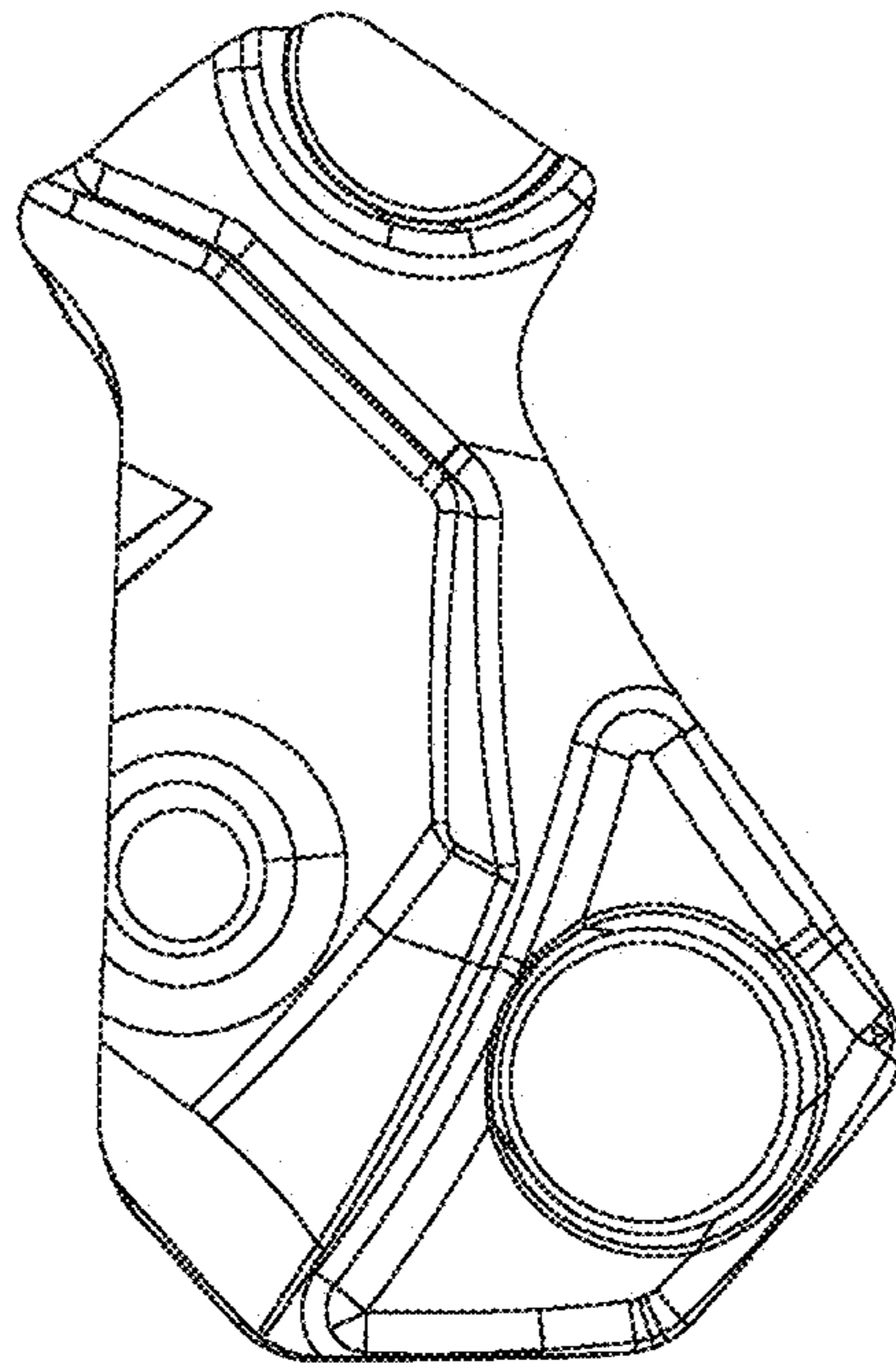


FIG. 60

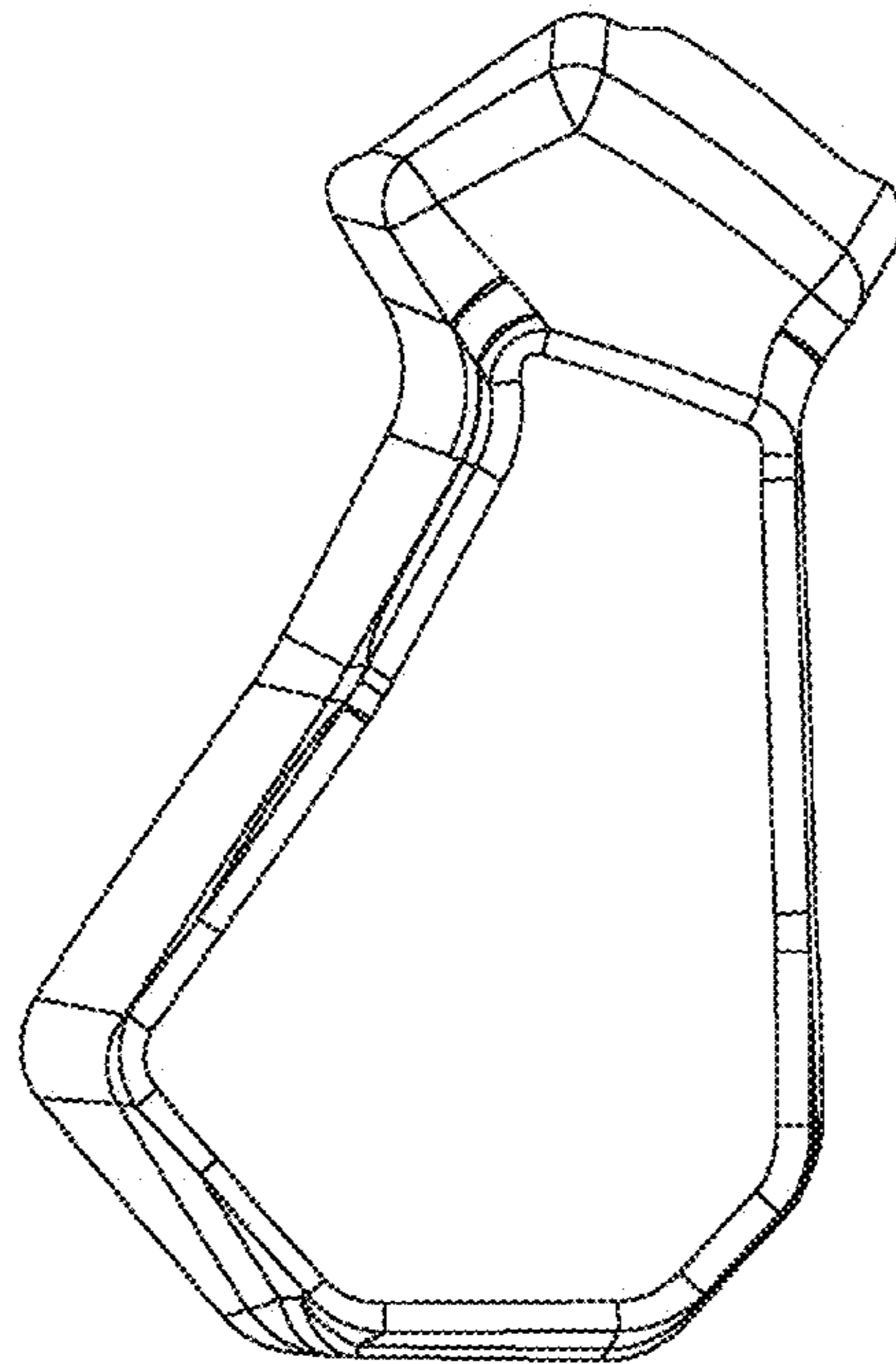


FIG. 61

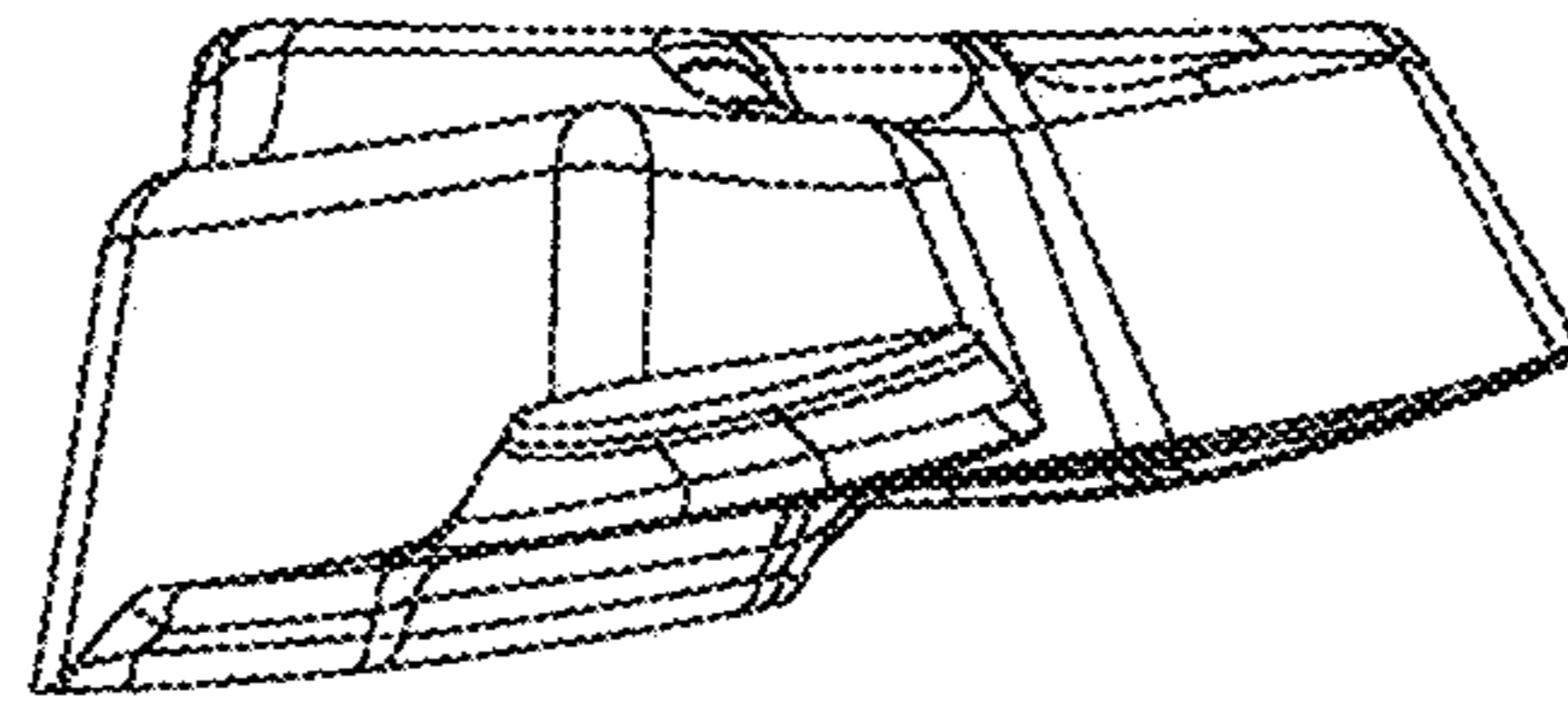


FIG. 62

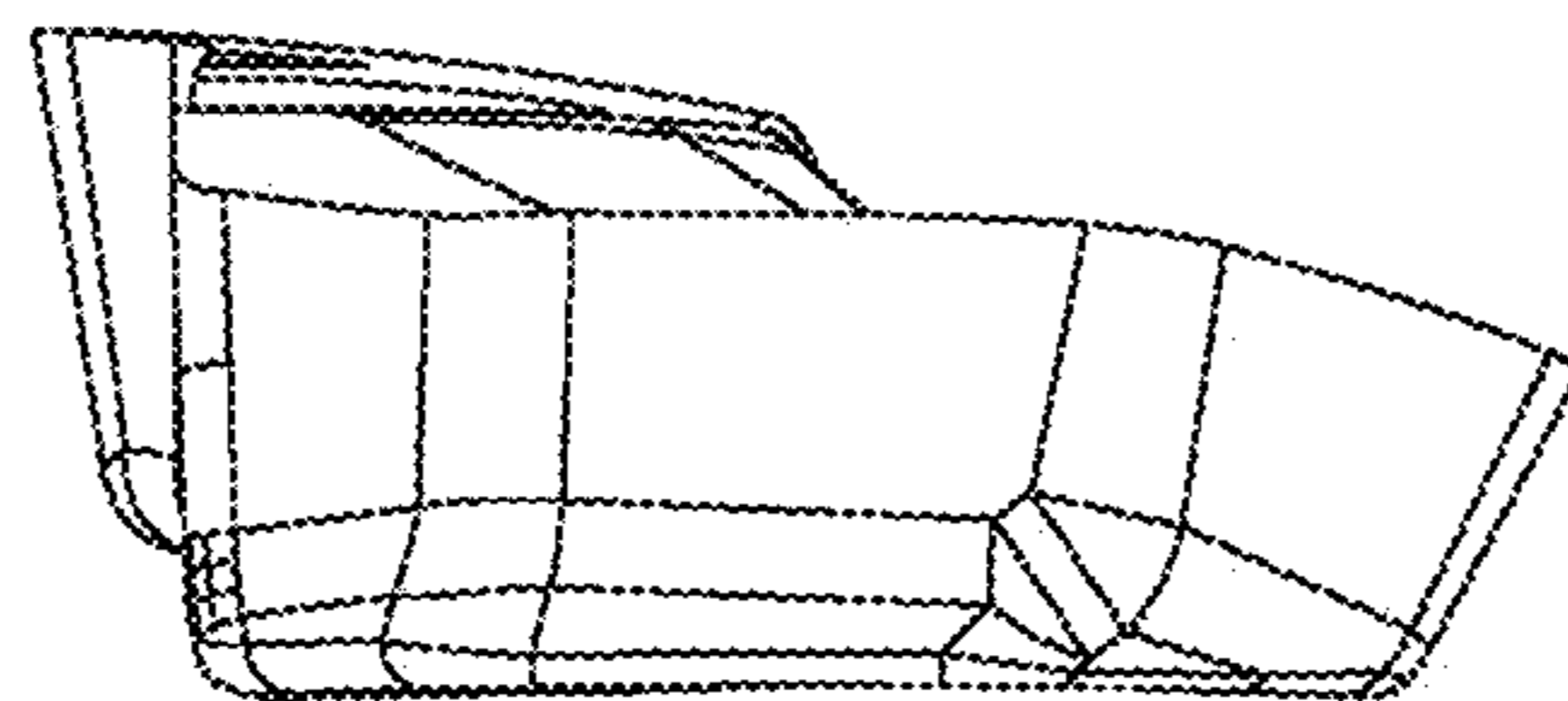


FIG. 63

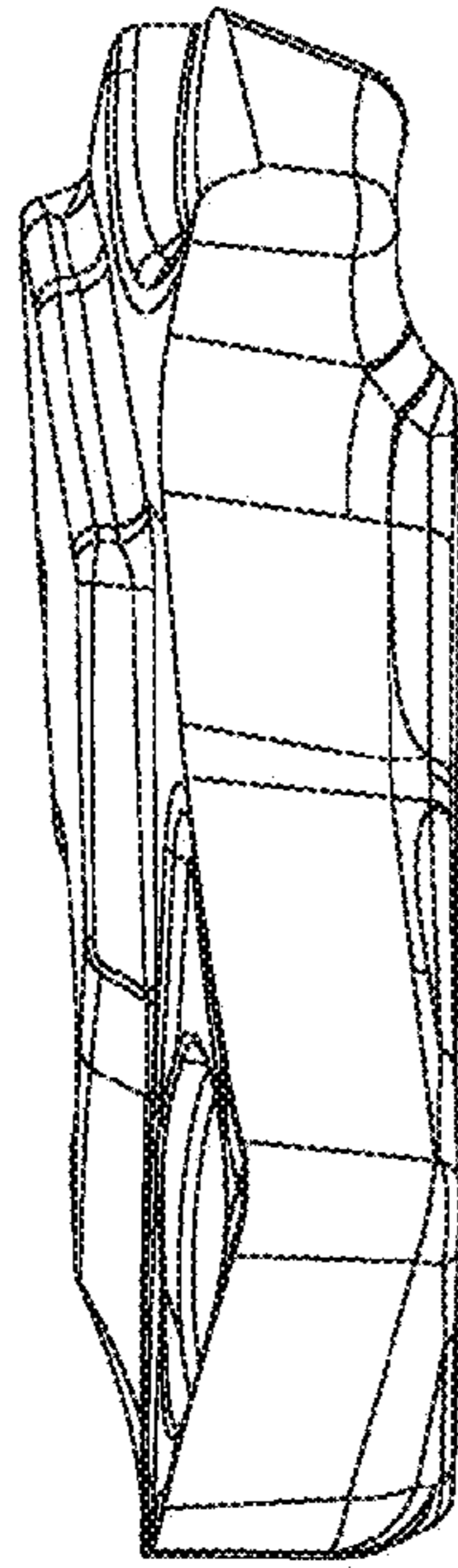


FIG. 64

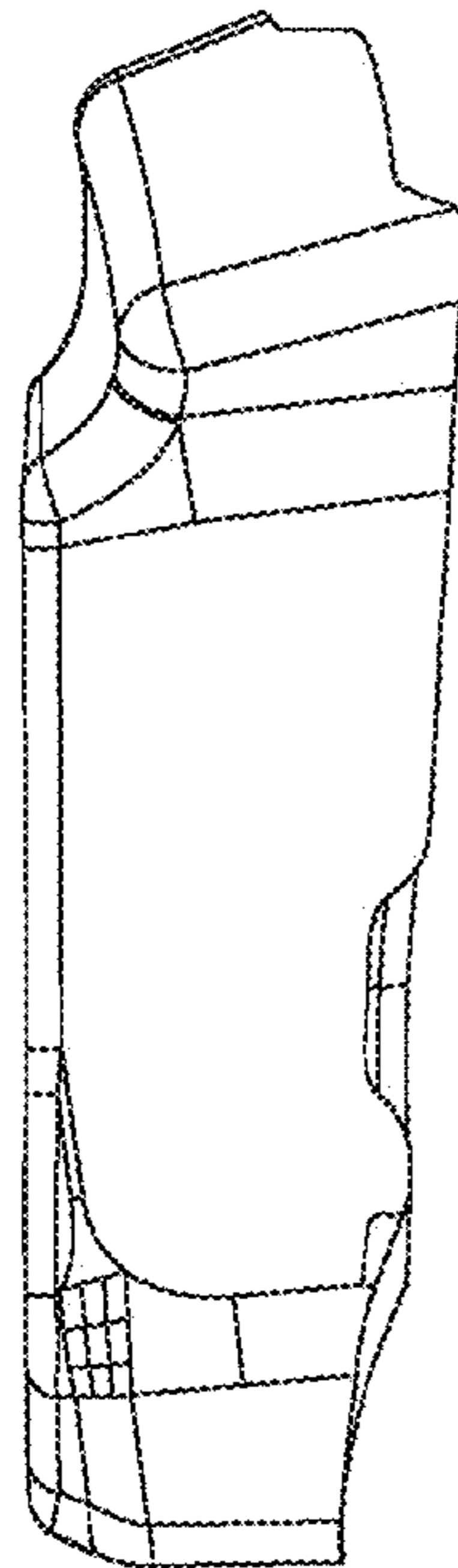


FIG. 65

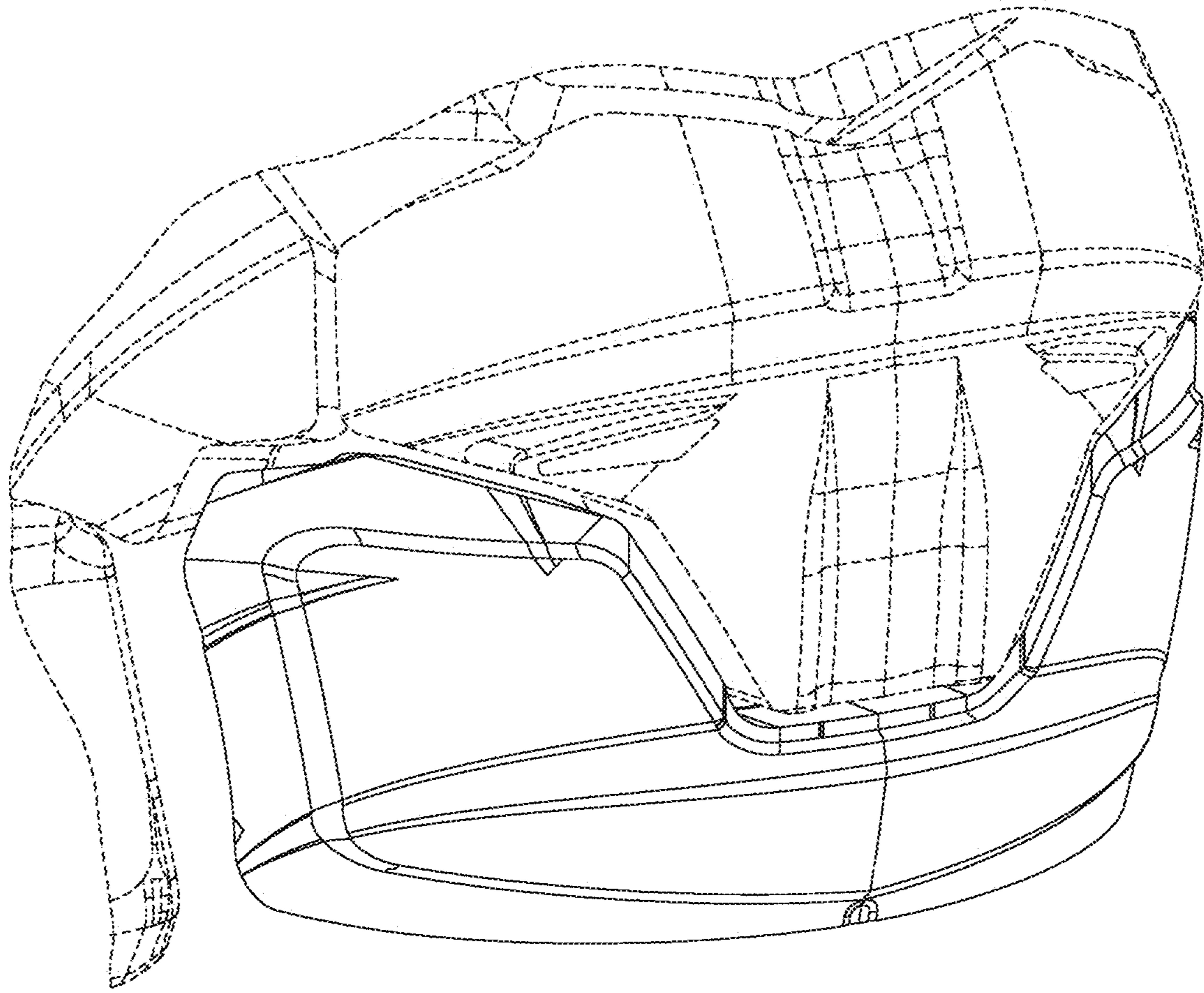


FIG. 66

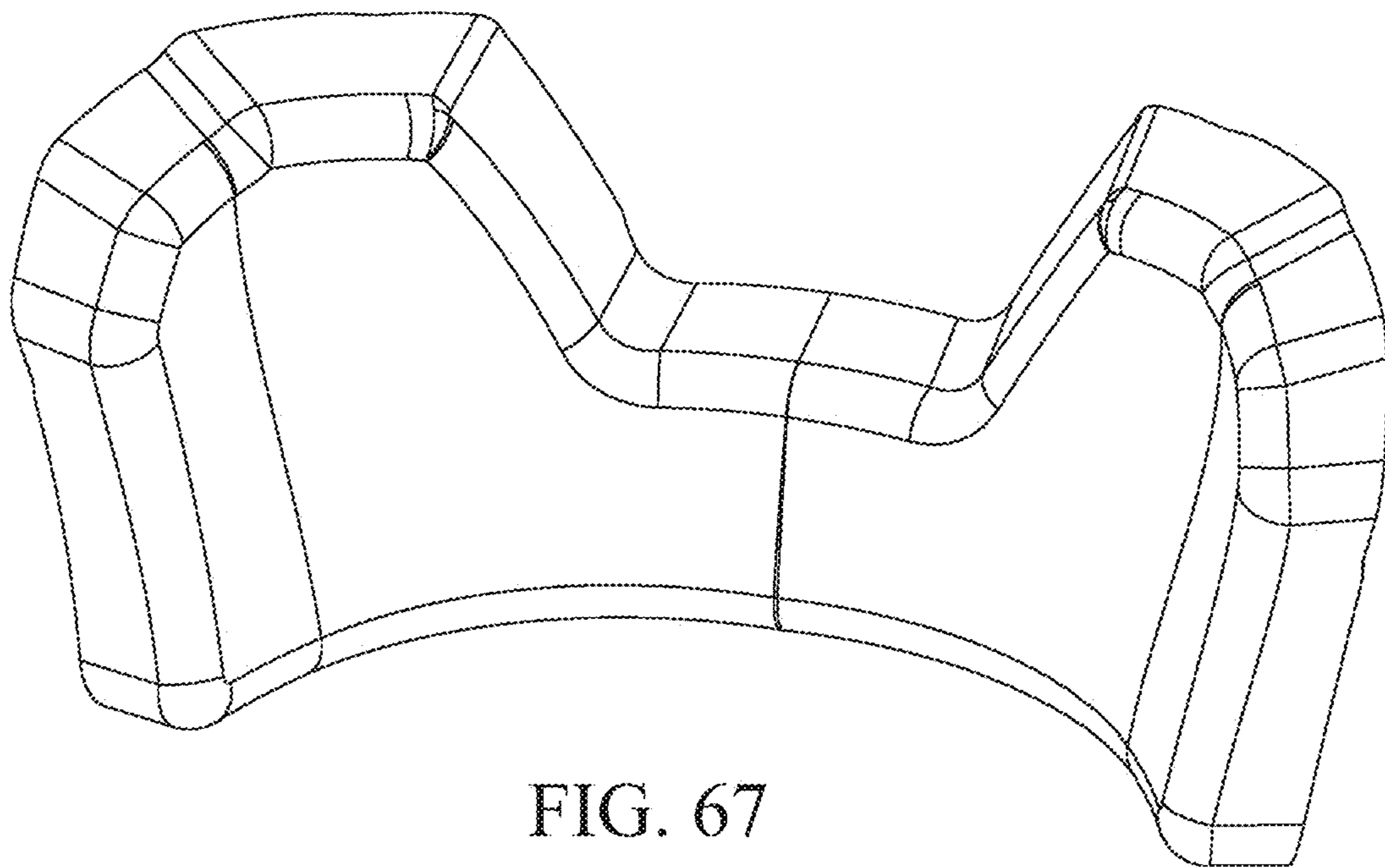


FIG. 67

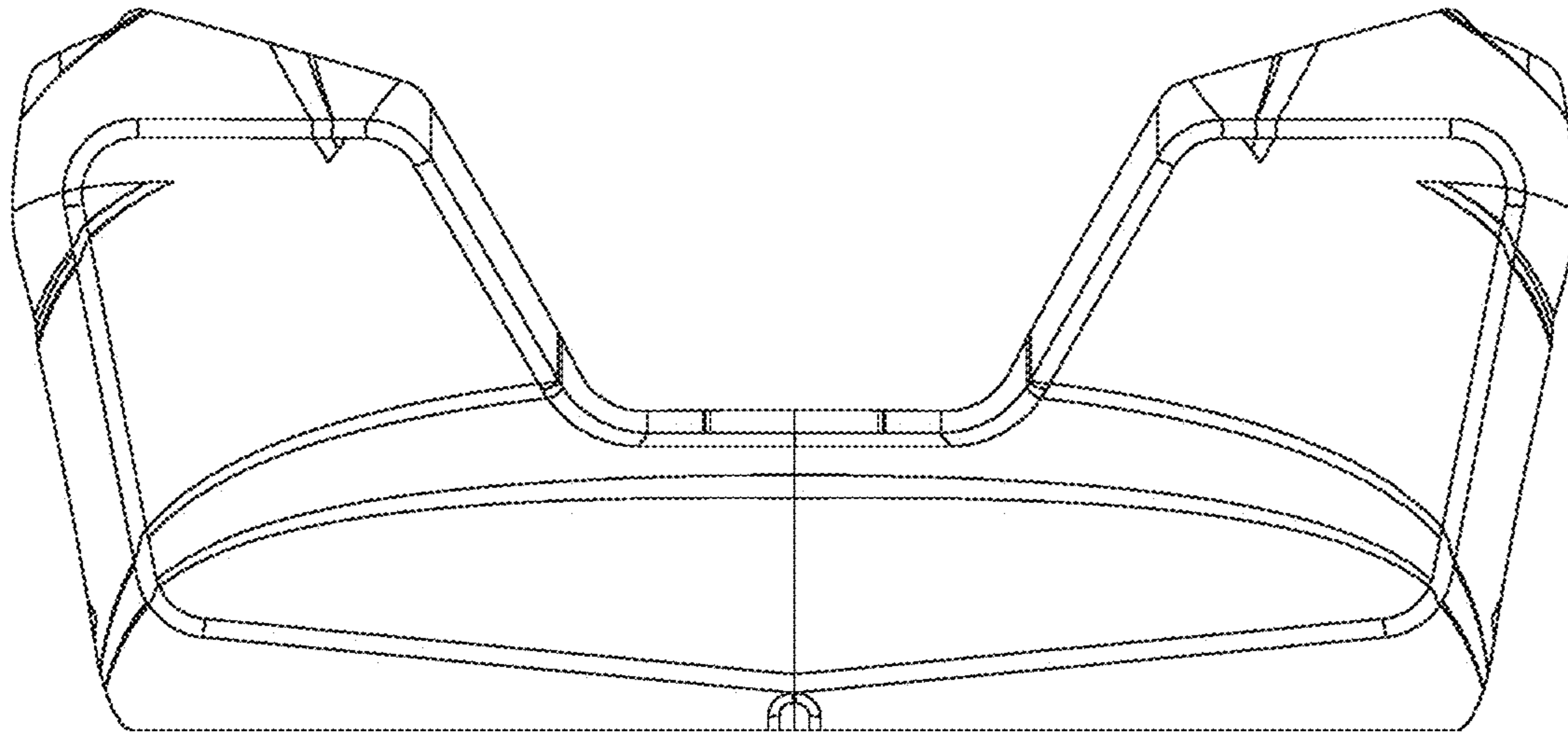


FIG. 68

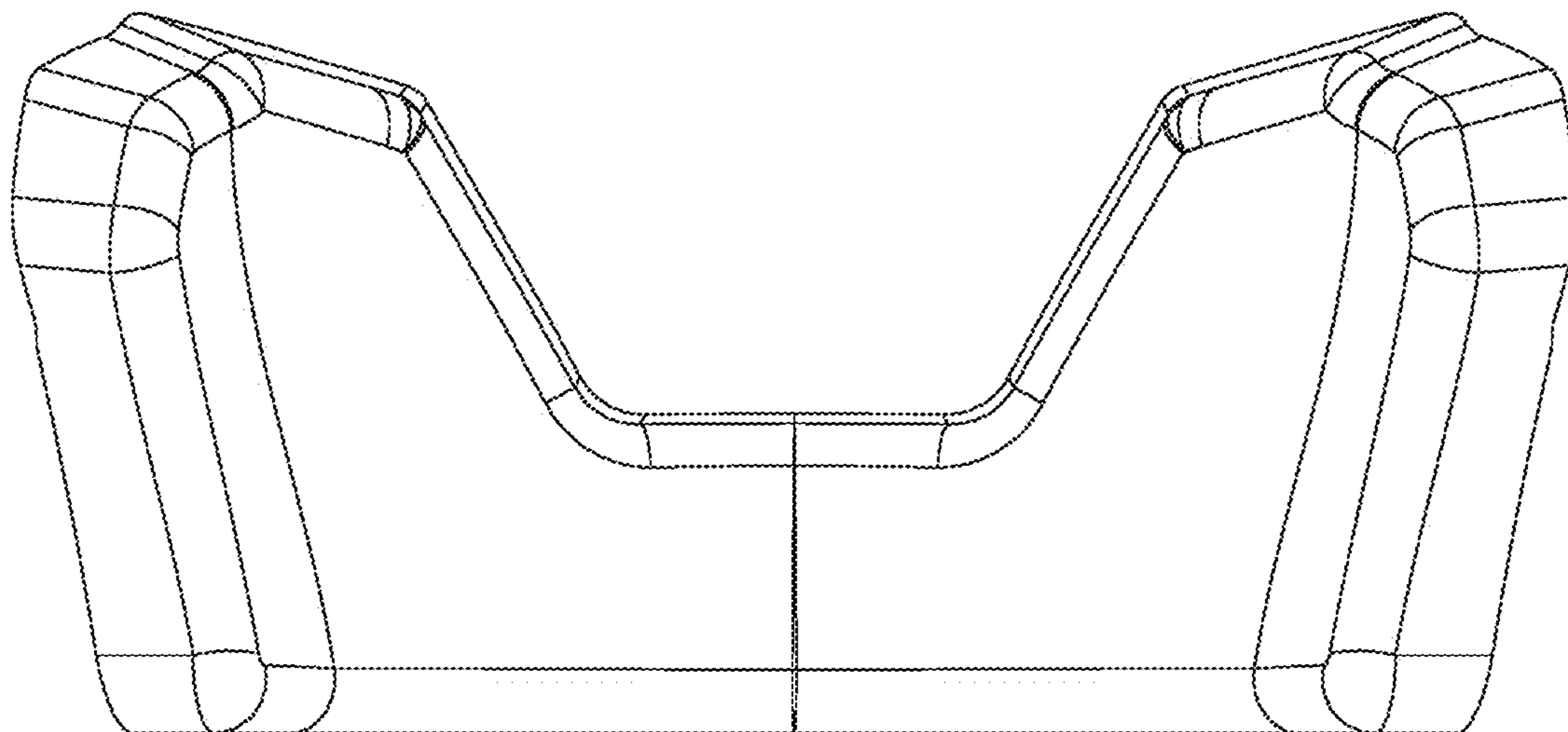
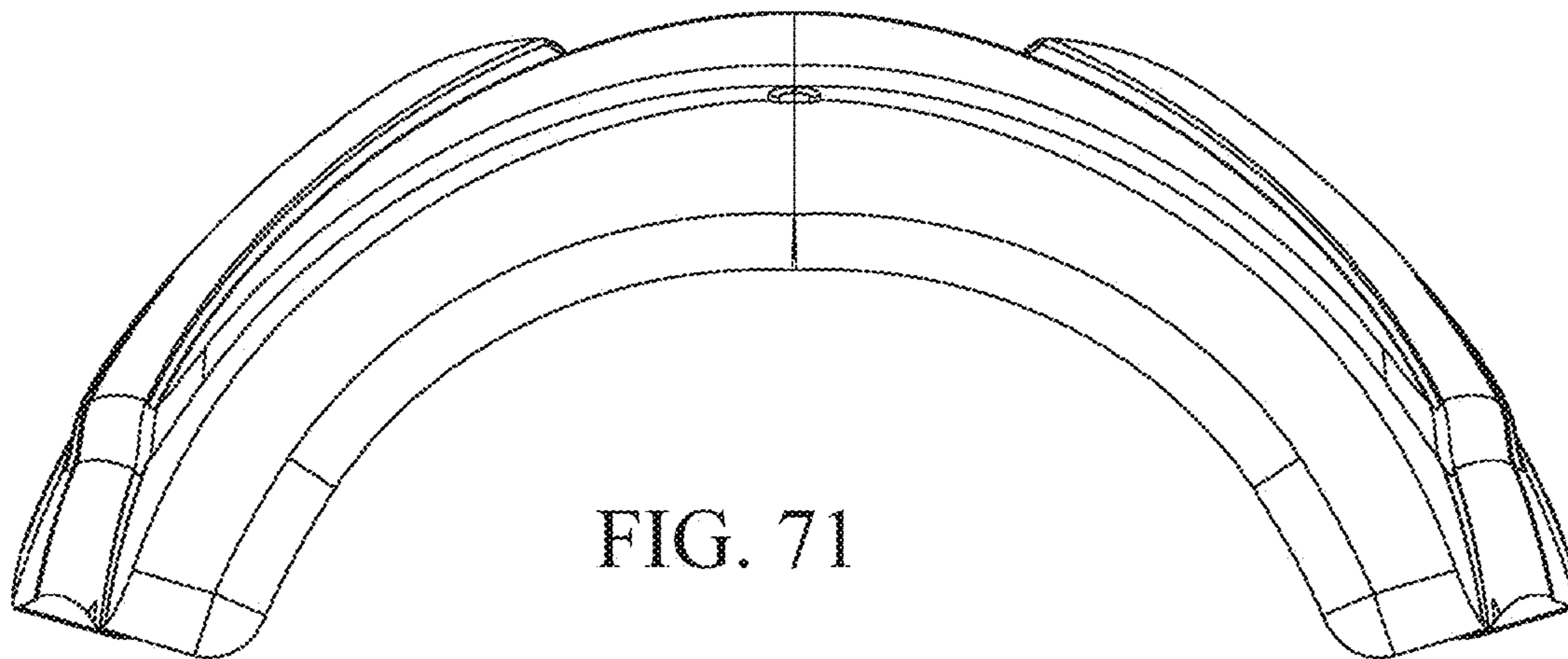
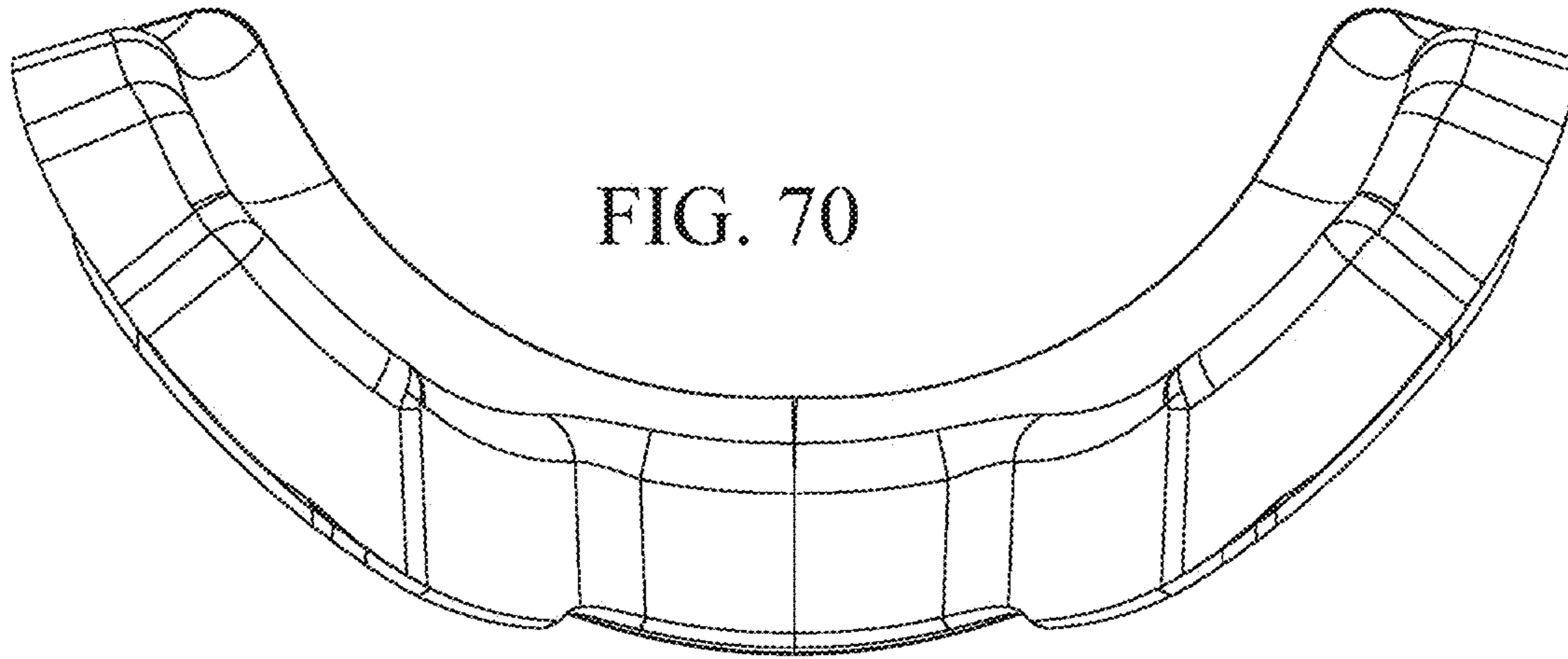


FIG. 69



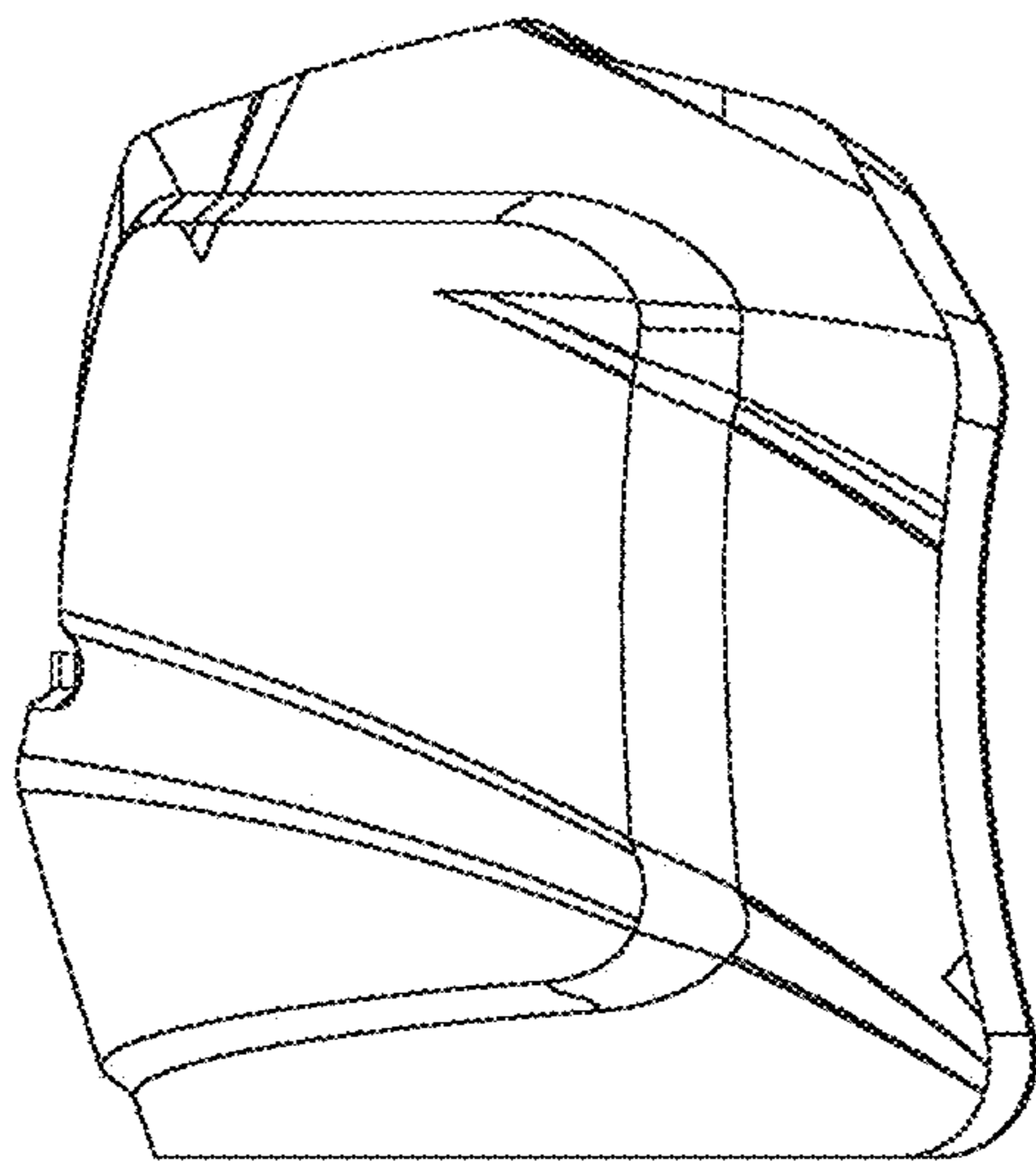


FIG. 72

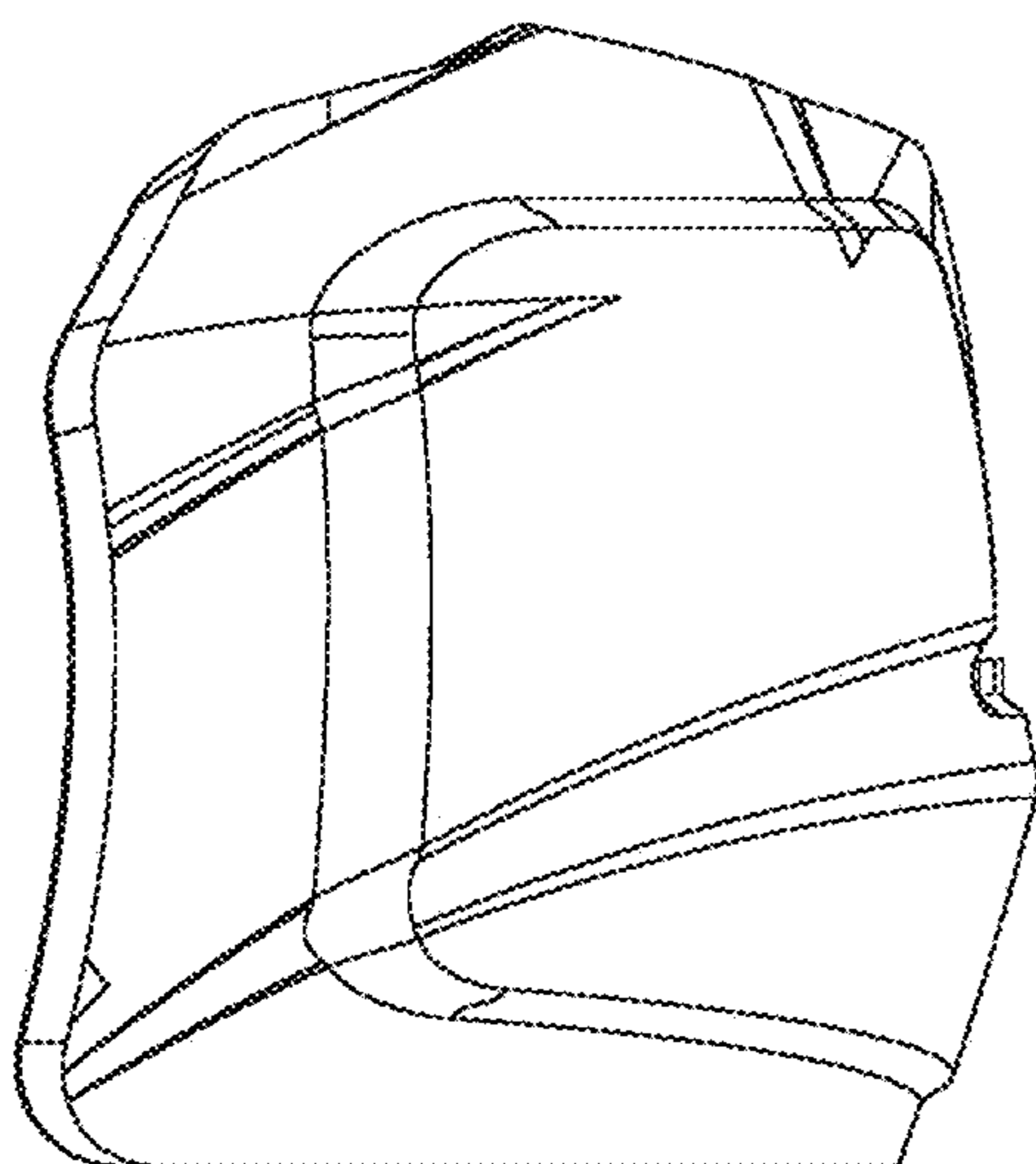


FIG. 73