



US00D925834S

(12) **United States Design Patent**  
**Babin et al.**

(10) **Patent No.:** **US D925,834 S**  
(45) **Date of Patent:** **\*\* Jul. 20, 2021**

- (54) **ONE-PIECE FACE MASK**
- (71) Applicant: **INTERNATIONAL VISUAL CORPORATION OF CANADA INC.**
- (72) Inventors: **Yvan Babin**, Montreal (CA); **Nicola Vardaro**, Montreal (CA)
- (\*\*) Term: **15 Years**
- (21) Appl. No.: **29/733,646**
- (22) Filed: **May 5, 2020**
- (51) **LOC (13) Cl.** ..... **29-02**
- (52) **U.S. Cl.**  
USPC ..... **D29/110**
- (58) **Field of Classification Search**  
USPC ..... D29/105–110, 123; D24/110.1–110.2;  
D2/866, 893; D28/10; D16/310–312  
See application file for complete search history.

- D354,589 S \* 1/1995 Russell ..... A41D 13/1184  
D29/110
- D375,583 S \* 11/1996 Landis ..... A41D 13/1184  
D29/108
- D899,002 S \* 10/2020 Chapman ..... A41D 13/1184  
D29/110

\* cited by examiner

*Primary Examiner* — Robert A Delehanty  
(74) *Attorney, Agent, or Firm* — Gonzalo Lavin; Lavery, de Billy, LLP

(57) **CLAIM**

The ornamental design for a one-piece face mask, as shown and described.

**DESCRIPTION**

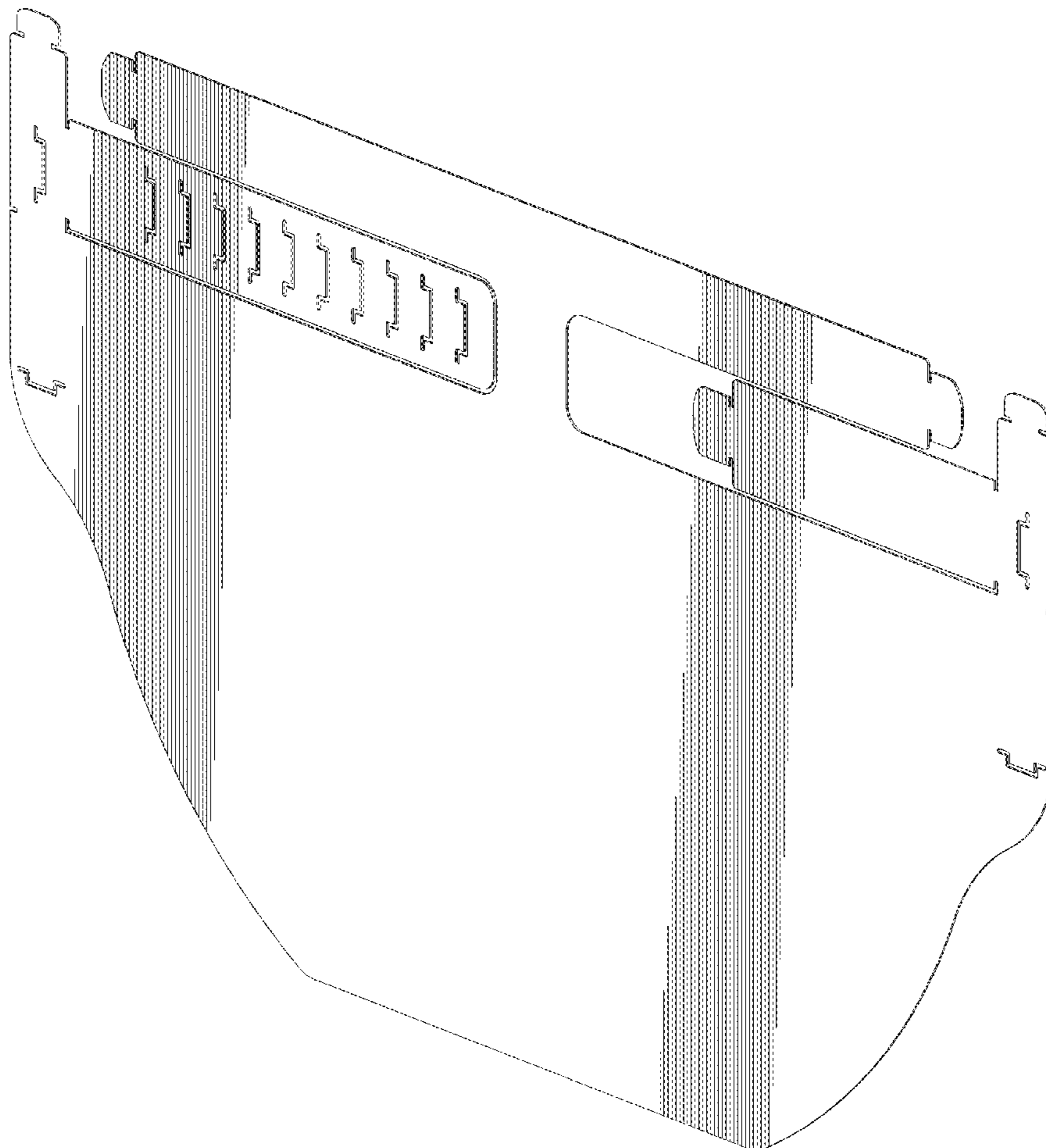
FIG. 1 is a perspective front view of a one-piece face mask showing our new design;  
FIG. 2 is a front elevational view thereof;  
FIG. 3 is a rear elevational plan view thereof;  
FIG. 4 is a left elevational plan view thereof;  
FIG. 5 is a right elevational plan view thereof;  
FIG. 6 is a top plan view thereof; and,  
FIG. 7 is a bottom plan view thereof.

**1 Claim, 5 Drawing Sheets**

(56) **References Cited**

U.S. PATENT DOCUMENTS

- 4,852,186 A \* 8/1989 Landis ..... A41D 13/1184  
2/9
- 4,964,171 A \* 10/1990 Landis ..... A41D 13/1184  
2/9



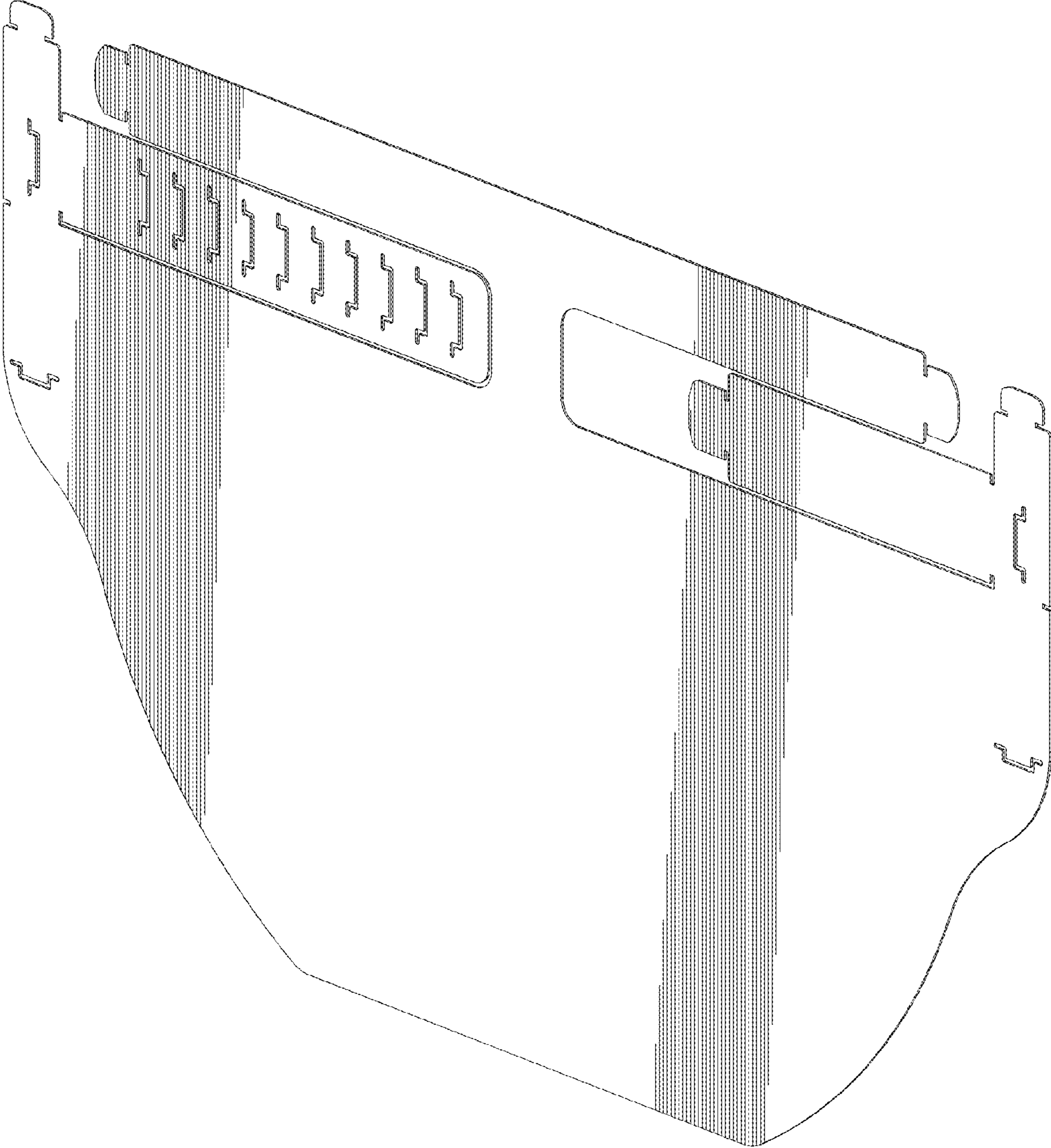


FIG. 1

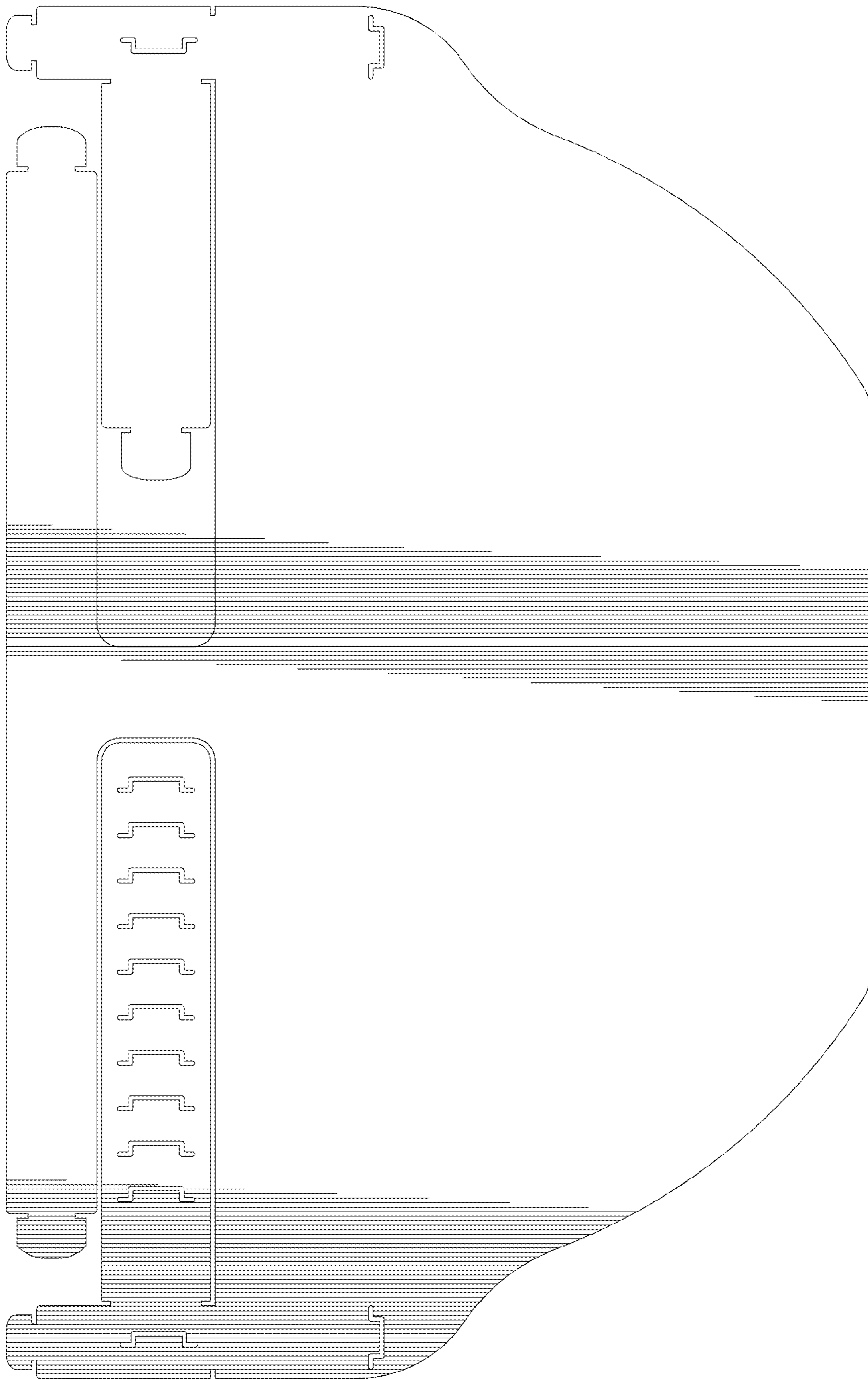


FIG. 2

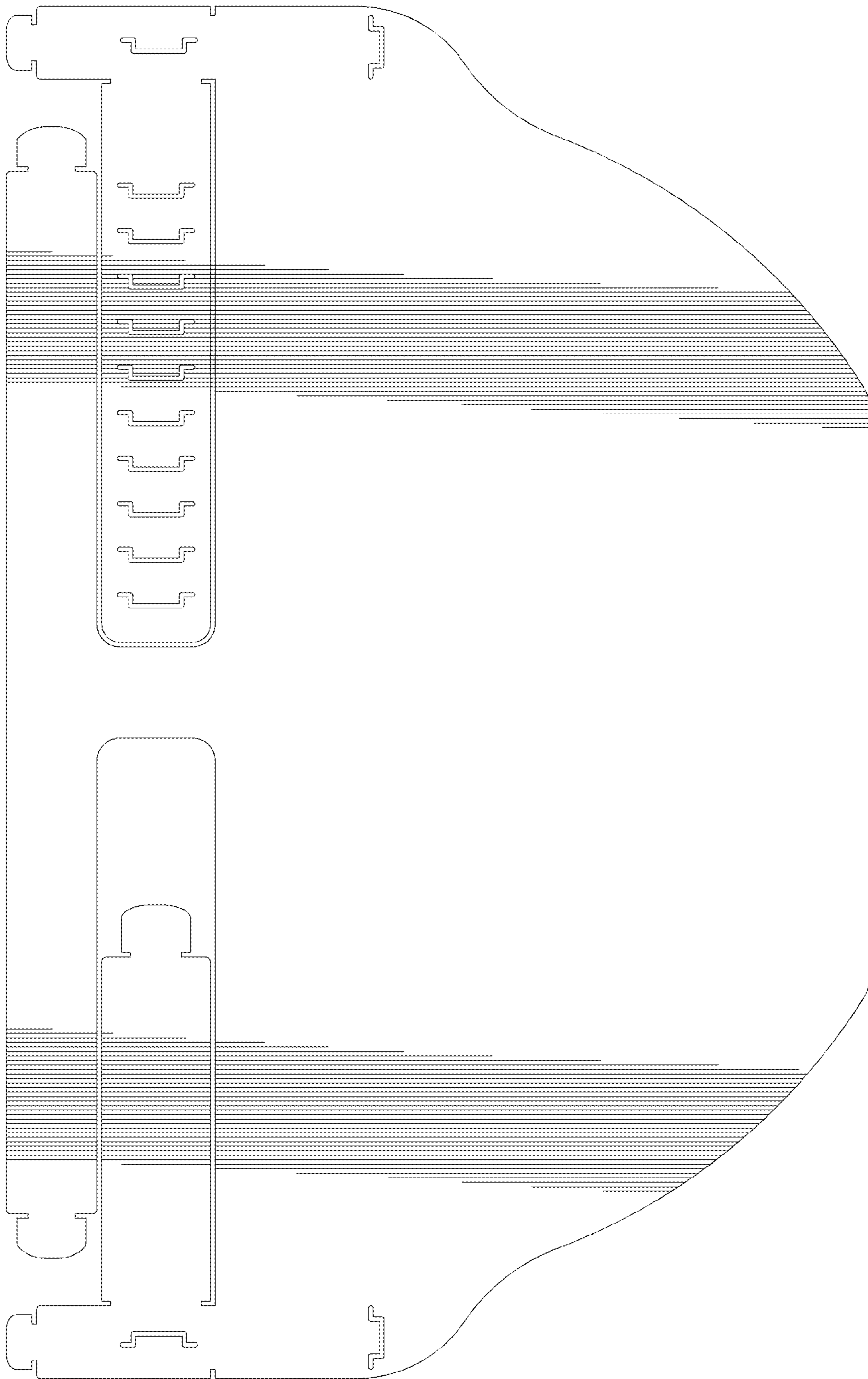


FIG. 3

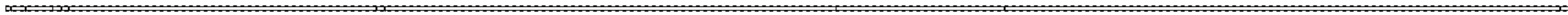


FIG. 5



FIG. 4

FIG. 6

FIG. 7