



US00D925831S

(12) **United States Design Patent**
Yue

(10) **Patent No.:** **US D925,831 S**
(45) **Date of Patent:** **** Jul. 20, 2021**

- (54) **BATH BRUSH**
- (71) Applicant: **Wenyong Yue**, Shenzhen (CN)
- (72) Inventor: **Wenyong Yue**, Shenzhen (CN)
- (**) Term: **15 Years**
- (21) Appl. No.: **29/745,276**
- (22) Filed: **Aug. 5, 2020**
- (51) **LOC (13) Cl.** **28-03**
- (52) **U.S. Cl.**
USPC **D28/63; D4/128**
- (58) **Field of Classification Search**
USPC D4/100, 102, 121, 127, 126, 128, 129,
D4/130, 132, 133, 134, 135, 136, 138,
D4/199; D24/211, 214, 215; D30/158,
D30/159, 160; D32/35
CPC A46B 2200/1006; A46B 2200/102; A46B
2200/10
See application file for complete search history.

(56) **References Cited**

U.S. PATENT DOCUMENTS

D425,309 S *	5/2000	Granito	D4/121
D514,328 S *	2/2006	Huang	D24/211
D715,010 S *	10/2014	Beaver	D32/47
D768,945 S *	10/2016	Chen	D32/35
D782,197 S *	3/2017	Kern	D4/127
D795,593 S *	8/2017	Huang	D4/127
D797,461 S *	9/2017	Dandridge	D4/127
D812,379 S *	3/2018	Ng	D4/120
D816,342 S *	5/2018	Tai	D4/100

D817,571 S *	5/2018	Campbell	D32/35
D822,918 S *	7/2018	Woods	D30/160
D843,732 S *	3/2019	Kling	D4/127
D882,273 S *	4/2020	Kling	D4/127
D882,810 S *	4/2020	Sedic	D24/215
D890,432 S *	7/2020	Huang	D28/63
D902,491 S *	11/2020	de la Cruz	D28/63
D916,406 S *	4/2021	Chen	D32/35

FOREIGN PATENT DOCUMENTS

CN 306281384 * 1/2021

* cited by examiner

Primary Examiner — Karen E Eldridge Powers

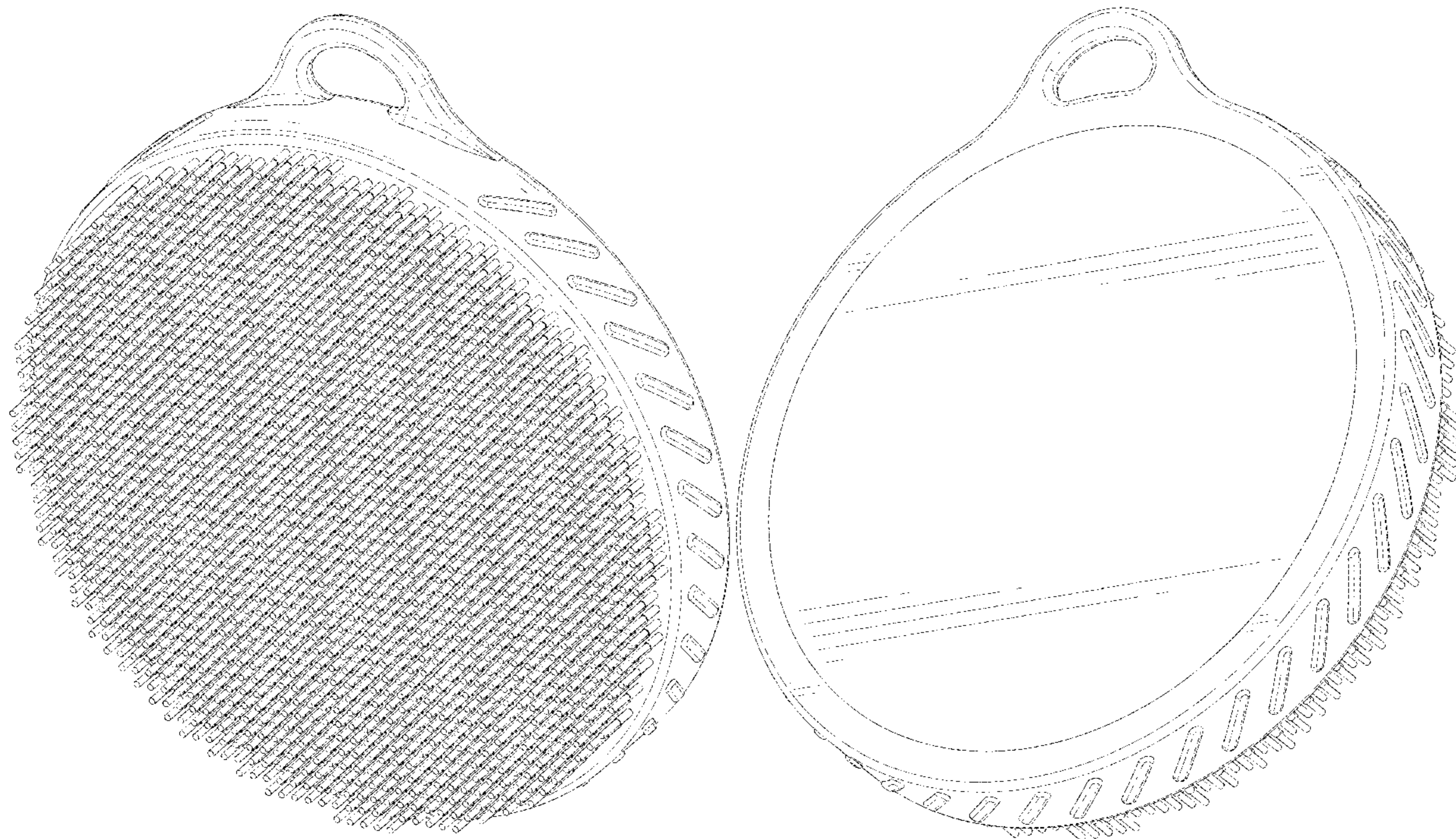
(57) **CLAIM**

The ornamental design for a bath brush, as shown and described.

DESCRIPTION

FIG. 1 is a top, front and right side perspective view of a bath brush showing my new design;
 FIG. 2 is a bottom, rear and left side perspective view thereof;
 FIG. 3 is a front elevational view thereof;
 FIG. 4 is a rear elevational view thereof;
 FIG. 5 is a left side elevational view thereof;
 FIG. 6 is a right side elevational view thereof;
 FIG. 7 is a top plan view thereof; and,
 FIG. 8 is a bottom plan view thereof.

1 Claim, 8 Drawing Sheets



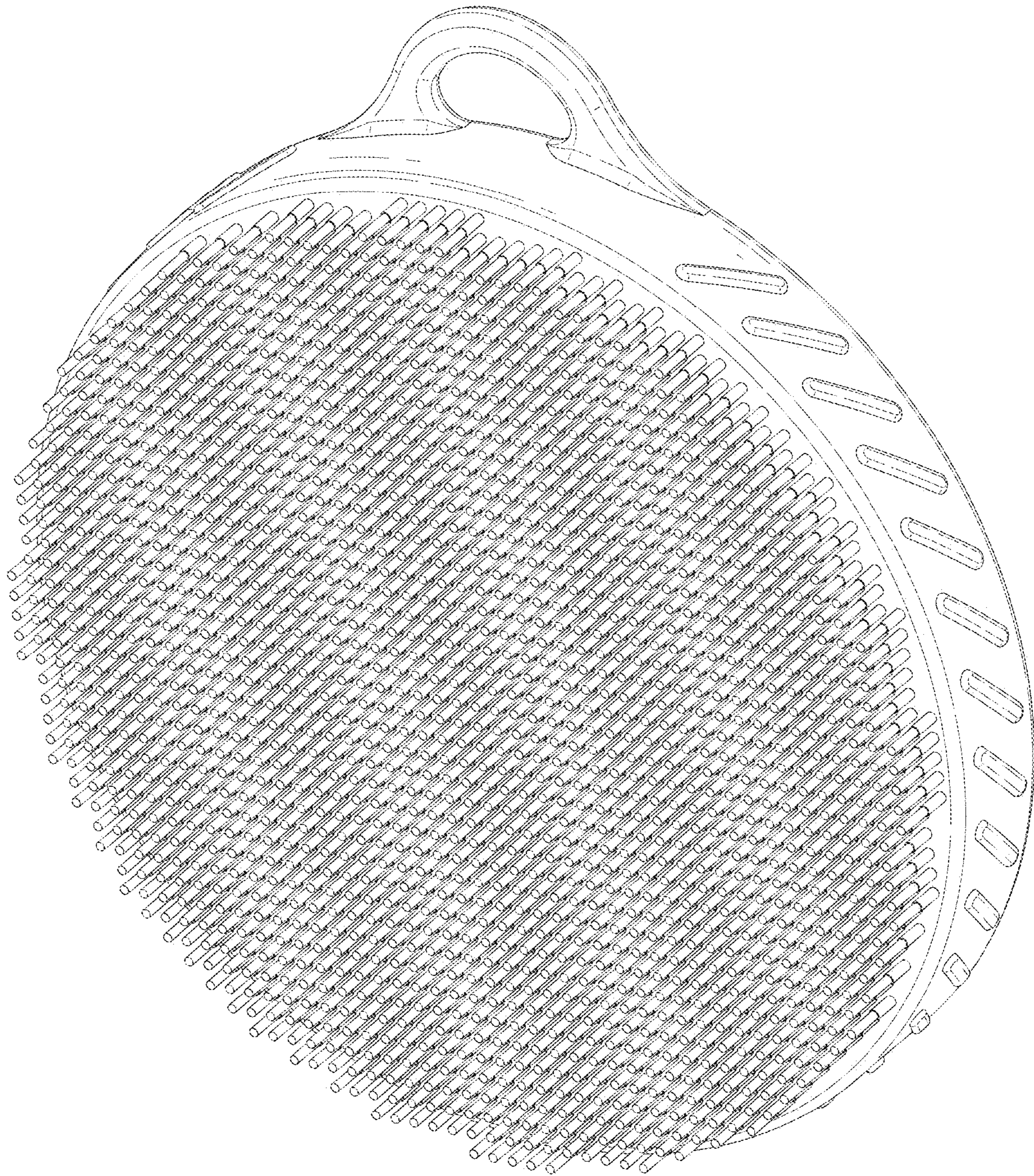


FIG. 1

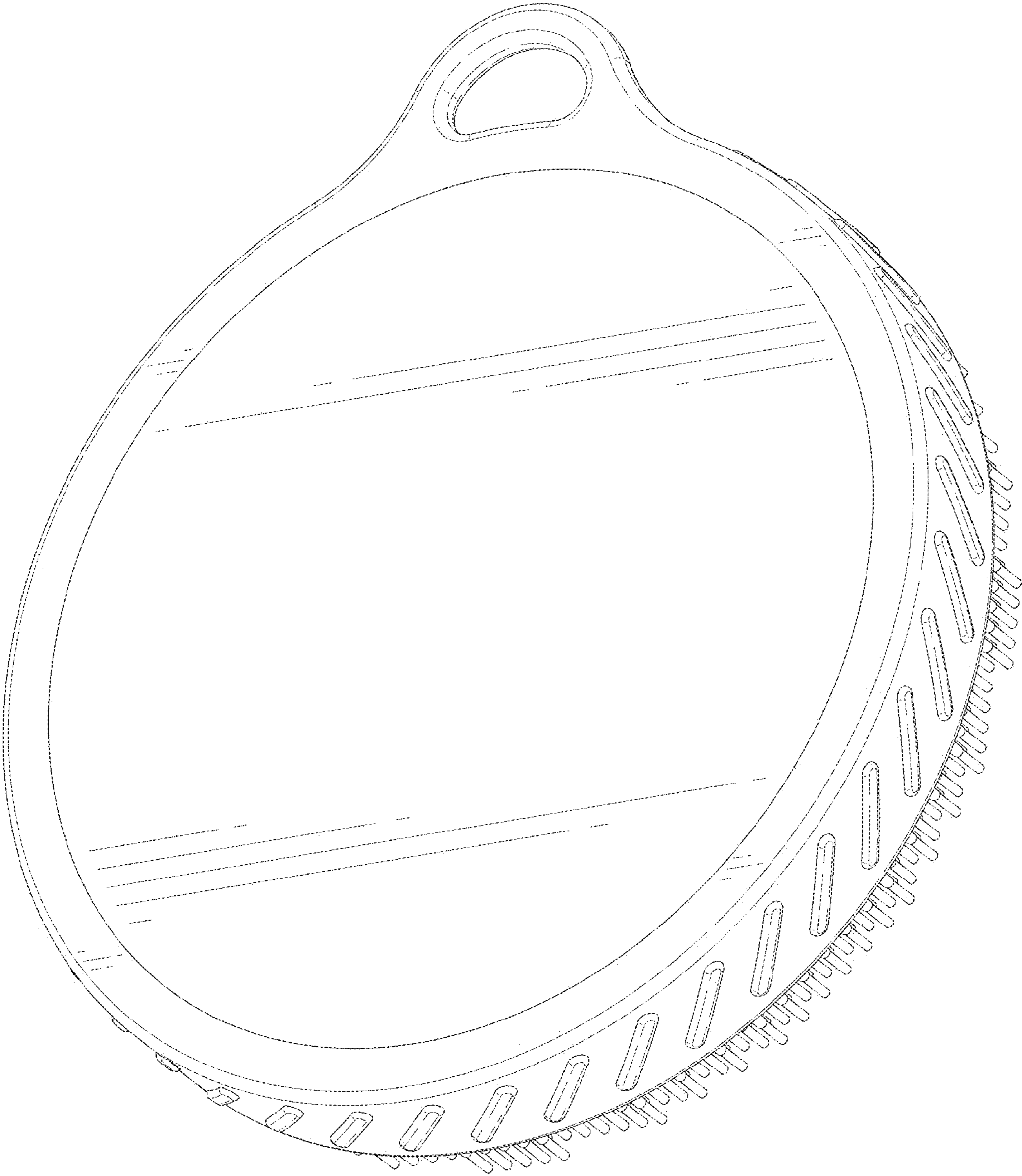


FIG. 2

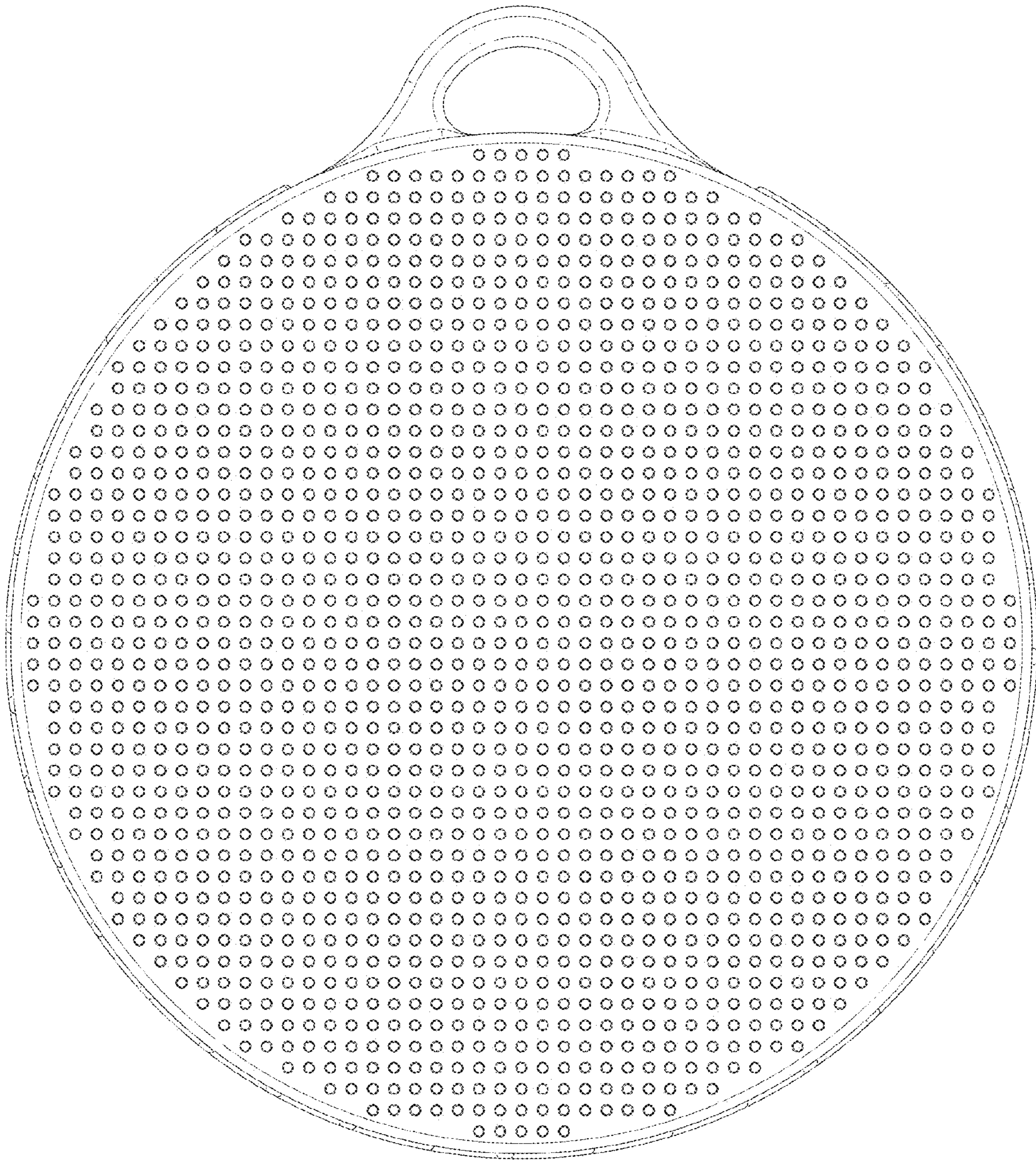


FIG. 3

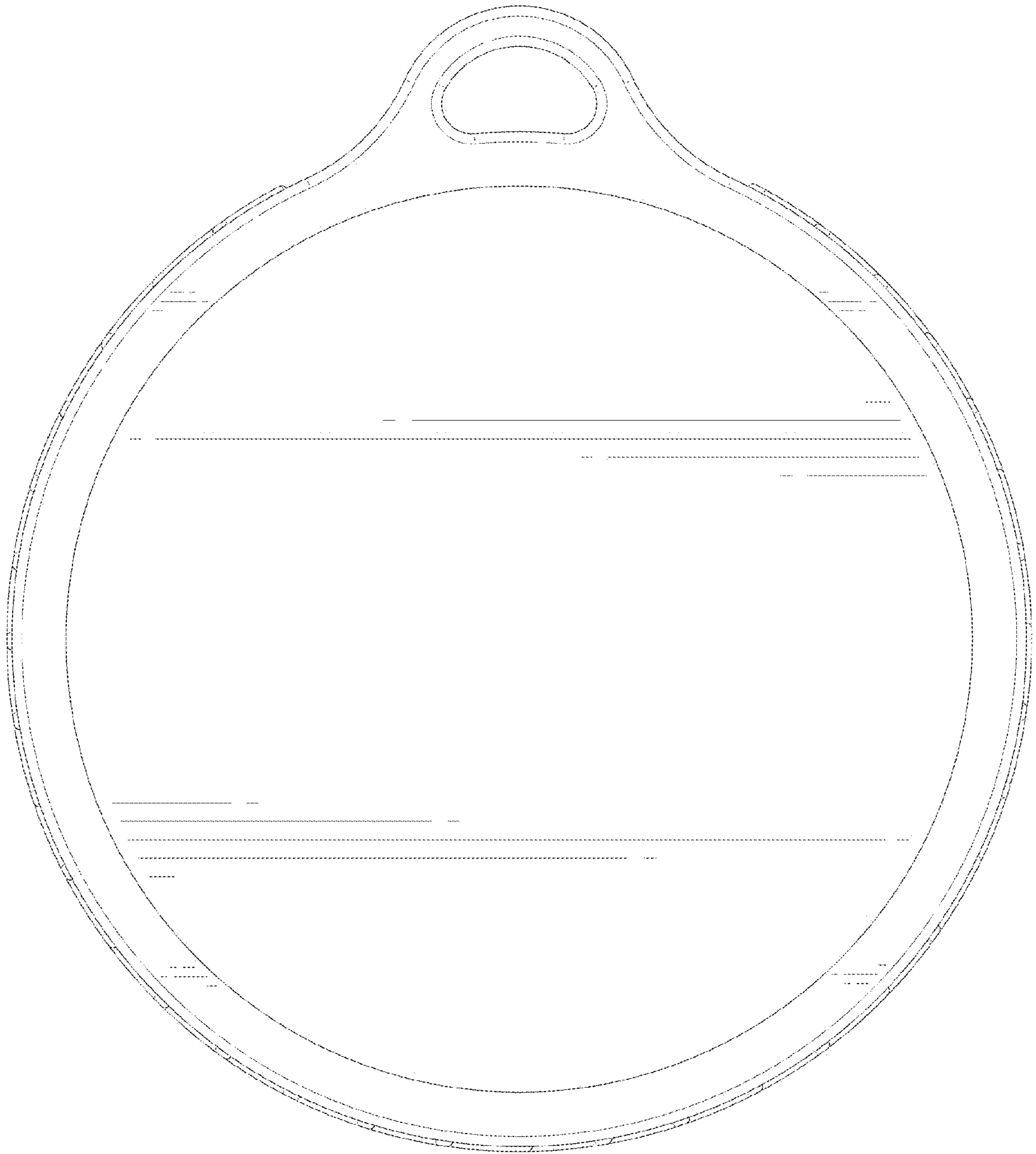


FIG. 4

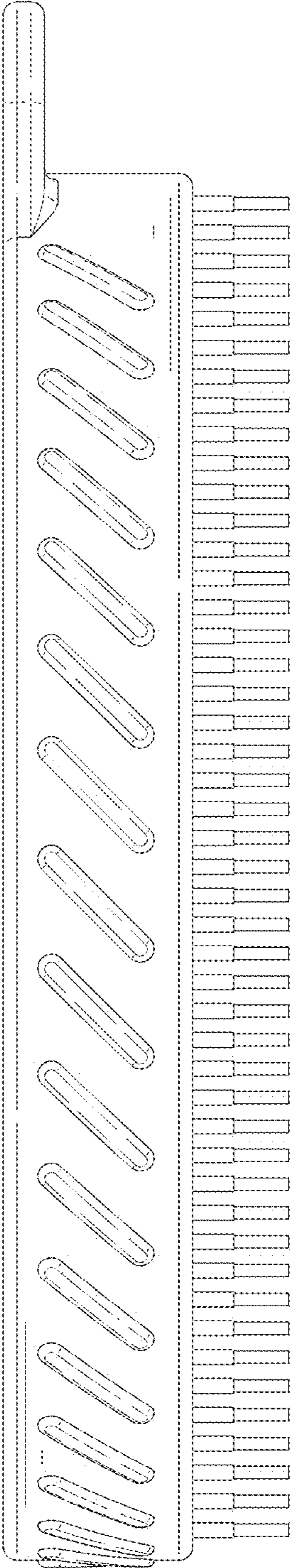


FIG. 5

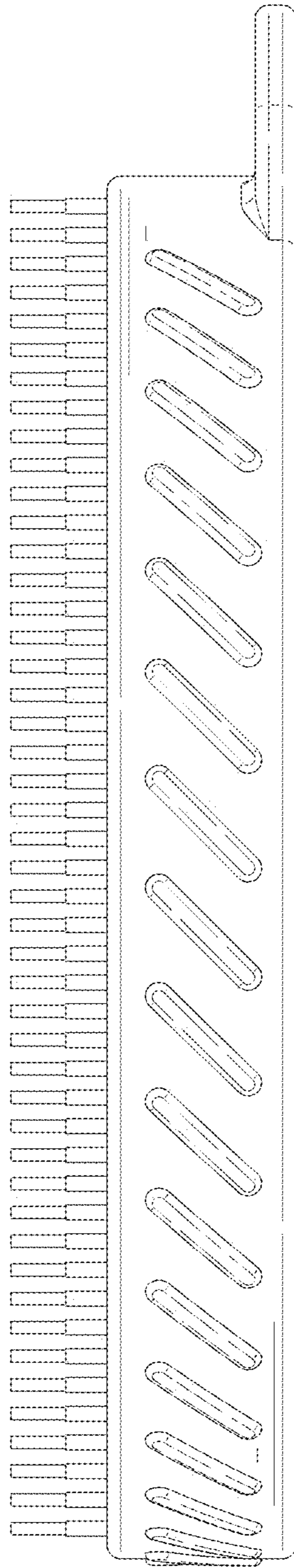


FIG. 6

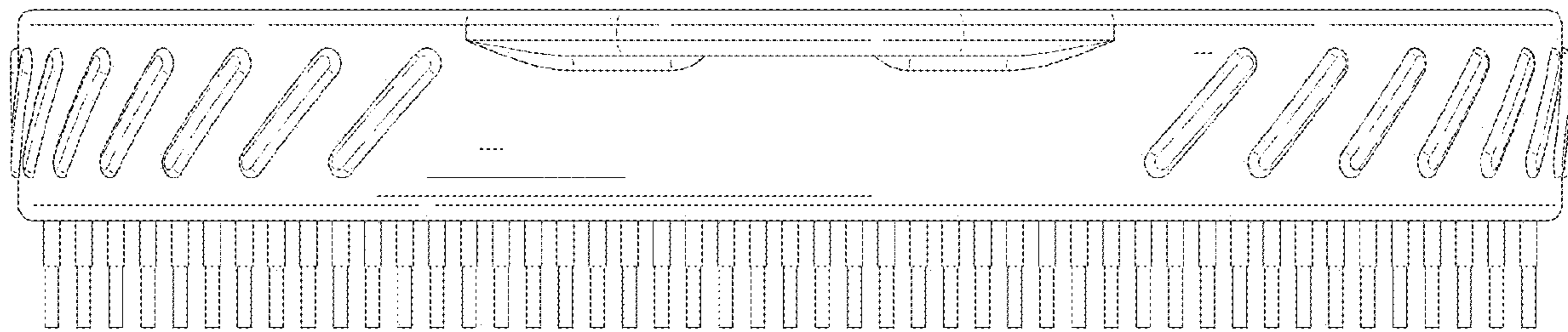


FIG. 7

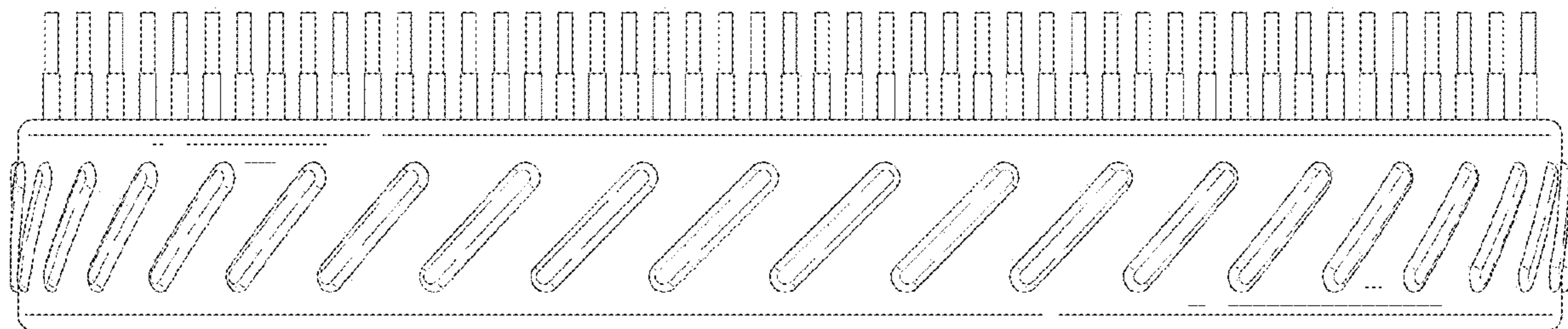


FIG. 8