



US00D925827S

(12) **United States Design Patent** (10) **Patent No.:** **US D925,827 S**  
**Tam** (45) **Date of Patent:** **\*\* Jul. 20, 2021**

(54) **HAIR DRYER ATTACHMENT**  
(71) Applicant: **CONAIR CORPORATION**, Stamford, CT (US)

D896,440 S \* 9/2020 Lim ..... D28/18  
2002/0078587 A1 6/2002 White  
2002/0112362 A1 8/2002 Correa et al.  
2007/0034225 A1 2/2007 Chen

(72) Inventor: **Ka Yan Connie Tam**, San Po Kong (HK)

FOREIGN PATENT DOCUMENTS

(73) Assignee: **Conair LLC**, Stamford, CT (US)

JP H08256824 A 10/1996  
KR 20040050046 A 6/2004  
KR 200197508 Y1 9/2009

(\*\*) Term: **15 Years**

\* cited by examiner

(21) Appl. No.: **29/698,009**

*Primary Examiner* — Zenia I Bennett  
(74) *Attorney, Agent, or Firm* — Ohlandt, Greeley, Ruggiero & Perle, L.L.P.

(22) Filed: **Jul. 12, 2019**

(51) **LOC (13) Cl.** ..... **28-03**

(57) **CLAIM**

(52) **U.S. Cl.**  
USPC ..... **D28/18**

The ornamental design for a hair dryer attachment, as shown and described.

(58) **Field of Classification Search**  
USPC ..... D28/12–19; D8/29.1  
CPC ..... A45D 20/00; A45D 20/08; A45D 20/10;  
A45D 20/12; A45D 20/122; A45D  
20/124; A45D 2020/128  
See application file for complete search history.

**DESCRIPTION**

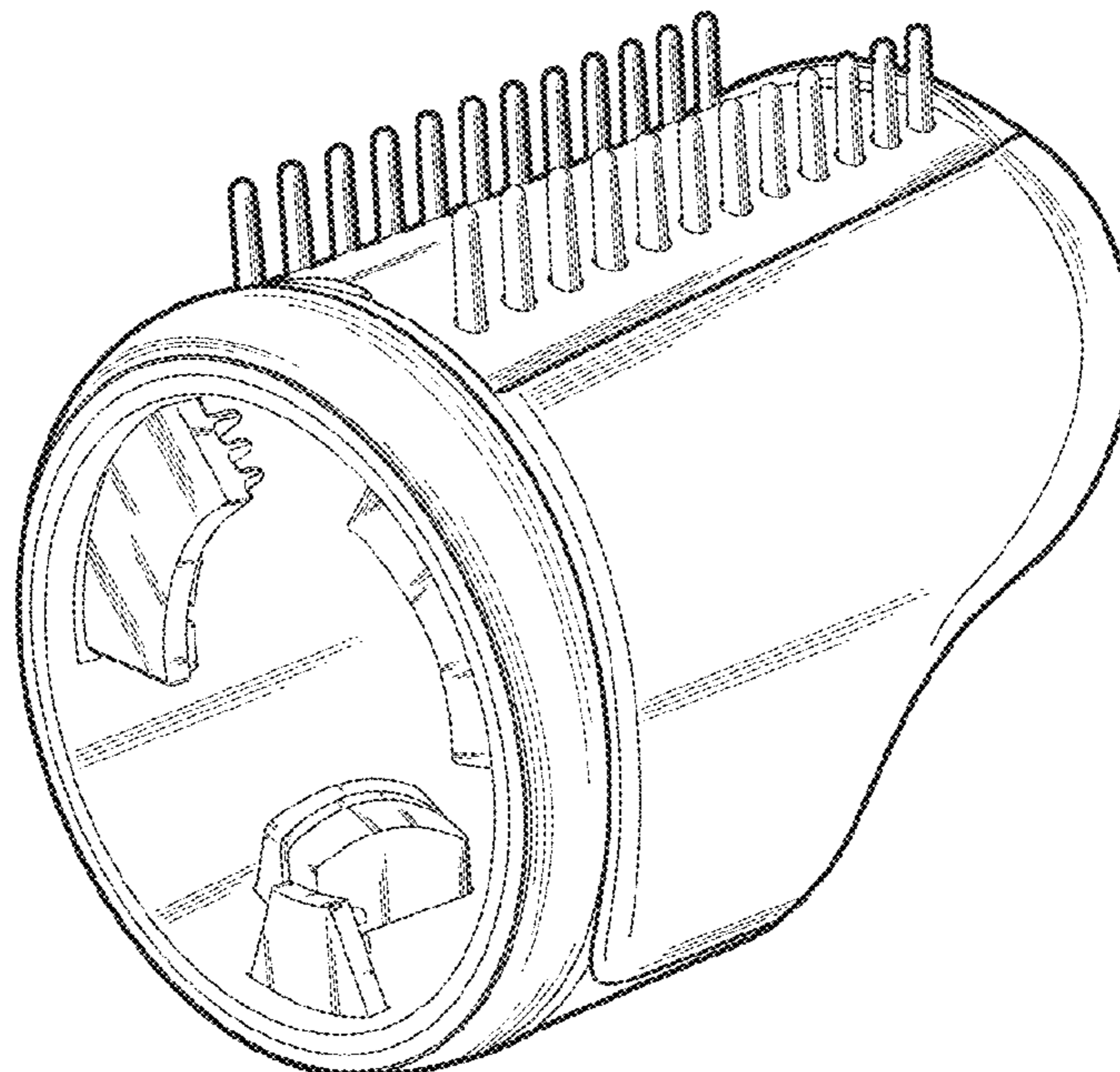
(56) **References Cited**

U.S. PATENT DOCUMENTS

D381,766 S \* 7/1997 Smal ..... D28/18  
5,729,907 A 3/1998 Santhouse et al.  
D425,244 S \* 5/2000 Smith ..... D28/18  
6,094,837 A 8/2000 Cantor  
D433,182 S \* 10/2000 Kwong ..... D28/18  
D440,354 S \* 4/2001 Kwong ..... D28/18  
D448,115 S \* 9/2001 White ..... D28/18  
D465,611 S \* 11/2002 Tobin ..... D28/18  
D476,443 S \* 6/2003 Ohta ..... D28/18  
6,775,922 B2 8/2004 Langley et al.  
7,124,763 B2 10/2006 Hafemann  
9,578,945 B2 2/2017 Han

FIG. 1 is a front right side perspective view of an ornamental design for a hair dryer attachment according to the present invention;  
FIG. 2 is front left side perspective view of the hair dryer attachment of FIG. 1;  
FIG. 3 is a rear elevational view of the hair dryer attachment of FIG. 1;  
FIG. 4 is a top plan view of the hair dryer attachment of FIG. 1;  
FIG. 5 is a bottom plan view of the hair dryer attachment of FIG. 1;  
FIG. 6 is a left side elevational view of the hair dryer attachment of FIG. 1;  
FIG. 7 is a front elevational view of the hair dryer attachment of FIG. 1; and,  
FIG. 8 is a right side elevational view of the hair dryer attachment of FIG. 1.

**1 Claim, 2 Drawing Sheets**



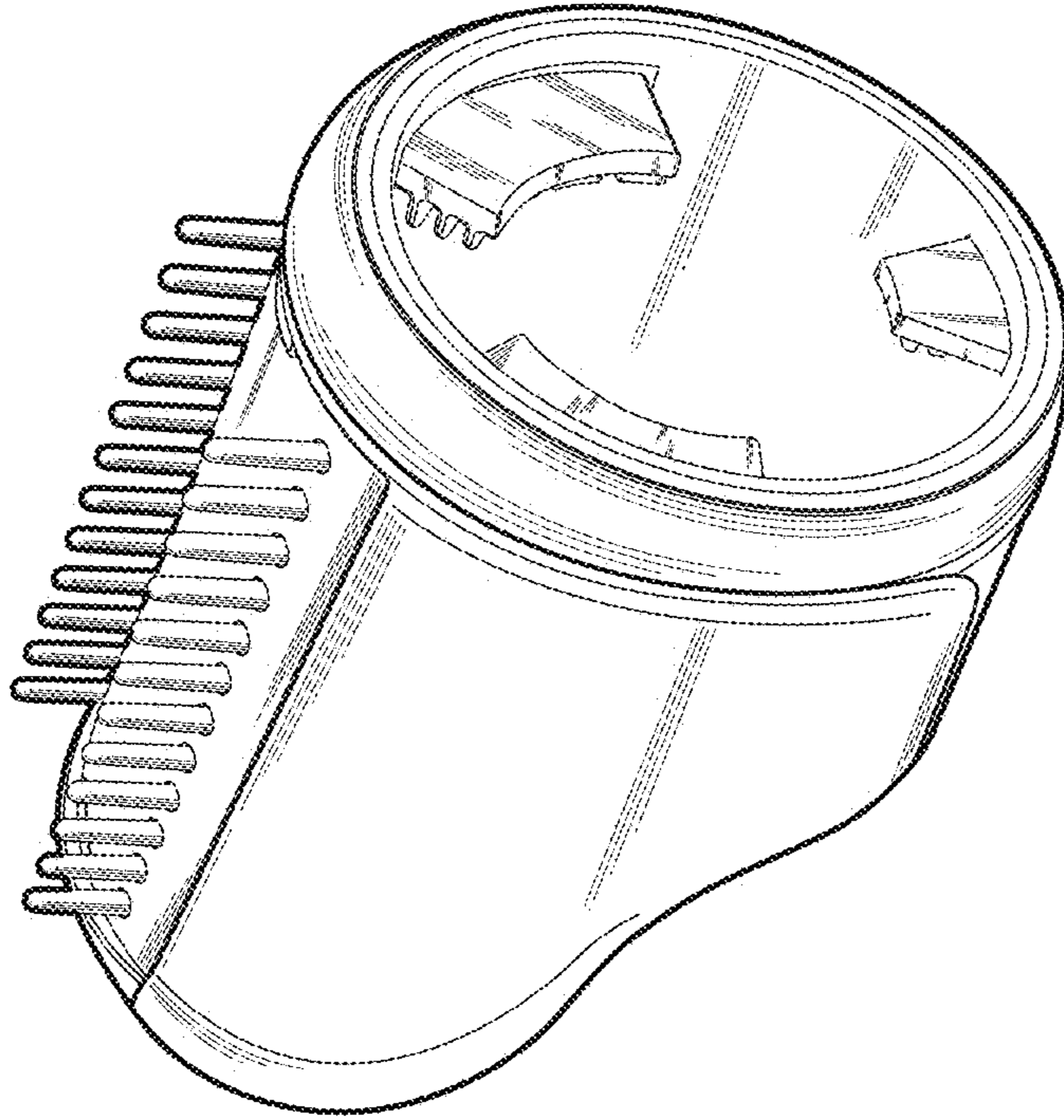


FIG. 2

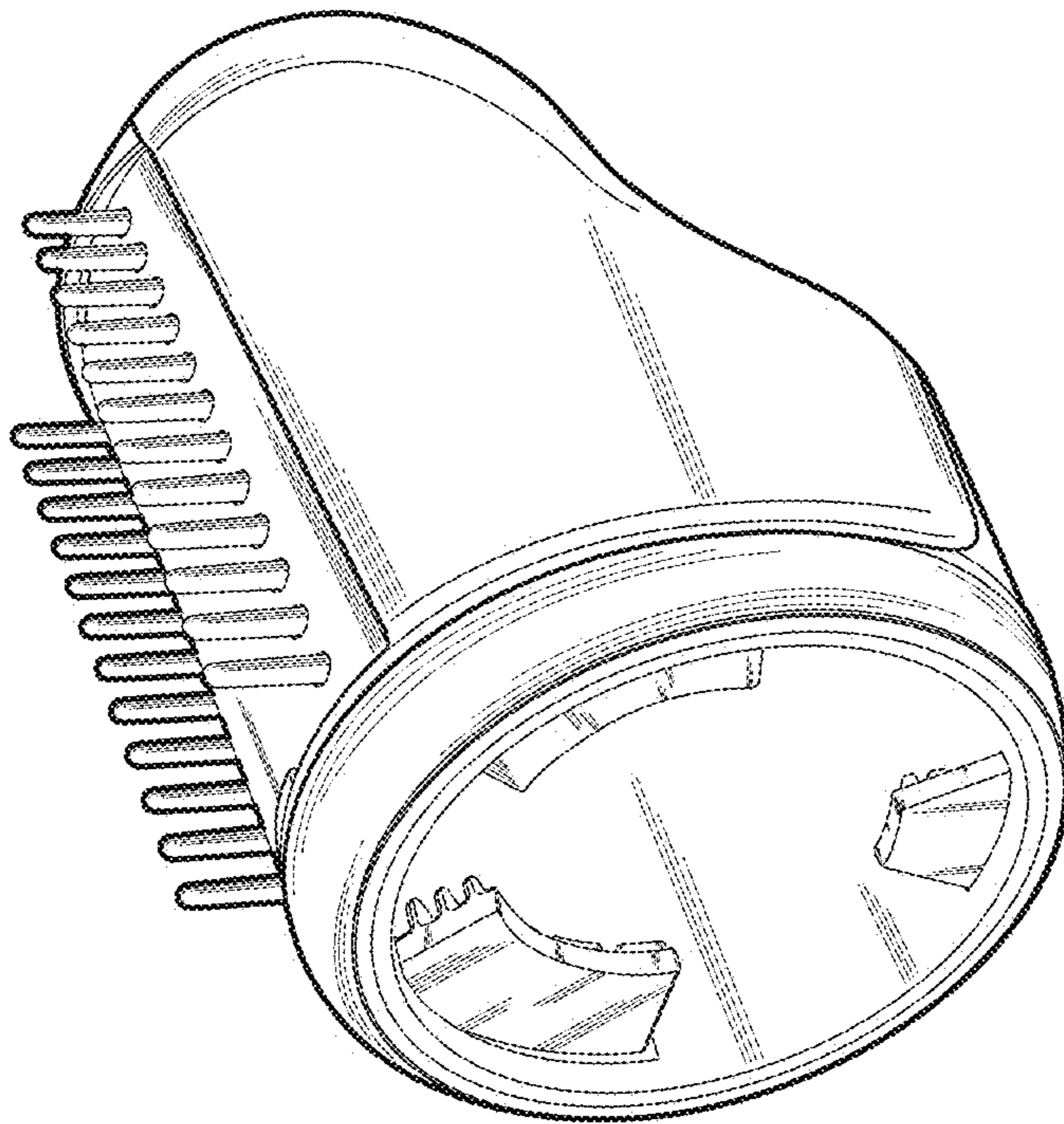


FIG. 1



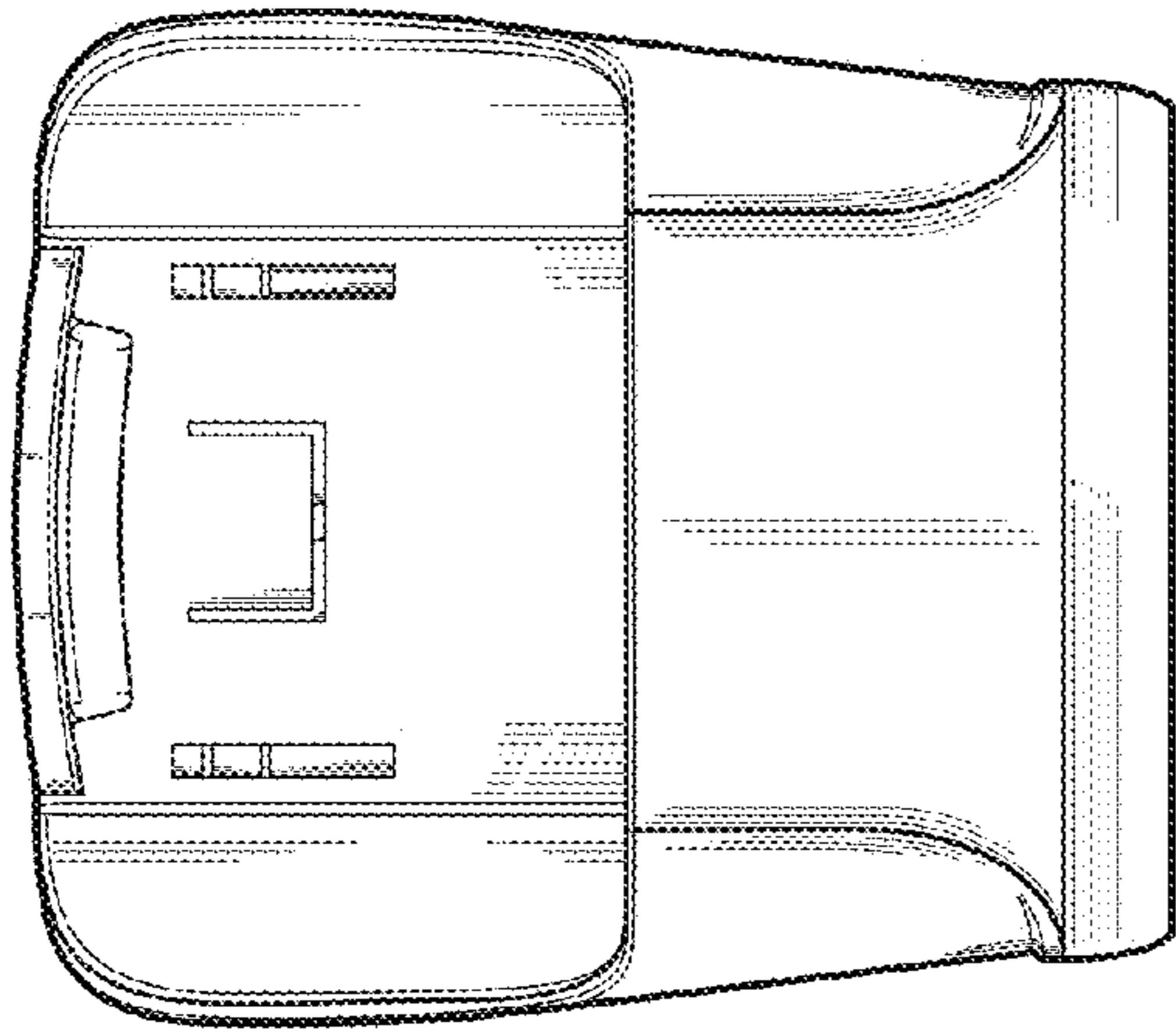


FIG. 5

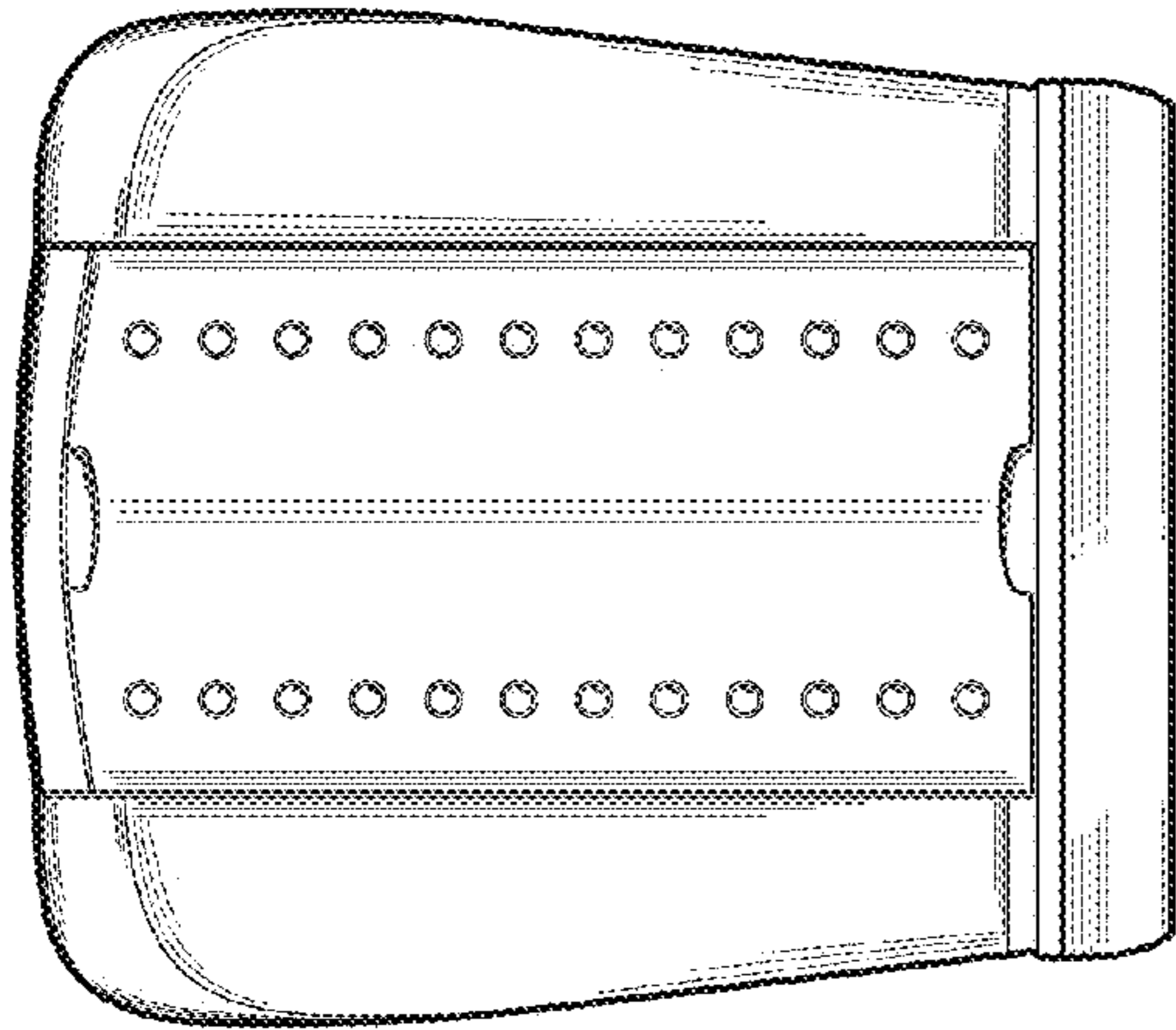


FIG. 4

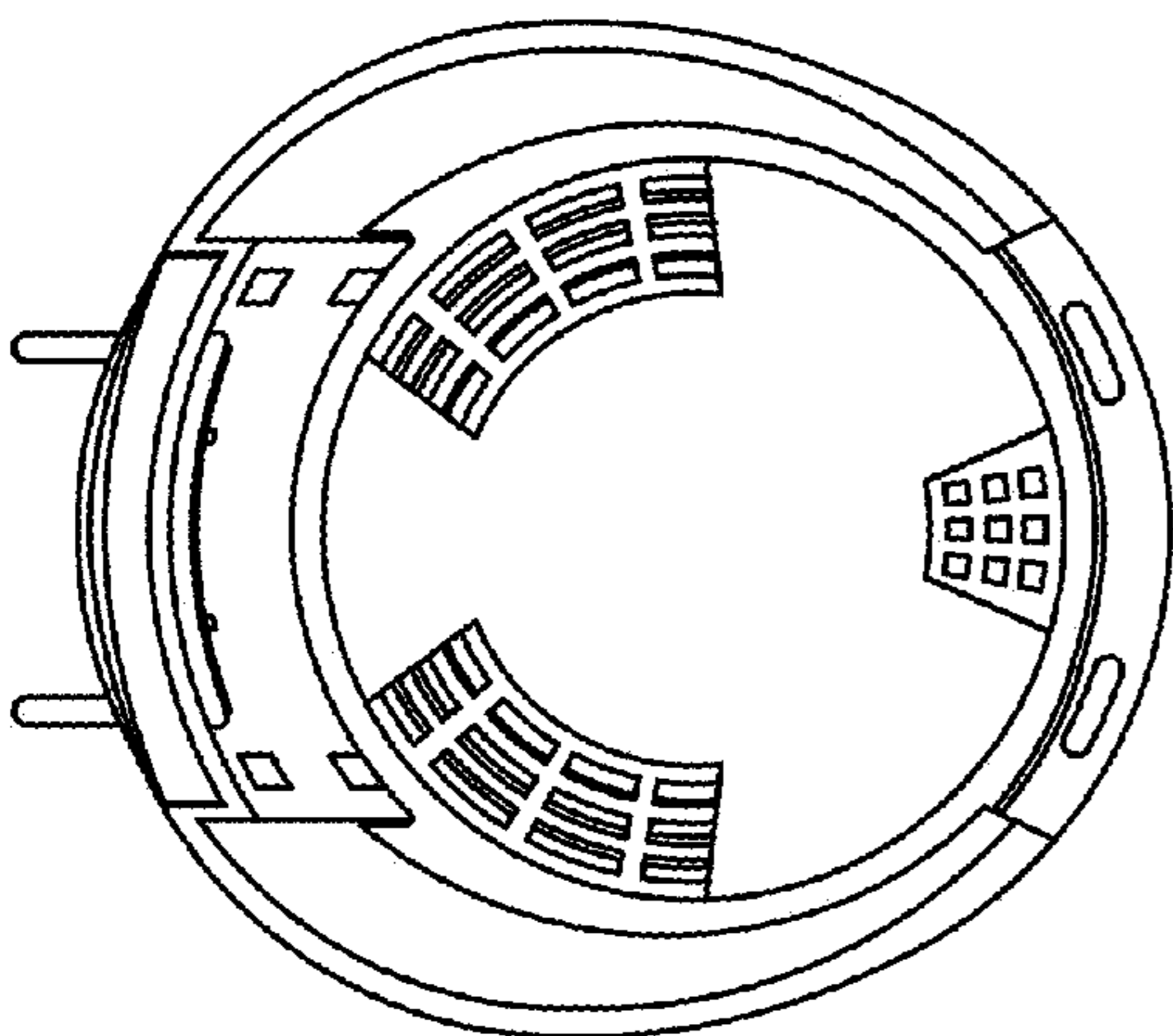


FIG. 3

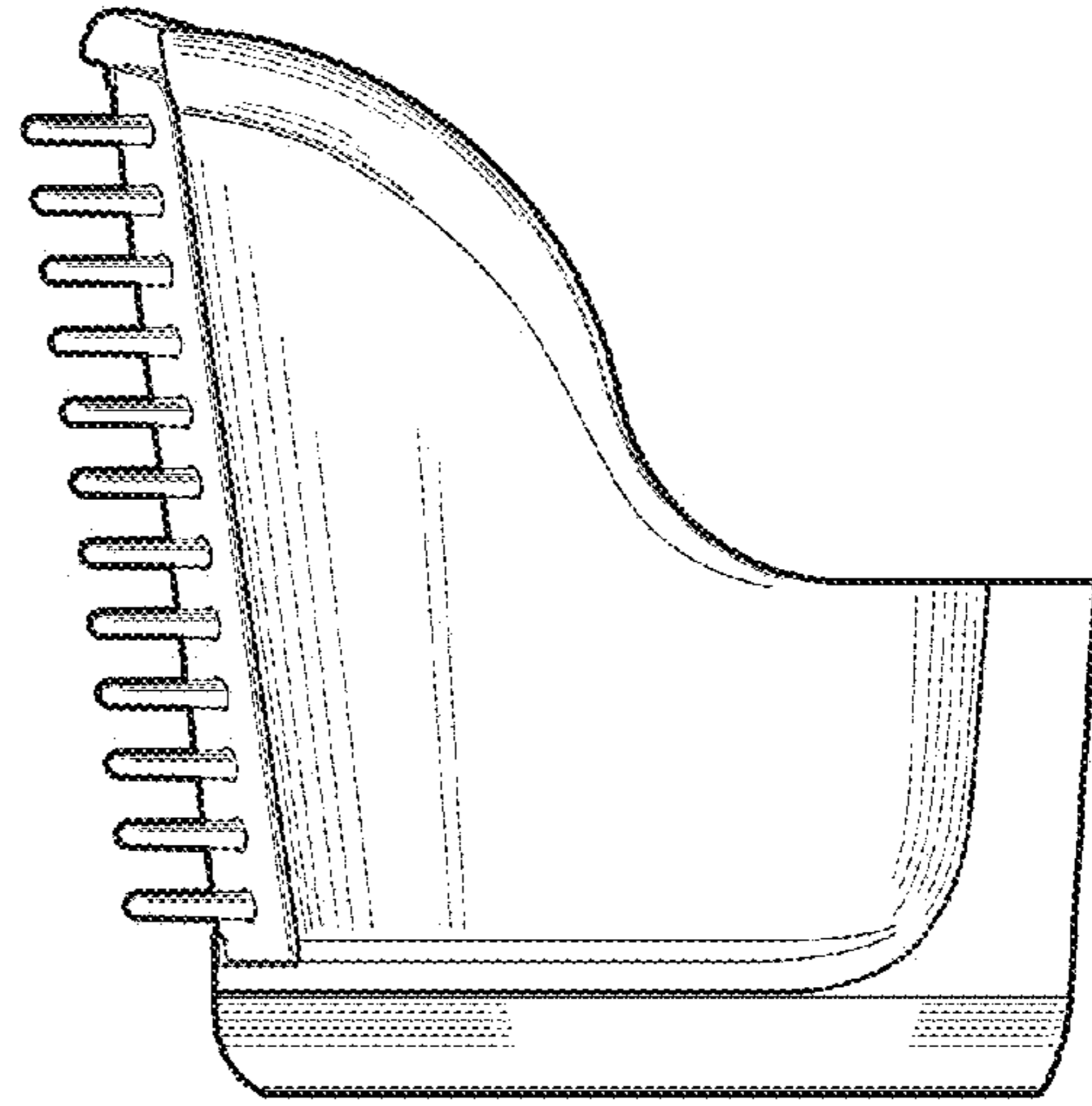


FIG. 8

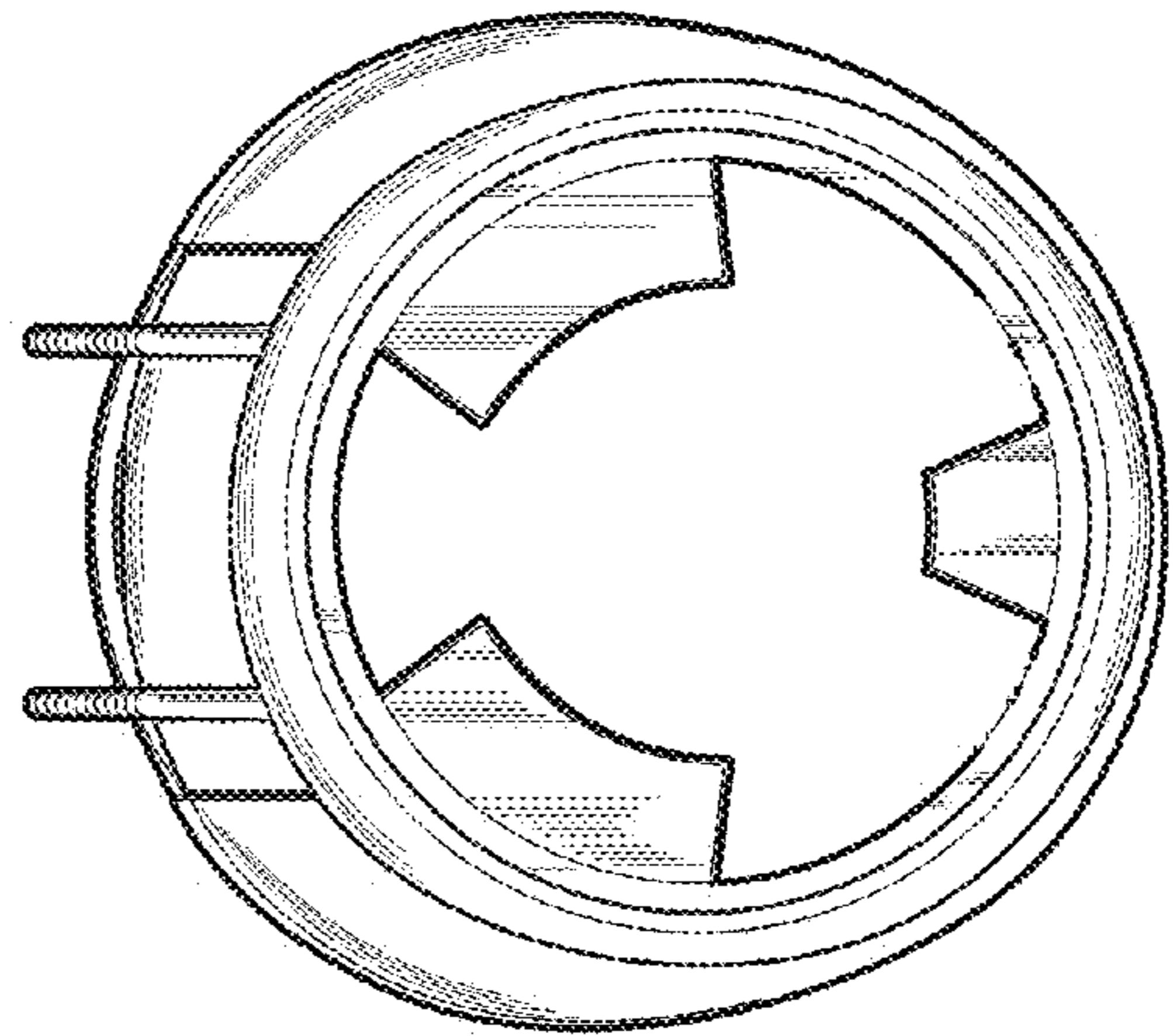


FIG. 7

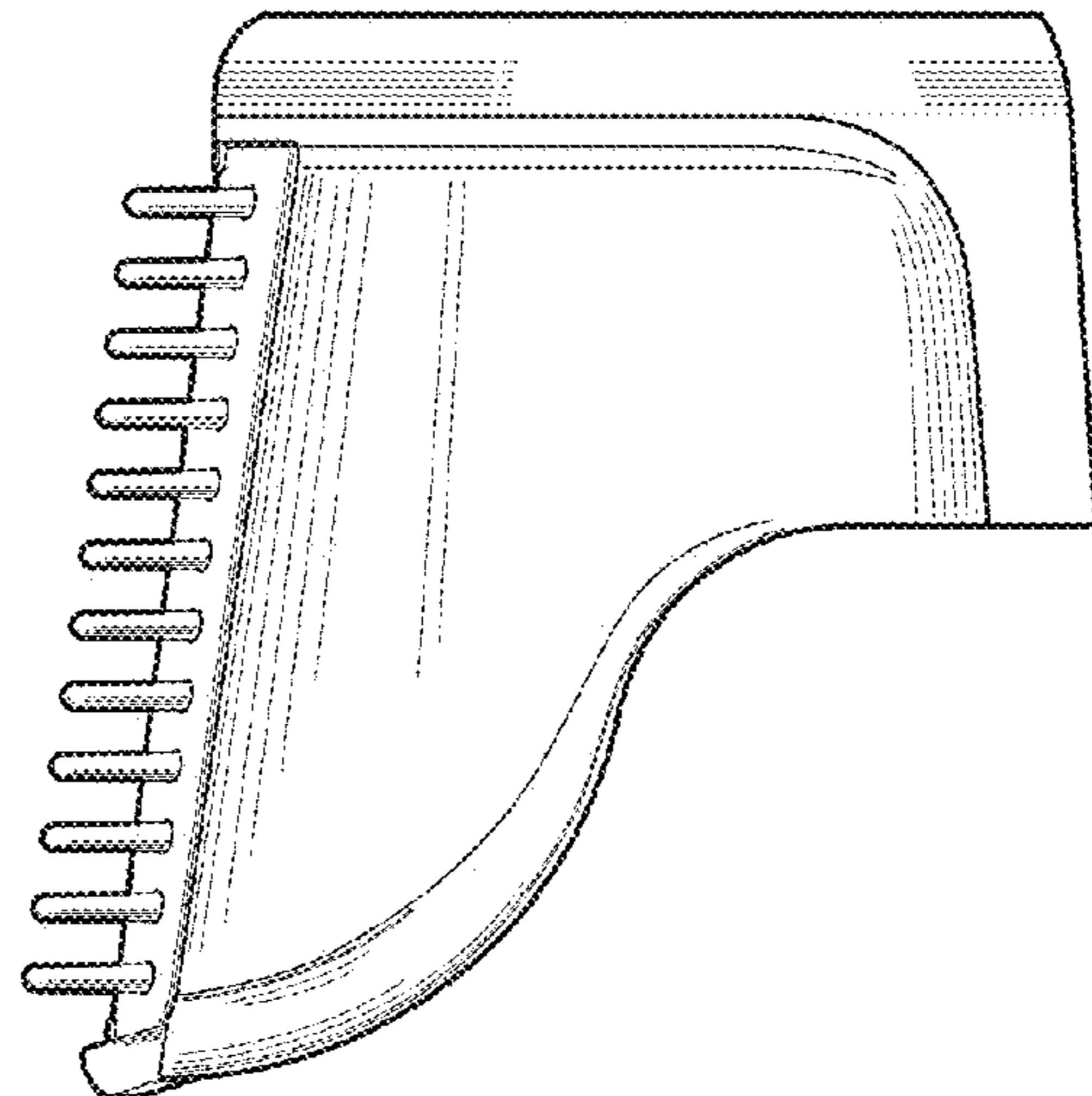


FIG. 6