



US00D925826S

(12) **United States Design Patent** (10) **Patent No.:** **US D925,826 S**
Grienay et al. (45) **Date of Patent:** **** Jul. 20, 2021**

(54) **HAIR DRYER**

D884,965 S * 5/2020 Liu D28/13
D893,097 S * 8/2020 Huang D28/13
D899,684 S * 10/2020 Chen D28/13
D901,766 S * 11/2020 Huang D28/13

(71) Applicant: **CALOR**, Ecully (FR)

(72) Inventors: **Arnaud Grienay**, Ecully (FR);
Alexandre Bernelin, Vernouillet (FR)

* cited by examiner

(73) Assignee: **CALOR**, Ecully (FR)

Primary Examiner — Zenia I Bennett

(**) Term: **15 Years**

(74) *Attorney, Agent, or Firm* — Loeb & Loeb LLP

(21) Appl. No.: **29/728,526**

(57) **CLAIM**

(22) Filed: **Mar. 19, 2020**

The ornamental design for a hair dryer, as shown and described.

(30) **Foreign Application Priority Data**

Sep. 24, 2019 (EM) 006897427-0001

(51) **LOC (13) Cl.** **28-03**

DESCRIPTION

(52) **U.S. Cl.**
USPC **D28/13**

(58) **Field of Classification Search**
USPC D28/12-19; D8/29.1
CPC A45D 20/00; A45D 20/08; A45D 20/10;
A45D 20/12; A45D 20/122; A45D
20/124; A45D 2020/128
See application file for complete search history.

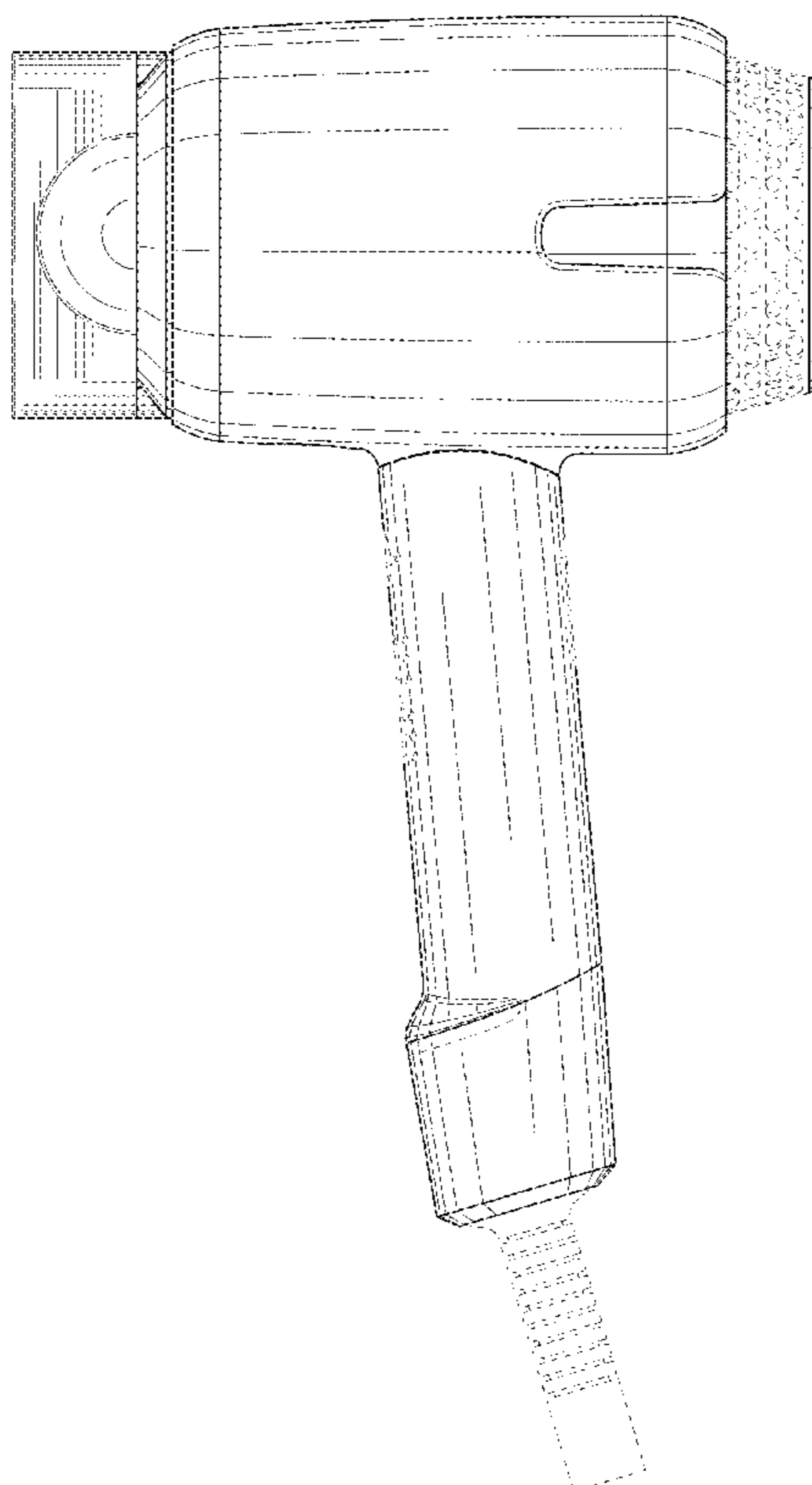
FIG. 1 is a perspective view of a hair dryer showing my new design;
FIG. 2 is a front elevational view thereof;
FIG. 3 is a rear elevational view thereof;
FIG. 4 is a right side elevational view thereof;
FIG. 5 is a left side elevational view thereof;
FIG. 6 is a bottom view thereof; and,
FIG. 7 is a top view thereof.
The broken lines appearing in the figures are for the purpose of illustrating portions of the hair dryer that form no part of the claimed design.

(56) **References Cited**

U.S. PATENT DOCUMENTS

D859,738 S * 9/2019 Huang D28/13
D861,246 S * 9/2019 Hsu D28/13

1 Claim, 7 Drawing Sheets



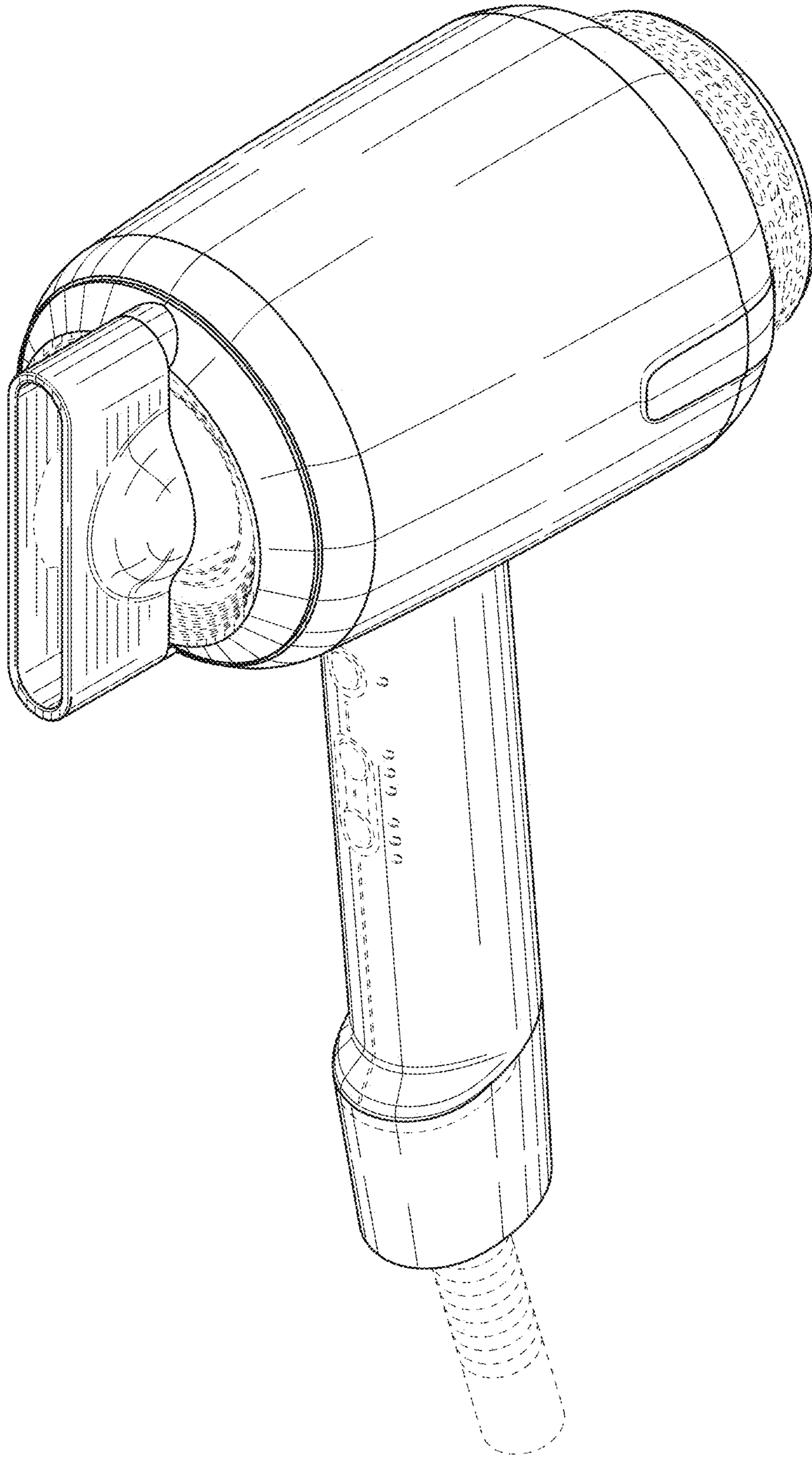


FIG. 1

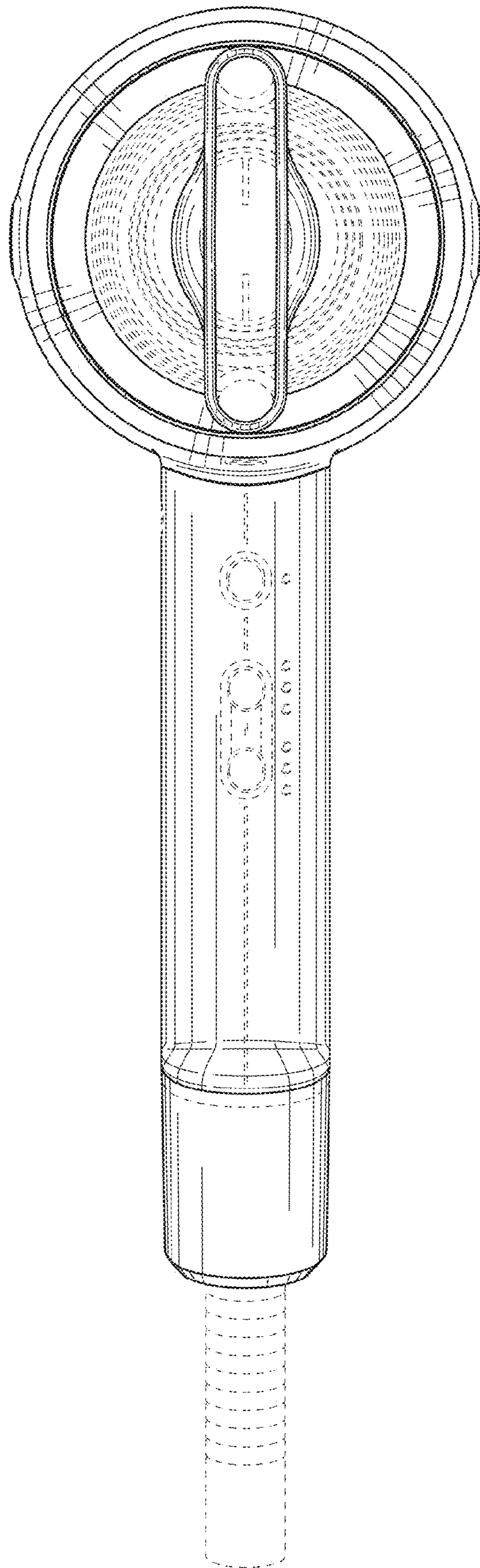


FIG. 2

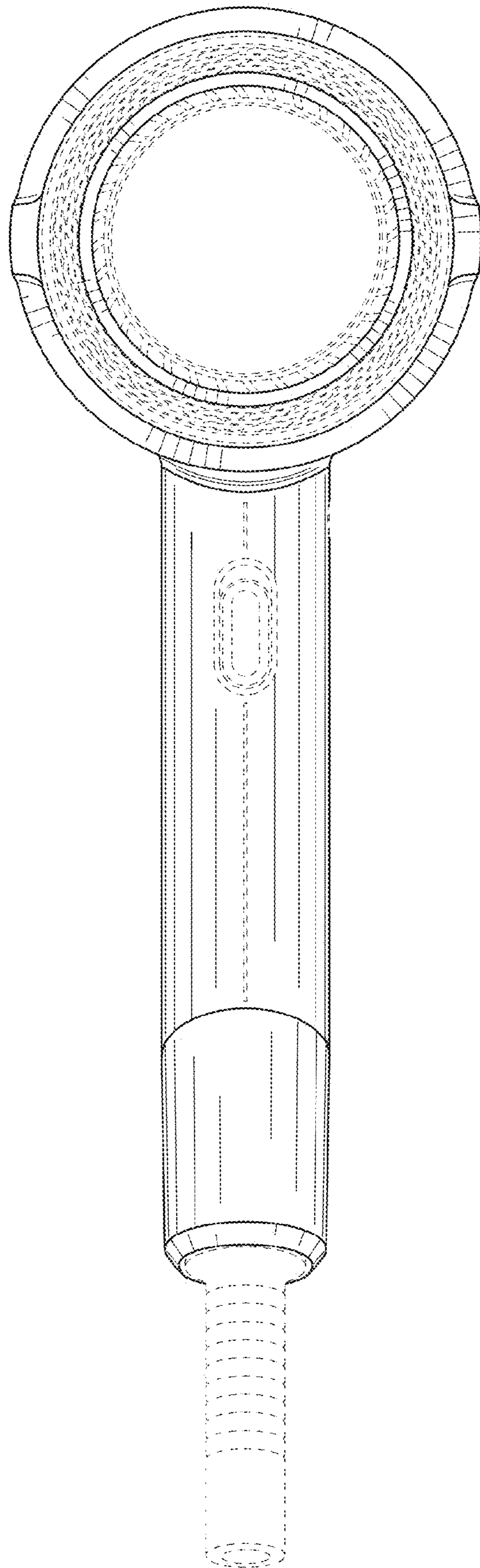


FIG. 3

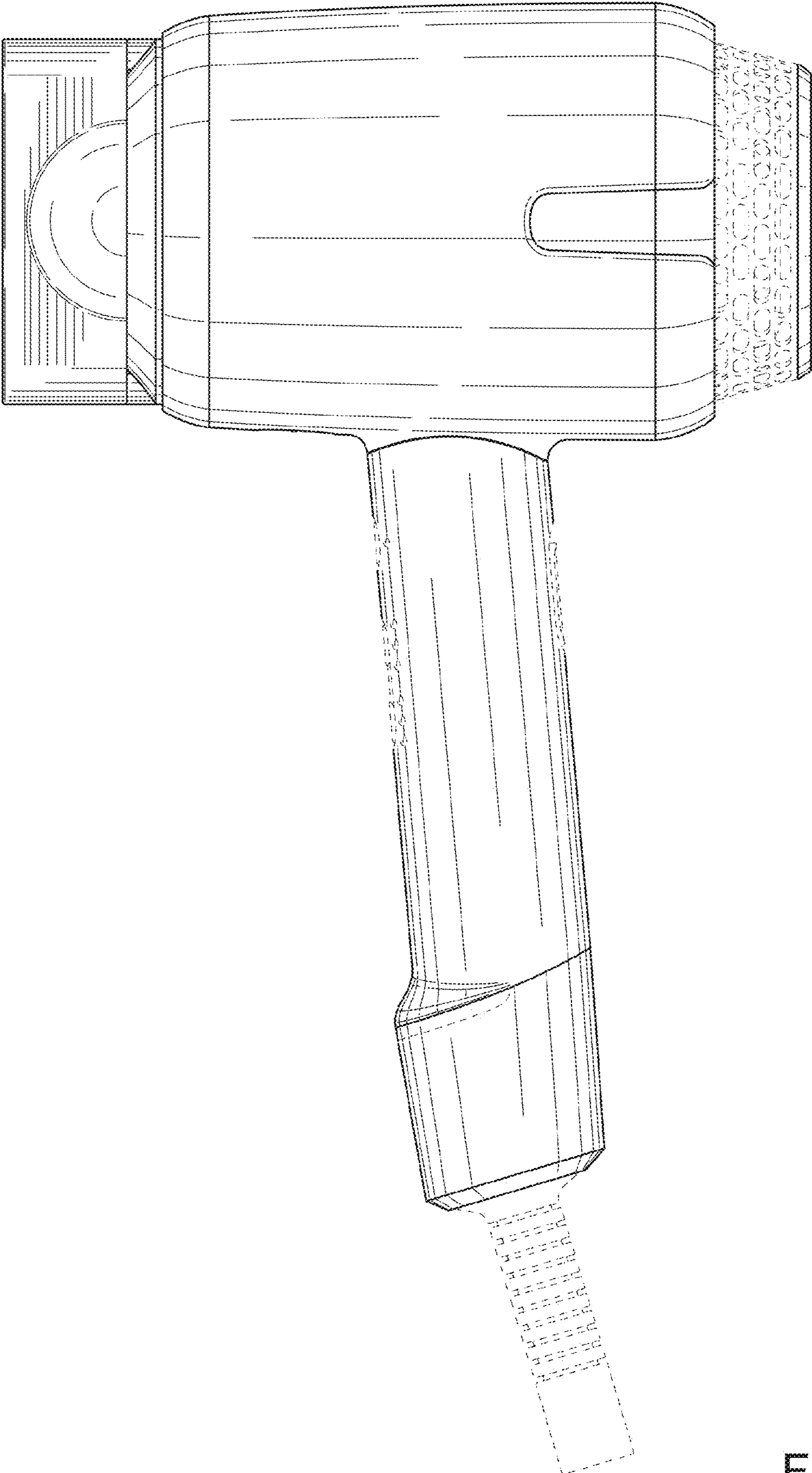


FIG. 4

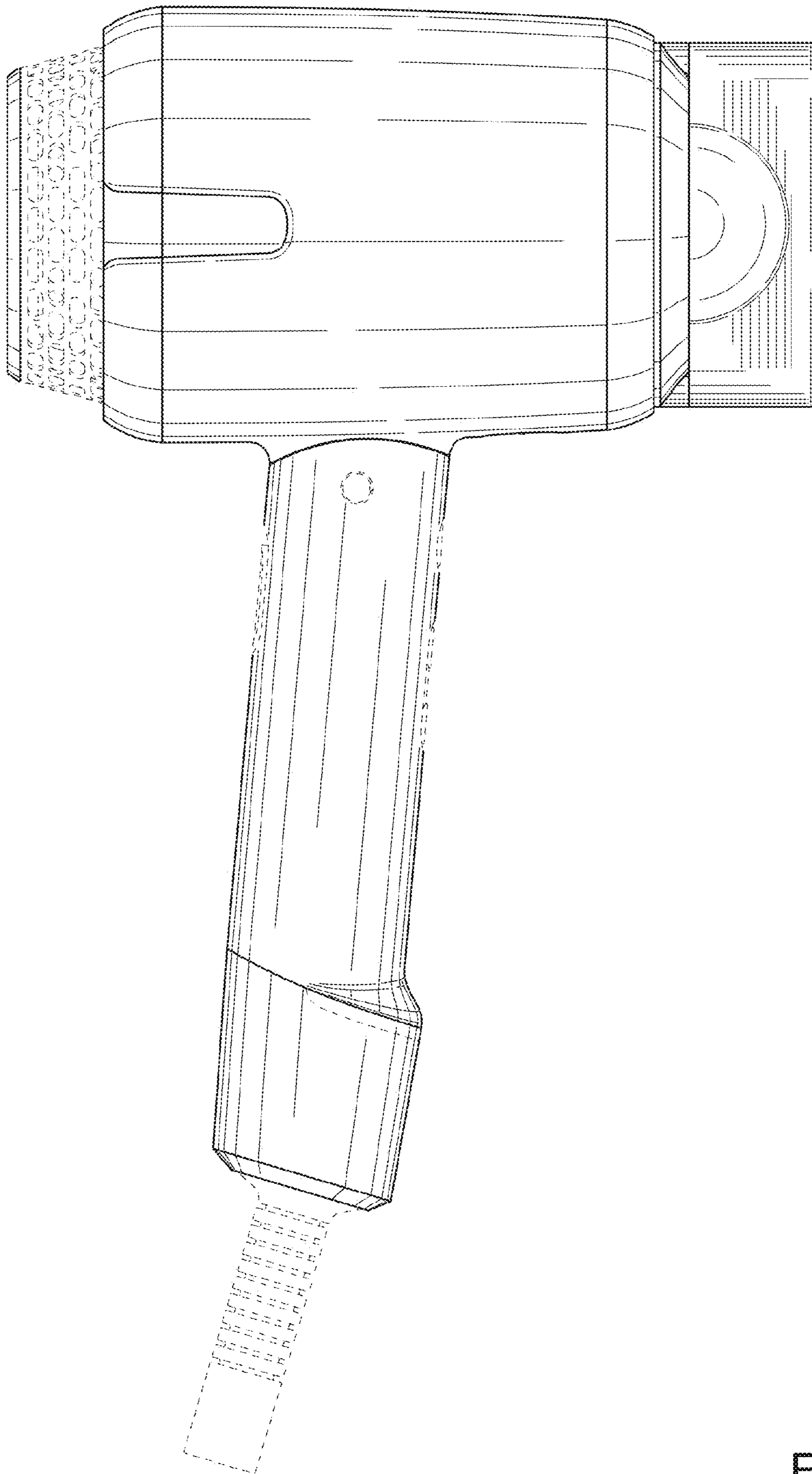


FIG. 5

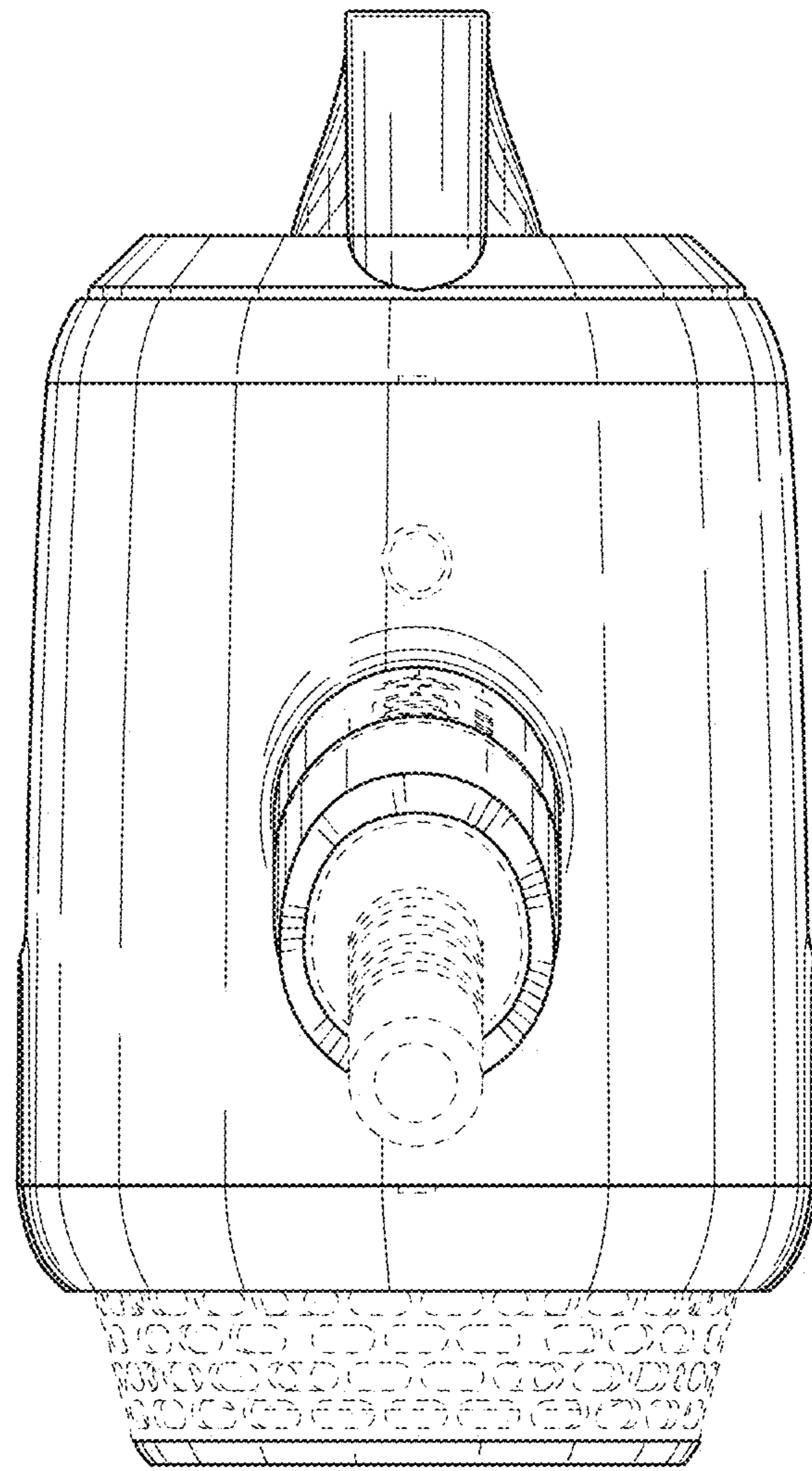


FIG. 6

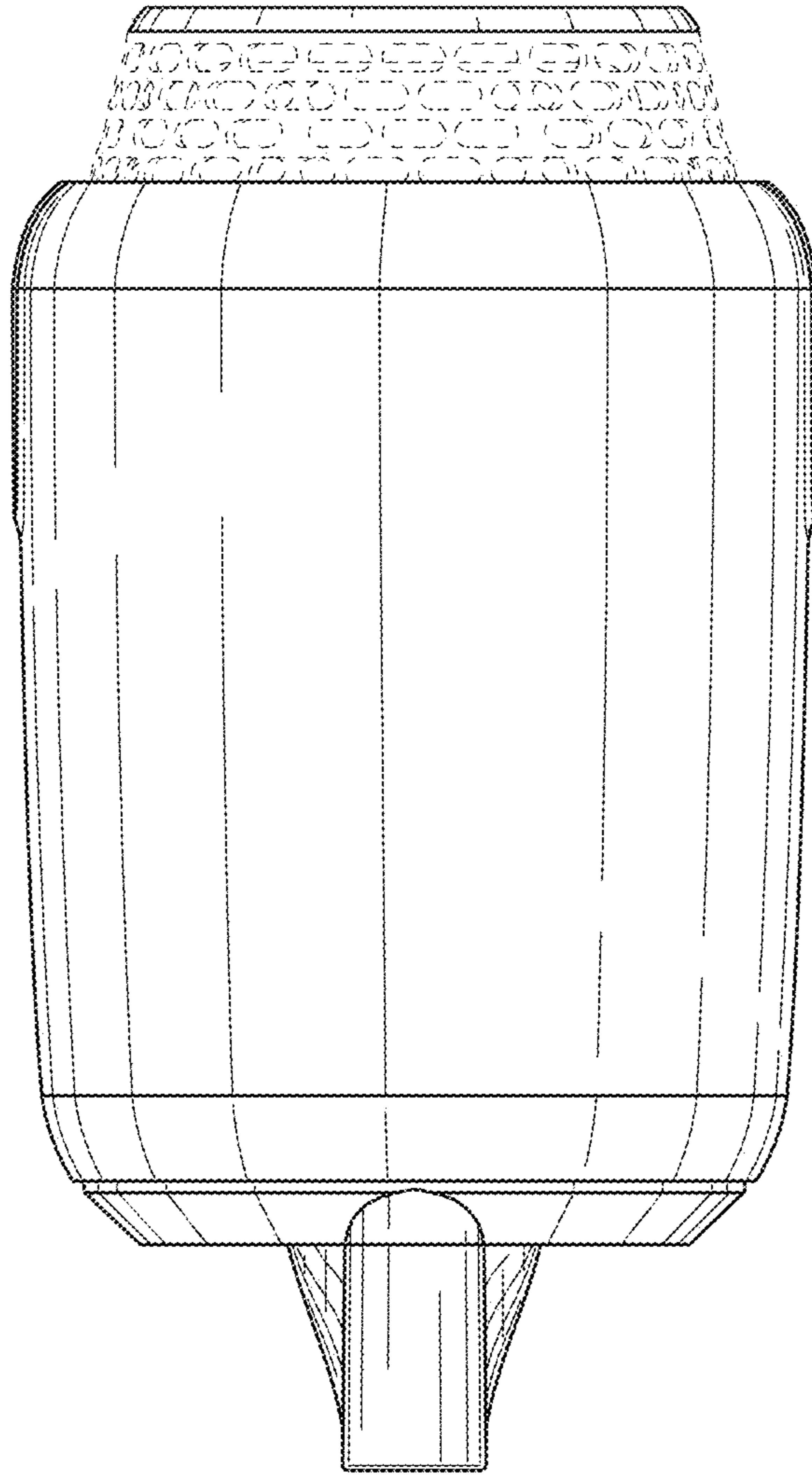


FIG. 7