



US00D925825S

(12) **United States Design Patent**
Lo

(10) **Patent No.:** **US D925,825 S**

(45) **Date of Patent:** **** Jul. 20, 2021**

(54) **HAIR DRYER**

(71) Applicant: **Airgle Corporation**, Holbrook, NY (US)

(72) Inventor: **Yang Zhen Lo**, Flushing, NY (US)

(73) Assignee: **AIRGLE CORPORATION**, Holbrook, NY (US)

(**) Term: **15 Years**

(21) Appl. No.: **29/723,932**

(22) Filed: **Feb. 12, 2020**

(51) **LOC (13) Cl.** **28-03**

(52) **U.S. Cl.**
USPC **D28/13**

(58) **Field of Classification Search**
USPC D28/12-19; D8/29.1
CPC A45D 20/00; A45D 20/08; A45D 20/10;
A45D 20/12; A45D 20/122; A45D
20/124; A45D 2020/128
See application file for complete search history.

(56) **References Cited**

U.S. PATENT DOCUMENTS

D262,062 S * 11/1981 Nagelkerke D28/13
D265,767 S * 8/1982 Stewart D28/13

D350,413 S * 9/1994 Feil D28/13
D791,407 S * 7/2017 Smith D28/13
D850,717 S * 6/2019 Huang D28/13
D893,097 S * 8/2020 Huang D28/13

* cited by examiner

Primary Examiner — Zenia I Bennett

(74) *Attorney, Agent, or Firm* — Georgiy L. Khayet

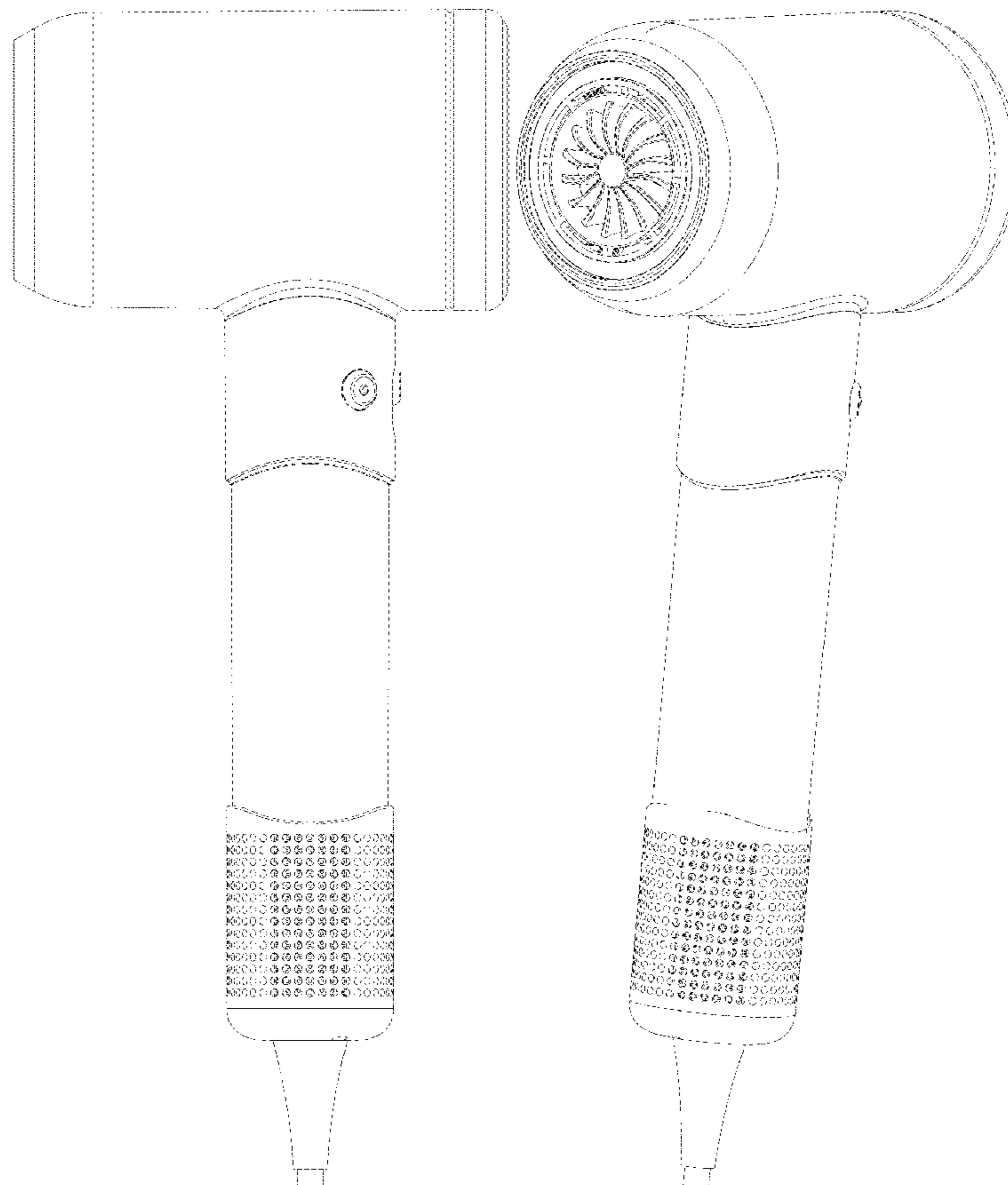
(57) **CLAIM**

The ornamental design for a hair dryer, as shown and described.

DESCRIPTION

FIG. 1 is a front view of the hair dryer;
FIG. 2 is a rear view of the hair dryer;
FIG. 3 is a left-side view of the hair dryer;
FIG. 4 is a right-side of the hair dryer;
FIG. 5 is a rear perspective view of the hair dryer;
FIG. 6 is a front perspective view of the hair dryer;
FIG. 7 is a bottom view of the hair dryer; and,
FIG. 8 is a top view of the hair dryer.

1 Claim, 8 Drawing Sheets



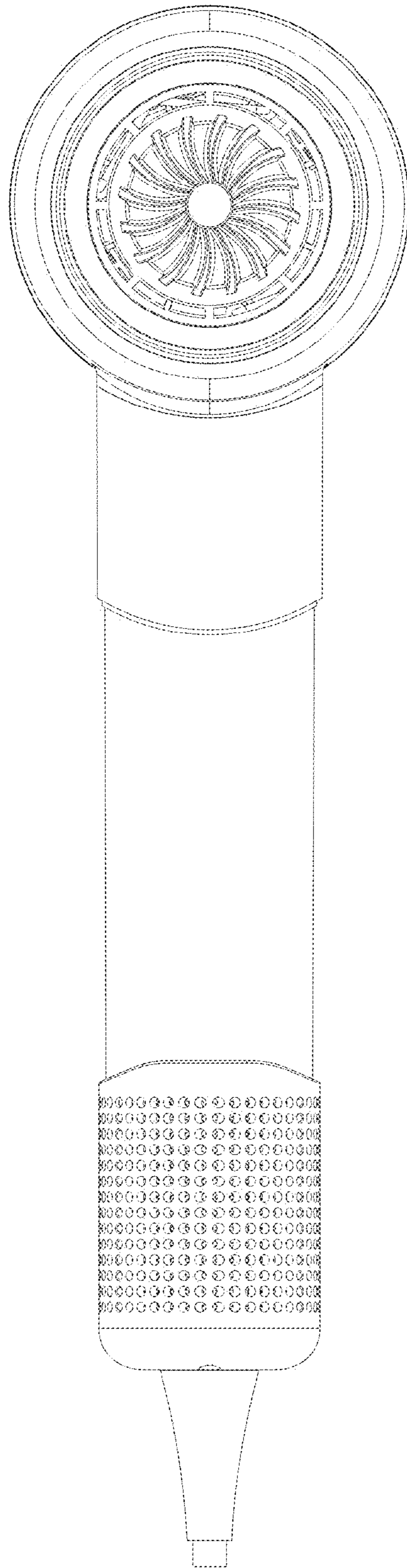


FIG. 1

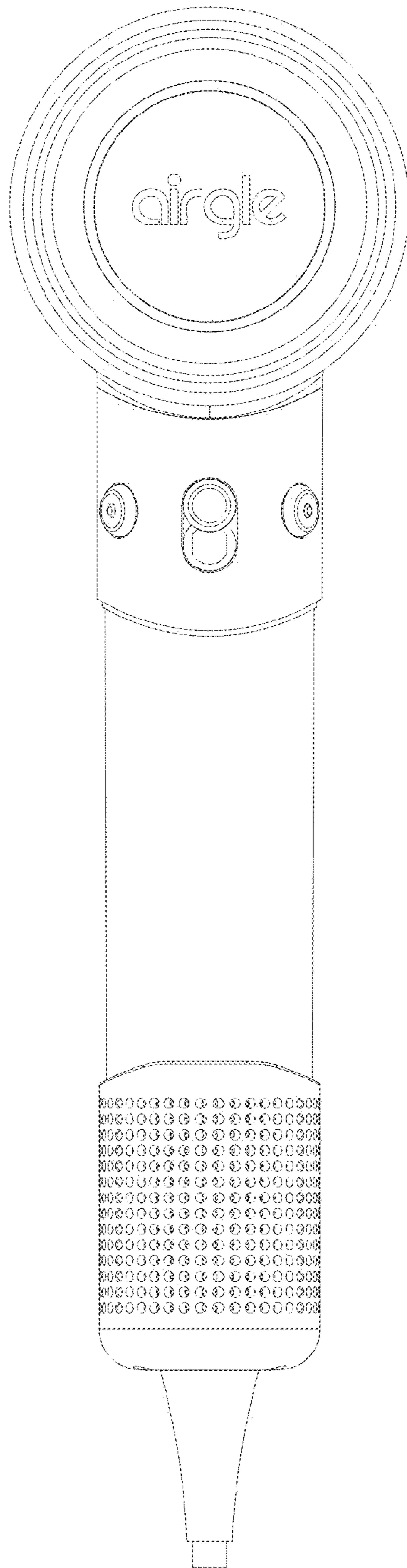


FIG. 2

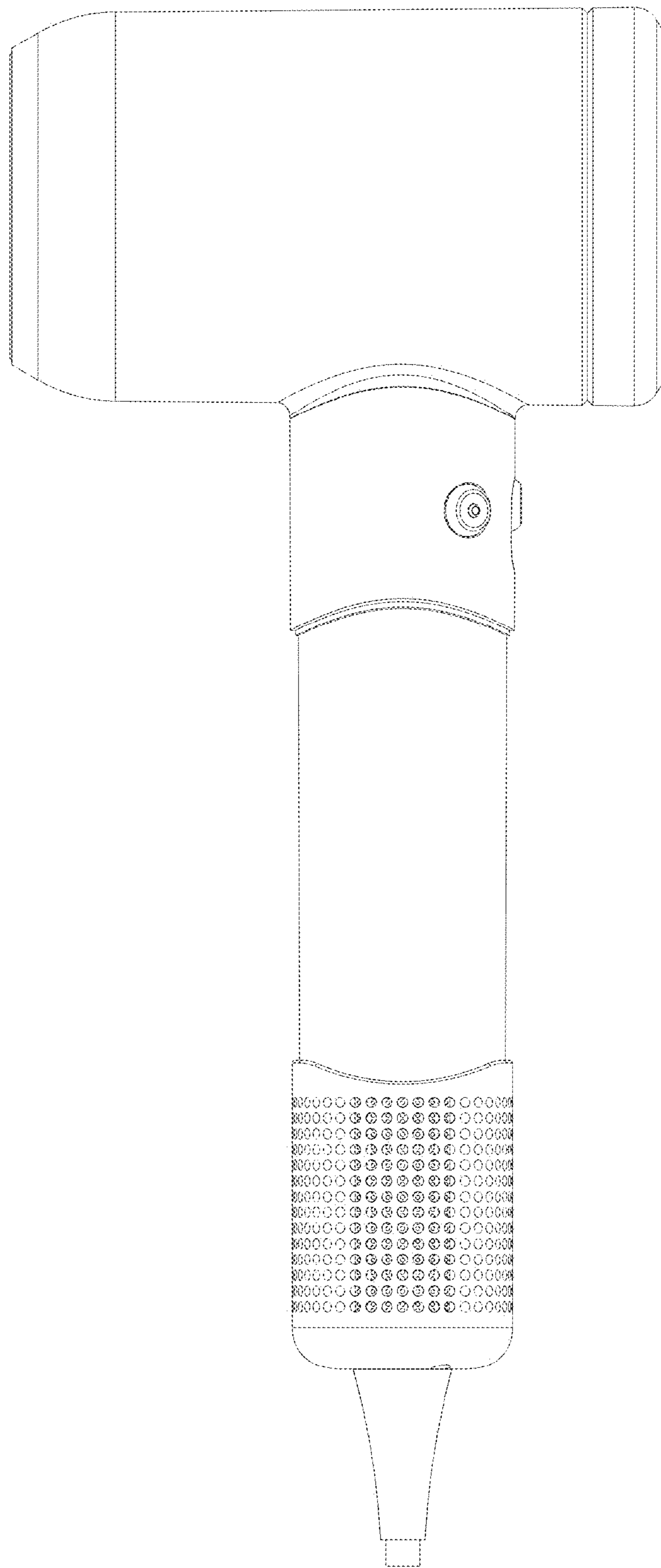


FIG. 3

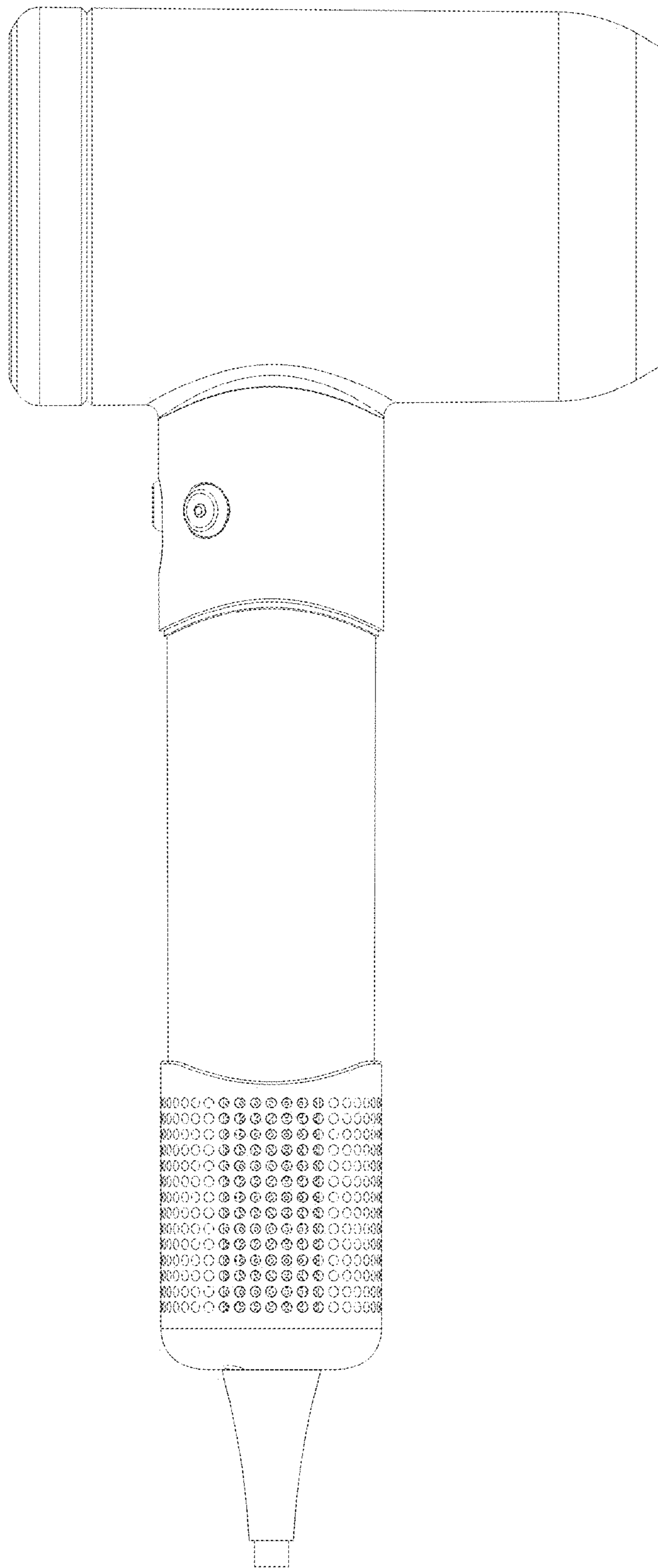


FIG. 4

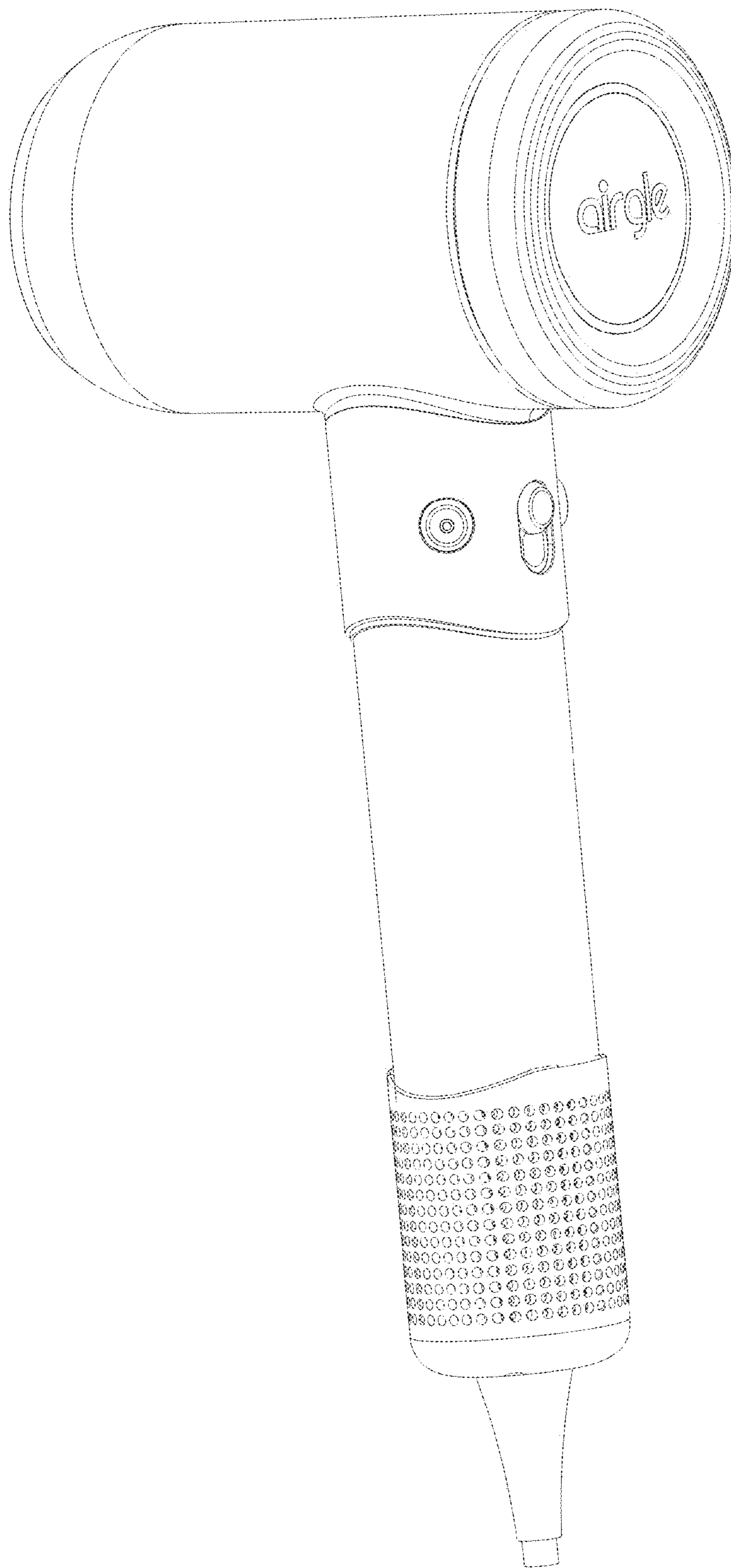


FIG. 5

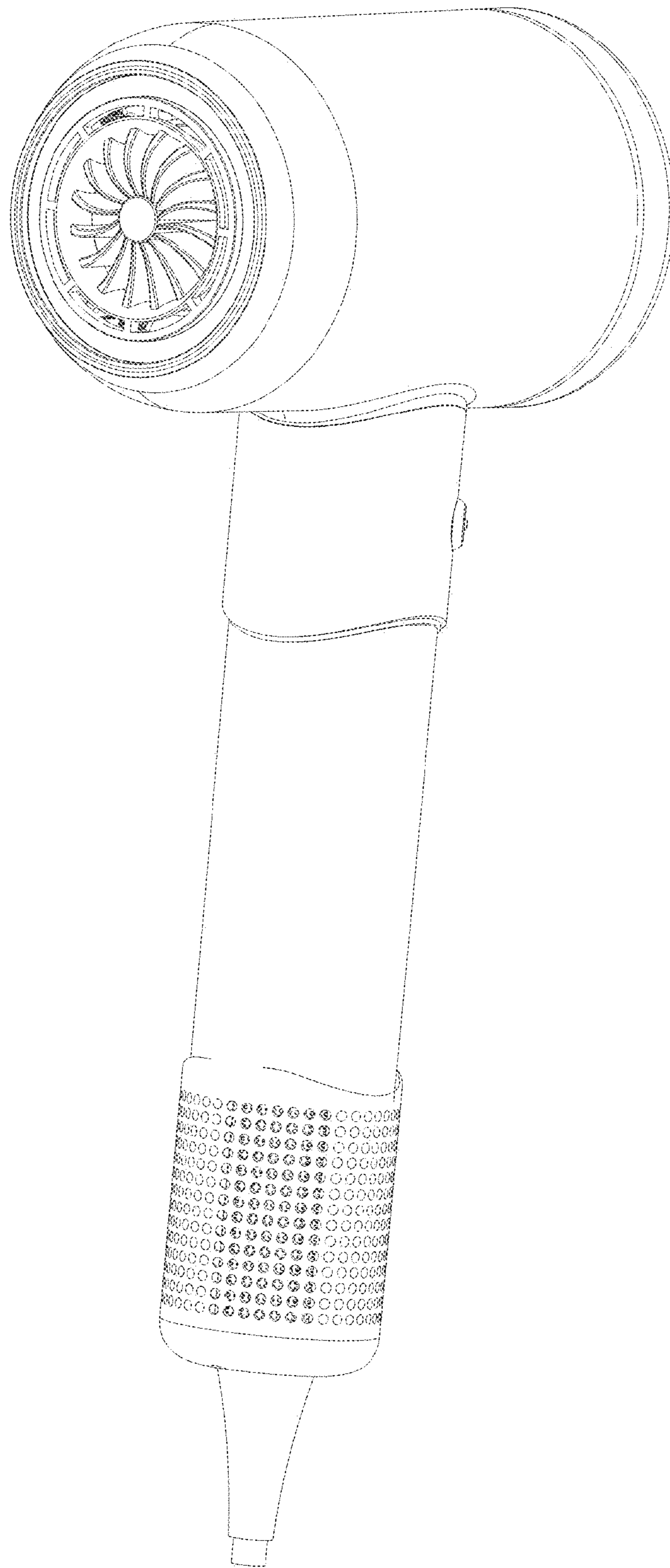


FIG. 6

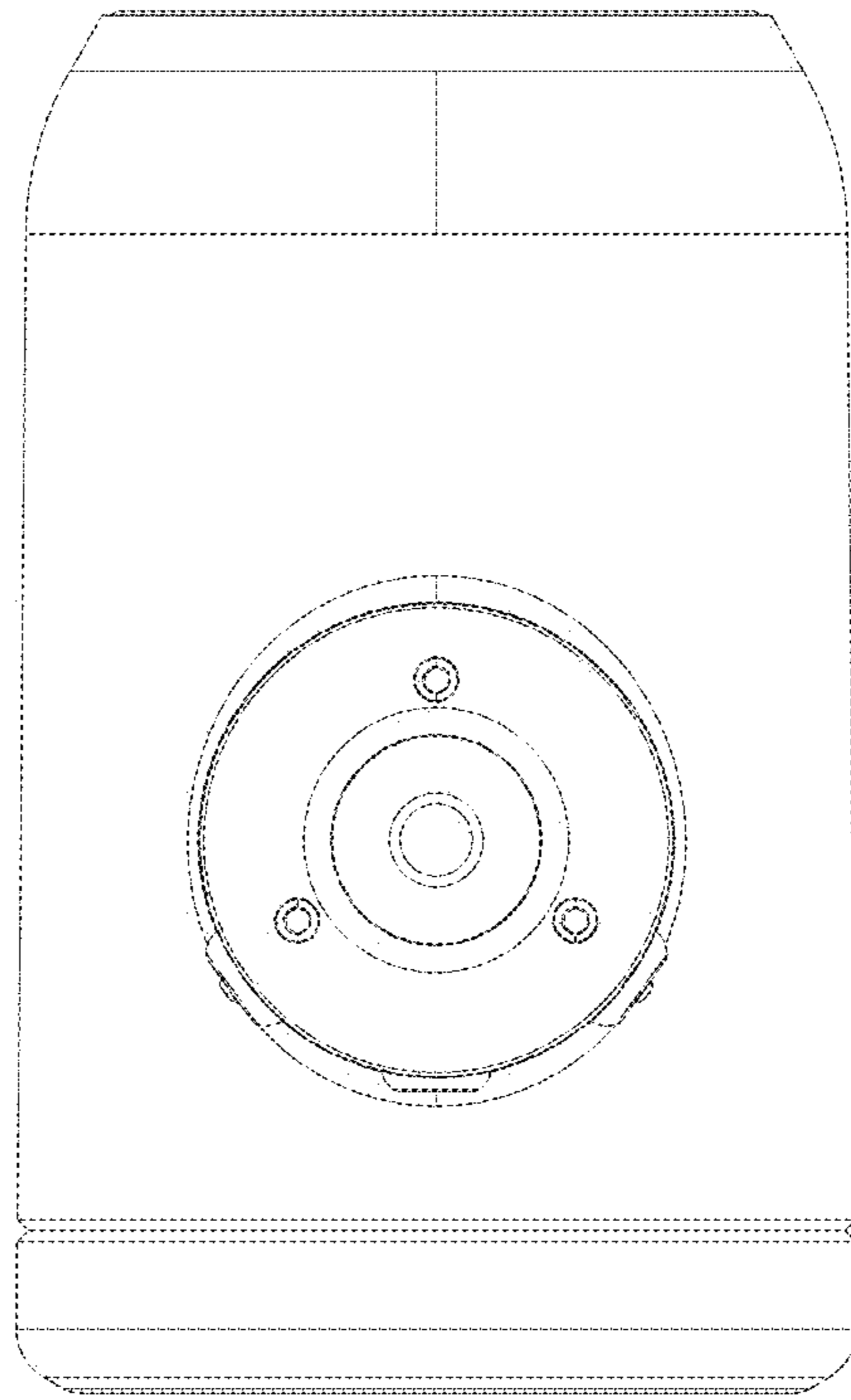


FIG. 7

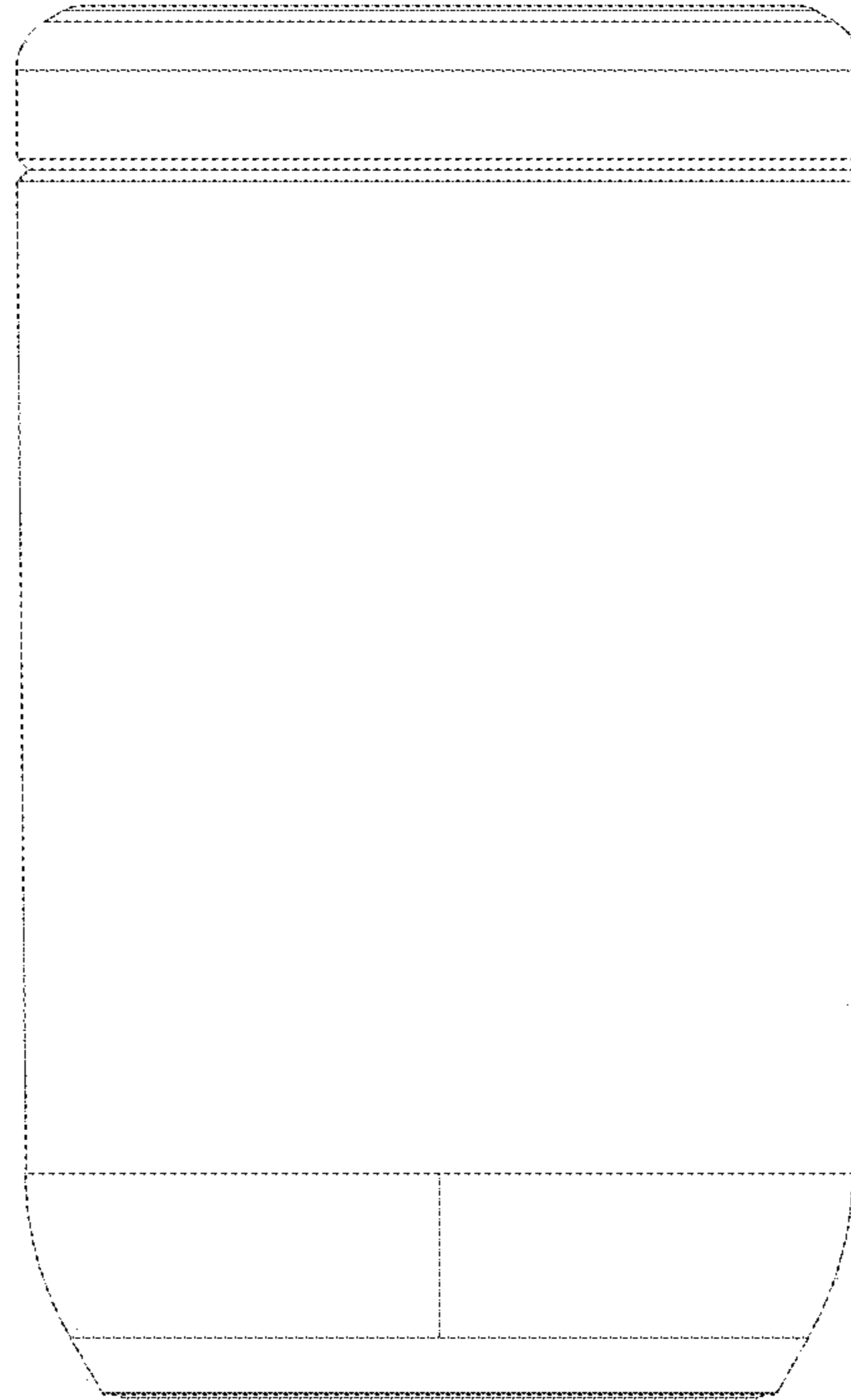


FIG. 8