



US00D925822S

(12) **United States Design Patent** (10) **Patent No.:** **US D925,822 S**
Lin (45) **Date of Patent:** **** Jul. 20, 2021**

(54) **HOPPER ADAPTER**

(71) Applicant: **REPUBLIC TOBACCO L.P.**,
Glenview, IL (US)

(72) Inventor: **Mei Lin**, Northbrook, IL (US)

(73) Assignee: **REPUBLIC TOBACCO L.P.**,
Glenview, IL (US)

(**) Term: **15 Years**

(21) Appl. No.: **29/703,836**

(22) Filed: **Aug. 29, 2019**

(51) **LOC (13) Cl.** **27-06**

(52) **U.S. Cl.**
USPC **D27/183**

(58) **Field of Classification Search**
USPC D27/102, 136, 137, 163, 167, 172, 173,
D27/174, 175, 176, 177, 178, 179, 180,
(Continued)

(56) **References Cited**

U.S. PATENT DOCUMENTS

D89,883 S * 5/1933 Fried D27/172
D140,246 S * 2/1945 Weymss A24F 1/30
D27/172

(Continued)

FOREIGN PATENT DOCUMENTS

CA 178174 * 3/2019
CN 201830761366 * 7/2019

OTHER PUBLICATIONS

Bundled Ergo 3D Tobacco Hopper, first available Mar. 1, 2018,
ebay.com, [online] [site visited Sep. 29, 2020], Available from
internet URL:<https://www.amazon.com/Tobacco-Powermatic-Cigarette-Rolling-Machine/dp/B07D8PB8X7> (Year: 2018).*

(Continued)

Primary Examiner — Lakiya G Rogers

Assistant Examiner — William B Melliar

(74) *Attorney, Agent, or Firm* — Michael Best &
Friedrich LLP

(57) **CLAIM**

The ornamental design for a hopper adapter, as shown and
described.

DESCRIPTION

FIG. 1 is a front perspective view of a hopper of the hopper
adapter according to a first embodiment of the present
invention;

FIG. 2 is a rear perspective view of the hopper of FIG. 1;
FIG. 3 is a left side elevation view of the hopper of FIG. 1;
FIG. 4 is a right side elevation view of the hopper of FIG.
1;

FIG. 5 is a front elevation view of the hopper of FIG. 1;
FIG. 6 is a rear elevation view of the hopper of FIG. 1;
FIG. 7 is a top plan view of the hopper of FIG. 1;
FIG. 8 is a bottom plan view of the hopper of FIG. 1;

FIG. 9 is a front perspective view of an adapter of the hopper
adapter according to a second embodiment of the present
invention;

FIG. 10 is a rear perspective view of the adapter of FIG. 9;
FIG. 11 is a left side elevation view of the adapter of FIG.
9;

FIG. 12 is a right side elevation view of the adapter of FIG.
9;

FIG. 13 is a front elevation view of the adapter of FIG. 9;
FIG. 14 is a rear elevation view of the adapter of FIG. 9;
FIG. 15 is a top plan view of the adapter of FIG. 9;

FIG. 16 is a bottom plan view of the adapter of FIG. 9;
FIG. 17 is a front perspective view of the hopper adapter
according to a third embodiment of the present invention;
FIG. 18 is a rear perspective view of the hopper adapter of
FIG. 17;

FIG. 19 is a left side elevation view of the hopper adapter of
FIG. 17;

FIG. 20 is a right side elevation view of the hopper adapter
of FIG. 17;

FIG. 21 is a front elevation view of the hopper adapter of
FIG. 17;

(Continued)

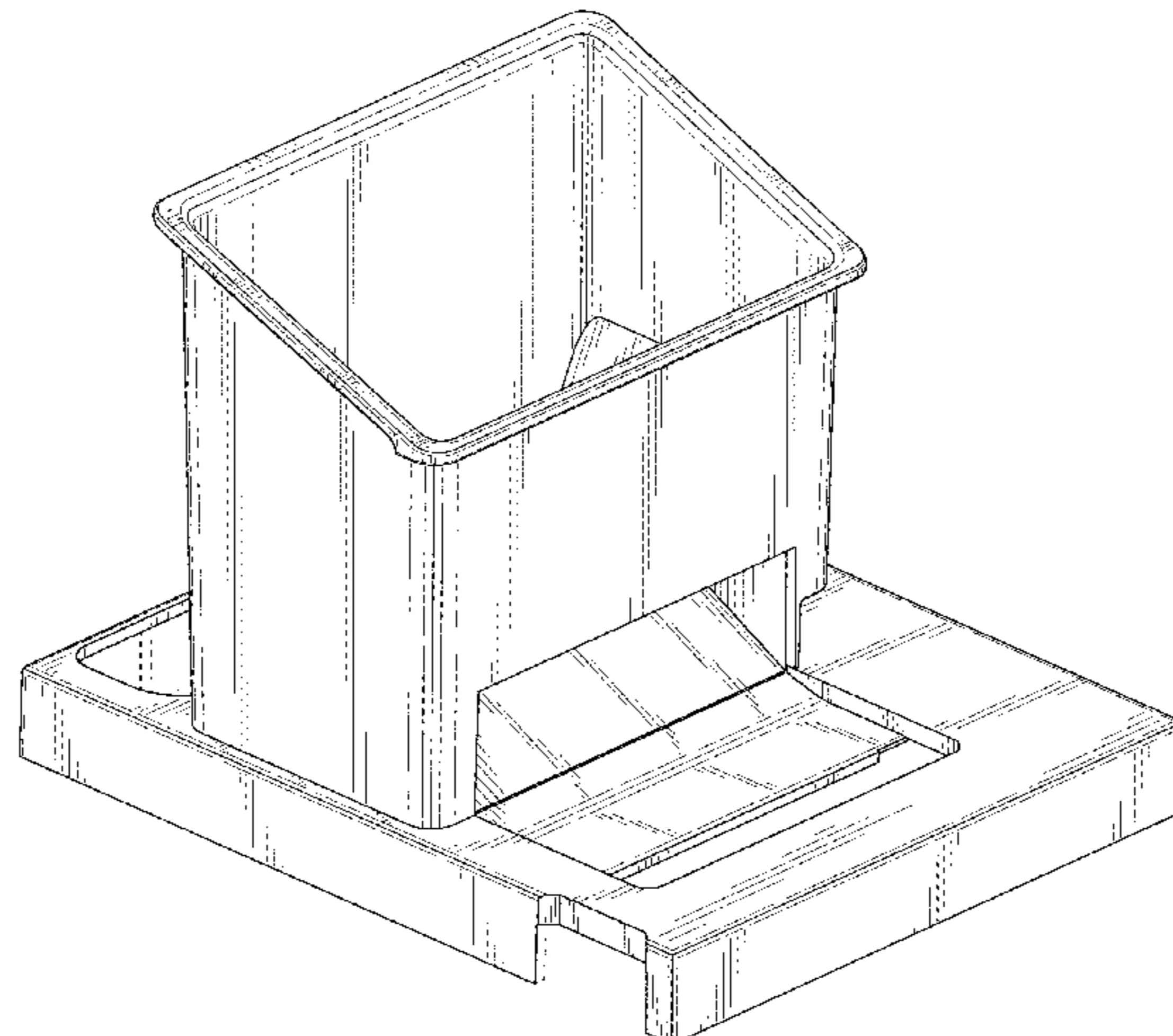


FIG. 22 is a rear elevation view of the hopper adapter of FIG. 17;
 FIG. 23 is a top plan view of the hopper adapter of FIG. 17;
 FIG. 24 is a bottom plan view of the hopper adapter of FIG. 17;
 FIG. 25 is front perspective view of the hopper adapter of FIG. 17 with the hopper exploded from the adapter; and,
 FIG. 26 is a rear perspective view of the hopper adapter of FIG. 17 with the hopper exploded from the adapter.
 The broken lines in the drawings depict portions of the hopper adapter that are not included in the claimed design.

D691,768	S	*	10/2013	Lin	D27/194
D700,398	S	*	2/2014	Lin	D27/194
D702,002	S	*	4/2014	Petrek	D30/121
D710,701	S	*	8/2014	Lai	D9/456
D756,560	S	*	5/2016	Ghiotti	D27/186
D756,561	S	*	5/2016	Ghiotti	D27/186
D756,562	S	*	5/2016	Ghiotti	D27/186
D785,860	S	*	5/2017	Fischer	D27/102
D819,268	S	*	5/2018	Goodman	D28/38
D821,141	S	*	6/2018	Youngmann	D7/412
D840,249	S	*	2/2019	Payne	D9/760
2016/0106145	A1	*	4/2016	Ebeling	A24C 5/397 131/108

1 Claim, 26 Drawing Sheets

(58) **Field of Classification Search**

USPC D27/181, 182, 183, 184, 185, 186, 187,
 D27/188, 189, 190, 191, 192, 193, 194,
 D27/195, 196; D30/121
 CPC A24C 5/325; A24C 5/35; A24C 5/356;
 A24C 5/322; A24C 5/34; A24C 5/352;
 A24C 5/395; A24C 5/397; A24C 5/399;
 A23N 1/02; A23N 1/00; A47J 19/06;
 A47J 19/02; A47J 37/0786; B65B 19/04;
 B65B 19/105; B65B 35/16; B65B 37/02;
 B65B 3/04; B65B 3/18; B65B 43/145
 See application file for complete search history.

(56) **References Cited**

U.S. PATENT DOCUMENTS

2,633,133	A	*	3/1953	Higgins	A24C 5/42 131/74
D172,894	S	*	8/1954	Lehmann	D27/184
D257,066	S	*	9/1980	Lord	D27/194
D258,469	S	*	3/1981	Lee	D19/75
D363,916	S	*	11/1995	Johnson	D12/415
D368,914	S	*	4/1996	Pink	D15/13
D381,459	S	*	7/1997	Harris	D27/102
D397,526	S	*	8/1998	Sheaffer	D30/119
D405,560	S	*	2/1999	Chrisco	D30/121
D457,275	S	*	5/2002	Skurdalsvold	D30/121
D472,465	S	*	4/2003	Nance	D7/590
D544,643	S	*	6/2007	Lin	D27/194
D691,390	S	*	10/2013	Cunningham	D6/556

OTHER PUBLICATIONS

Mega Powermatic 2 . . . , first available Mar. 15, 2016, ebay.com, [online] [site visited Sep. 29, 2020], Available from internet URL:<https://www.ebay.com/itm/MEGA-Powermatic-2-2-Cigarette-Rolling-Machine-Tobacco-Hopper-HOPPER-ONLY/222041964710?hash=item33b2bb80a6:g:Zo1AAOSwyjBW6CIM> (Year: 2016).*

Tobacco Hopper for . . . first available Jul. 23, 2020, ebay.com, [online] [site visited Sep. 29, 2020], Available from internet URL:<https://www.ebay.com/itm/Tobacco-Hopper-for-Top-o-matic-Poweroll-2-ll-Cig-Roller-NO-MACHINE-INCLUDED/274408238789?> (Year: 2020).*

Stucco Sprayer . . . , first available Dec. 1, 2013, ebay.com, [online] [site visited Sep. 29, 2020], Available from internet URL:<https://www.ebay.com/itm/Stucco-sprayer-Mortar-sprayer-Plaster-sprayer-Cement-sprayer-hopper-gun-/280794843411> (Year: 2013).*

DC Innovations, Ergo 3D Tobacco Hopper for Powermatic 2 and 2+ Cigarette Rolling Machine, <<https://www.amazon.com/Tobacco-Powermatic-Cigarette-Rolling-Machine/dp/B07B5QKW9D>>, available online as early as May 23, 2018.

Nackomatic, “Tobacco Hopper for Top-o-Matic Powerroll Cigarette Rolling Machine, Hopper Only”, <<https://www.ebay.com/itm/283563632830>> available online prior to Aug. 29, 2019.

“Combo Powermatic 2+ Cigarette Rolling Machine Tobacco Hopper/handle No Machine”, <<https://www.ebay.com/tm/273950615750>> available online prior to Aug. 29, 2019.

Powermatic 2 & 2+ Cigarette Rolling Machine Tobacco Hopper, Hopper Only, Shorty <<https://www.ebay.com/tm/274018902656?ViewItem=&item=274018902656>> available online prior to Aug. 29, 2019.

“Top-o-matic Cigarette Rolling Machine Tobacco Hopper, Hopper Only, Magnetic”, <<https://www.ebay.com/tm/273779768191>> available online prior to Aug. 29, 2019.

* cited by examiner

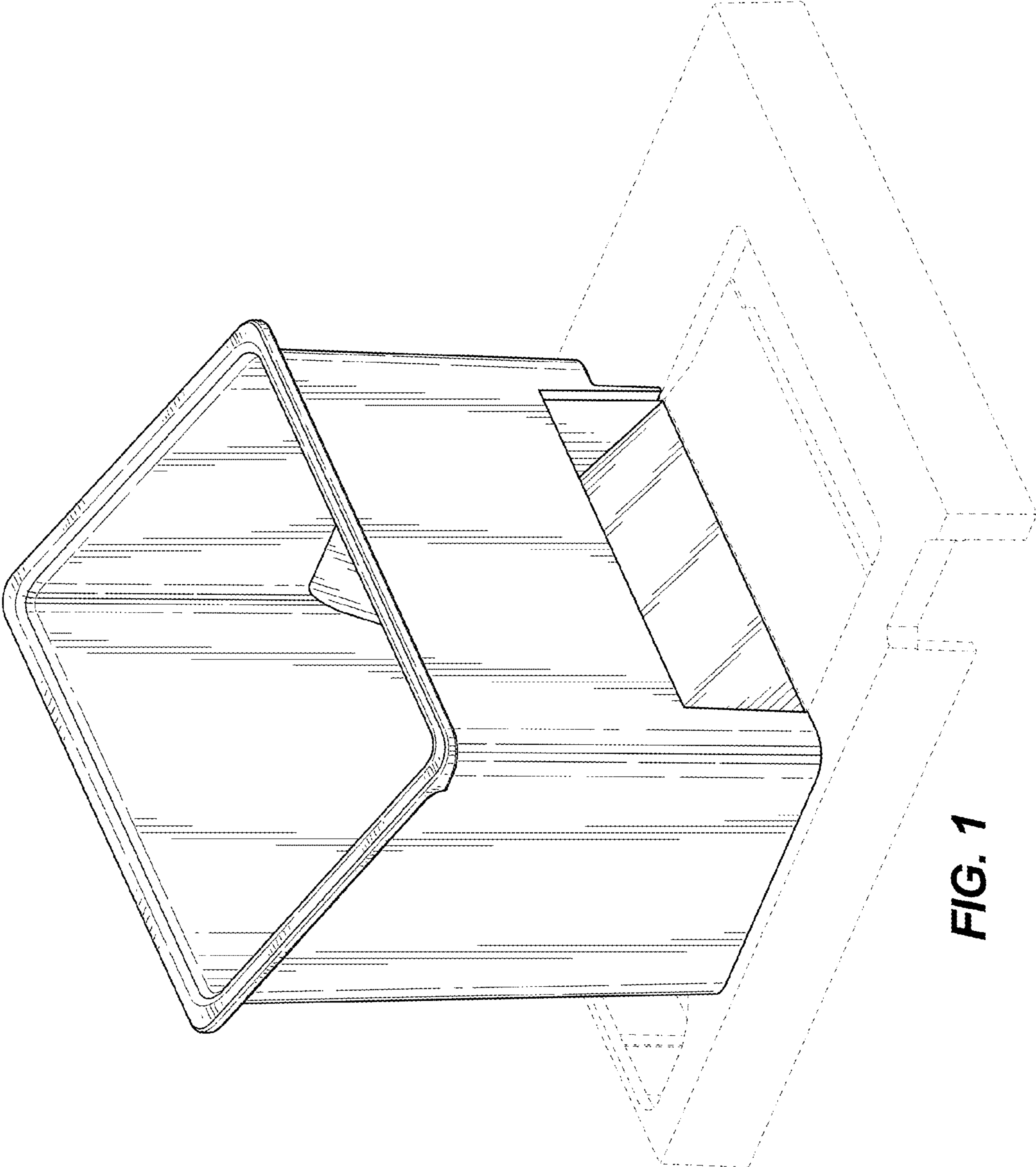


FIG. 1

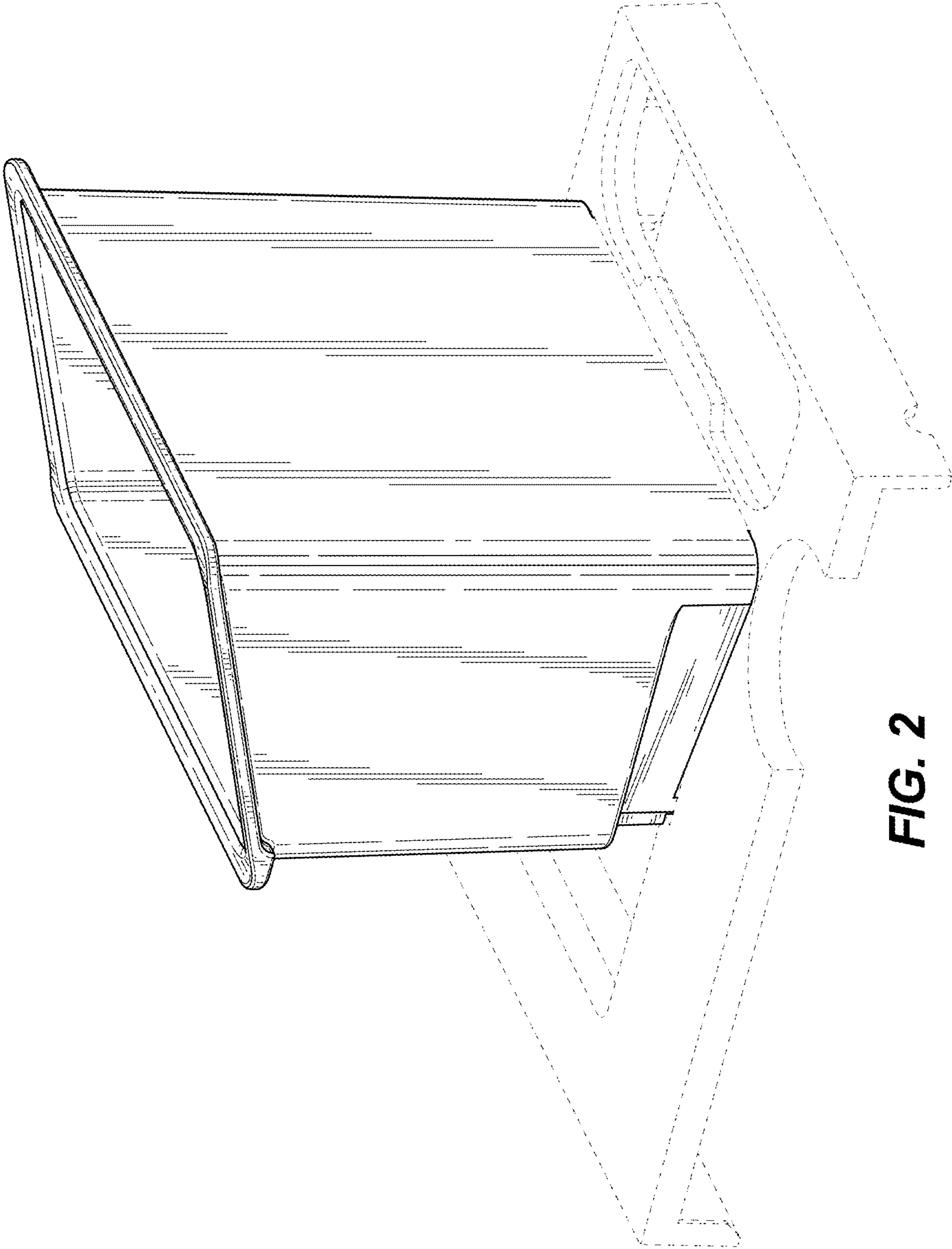


FIG. 2

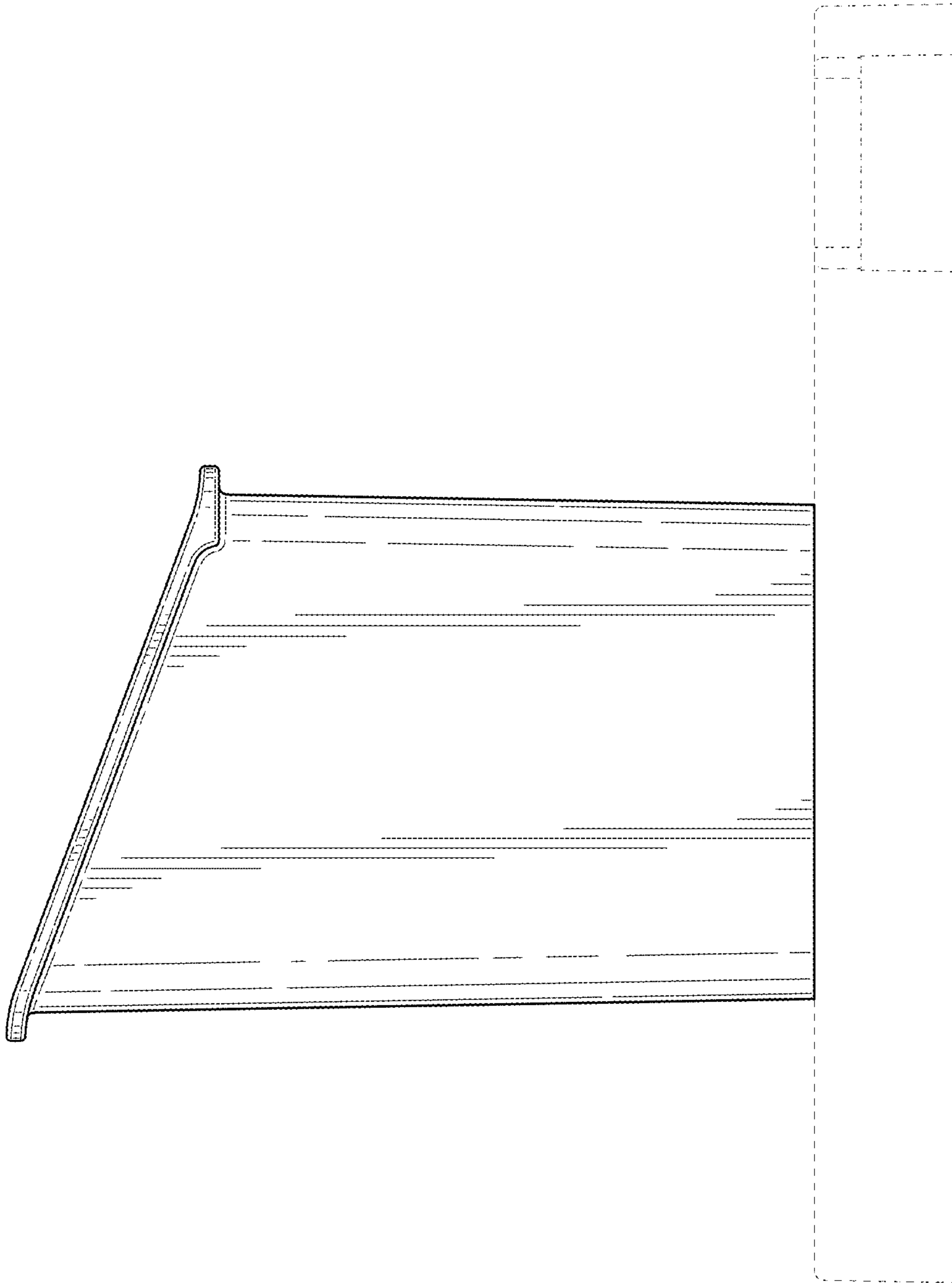


FIG. 3

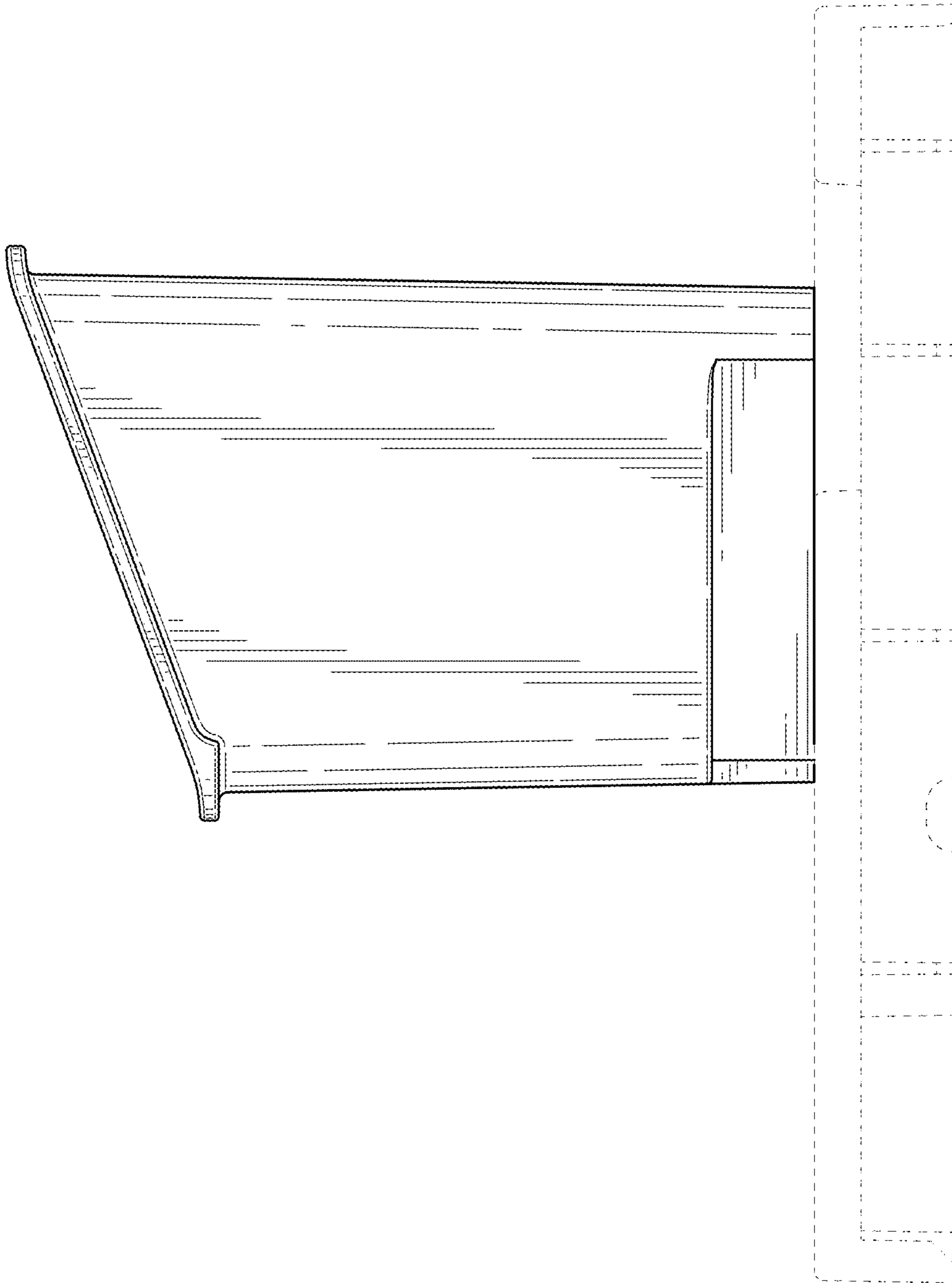


FIG. 4



FIG. 5

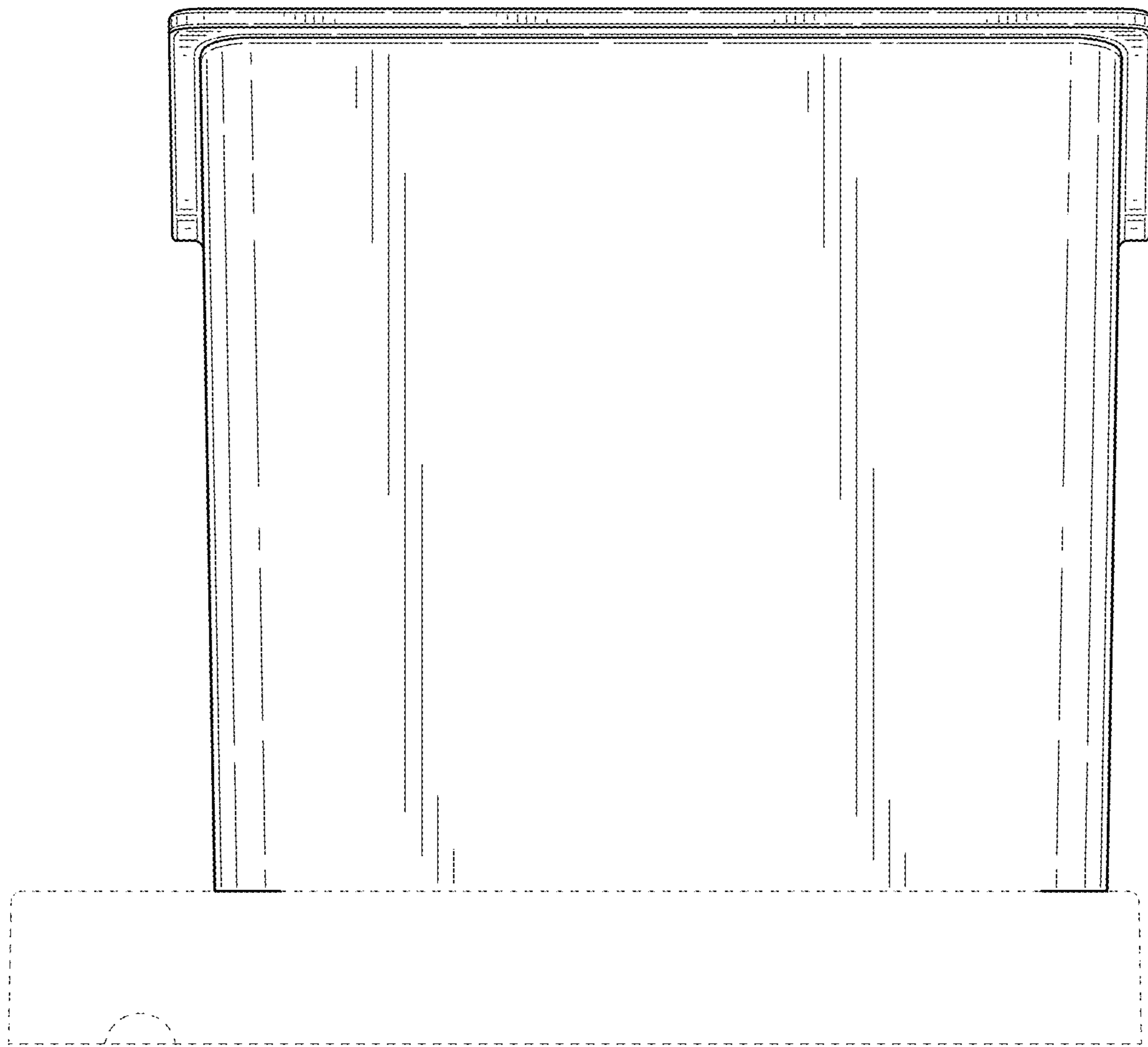


FIG. 6

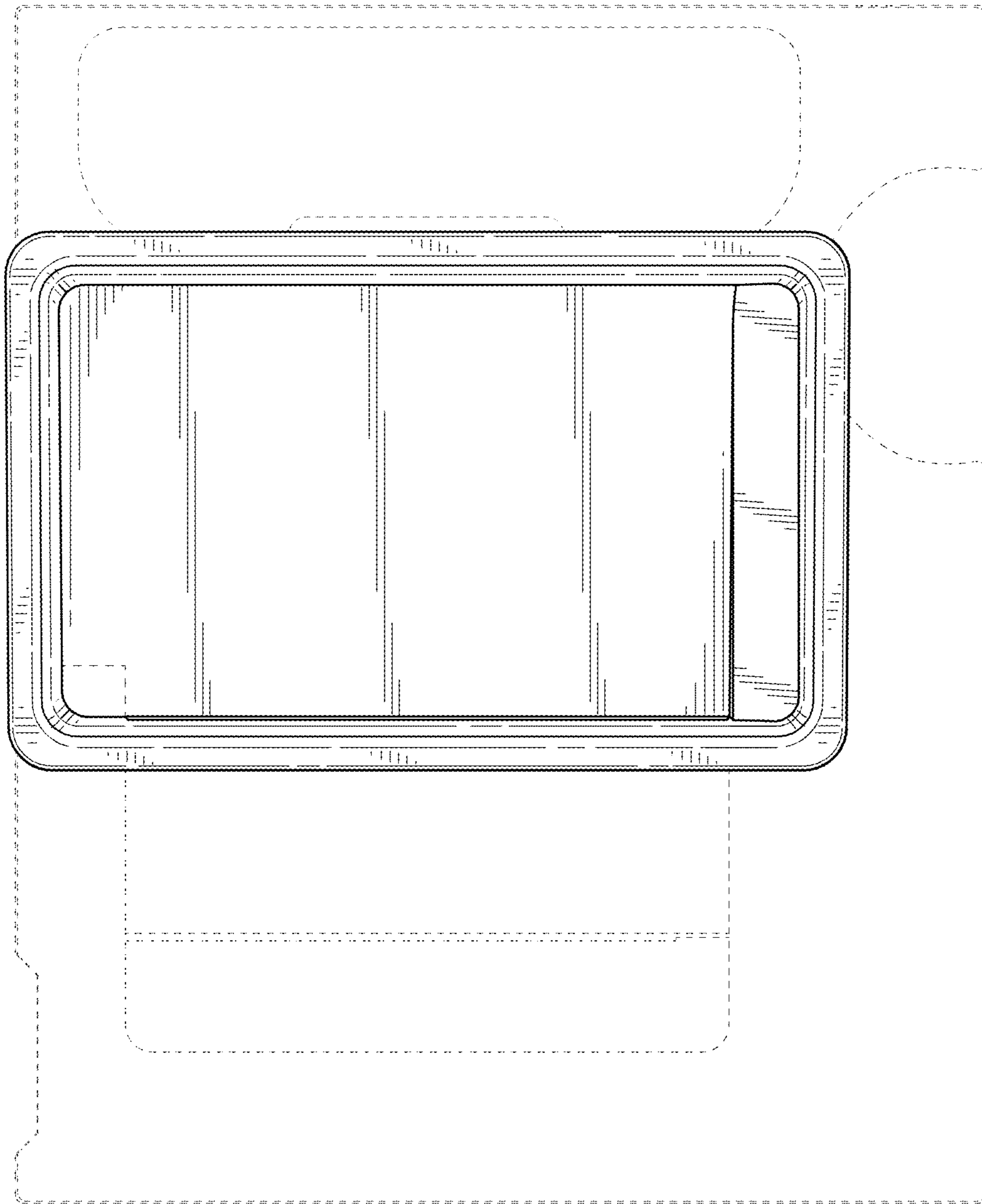


FIG. 7

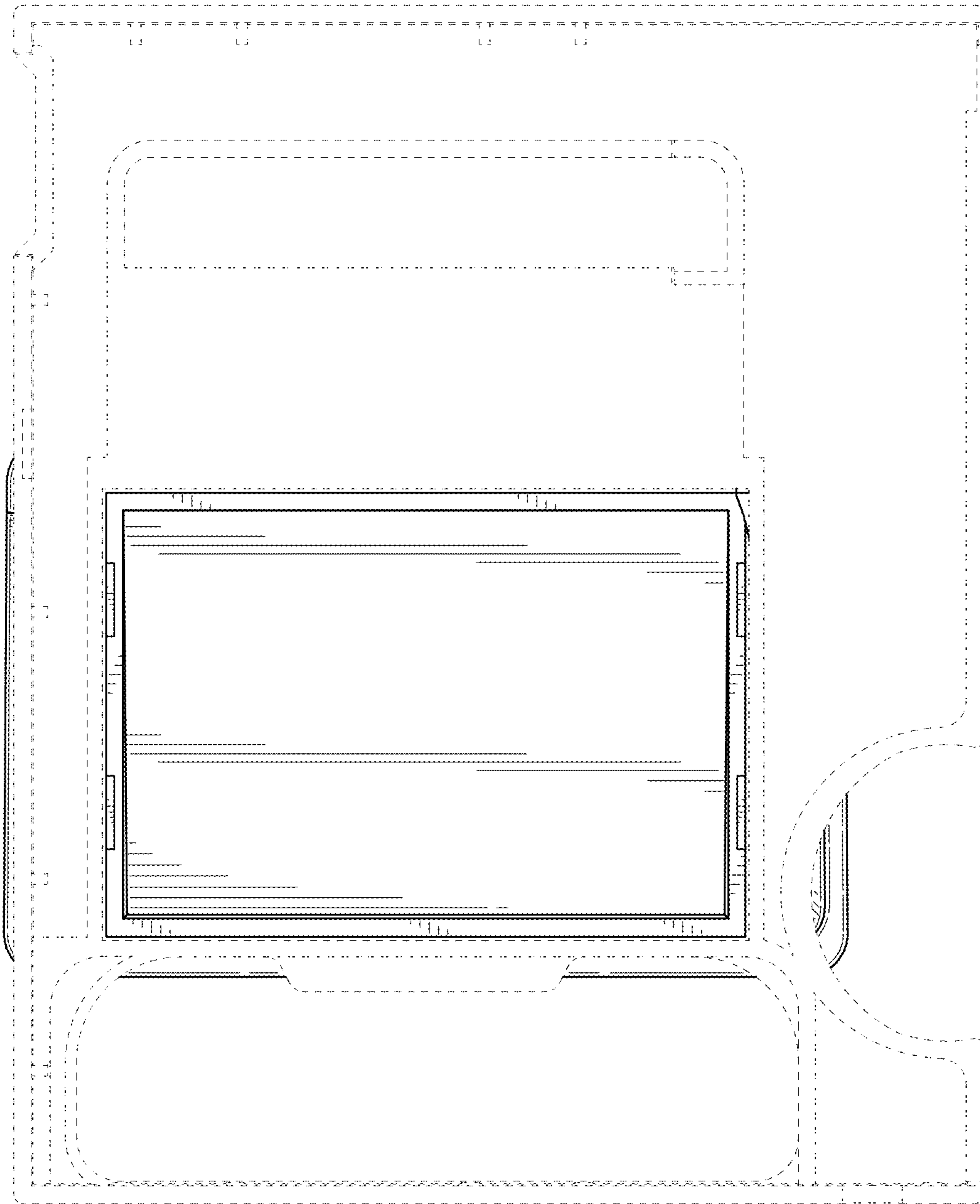


FIG. 8

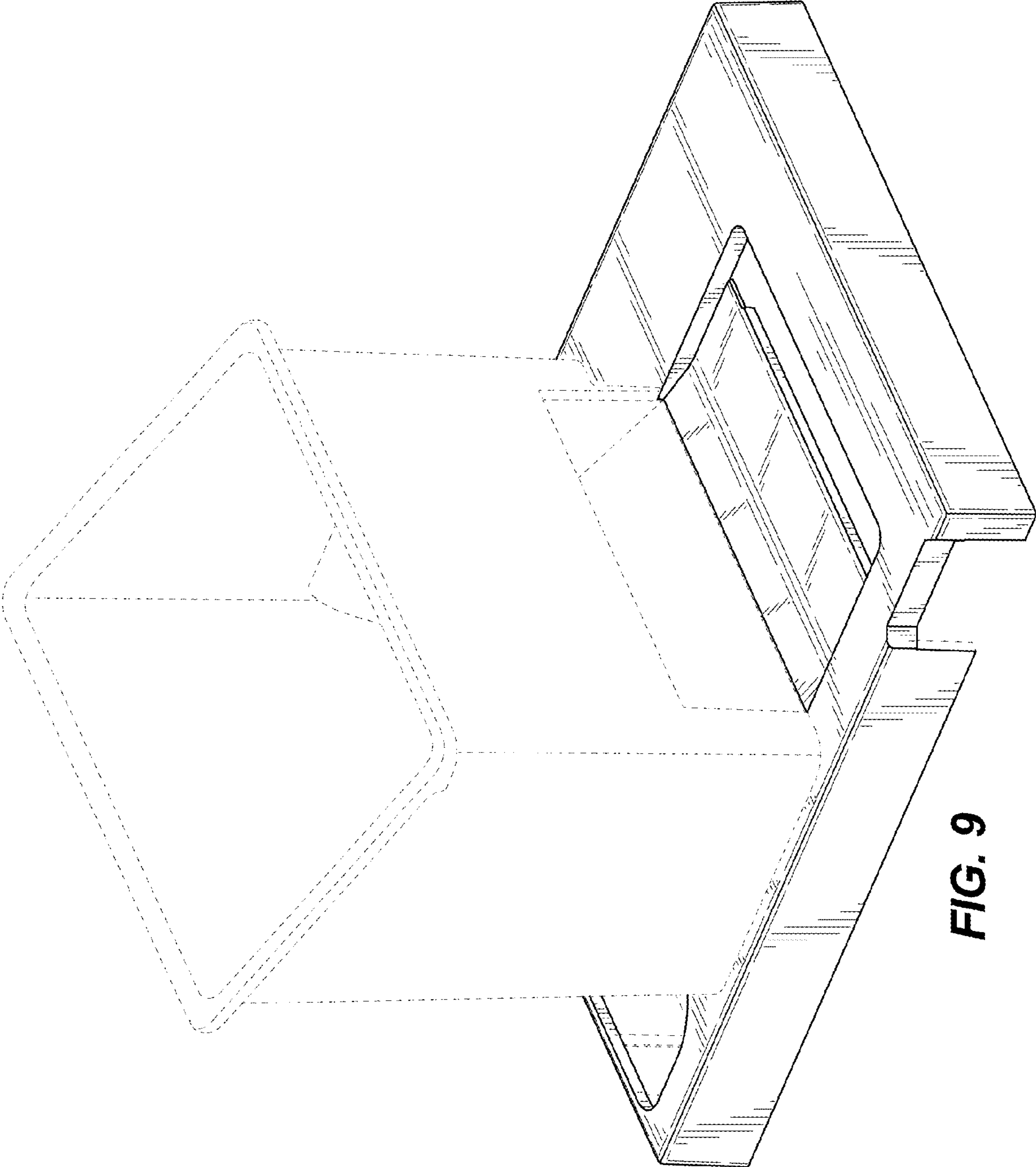


FIG. 9

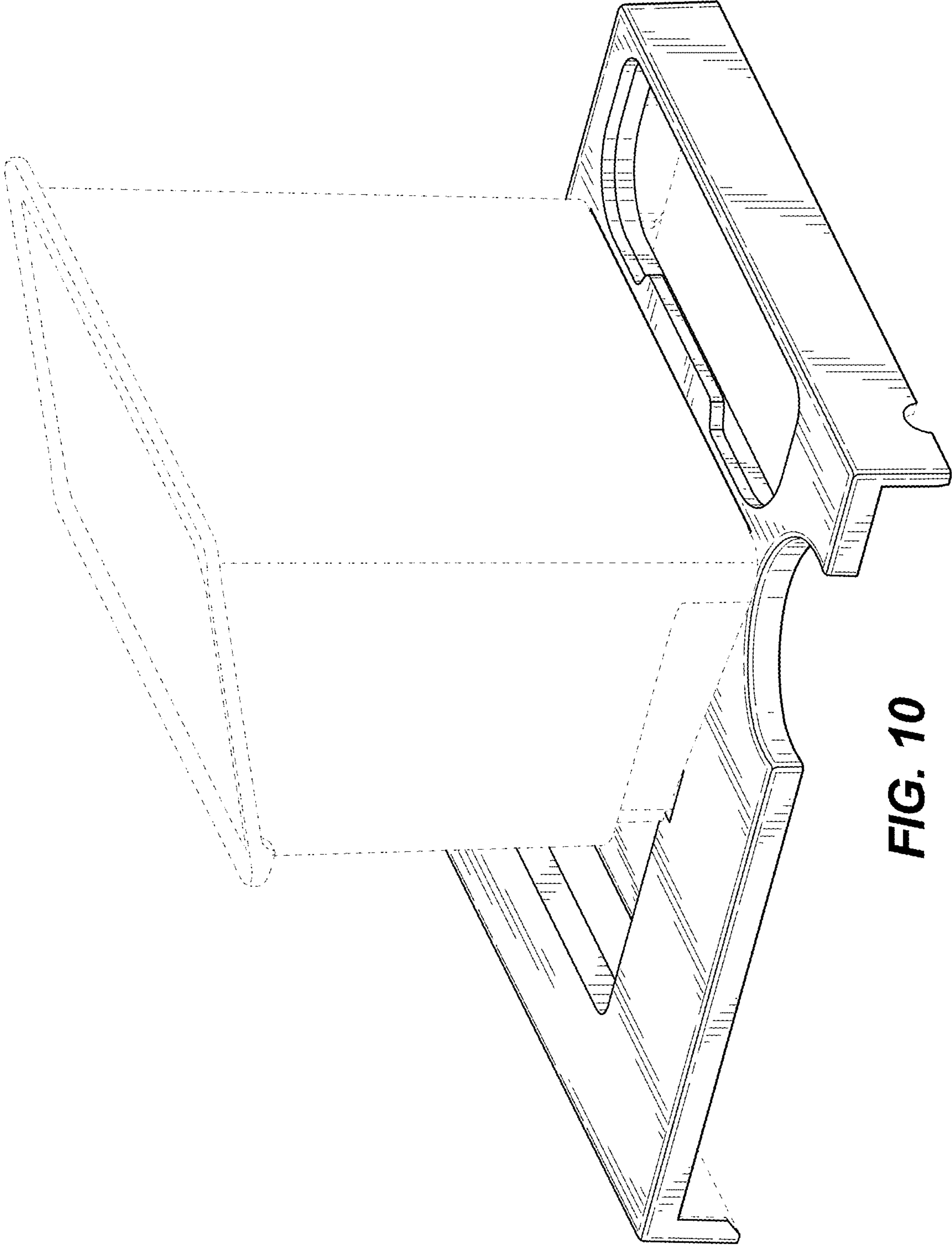


FIG. 10

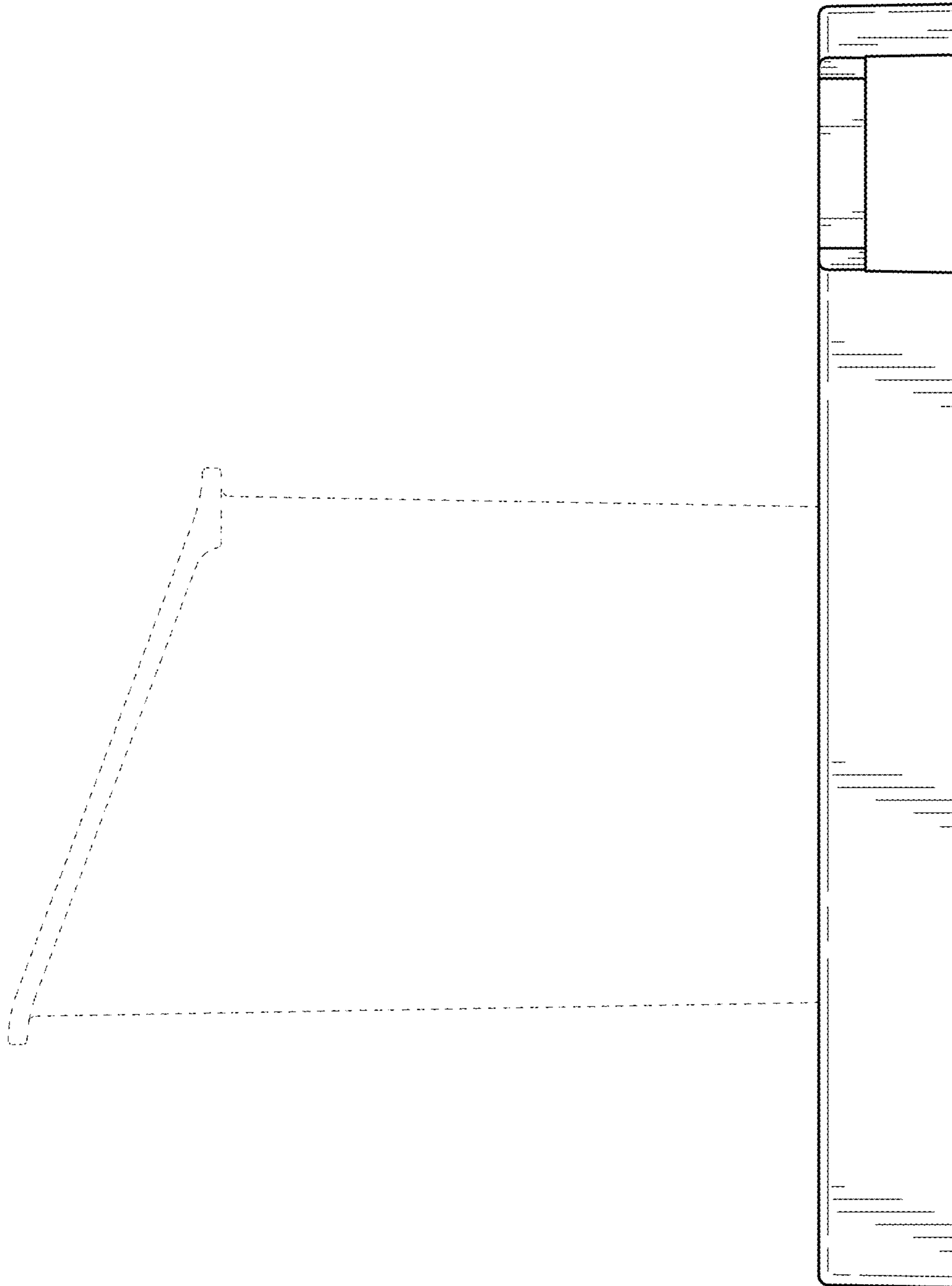


FIG. 11

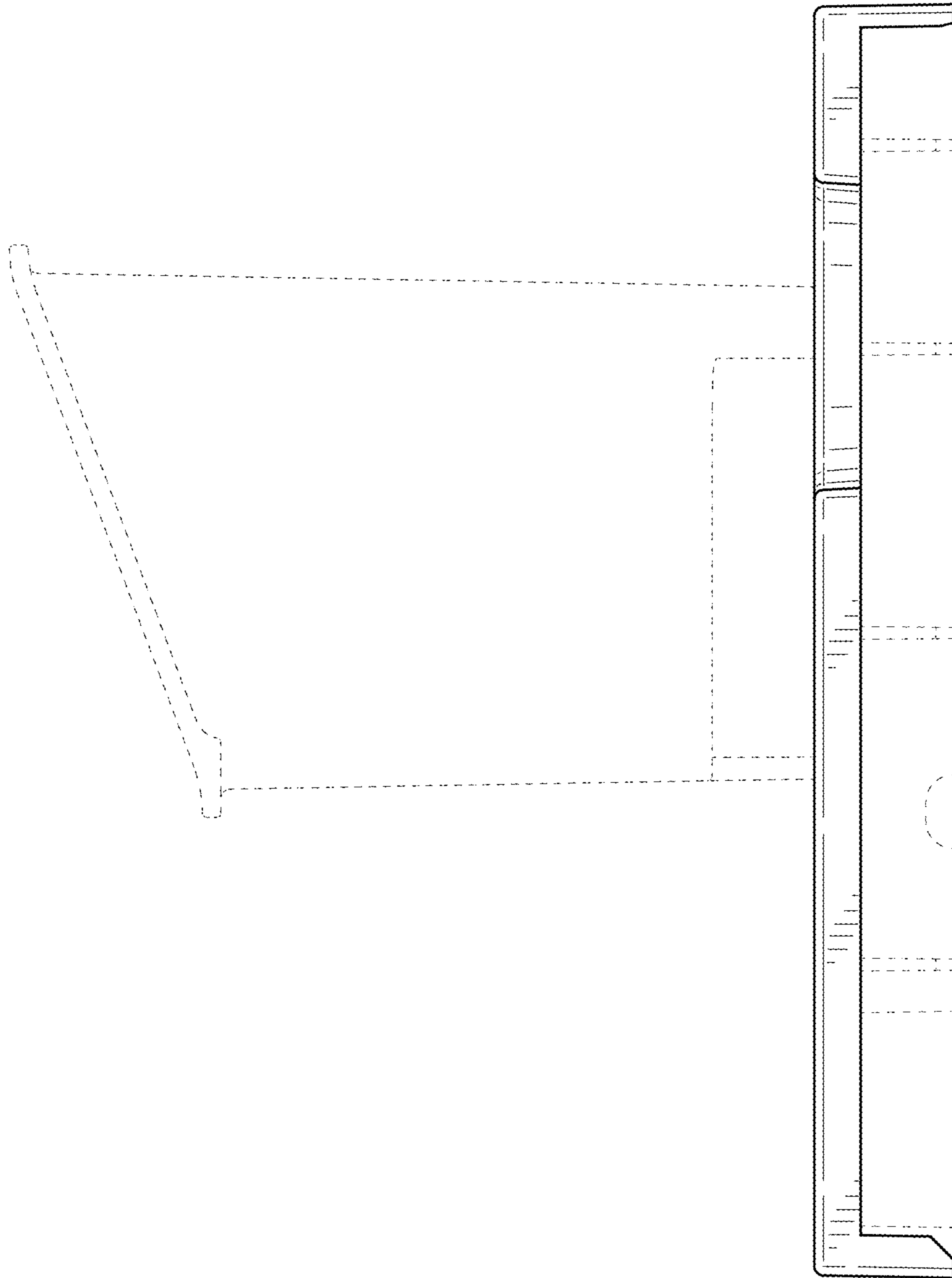


FIG. 12

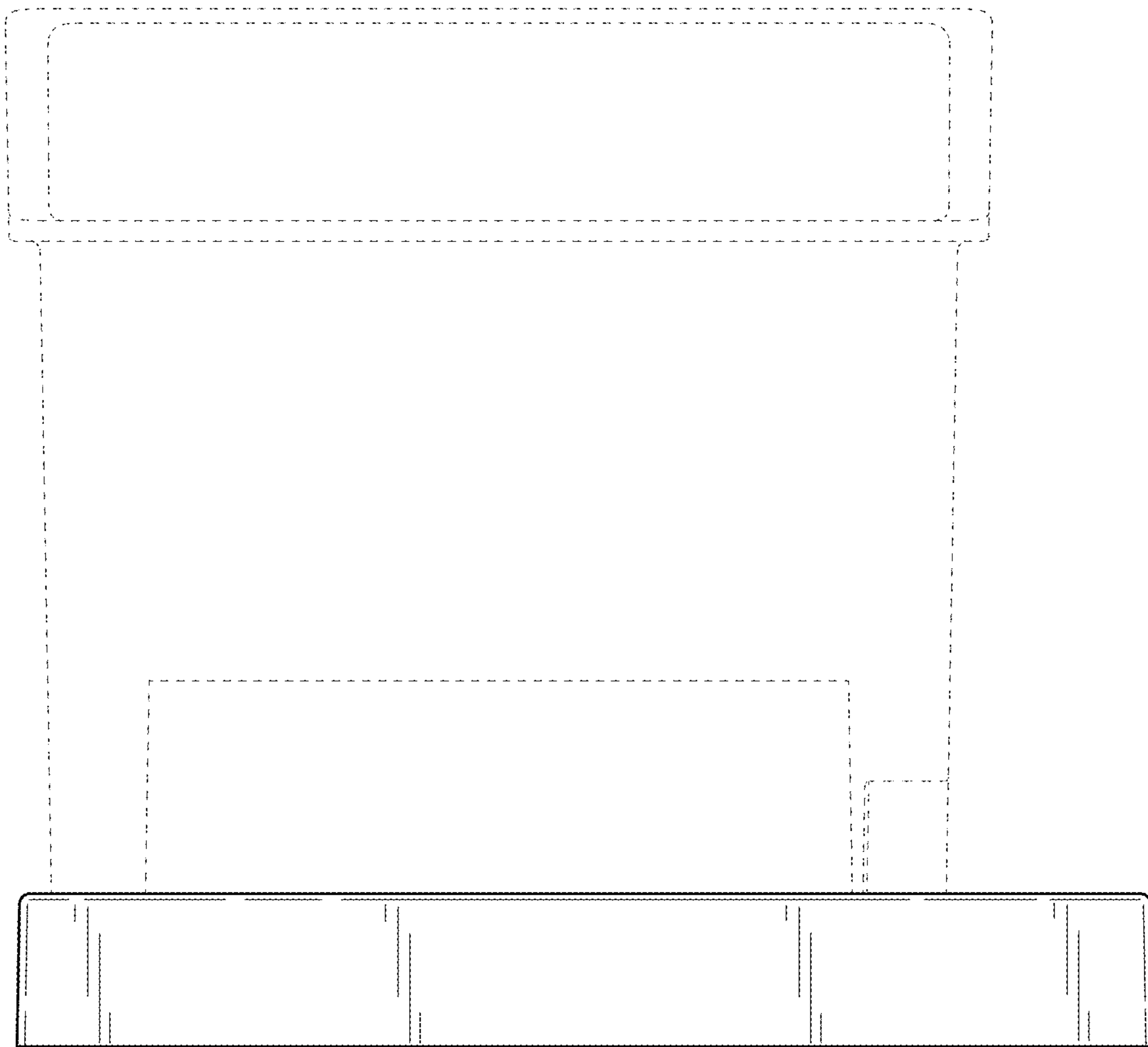


FIG. 13

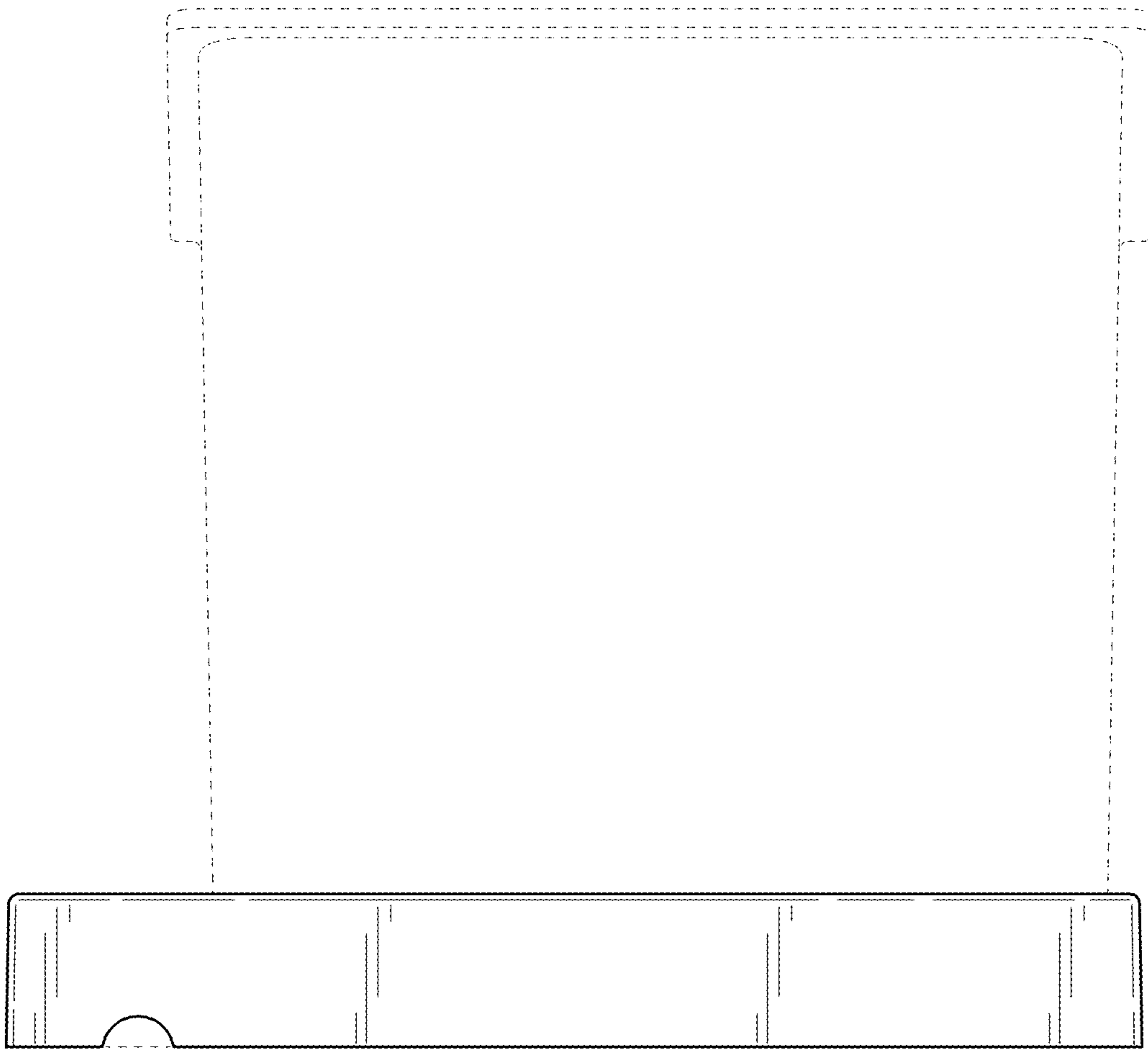


FIG. 14

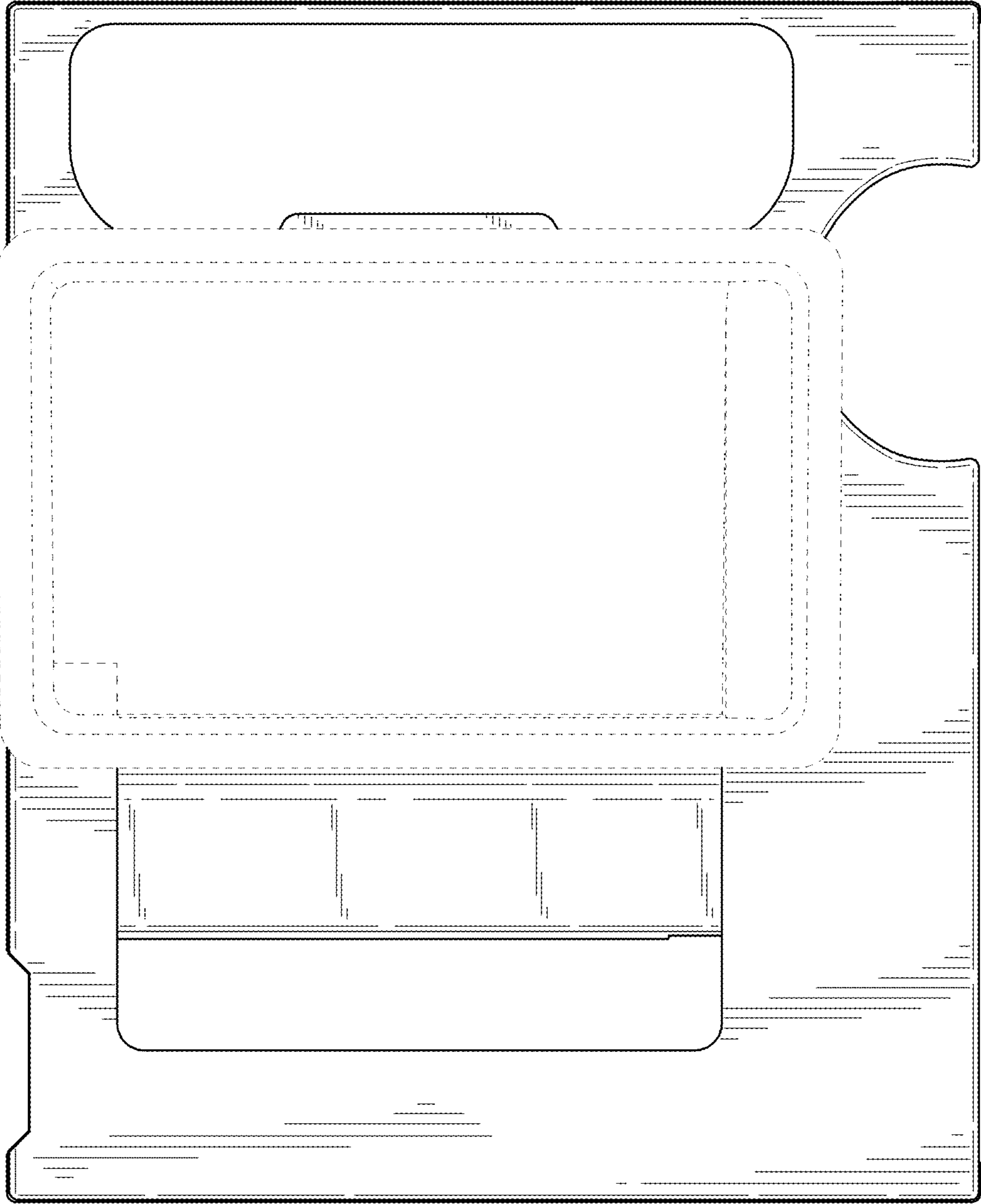


FIG. 15

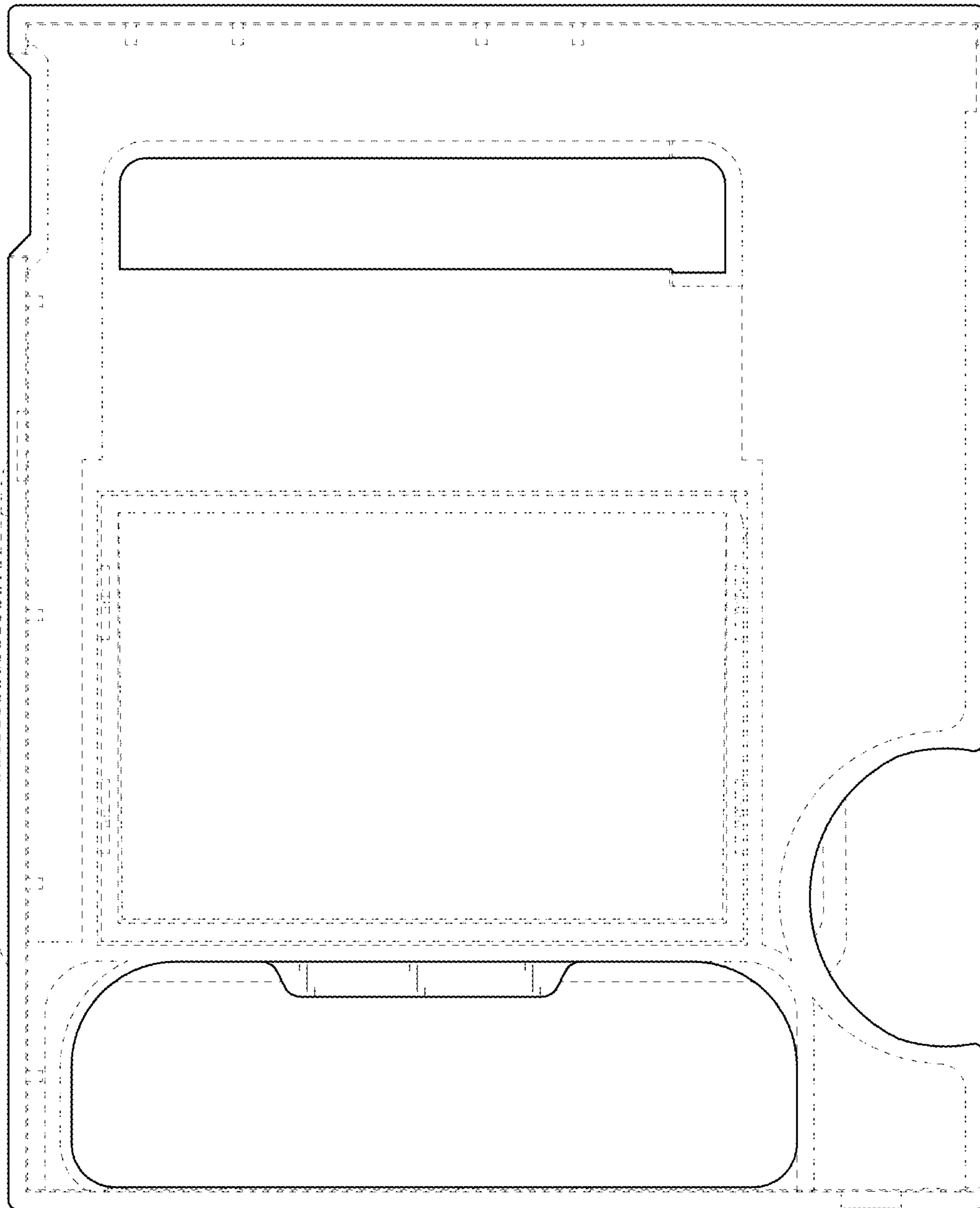


FIG. 16

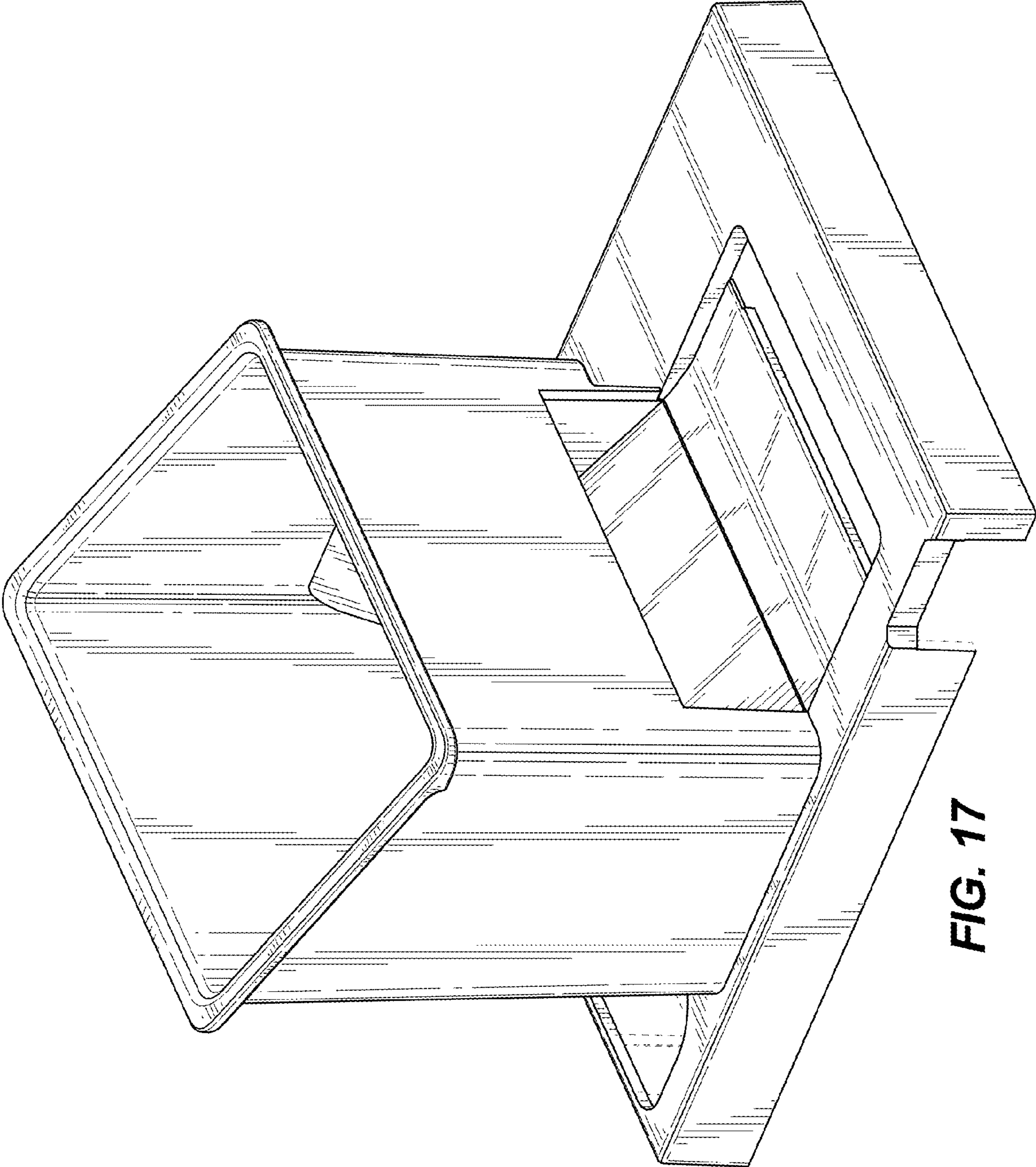


FIG. 17

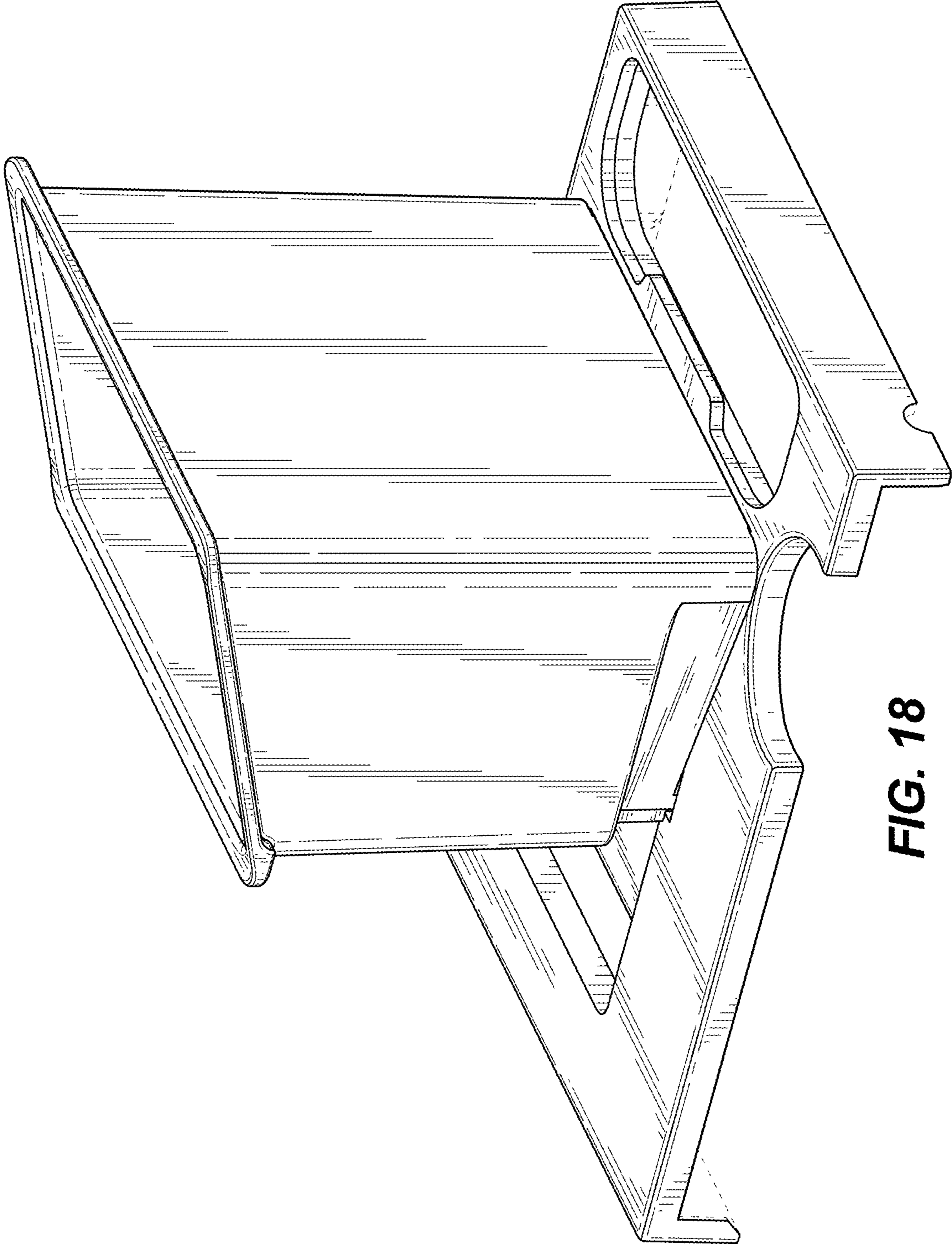


FIG. 18

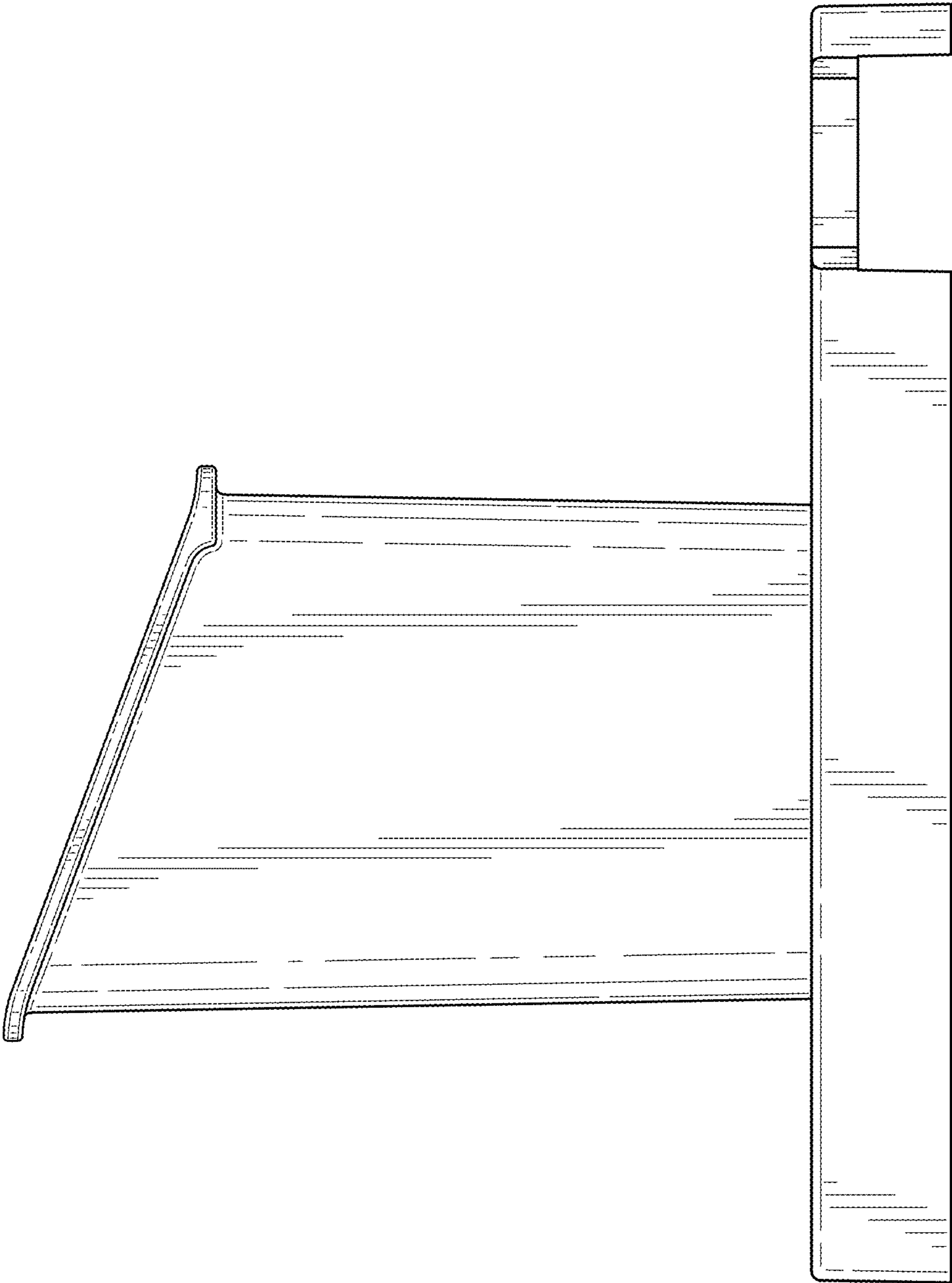


FIG. 19

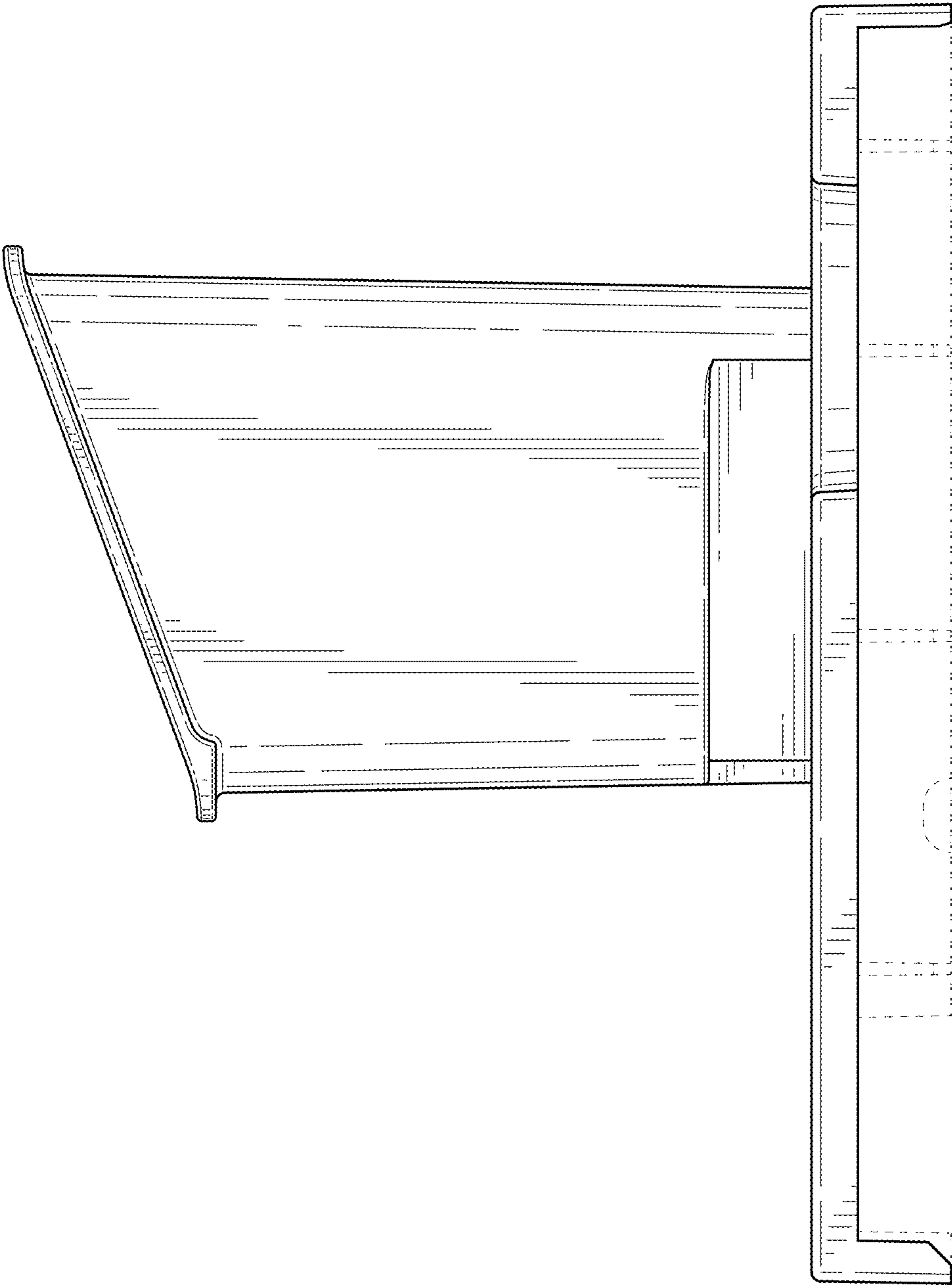


FIG. 20

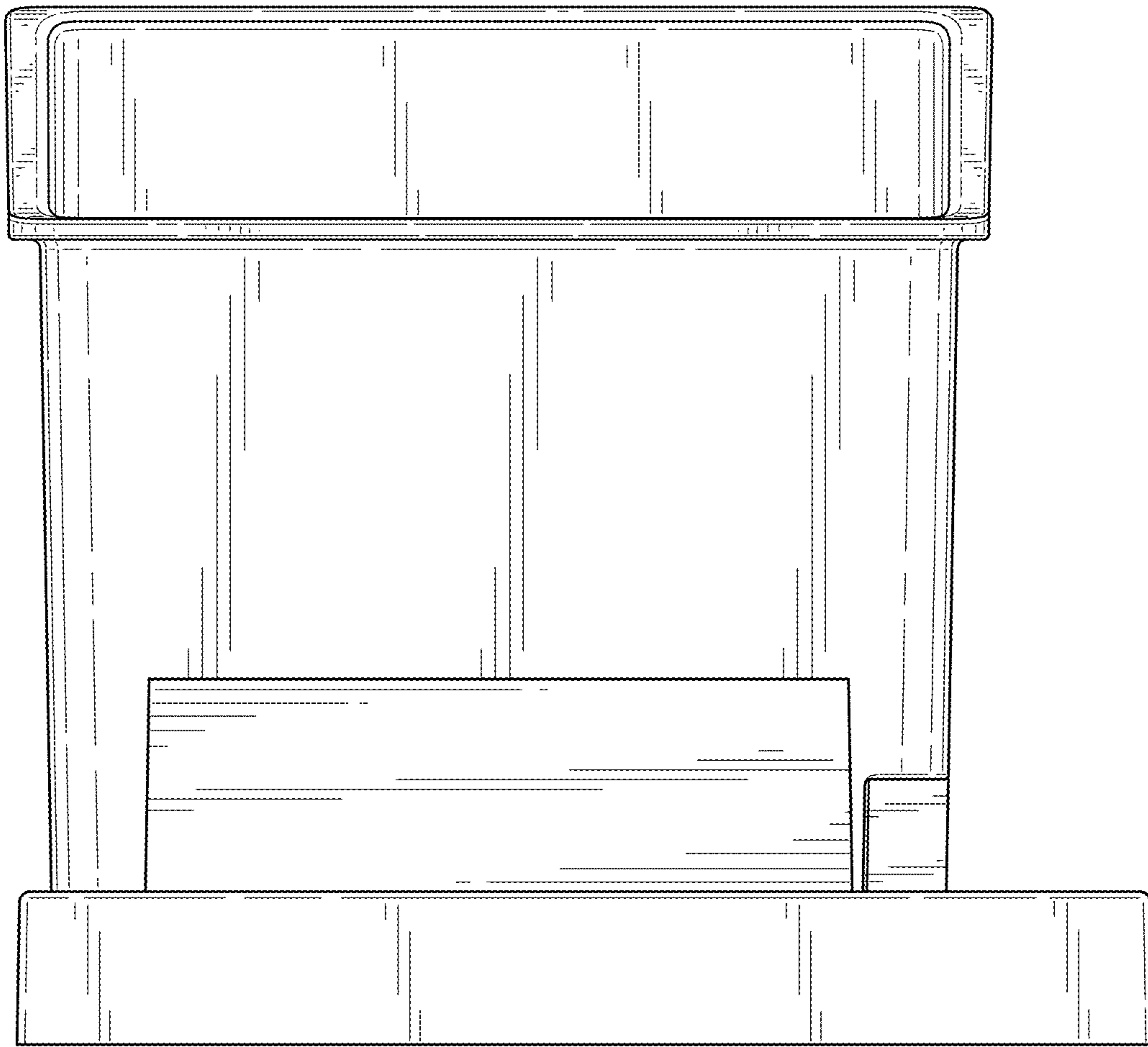


FIG. 21

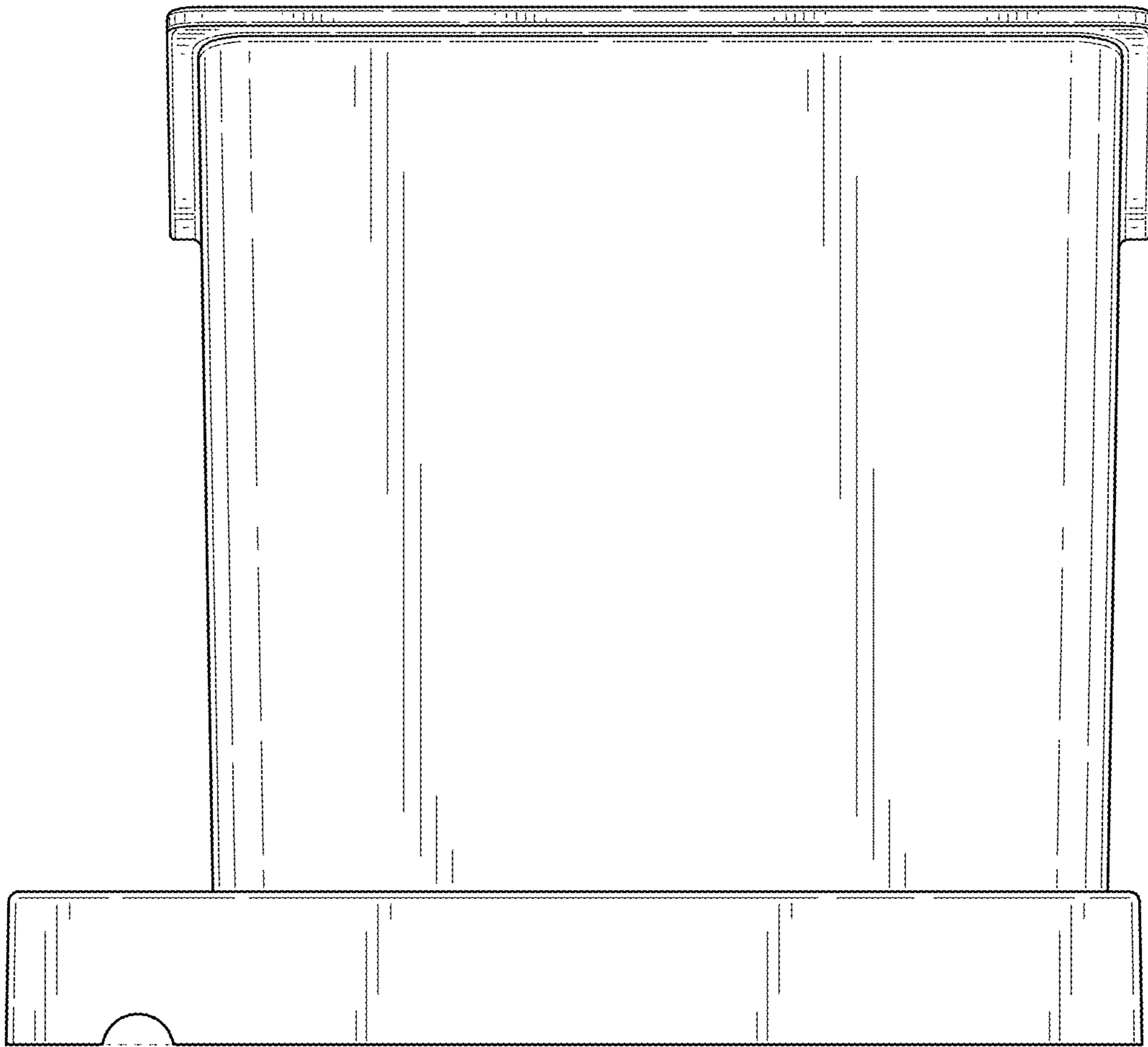


FIG. 22

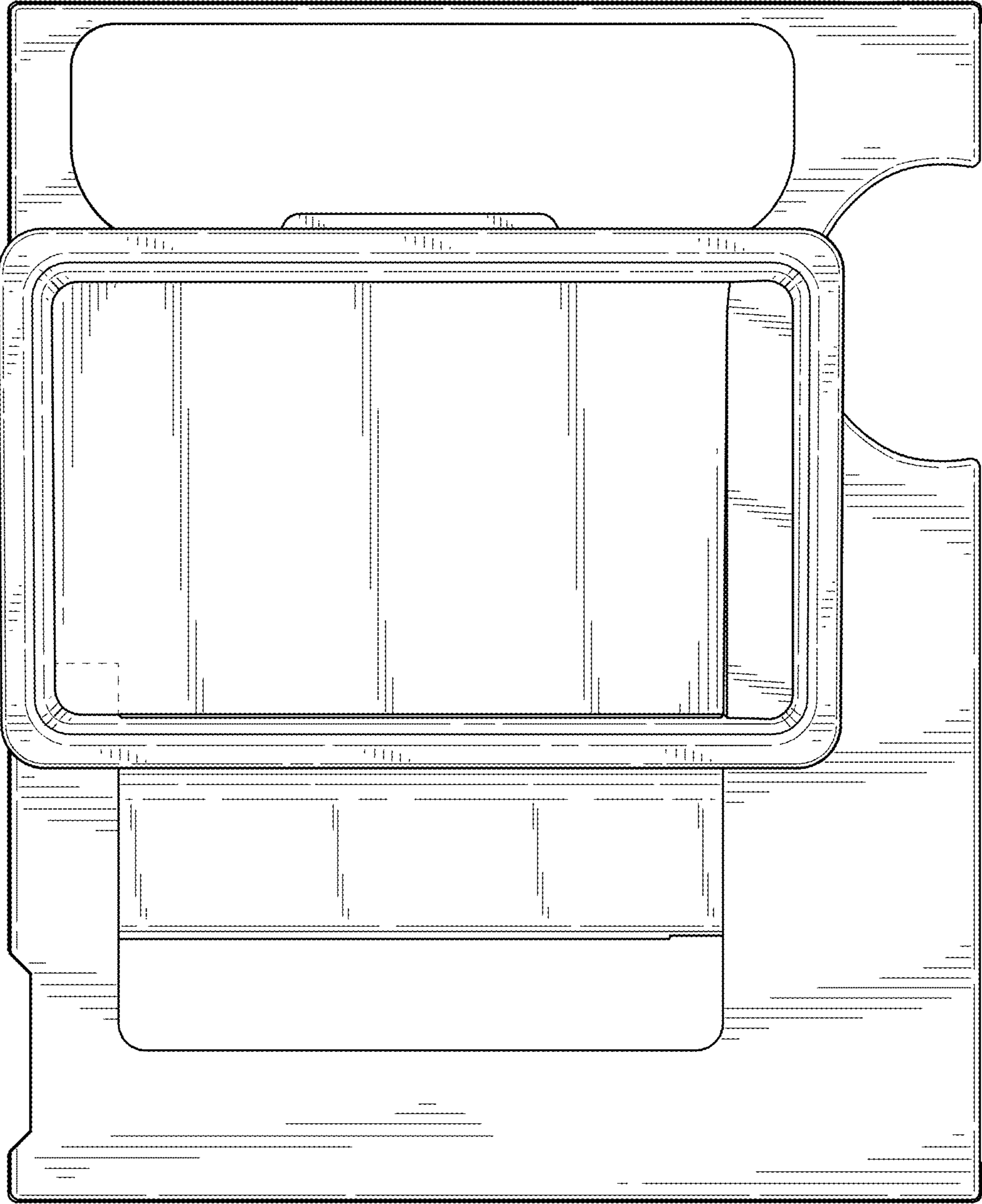


FIG. 23

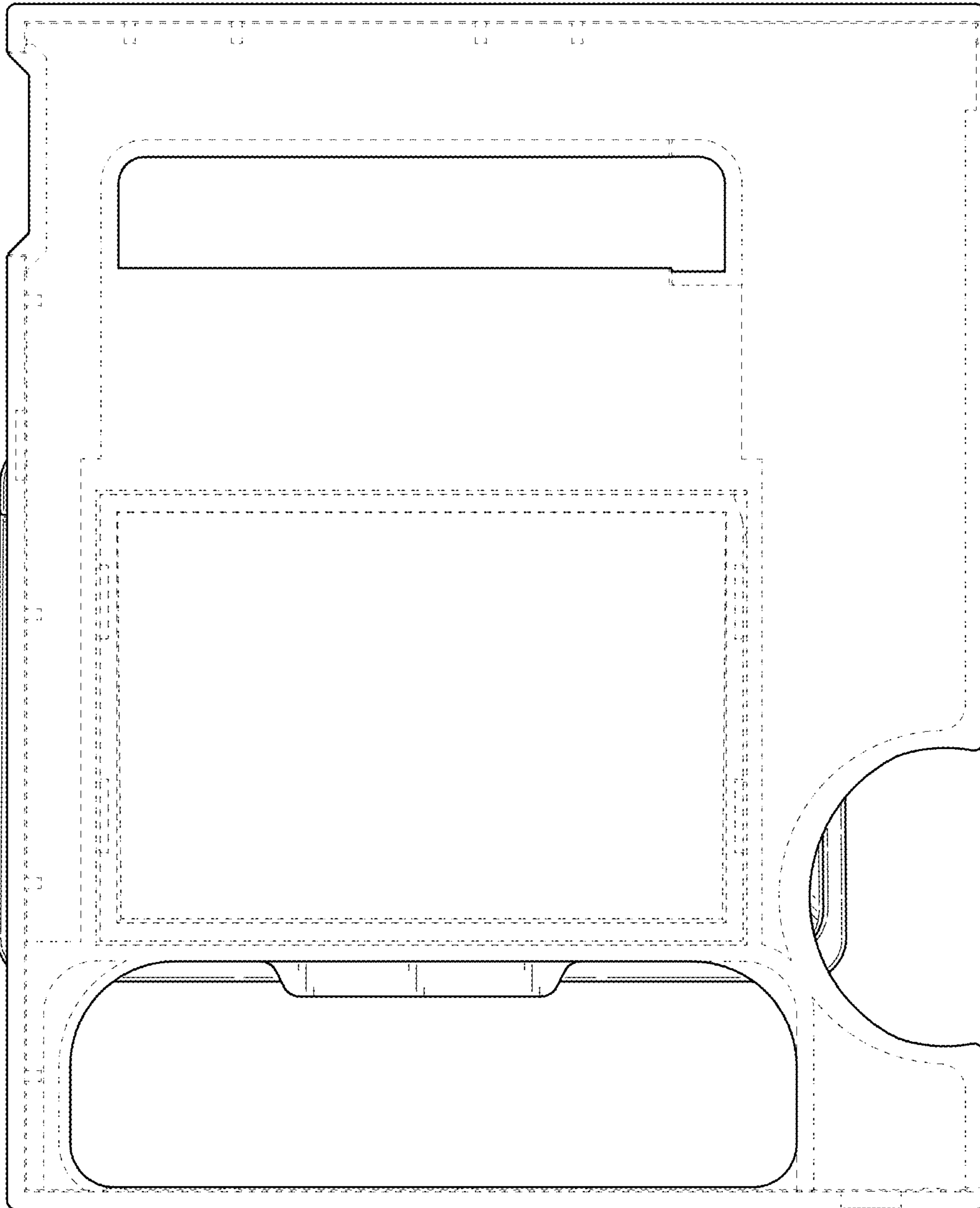


FIG. 24

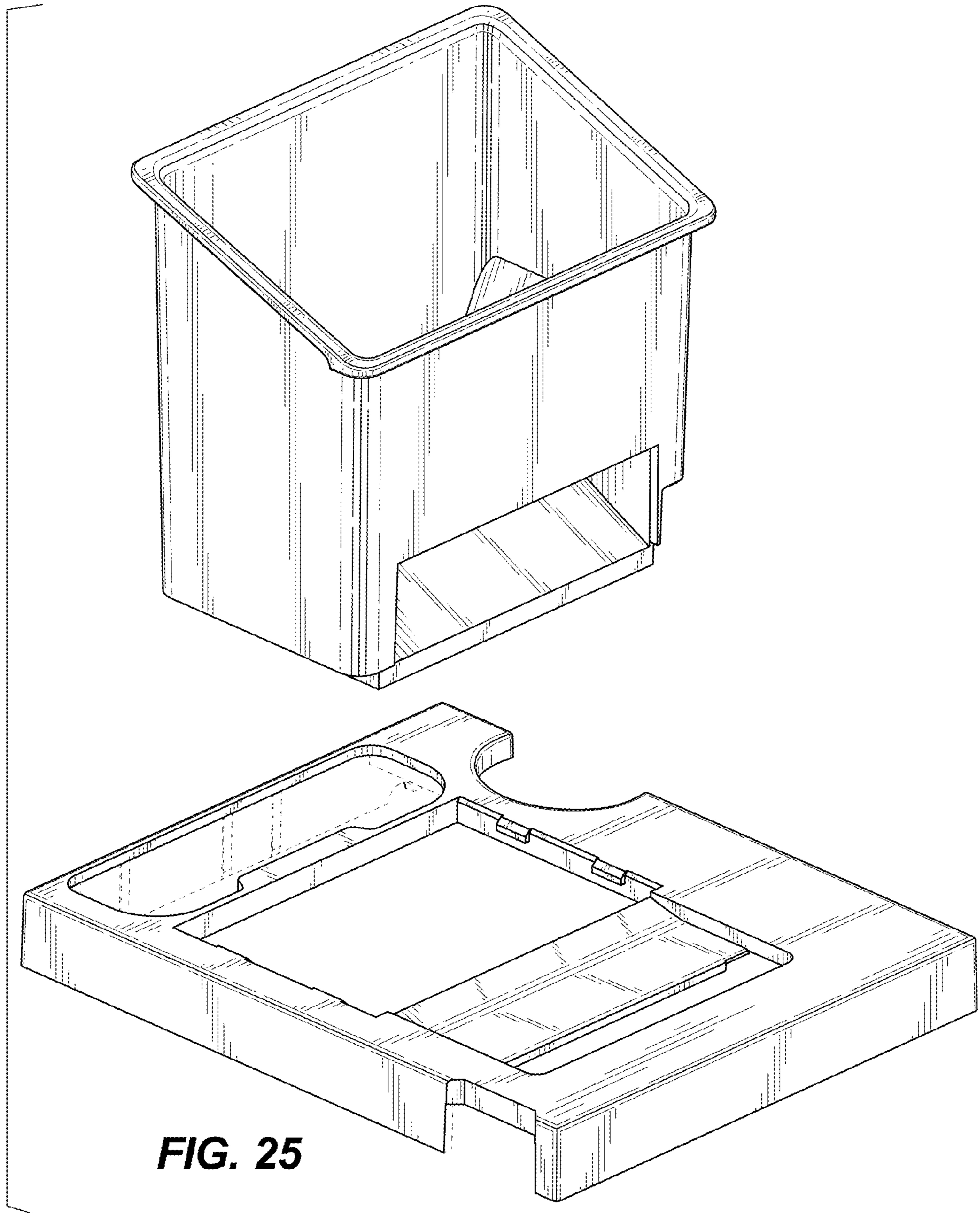


FIG. 25

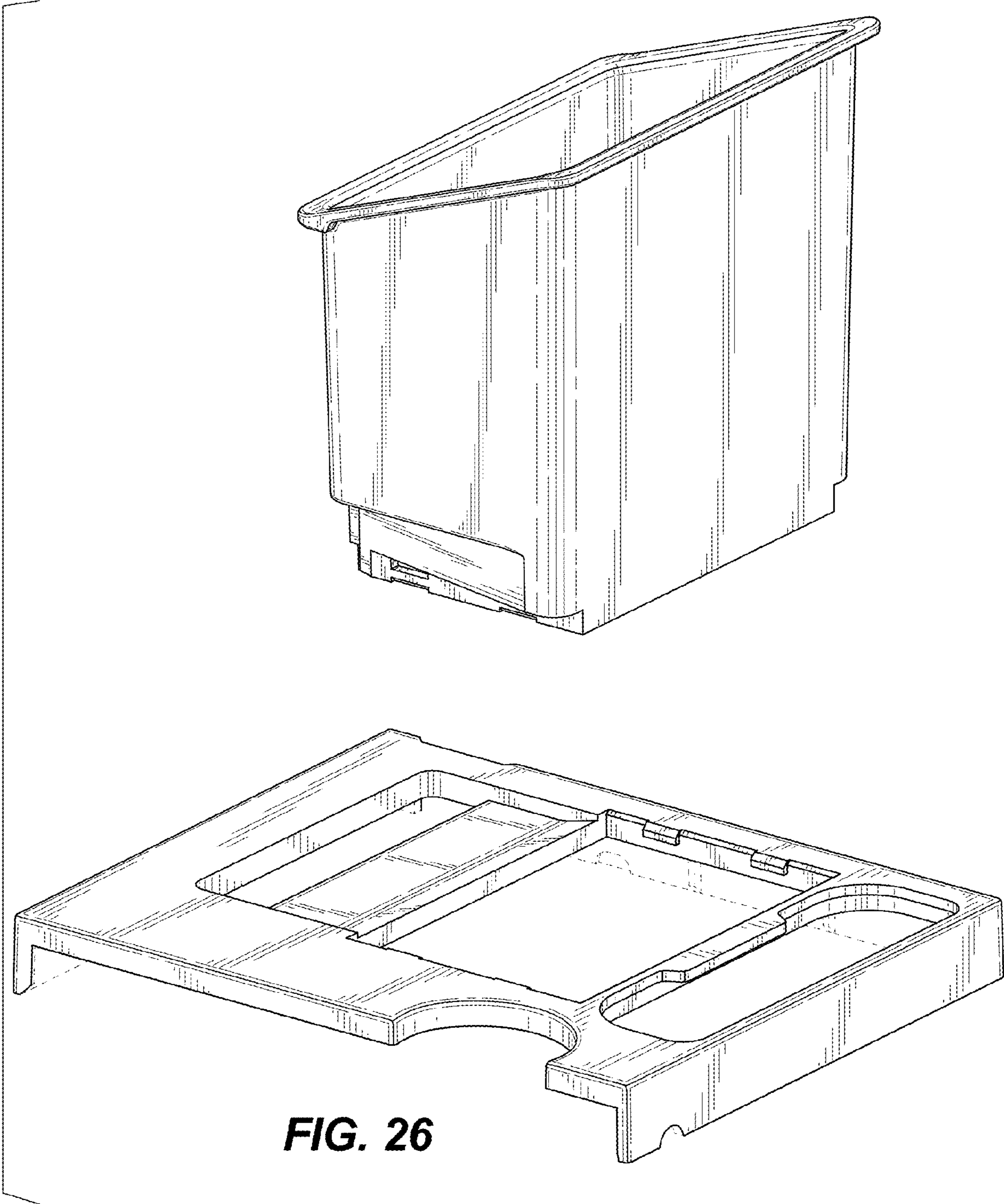


FIG. 26