



US00D925819S

(12) **United States Design Patent** (10) **Patent No.:** **US D925,819 S**
Xu (45) **Date of Patent:** **** Jul. 20, 2021**

(54) **CAR CIGARETTE LIGHTER**

A24F 9/16; A24F 40/50; A24F 40/65;
A24F 40/51; A24F 40/95; A24F 40/49;
A24F 42/60; A24F 1/02; A24F 2700/03;
A24F 15/01;

(71) Applicant: **Guangdong BESTEK Medical Devices Co., Ltd.**, Shenzhen (CN)

(Continued)

(72) Inventor: **Xinhua Xu**, Shenzhen (CN)

(56) **References Cited**

(73) Assignee: **GUANGDONG BESTEK MEDICAL DEVICES CO., LTD.**, Shenzhen (CN)

U.S. PATENT DOCUMENTS

(**) Term: **15 Years**

D229,931 S * 1/1974 Winberg D23/207
D300,955 S * 5/1989 Sweeny D27/102

(21) Appl. No.: **29/730,321**

(Continued)

(22) Filed: **Apr. 2, 2020**

FOREIGN PATENT DOCUMENTS

(30) **Foreign Application Priority Data**

CN 201530402043 * 2/2016
CN 201630088459 * 7/2016

Dec. 6, 2019 (CN) 201930680517.3

(Continued)

(51) **LOC (13) Cl.** **27-05**

Primary Examiner — Marissa J Cash
Assistant Examiner — William B Melliar

(52) **U.S. Cl.**

(57) **CLAIM**

USPC **D27/141**; D14/240; D13/107

The ornamental design for a car cigarette lighter, as shown and described.

(58) **Field of Classification Search**

DESCRIPTION

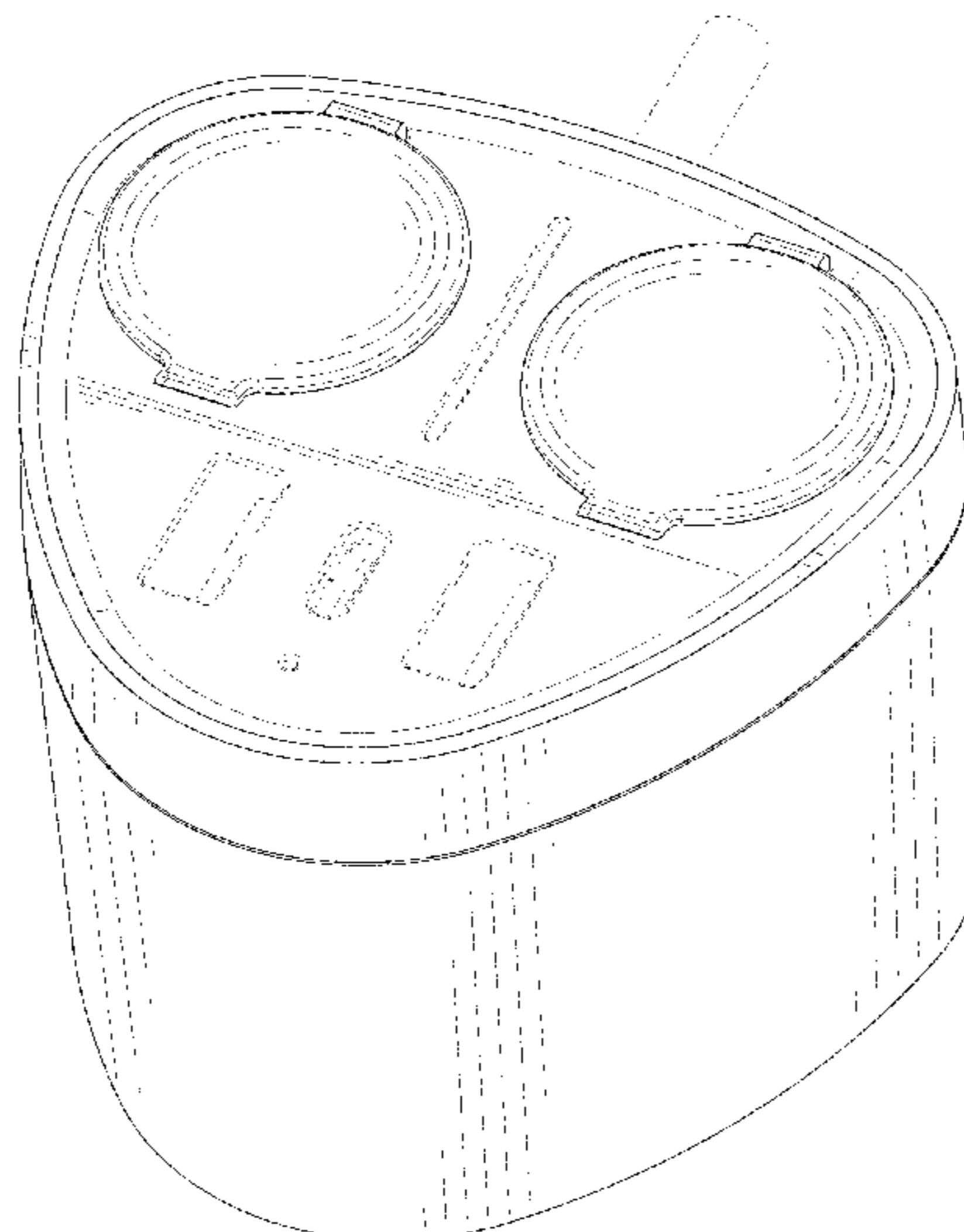
USPC D27/100, 101, 102, 103, 106, 108, 109,
D27/110, 111, 117, 120, 125, 126, 127,
D27/128, 129, 139, 141, 142, 143, 144,
D27/147, 148, 154, 162, 163, 164, 165,
D27/166, 167, 168, 169, 170, 171, 172,
D27/173, 174, 175, 176, 177, 178, 179,
D27/180, 181, 182, 183, 184, 185, 186,
D27/187, 188, 189, 190, 191, 192, 193,
D27/194, 196; D13/103, 107, 108, 119;
D14/240; D12/190, 192, 400

FIG. 1 is a perspective view of a car cigarette lighter showing my new design;
FIG. 2 is another perspective view thereof;
FIG. 3 is a front elevational view thereof;
FIG. 4 is a rear elevational view thereof;
FIG. 5 is a left side elevational view thereof;
FIG. 6 is a right side elevational view thereof;
FIG. 7 is a top plan view thereof;
FIG. 8 is a bottom plan view thereof; and,
FIG. 9 is a perspective view of the car cigarette lighter in a second state.

CPC A24F 40/10; A24F 40/40; A24F 40/42;
A24F 40/44; A24F 40/60; A24F 40/53;
A24F 40/70; A24F 40/57; A24F 40/20;
A24F 40/30; A24F 47/00; A24F 7/00;
A24F 13/00; A24F 13/14; A24F 1/32;
A24F 47/002; A24F 15/015; A24F 13/06;
A24F 40/48; A24F 13/04; A24F 40/00;
A24F 40/90; A24F 42/80; A24F 40/485;
A24F 40/46; A24F 47/008; A24F 40/05;
A24F 40/465; A24F 1/00; A24F 7/02;

The broken lines in the drawings are for the purpose of illustrating portions of the car cigarette lighter that form no part of the claimed design.

1 Claim, 9 Drawing Sheets



(58) Field of Classification Search

CPC .. A24F 1/28; A24F 40/85; A24F 42/00; A24F 42/10; A24F 42/20; A24F 47/004; A24F 47/006; A24F 7/04; A24F 15/18; A24F 13/26; A24F 3/00; A24F 9/02; A24F 15/00; A24F 9/04; A24F 13/12; A24F 13/24; A24F 15/10; A24F 17/00; A24F 1/30; A24F 21/00; A24F 23/00; A24F 25/00; A24F 27/00; A24F 5/00; F23Q 2/32; F23Q 2/36; F23Q 2/173; F23Q 2/287; F23Q 2/16; F23Q 2/50; F23Q 7/16; F23Q 2/161; F23Q 2/167; F23Q 2/02; F23Q 2/164; F23Q 2/42; F23Q 2/40; F23Q 3/002; F23Q 3/01; F23Q 7/14; F23Q 7/22; F23Q 1/06; F23Q 2/06; F23Q 2/38; F23Q 7/00; F23Q 13/005; F23Q 13/04; F23Q 2/165; F23Q 2/28; F23Q 2/285; F23Q 2/325; F23Q 2/345; F23Q 2/44; F23Q 3/00; F23Q 3/006; F23Q 7/04

See application file for complete search history.

(56)

References Cited

U.S. PATENT DOCUMENTS

D361,154	S	*	8/1995	Makinen	D27/102
D429,689	S	*	8/2000	Barragan, Jr.	D13/144
D476,297	S	*	6/2003	Schwimmer	D13/184
D480,358	S	*	10/2003	Klant	D13/110
D533,838	S	*	12/2006	Chen	D13/144
D728,471	S	*	5/2015	Alesi	D13/110
D758,304	S	*	6/2016	Wright	D13/107
D833,673	S	*	11/2018	Booth	D27/194
D842,537	S	*	3/2019	Booth	D27/194
D864,875	S	*	10/2019	Zhang	D13/144
D895,541	S	*	9/2020	Zhang	D13/108
2018/0360115	A1	*	12/2018	Lin	A61M 11/042
2019/0308542	A1	*	10/2019	Wang	B60N 3/14

FOREIGN PATENT DOCUMENTS

CN	201630000707.2	*	9/2016
CN	201630346152	*	2/2017
CN	201630510279	*	2/2017
CN	201630536482	*	3/2017
CN	201630537168	*	3/2017
CN	201730292844	*	12/2017

* cited by examiner

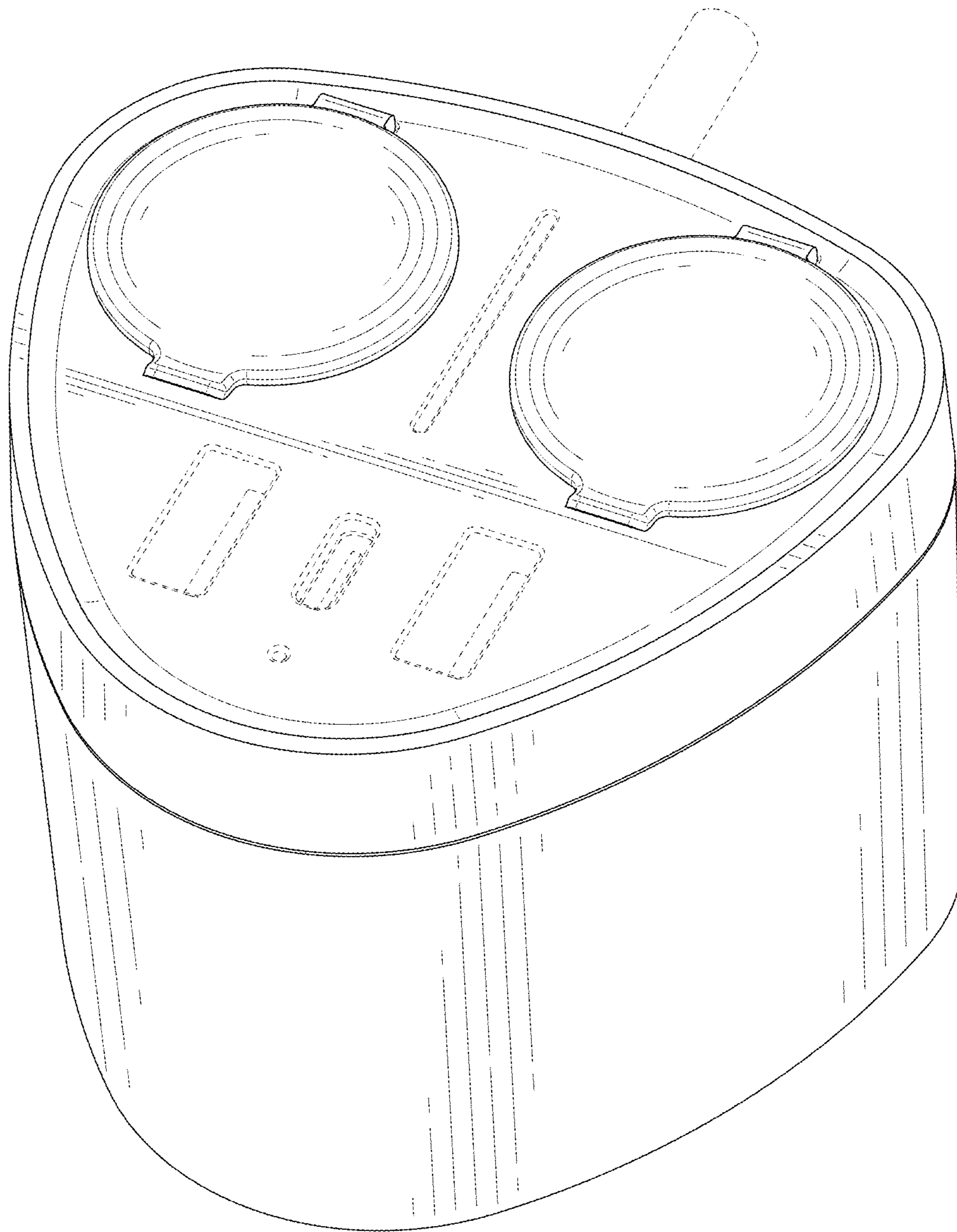


FIG. 1

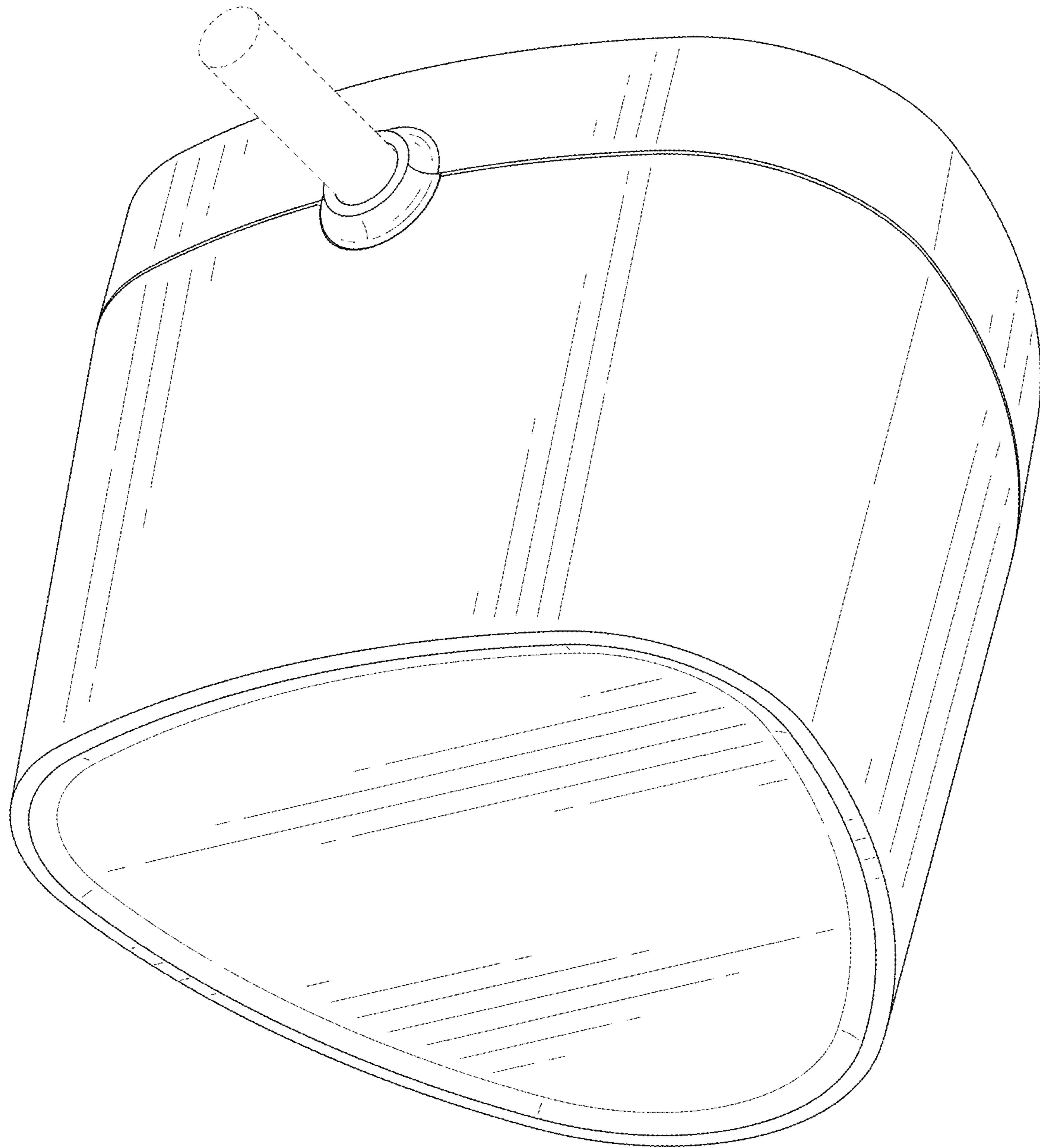


FIG. 2

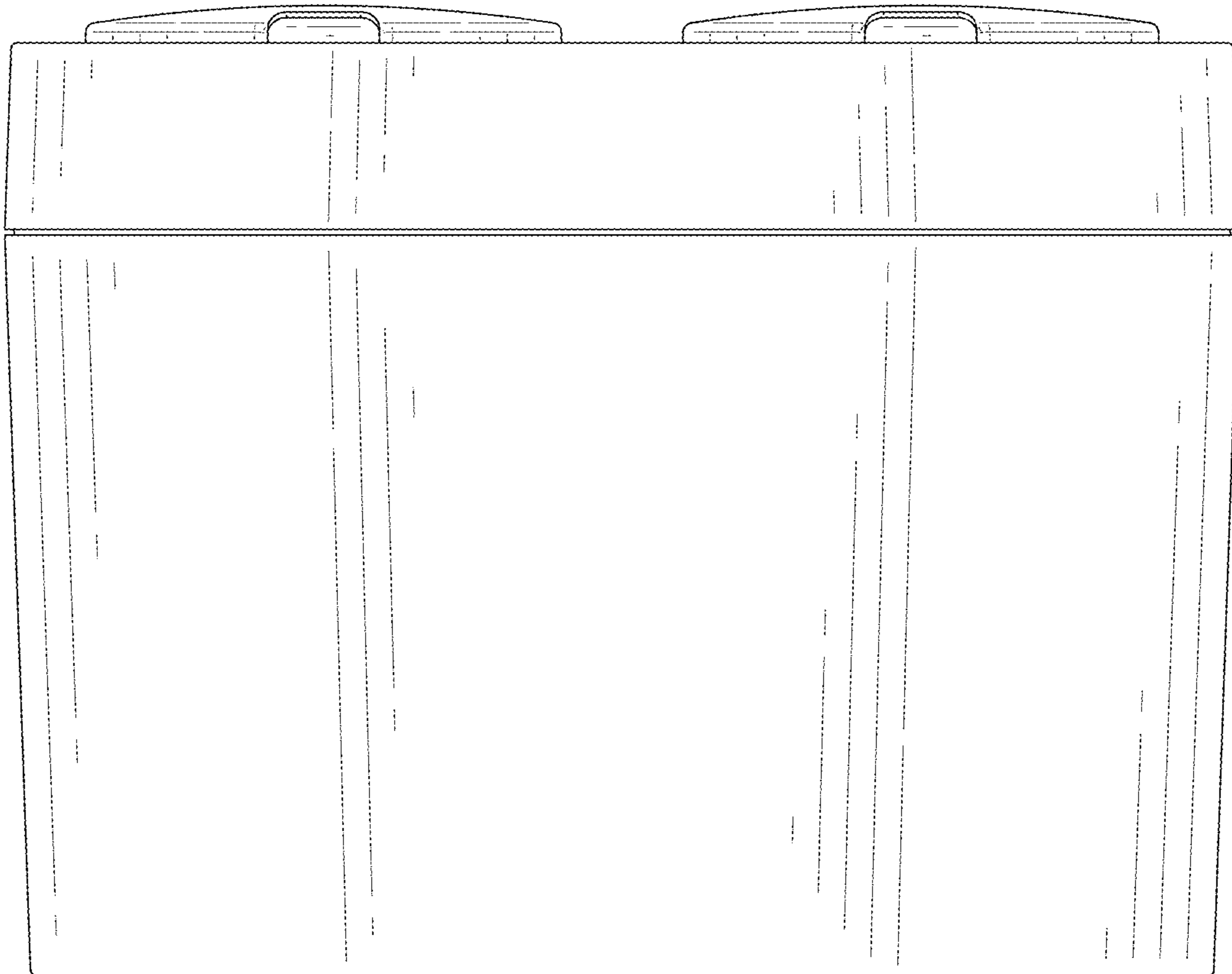


FIG. 3

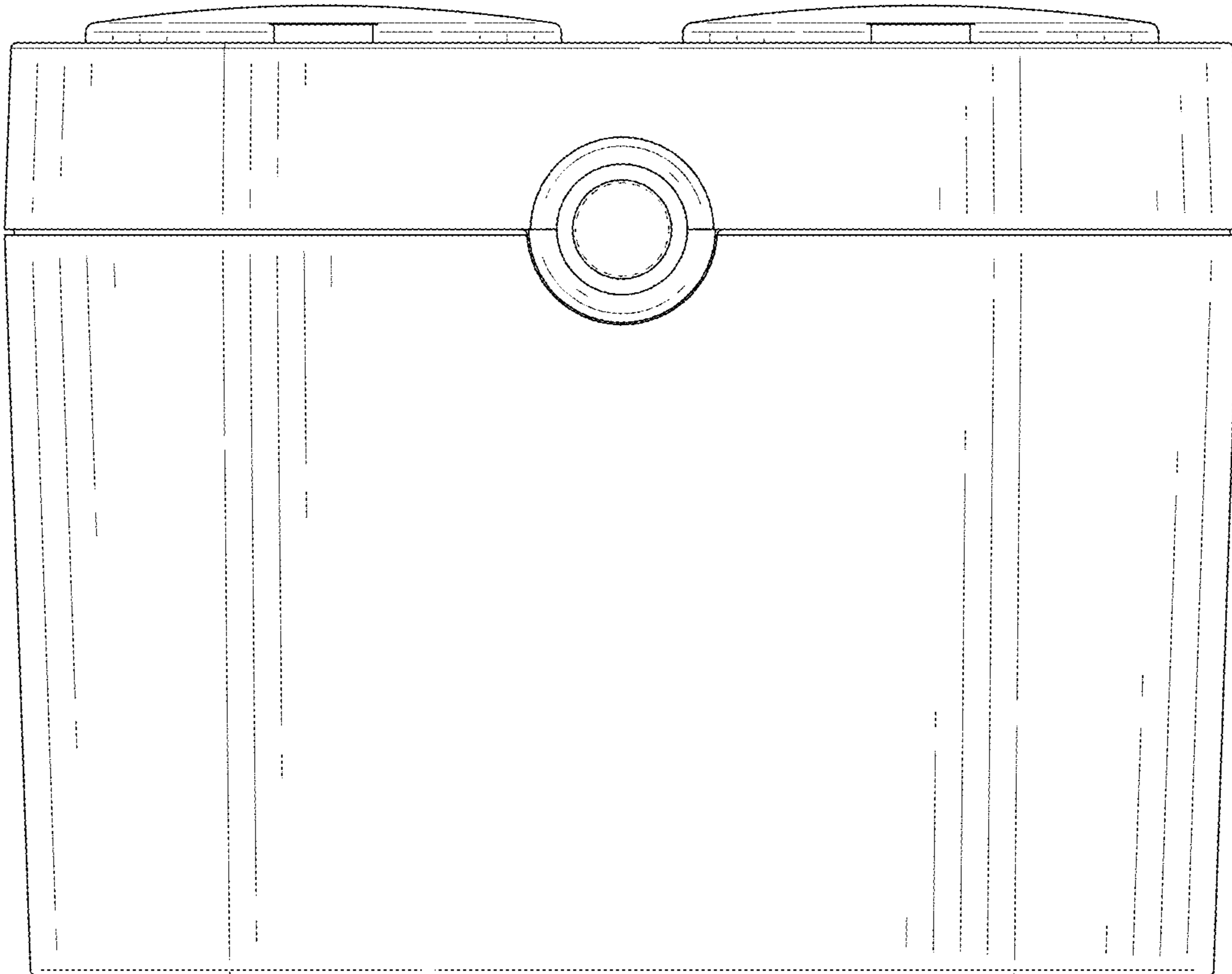


FIG. 4

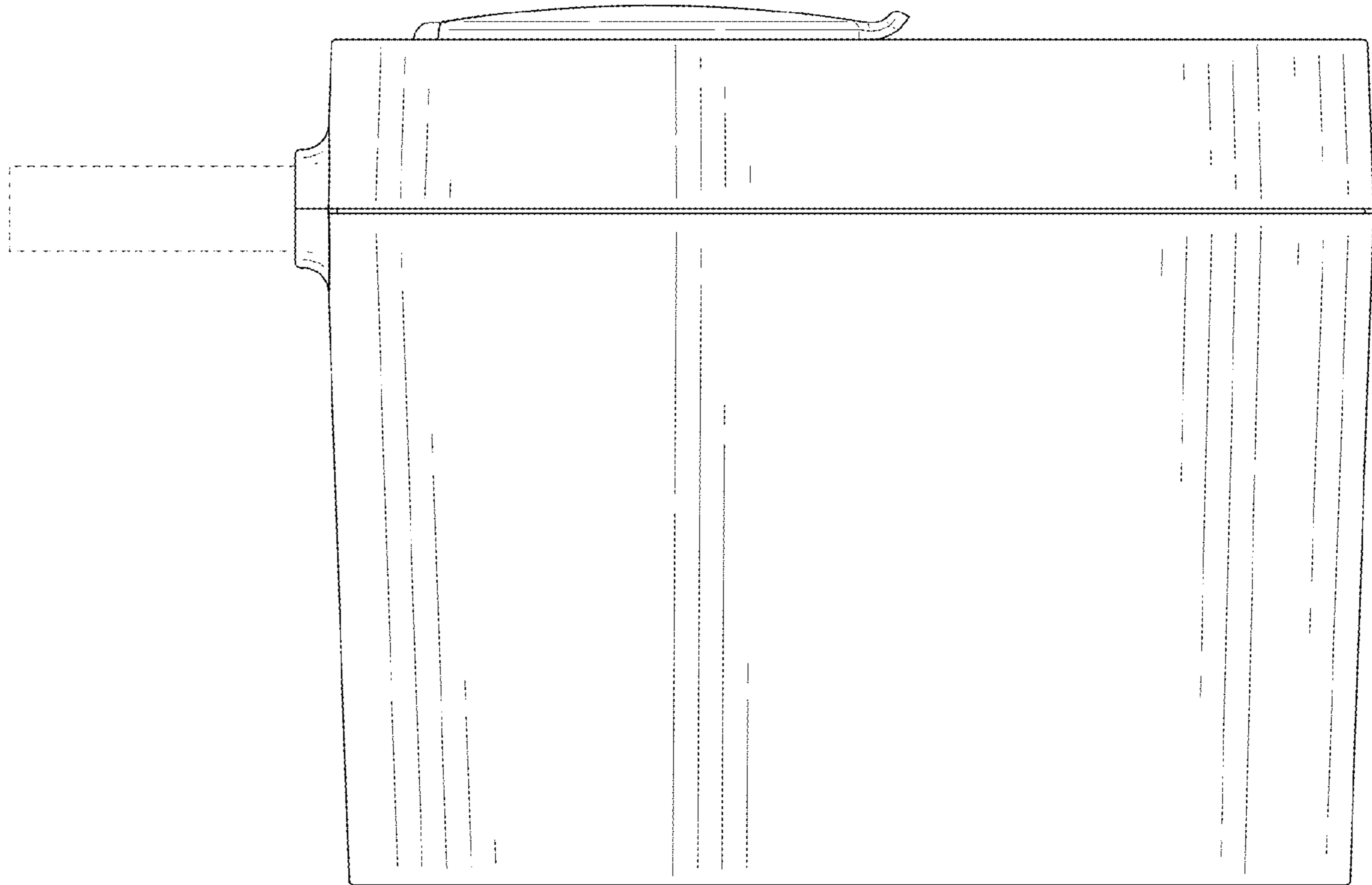


FIG. 5

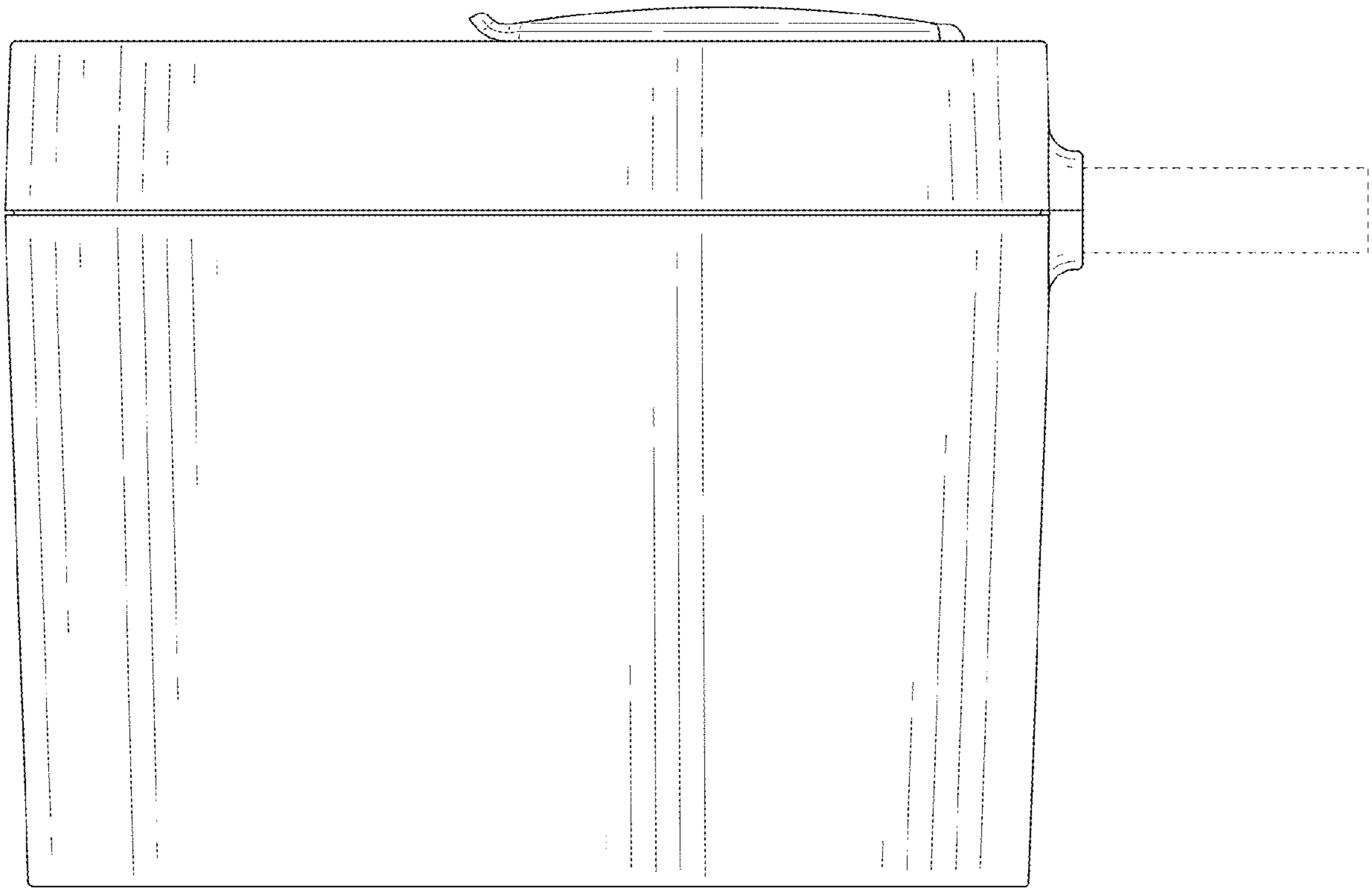


FIG. 6

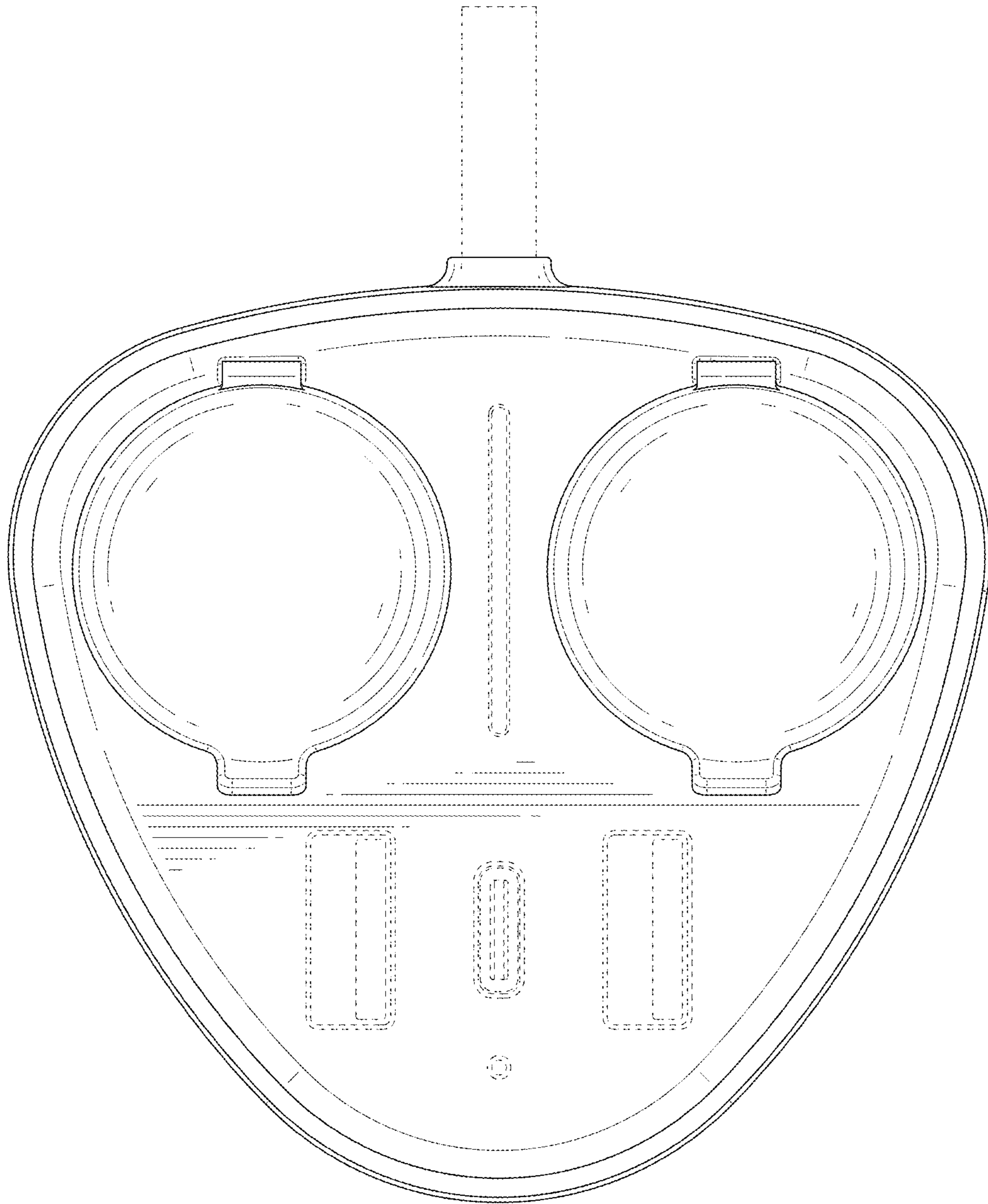


FIG. 7

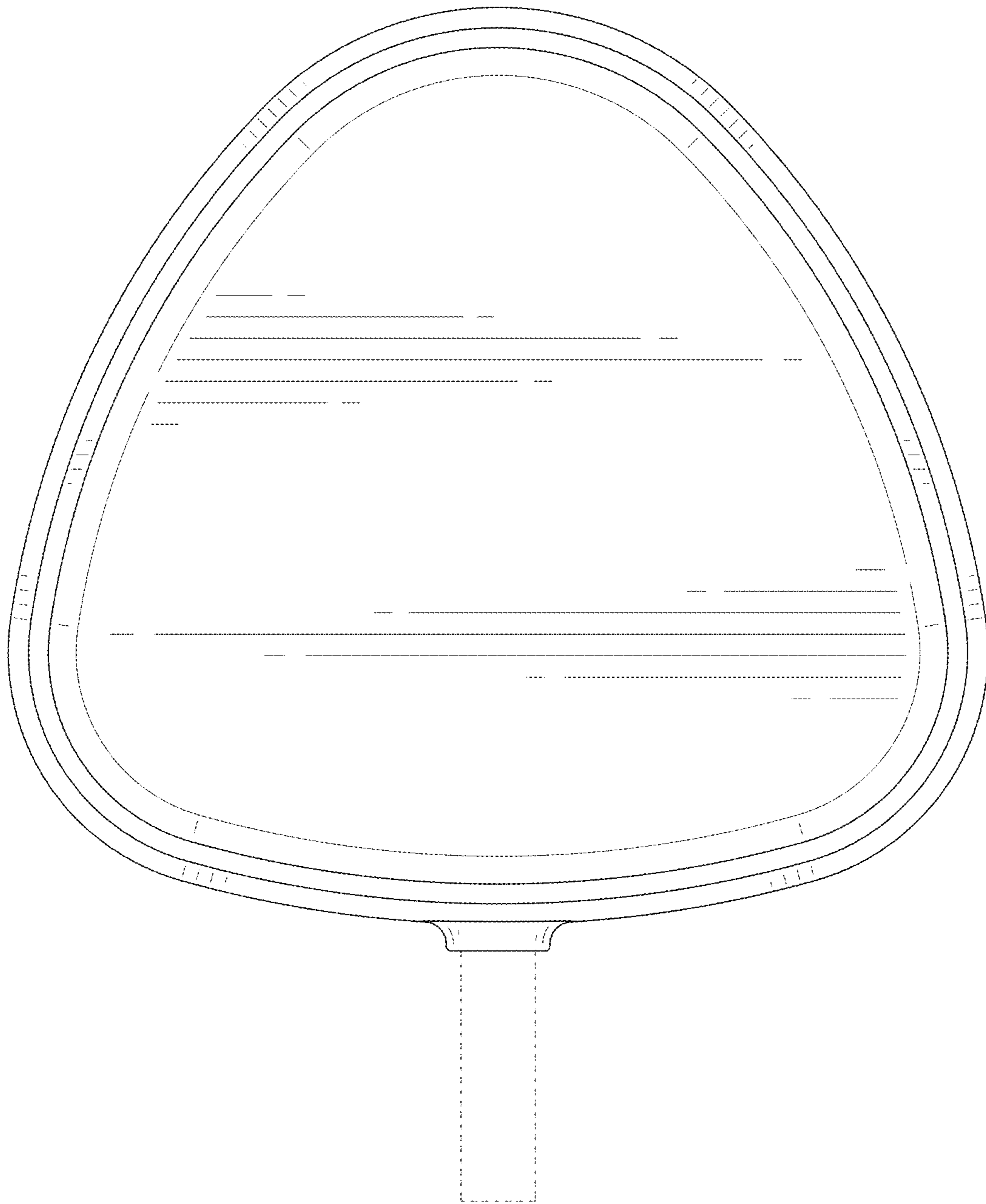


FIG. 8

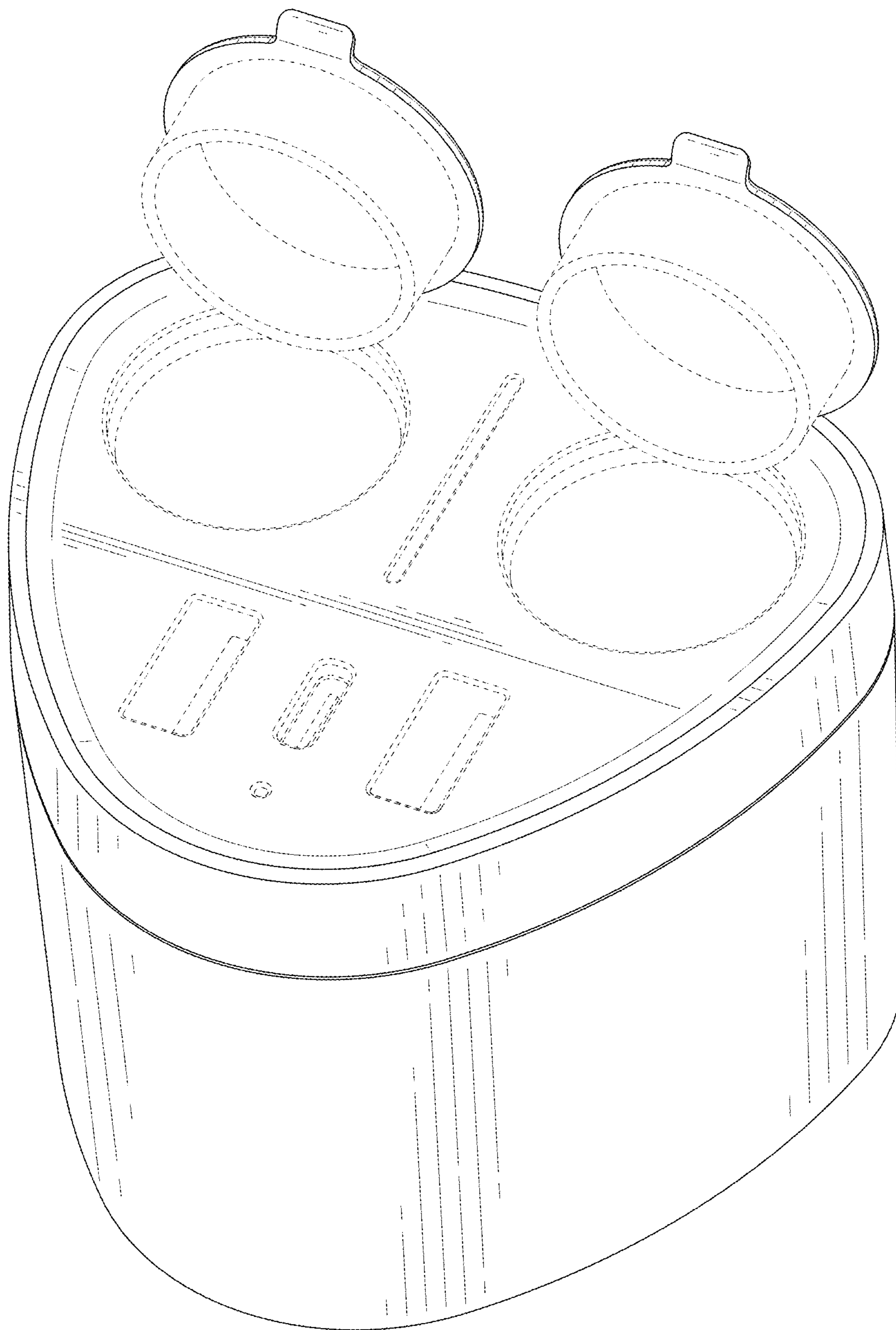


FIG. 9