



US00D925818S

(12) **United States Design Patent**
Pan

(10) **Patent No.:** **US D925,818 S**

(45) **Date of Patent:** **** Jul. 20, 2021**

(54) **DIVIDER OF LIGHTBAR**

(71) Applicant: **Juluen Enterprise Co. Ltd.**, New Taipei (TW)

(72) Inventor: **Sheng-Ming Pan**, New Taipei (TW)

(73) Assignee: **JULUEN ENTERPRISE CO., LTD.**, New Taipei (TW)

(**) Term: **15 Years**

(21) Appl. No.: **29/726,516**

(22) Filed: **Mar. 3, 2020**

(51) **LOC (13) Cl.** **26-05**

(52) **U.S. Cl.**
USPC **D26/141**

(58) **Field of Classification Search**
USPC D26/76, 78, 79, 80, 81, 82, 83, 85, 86,
D26/88, 90, 113, 118, 119, 120, 121, 122,
D26/138, 139, 140, 141, 142
CPC F21S 2/00; F21S 4/00; F21S 4/003; F21S
4/005; F21S 4/006; F21S 4/007; F21S
4/008; F21S 6/00; F21S 8/00; F21S
8/024; F21S 8/026; F21S 8/031; F21S
8/033; F21S 8/035-037; F21S 8/04; F21S
8/043; F21S 8/063

See application file for complete search history.

(56) **References Cited**

U.S. PATENT DOCUMENTS

D752,804 S * 3/2016 Williamson D26/141
D752,805 S * 3/2016 Williamson D26/141

10,598,371 B2 * 3/2020 Lyons B60Q 1/46
D887,033 S * 6/2020 Roys D26/1
2012/0243217 A1 * 9/2012 Szprengiel F21S 8/043
362/223
2014/0036491 A1 * 2/2014 Su F21V 23/06
362/217.17
2017/0268756 A1 * 9/2017 Chami F21V 15/015

* cited by examiner

Primary Examiner — Mark A Goodwin
Assistant Examiner — Benjamin M Weeks

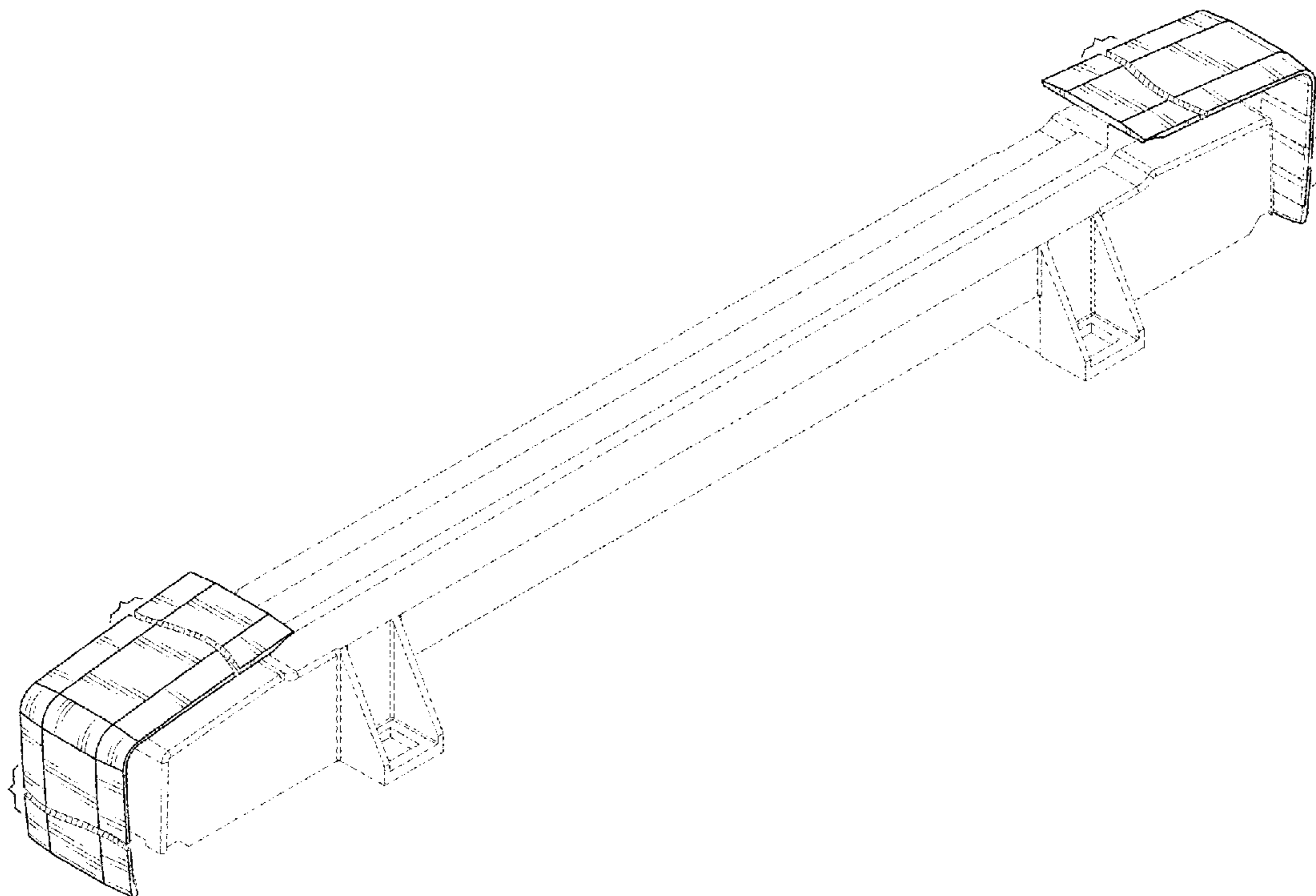
(57) **CLAIM**

The ornamental design for a divider of lightbar, as shown and described.

DESCRIPTION

FIG. 1 is a perspective view of a divider of lightbar showing my new design;
FIG. 2 is a front view thereof, the rear view being mirror symmetrical;
FIG. 3 is a left view thereof, the right view being mirror symmetrical;
FIG. 4 is a top view thereof;
FIG. 5 is a bottom view thereof; and,
FIG. 6 is a perspective view showing an in-use position.
In FIGS. 1-5, the broken lines depict portions of the divider of lightbar the form no part of the claimed design. In FIG. 6, the broken lines depict environmental structure that forms no part of the claimed design.
The separation and bracket indicate, for ease of illustration, that the precise length of the divider of lightbar is not claimed.

1 Claim, 6 Drawing Sheets



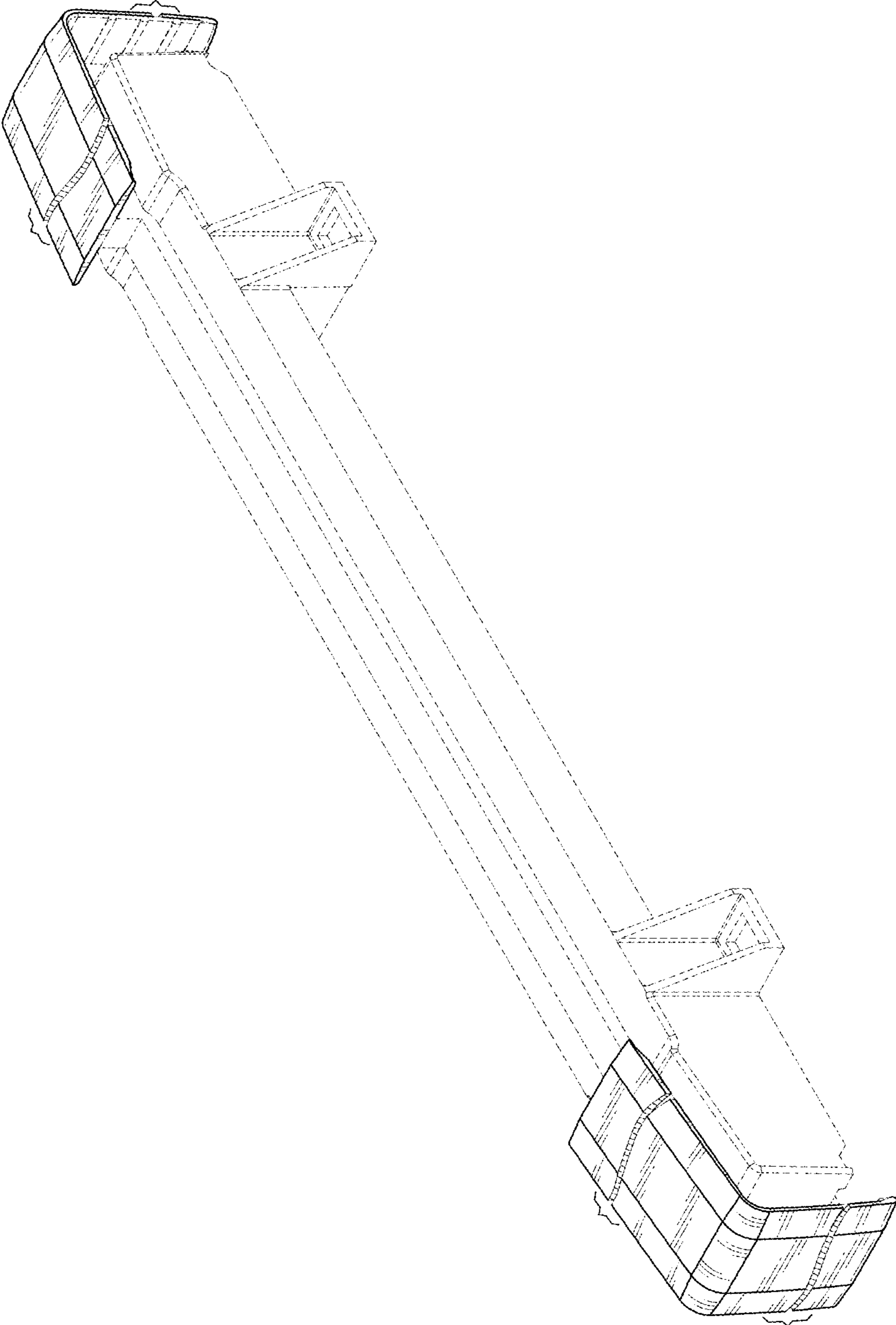


FIG. 1

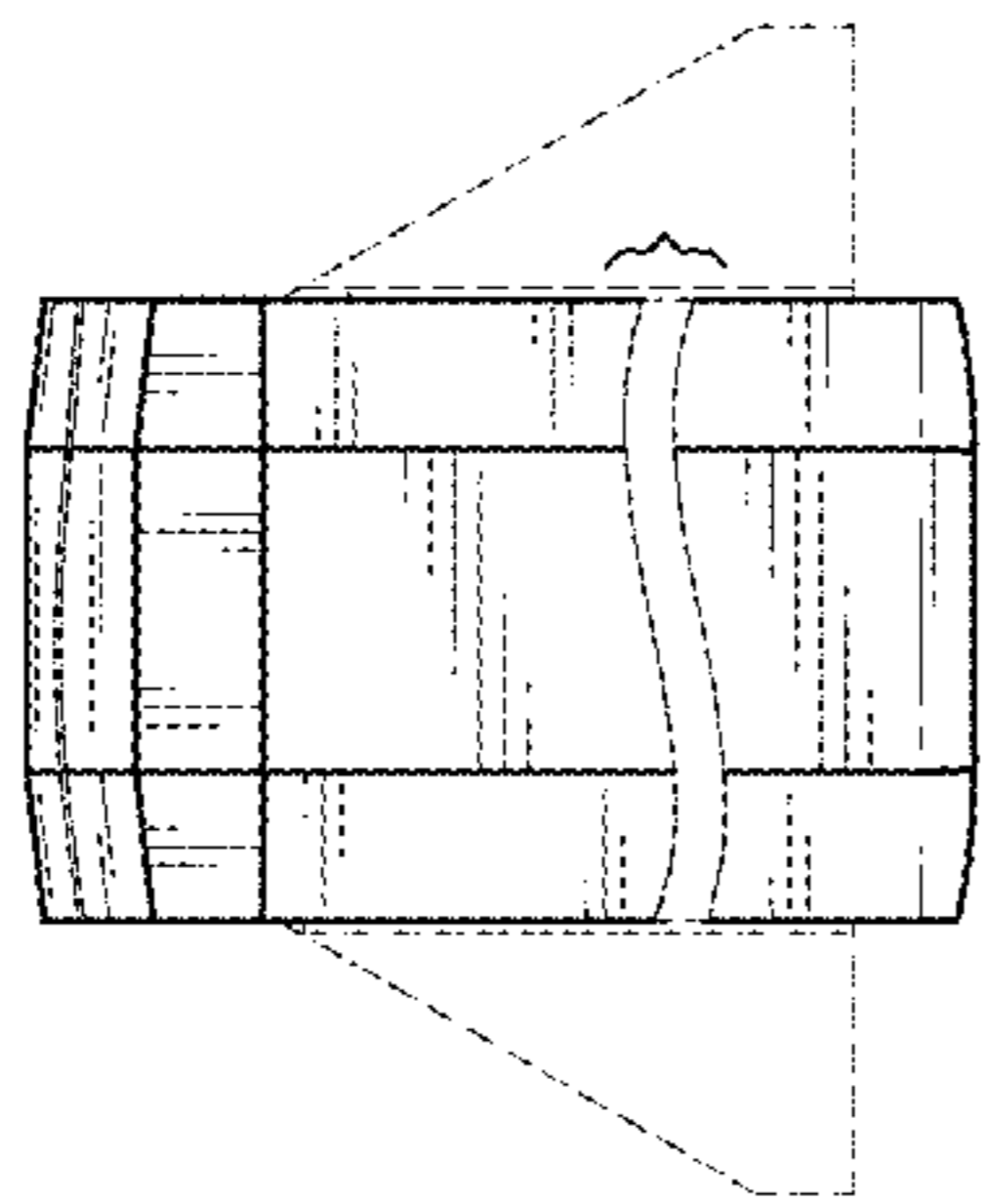


FIG. 2

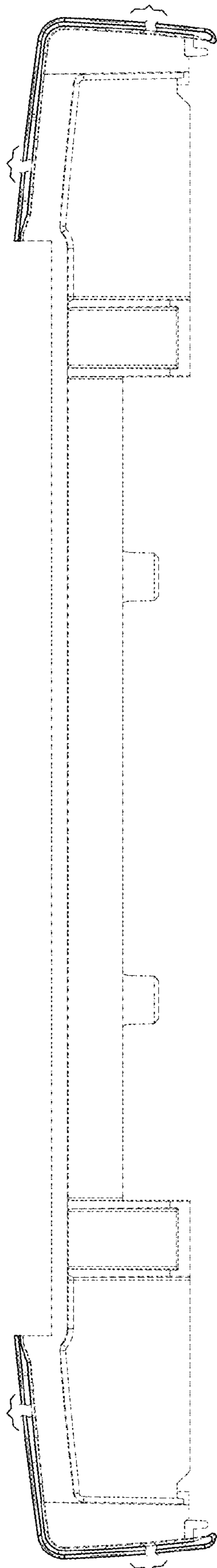


FIG. 3

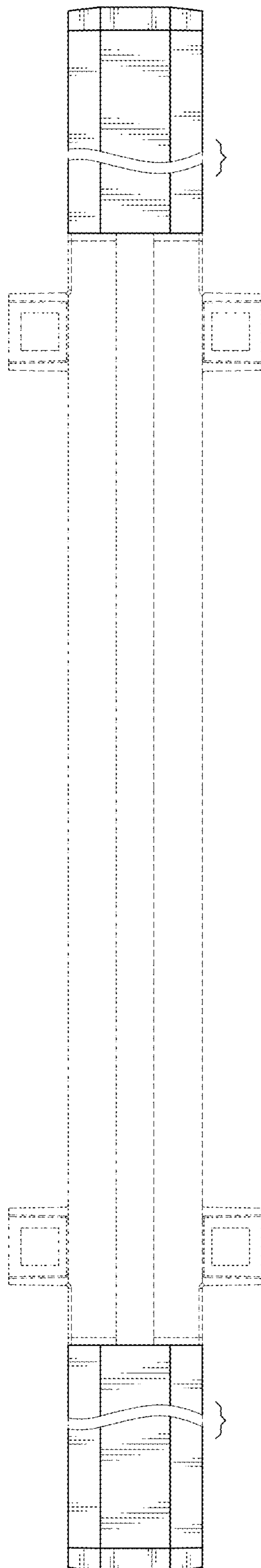


FIG. 4

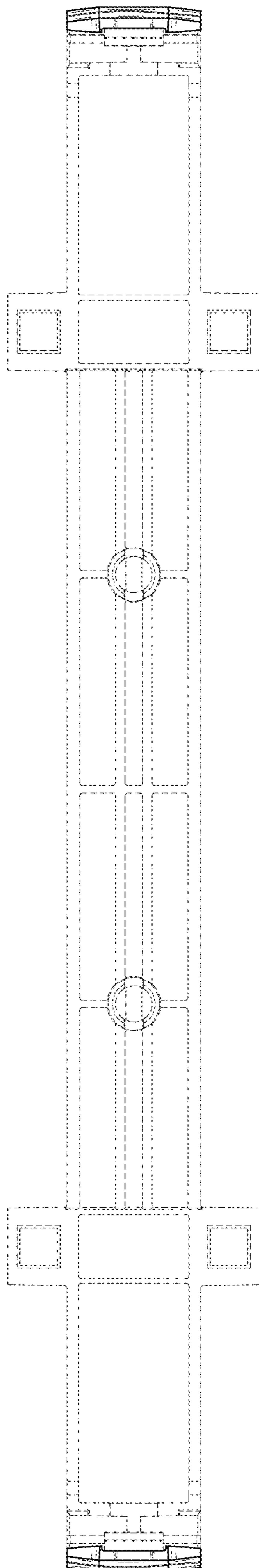


FIG. 5

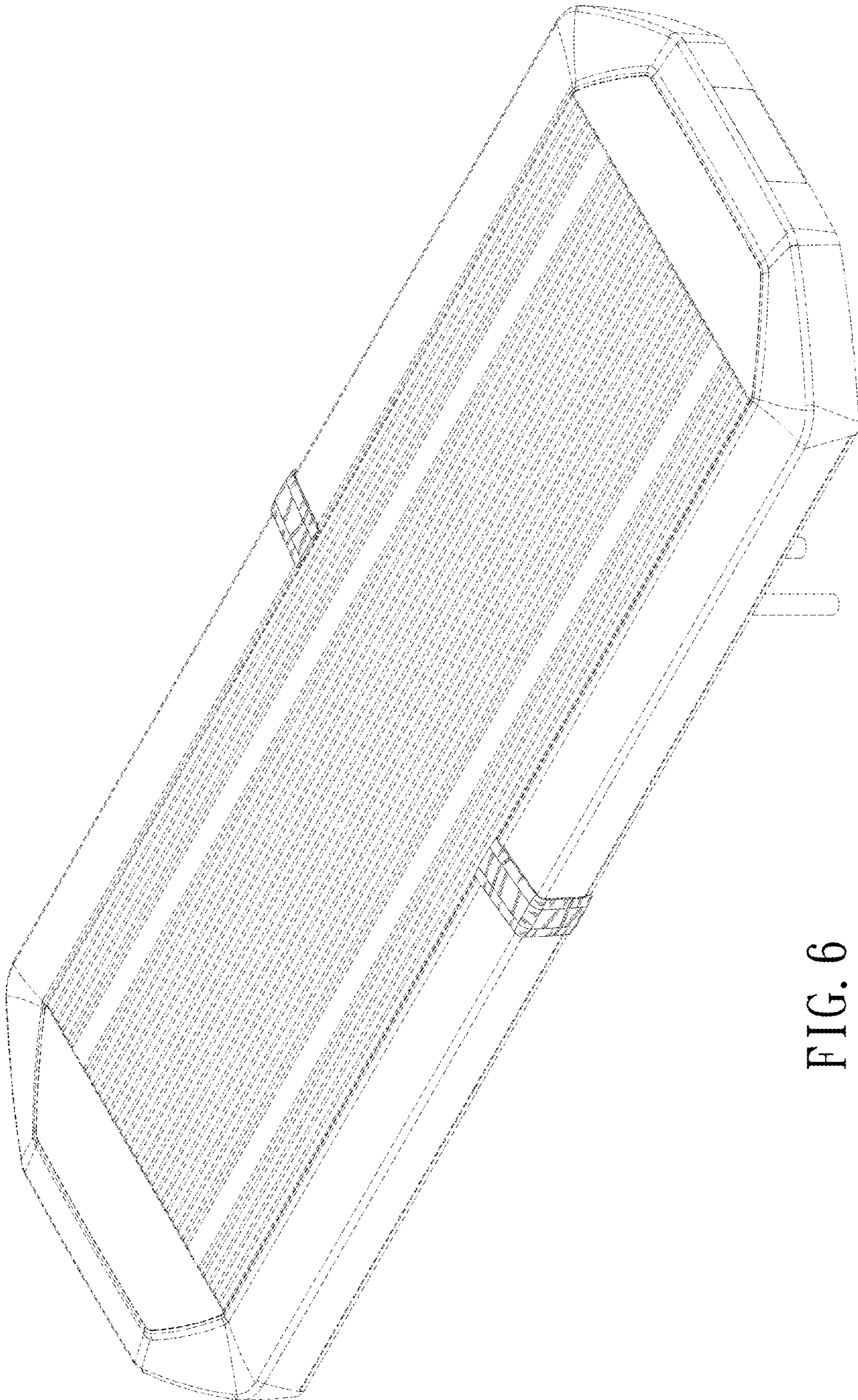


FIG. 6