



US00D925816S

(12) **United States Design Patent**  
**Geesaman**

(10) **Patent No.:** **US D925,816 S**  
(45) **Date of Patent:** **\*\* Jul. 20, 2021**

(54) **PORTABLE LIGHT HANGER**

(71) Applicant: **Kenneth Geesaman**, Penfield, NY (US)

(72) Inventor: **Kenneth Geesaman**, Penfield, NY (US)

(\*\*) Term: **15 Years**

(21) Appl. No.: **29/770,602**

(22) Filed: **Feb. 13, 2021**

(51) **LOC (13) Cl.** ..... **26-05**

(52) **U.S. Cl.**  
USPC ..... **D26/138**; D26/51

(58) **Field of Classification Search**  
USPC ..... D26/24, 26, 28, 37–52, 56, 60–61, 113,  
D26/118–119, 138, 140–142  
CPC .... F21S 4/10; F21S 8/026; F21S 8/033; F21S  
8/04; F21S 10/007; F21S 8/035; F21S  
8/063; F21S 8/081; F21S 9/03; F21S  
9/02; F21S 8/031; F21S 9/037; F21S  
41/125; F21S 41/141; F21S 41/19; F21S  
41/28; F21S 41/635; F21S 43/14; F21S  
43/19; F21S 43/26; F21S 4/28; F21S  
6/002; F21S 8/036; F21S 8/061; F21Y  
2115/10; F21Y 2115/30; F21Y 2113/00;  
F21Y 2113/13; F21Y 2103/10; F21Y  
2103/33; F21Y 2105/10; F21Y 2105/12;  
F21Y 2105/18;

(Continued)

(56) **References Cited**

**U.S. PATENT DOCUMENTS**

D406,383 S \* 3/1999 Adams ..... D26/138  
D524,976 S \* 7/2006 Hodgson ..... D26/56

(Continued)

*Primary Examiner* — Marissa J Cash  
*Assistant Examiner* — William B Melliar

(74) *Attorney, Agent, or Firm* — Tracy Jong Law Firm;  
Tracy P. Jong; Cheng Ning Jong

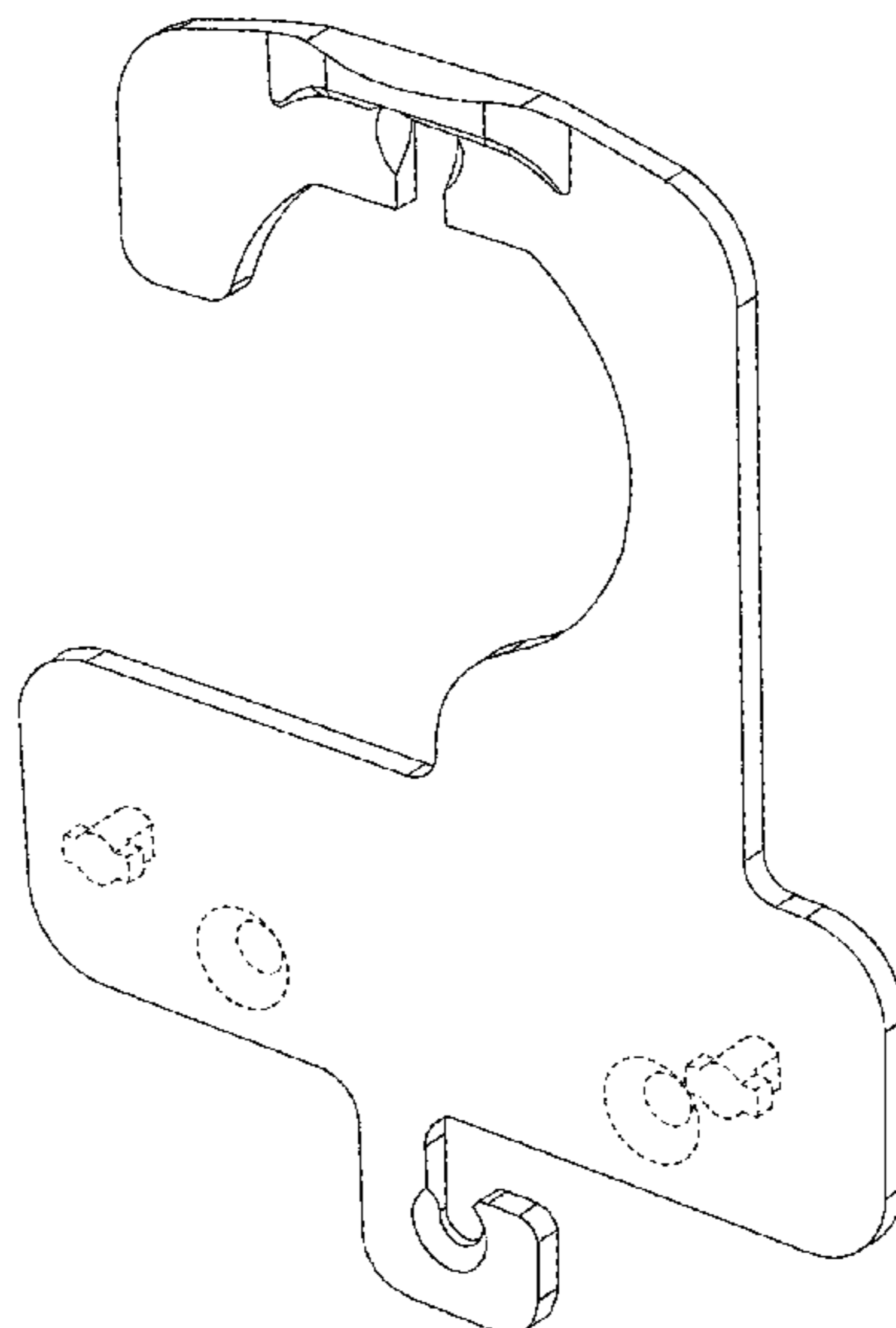
(57) **CLAIM**

The ornamental design for a portable light hanger, as shown and described.

**DESCRIPTION**

FIG. 1 is a front view of a portable light hanger showing the new design;  
FIG. 2 is a rear view thereof;  
FIG. 3 is a left side view thereof;  
FIG. 4 is a right side view thereof;  
FIG. 5 is a top view thereof;  
FIG. 6 is a bottom view thereof;  
FIG. 7 is a top front perspective view thereof;  
FIG. 8 is a bottom front perspective view thereof;  
FIG. 9 is a top rear perspective view thereof;  
FIG. 10 is a bottom rear perspective view thereof;  
FIG. 11 is a front view of said portable light hanger shown in an environment of use coupled to a light;  
FIG. 12 is a rear view of said portable light hanger shown in an environment of use coupled to a light;  
FIG. 13 is a bottom front perspective view of said portable light hanger shown in an environment of use coupled to a light;  
FIG. 14 is a front view of said portable light hanger shown in an environment of use secured to an electrical receptacle with a fastener;  
FIG. 15 is a front view of said portable light hanger shown in an alternate configuration of use, in an environment of use coupled to a light;  
FIG. 16 is a rear view of said portable light hanger shown in an alternate configuration of use, in an environment of use coupled to a light; and,  
FIG. 17 is a front view of said portable light hanger shown in an alternate configuration of use, in an environment of use secured to an electrical receptacle with a fastener.  
The broken lines shown in the drawings depict portions of the portable light hanger that form no part of the claimed design. The additional broken lines shown in FIGS. 11-17 illustrate environment and form no part thereof.

**1 Claim, 13 Drawing Sheets**



(58) **Field of Classification Search**

CPC . F21Y 2107/20; F21L 4/08; F21L 4/00; F21L 4/02; F21L 4/04; F21L 4/027; F21L 4/045; F21L 14/04; F21L 13/00; F21L 14/00; F21L 4/005; F21L 14/02; F21L 2001/00; F21L 2/00; F21L 4/025; F21V 21/145; F21V 21/0965; F21V 23/0414; F21V 23/0428; F21V 15/01; F21V 21/26; F21V 21/08; F21V 21/22; F21V 23/0407; F21V 21/0832; F21V 21/0885; F21V 23/06; F21V 5/006; F21V 23/002; F21V 31/005; F21V 7/0075; F21V 17/02; F21V 21/02; F21V 21/06; F21V 23/04; F21V 23/0421; F21V 23/0435; F21V 7/0091; F21V 13/04; F21V 14/00; F21V 17/002; F21V 21/30; F21V 21/406; F21V 29/70; F21V 5/04; F21V 13/045; F21V 14/065; F21V 15/04; F21V 19/0015; F21V 19/0035; F21V 19/004; F21V 19/02; F21V 21/29; F21V 23/00; F21V 23/0442; F21V 23/0471; F21V 9/083; F21V 11/10; F21V 14/025; F21V 14/045; F21V 14/085; F21V 15/012; F21V 15/013; F21V 17/007; F21V 17/107; F21V 17/12; F21V 17/162; F21V 17/18; F21V 1/00; F21V 1/14; F21V 1/143; F21V 1/16; F21V 21/0808; F21V 21/0816; F21V 21/0824; F21V 21/084; F21V 21/088;

F21V 21/092; F21V 21/096; F21V 21/16; F21V 21/24; F21V 21/34; F21V 21/40; F21V 23/009; F21V 23/023; F21V 23/0464; F21V 23/0492; F21V 25/12; F21V 27/02; F21V 29/503; F21V 29/505; F21V 29/507; F21V 29/763; F21V 29/83; F21V 29/89; F21V 33/00; F21V 33/0016; F21V 33/0076; F21V 3/00; F21V 3/02; F21V 3/06; F21V 3/061; F21V 5/002; F21V 5/008; F21V 5/043; F21V 5/045; F21V 5/048; F21V 7/06

See application file for complete search history.

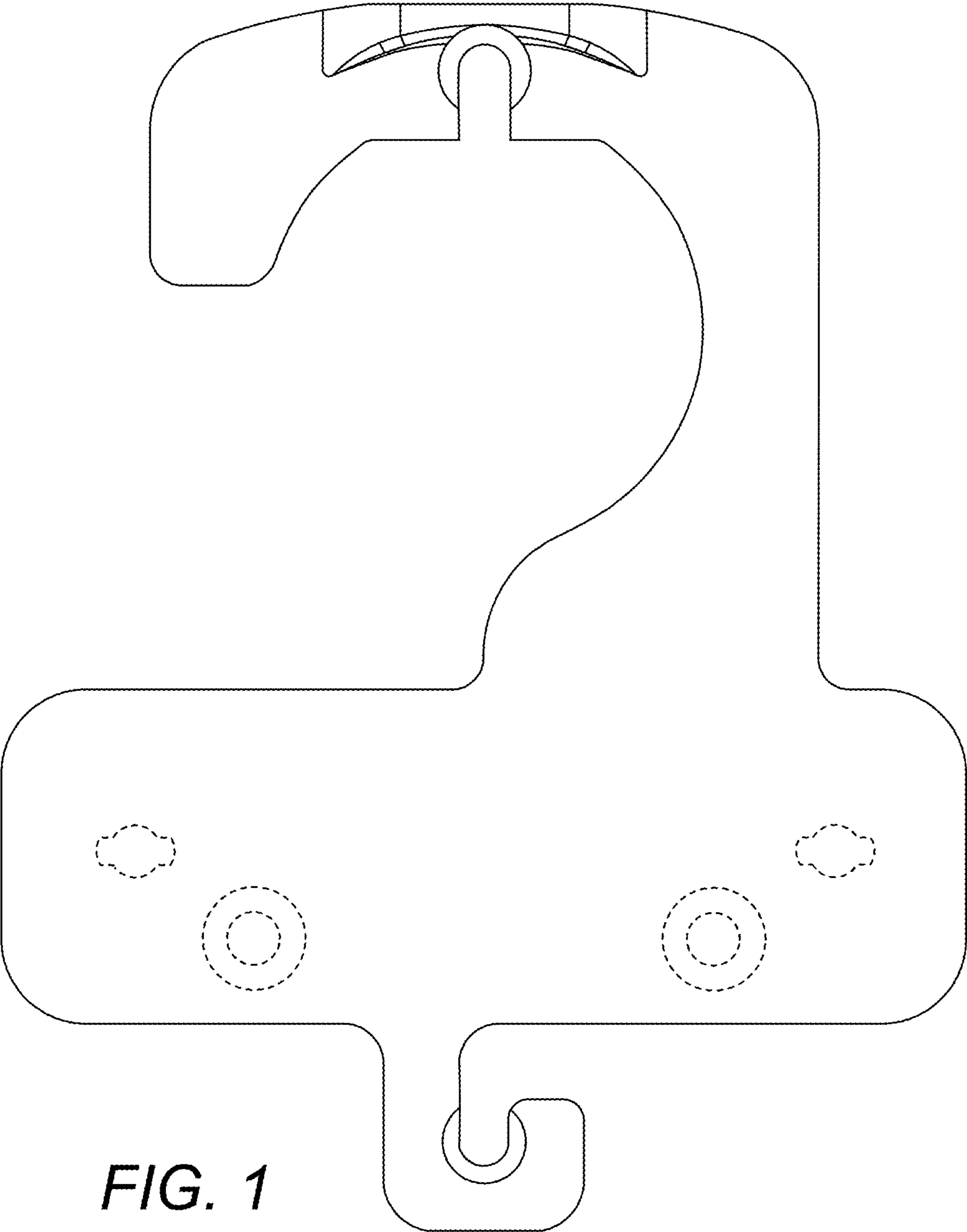
(56)

**References Cited**

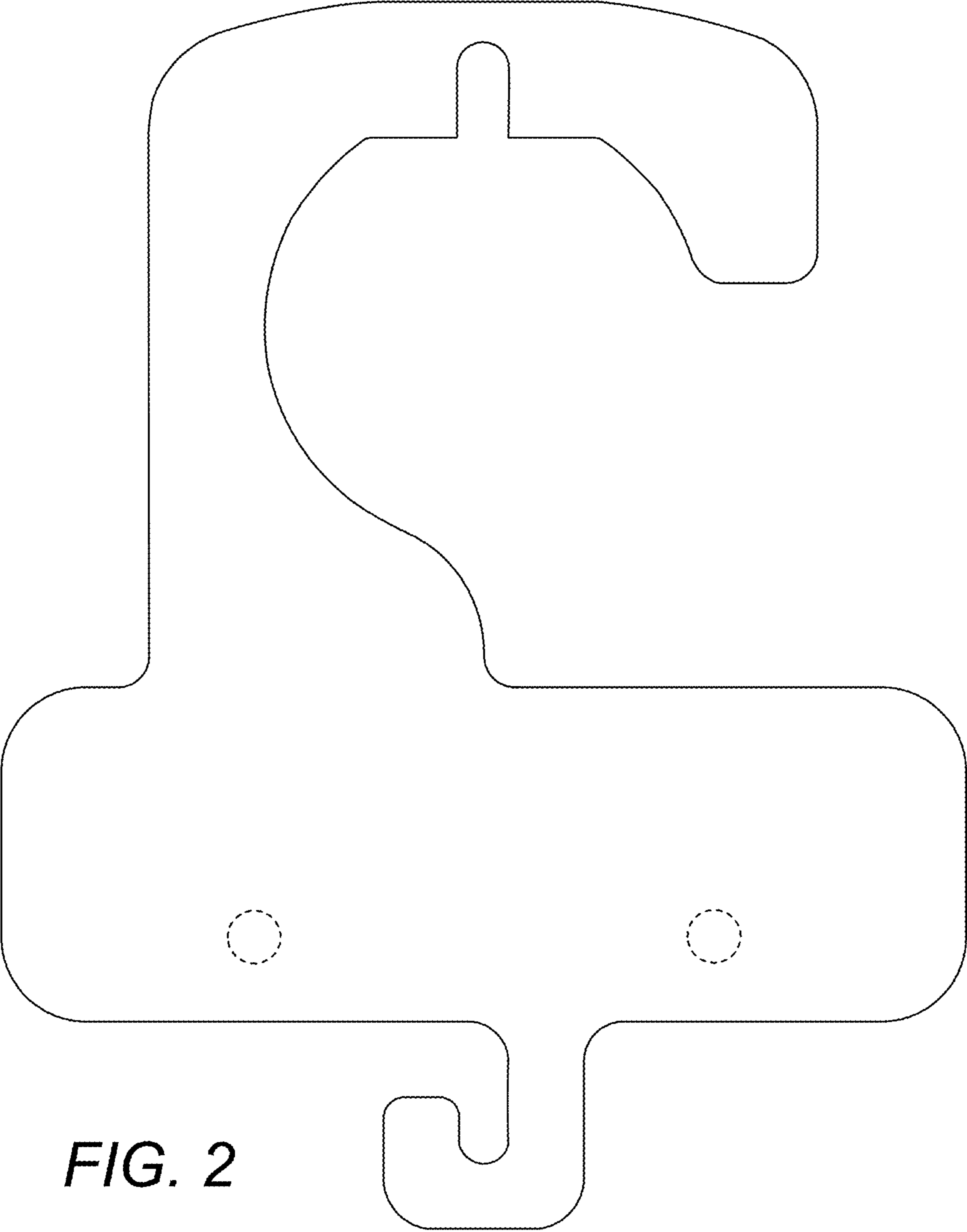
U.S. PATENT DOCUMENTS

D617,025	S *	6/2010	Levine .....	D26/50
D737,491	S *	8/2015	Shen .....	D26/50
D738,022	S *	9/2015	Shen .....	D26/50
D779,312	S *	2/2017	Stanley .....	D8/373
D789,595	S *	6/2017	Stanley .....	D26/138
D789,596	S *	6/2017	Sonneman .....	D26/138
D814,085	S *	3/2018	Ohara .....	D26/41
D876,713	S *	2/2020	Rothbauer .....	D26/138
D903,188	S *	11/2020	Kruger .....	D26/138
2010/0108628	A1 *	5/2010	Oh .....	A47F 5/0823 211/123
2020/0337488	A1 *	10/2020	Mitchell .....	F21V 23/0471

\* cited by examiner

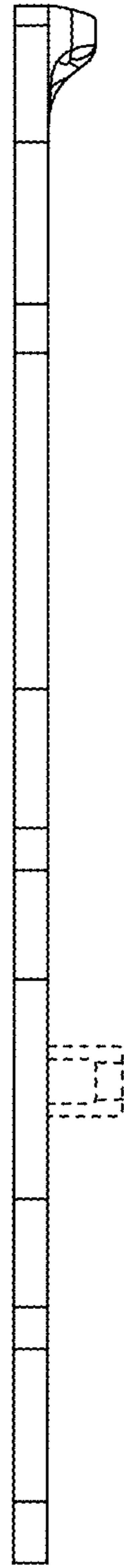


**FIG. 1**



**FIG. 2**

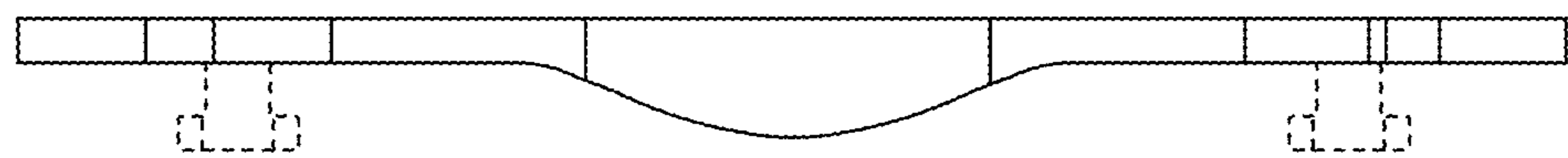
*FIG. 3*



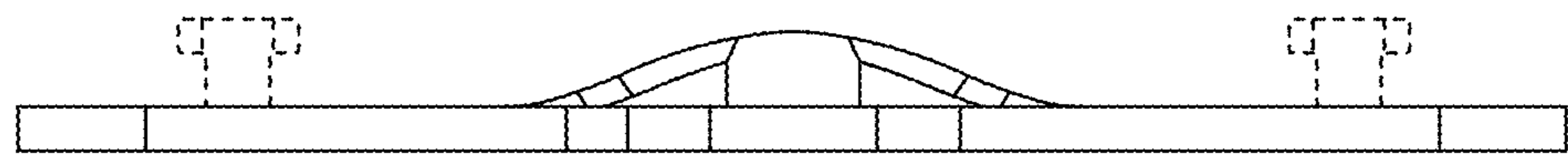
*FIG. 4*

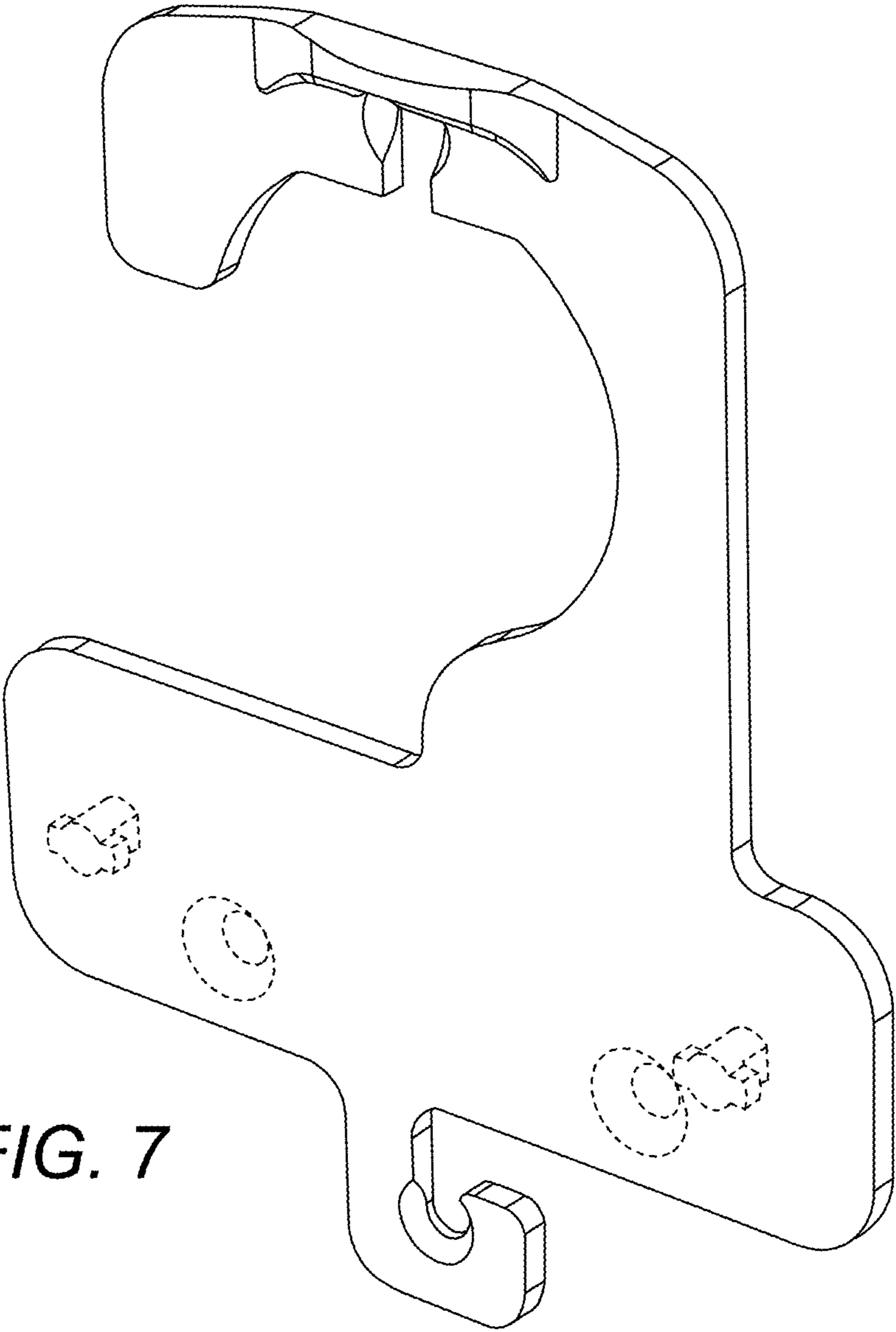


*FIG. 5*

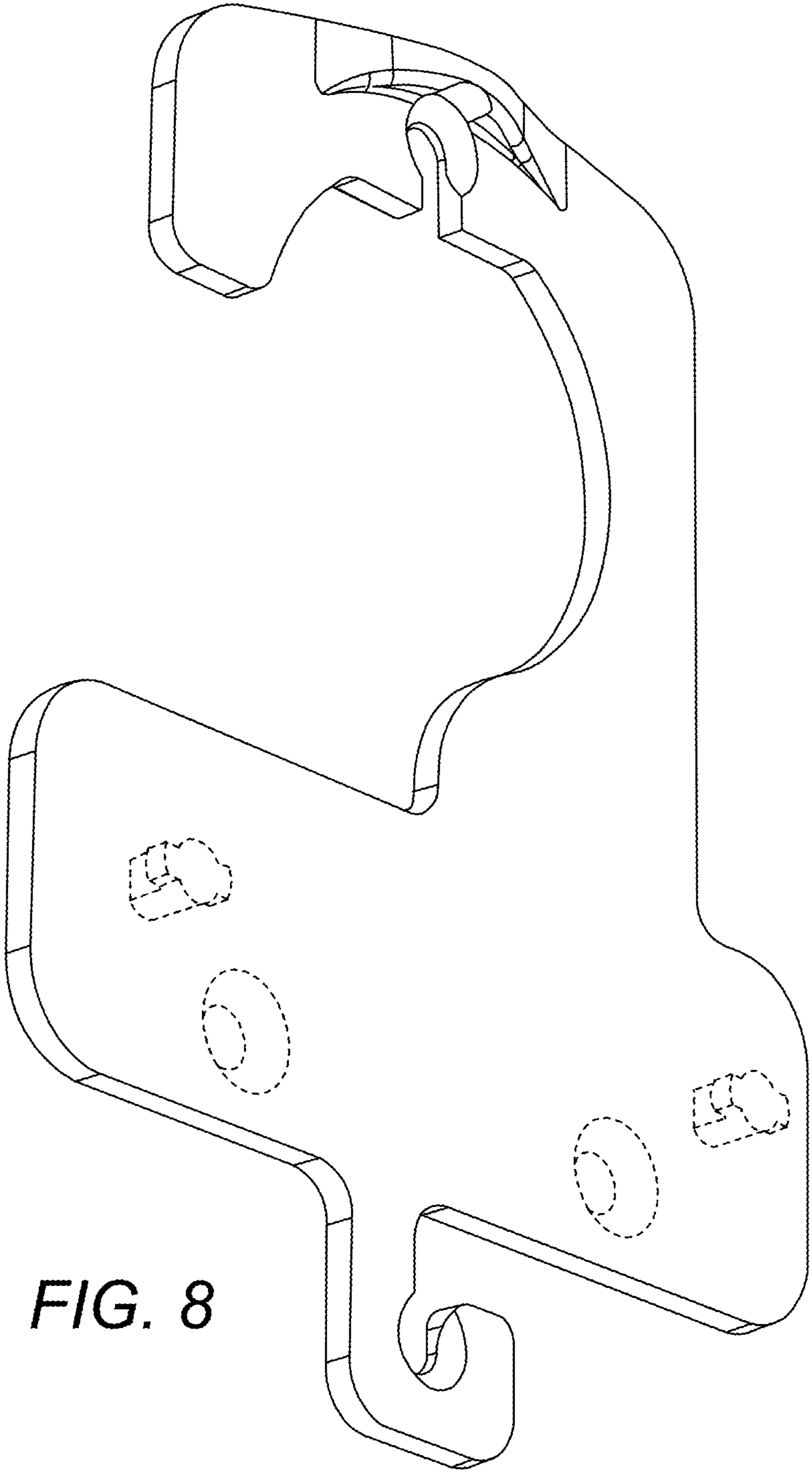


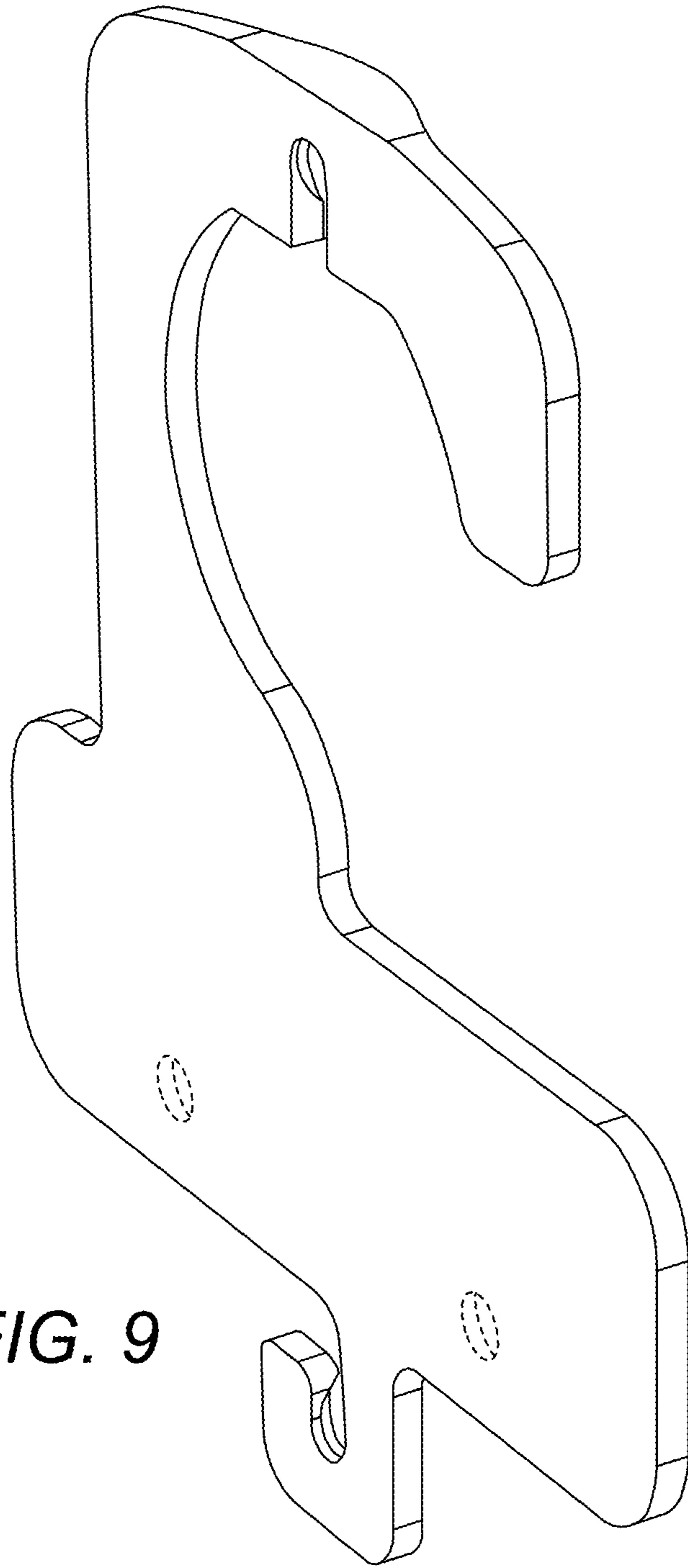
*FIG. 6*





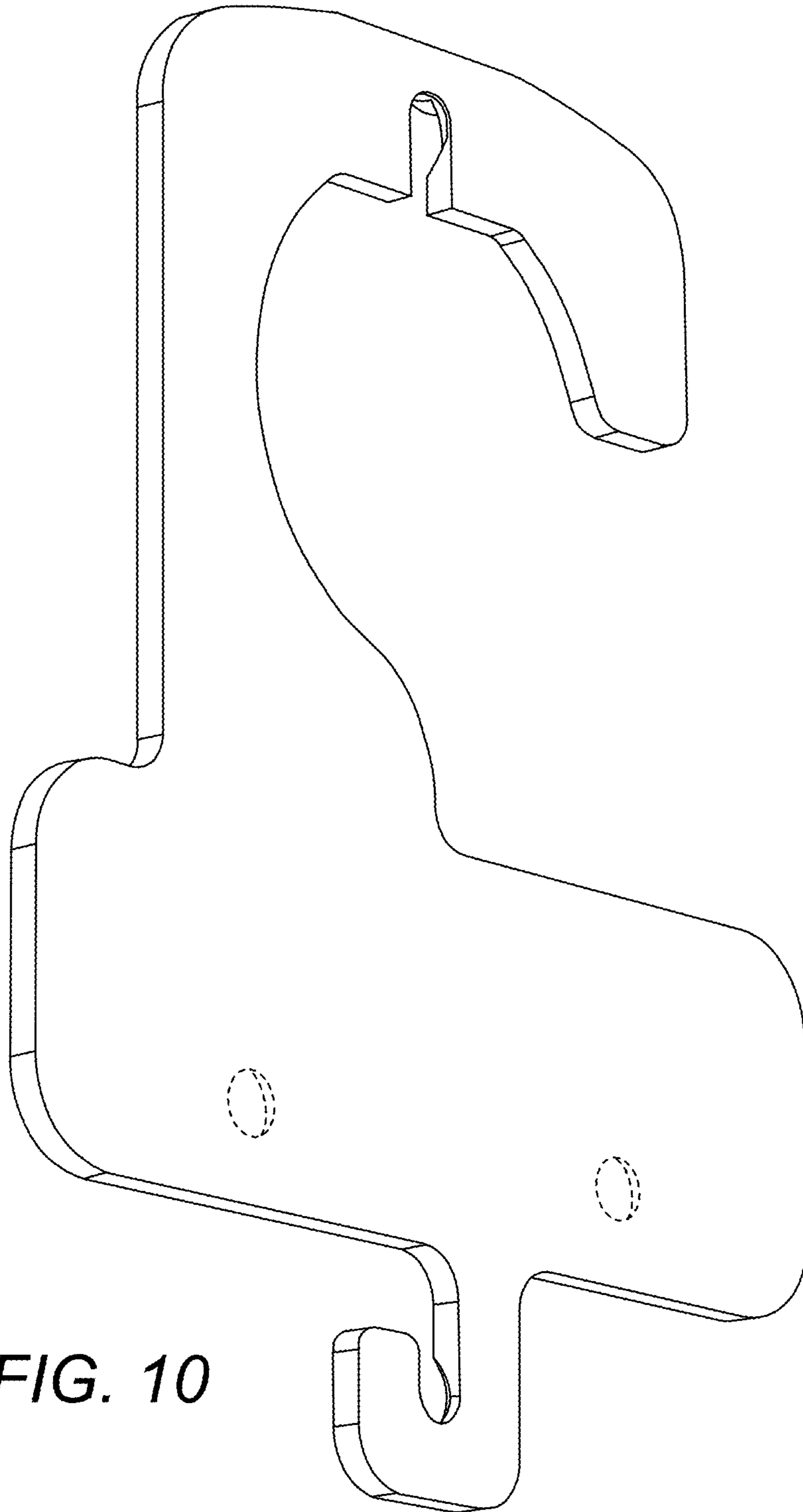
**FIG. 7**





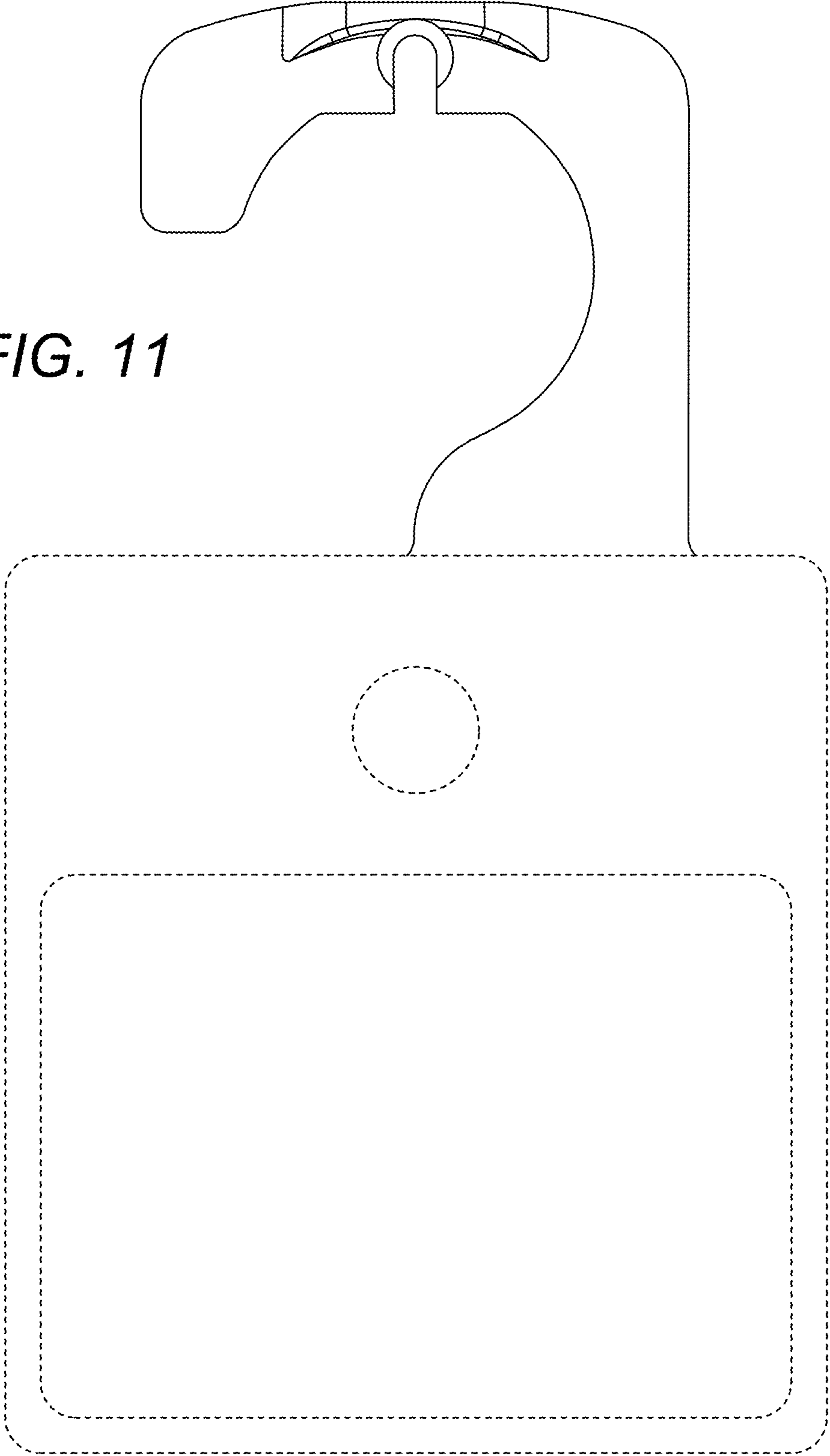
**FIG. 9**

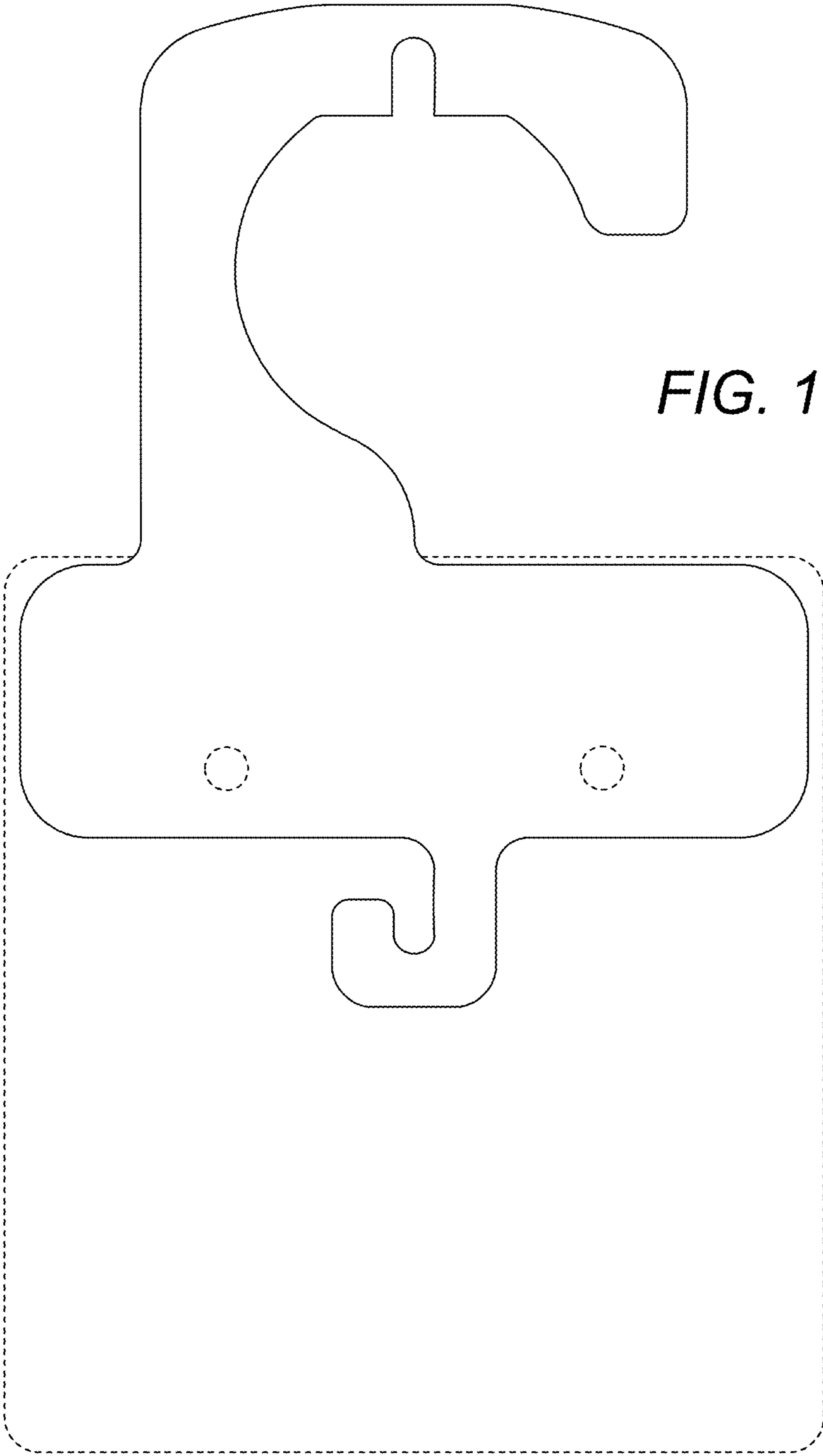




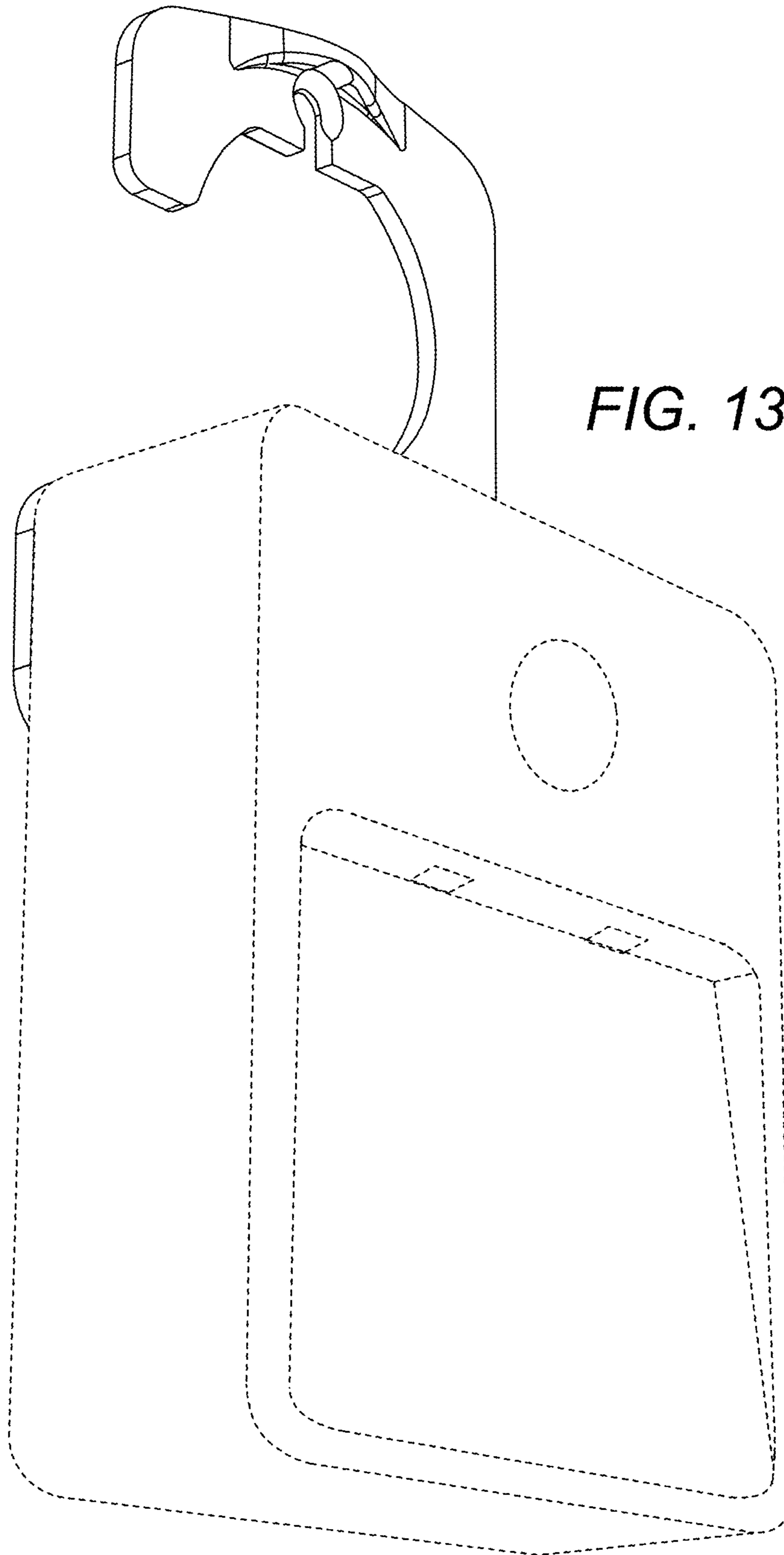
**FIG. 10**

*FIG. 11*

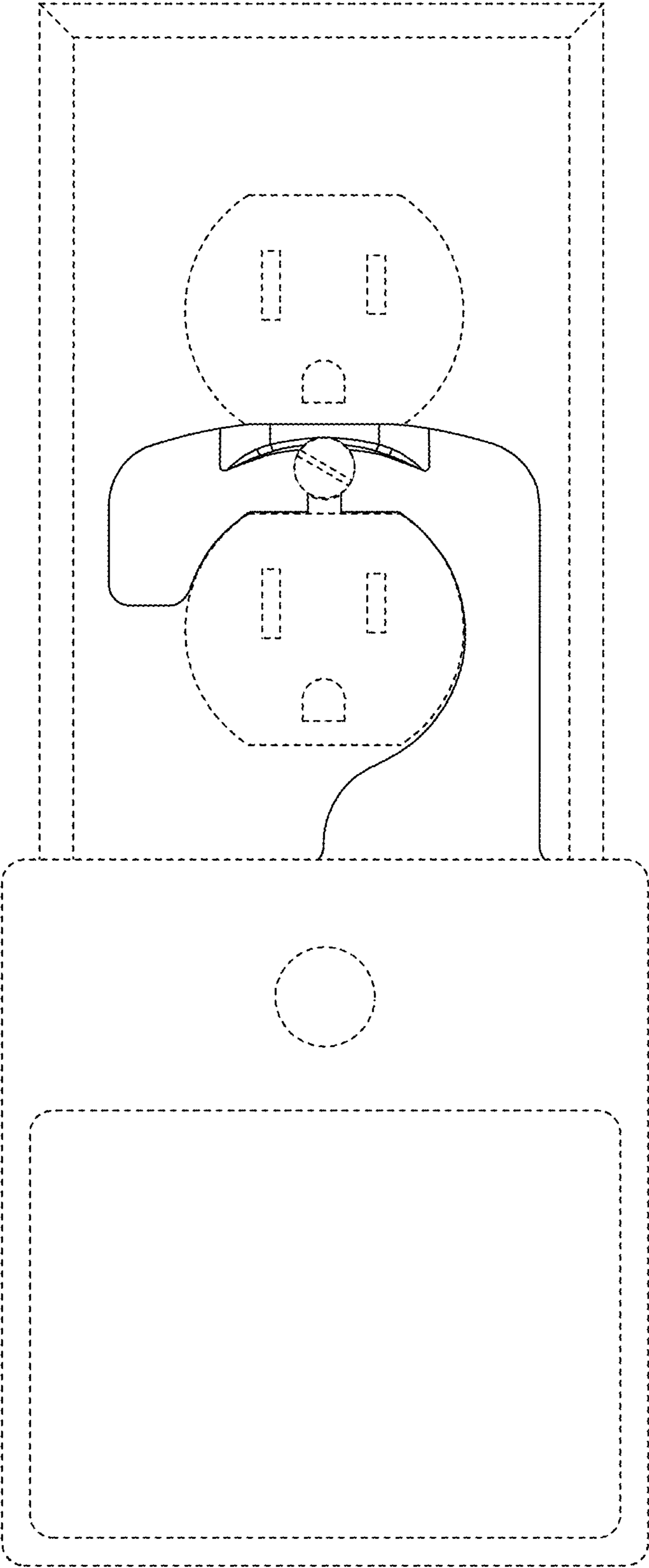




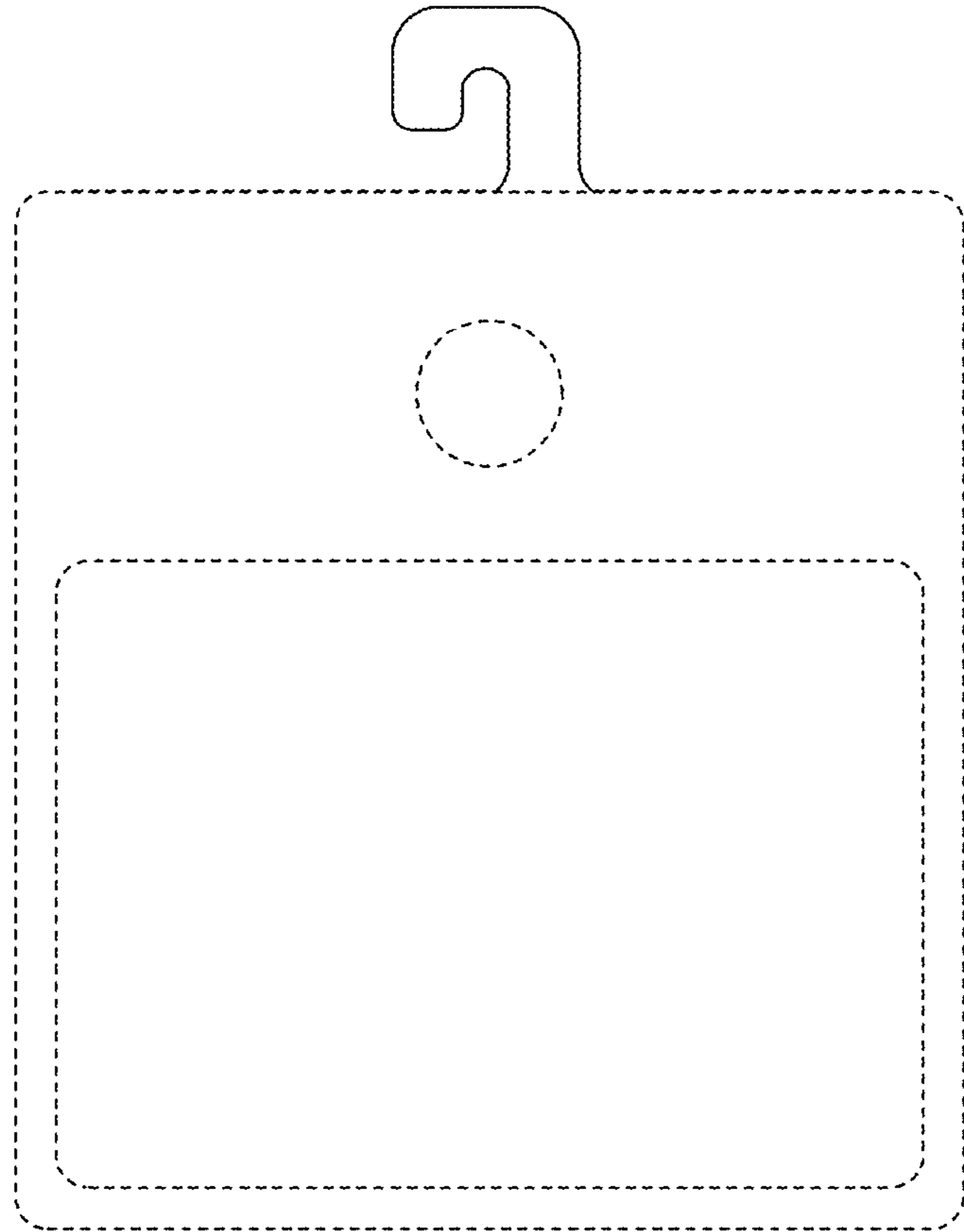
*FIG. 12*



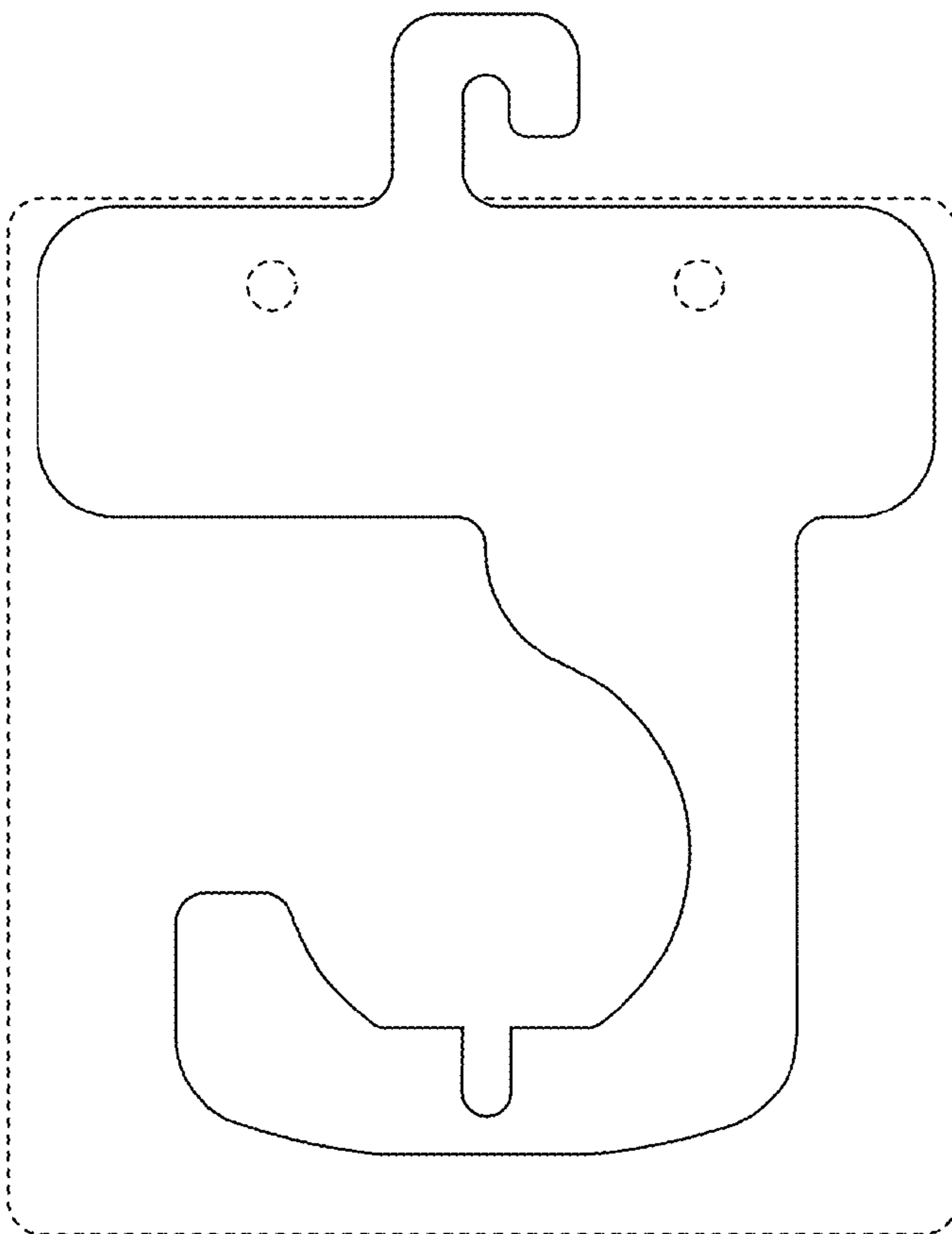
*FIG. 14*

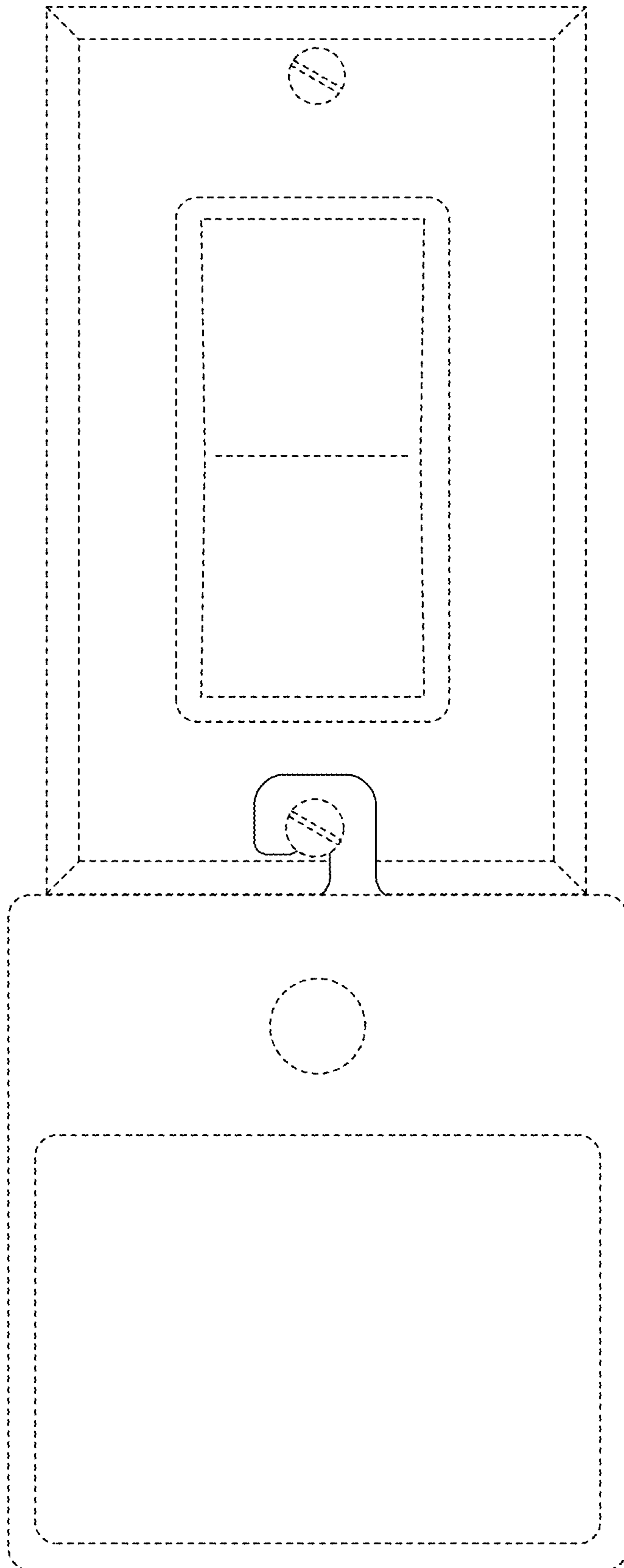


*FIG. 15*



*FIG. 16*





*FIG. 17*