



US00D925815S

(12) **United States Design Patent** (10) **Patent No.:** **US D925,815 S**
Hsu (45) **Date of Patent:** **** Jul. 20, 2021**

(54) **LAMP HOLDER**

(56) **References Cited**

(71) Applicant: **Dong Guan Jia Sheng Lighting Technology Co., Ltd. China, Dong-Guna (CN)**

(72) Inventor: **Kevin Hsu, Taichung (TW)**

(73) Assignee: **Dong Guan Jia Sheng Lighting Technology Co., Ltd. China, Guang-Dong (CN)**

(**) Term: **15 Years**

(21) Appl. No.: **29/721,088**

(22) Filed: **Jan. 17, 2020**

(51) **LOC (13) Cl.** **26-05**

(52) **U.S. Cl.**
USPC **D26/138**

(58) **Field of Classification Search**
USPC D26/76, 78, 79, 80, 81, 82, 83, 85, 86, D26/88, 90, 113, 118, 119, 120, 121, 122, D26/138, 139, 140, 141, 142
CPC F21S 2/00; F21S 4/00; F21S 4/003; F21S 4/005; F21S 4/006; F21S 4/007; F21S 4/008; F21S 6/00; F21S 8/00; F21S 8/024; F21S 8/026; F21S 8/031; F21S 8/033; F21S 8/035-037; F21S 8/04; F21S 8/043; F21S 8/063

See application file for complete search history.

U.S. PATENT DOCUMENTS

4,211,959 A *	7/1980	Deavenport	H02M 5/2576 315/362
D375,377 S *	11/1996	Leen	D26/119
D428,518 S *	7/2000	Leen	D26/138
D428,519 S *	7/2000	Leen	D26/138
D441,491 S *	5/2001	Leen	D26/138
D502,566 S *	3/2005	Tsai	D26/138
D571,951 S *	6/2008	Melzner	D26/138

* cited by examiner

Primary Examiner — Michael C Stout

Assistant Examiner — Benjamin M Weeks

(74) *Attorney, Agent, or Firm* — Karin L. Williams; Alan D. Kamrath; Mayer & Williams PC

(57) **CLAIM**

The ornamental design for a lamp holder, as shown and described.

DESCRIPTION

FIG. 1 is a perspective view of a lamp holder showing my design.

FIG. 2 is a front elevational view thereof.

FIG. 3 is a rear elevational view thereof.

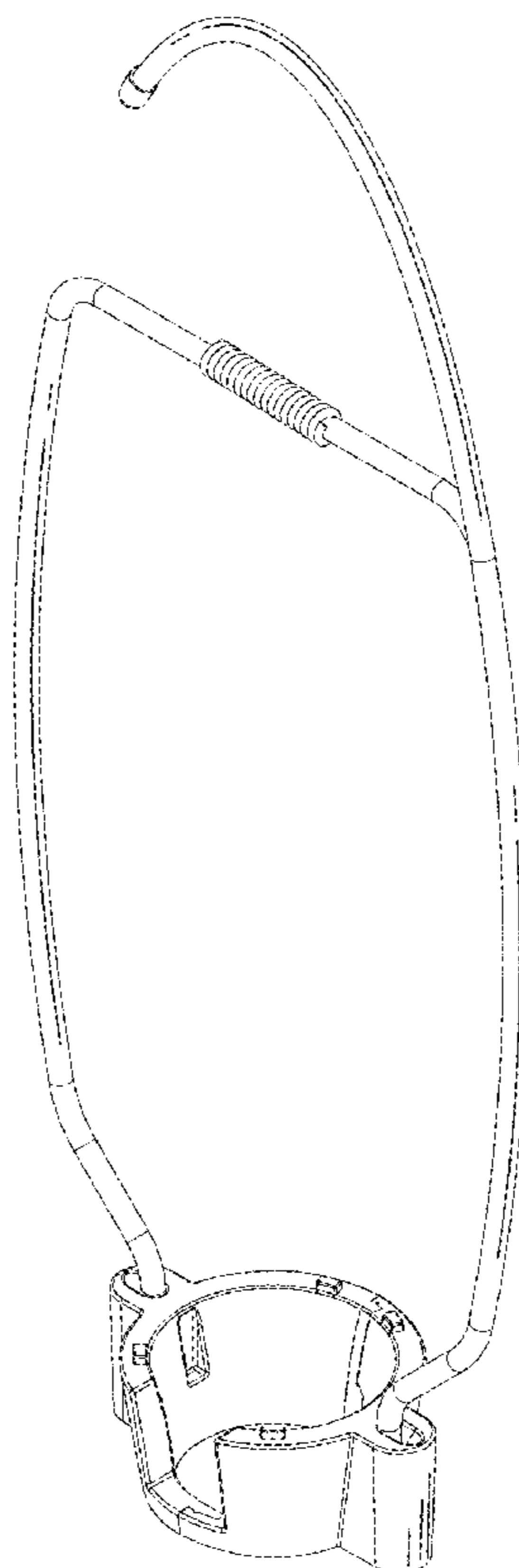
FIG. 4 is a left side elevational view thereof.

FIG. 5 is a right side elevational view thereof.

FIG. 6 is a top plan view thereof; and,

FIG. 7 is a bottom plan view thereof.

1 Claim, 5 Drawing Sheets



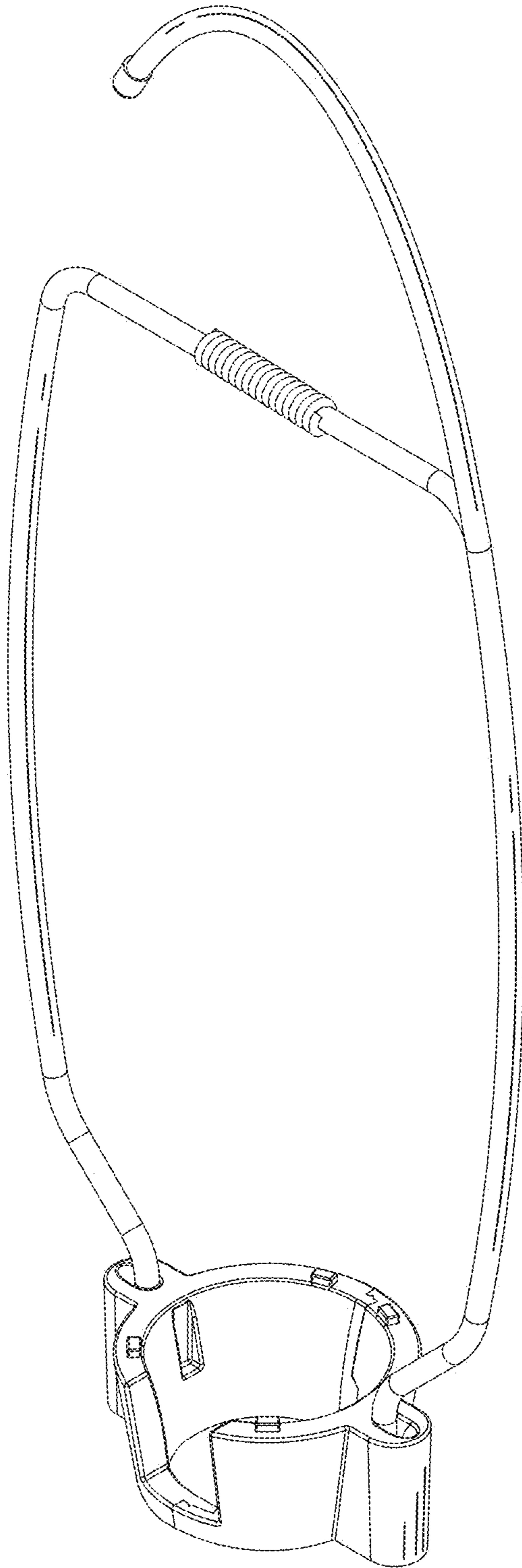


FIG. 1

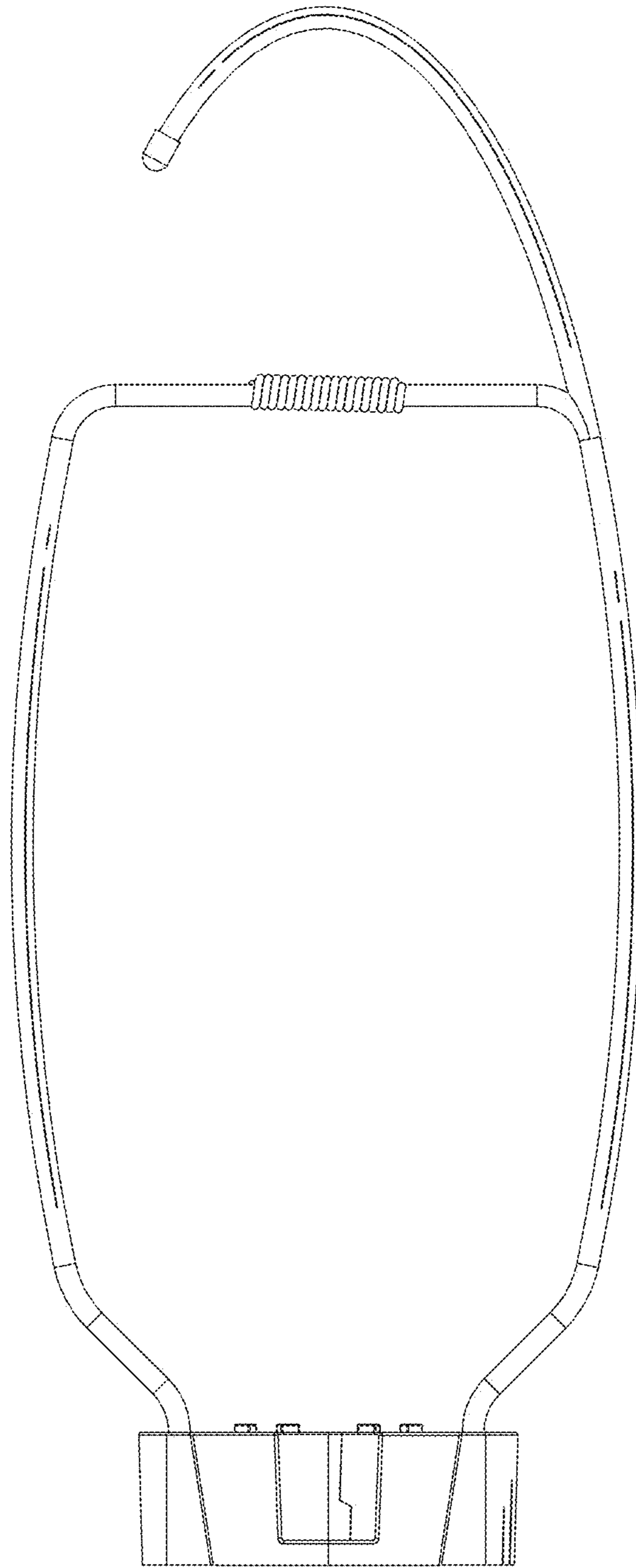


FIG. 2

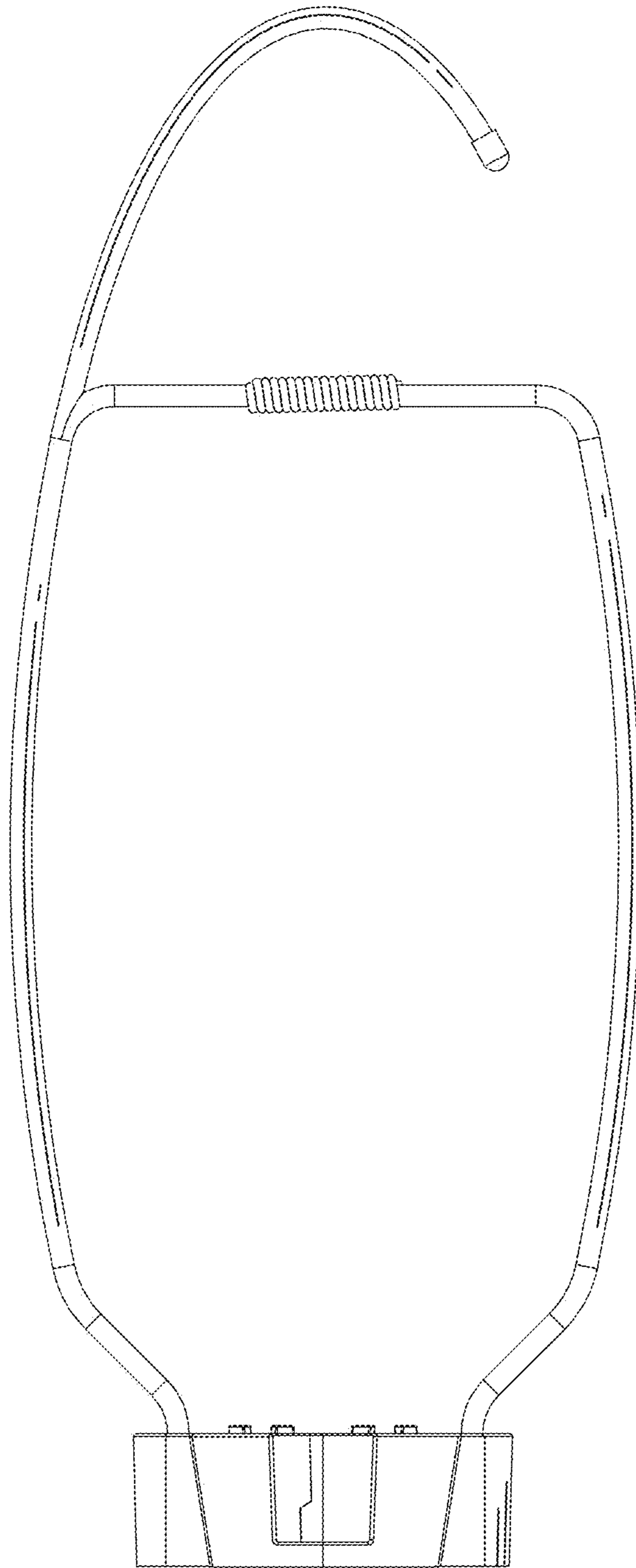


FIG. 3

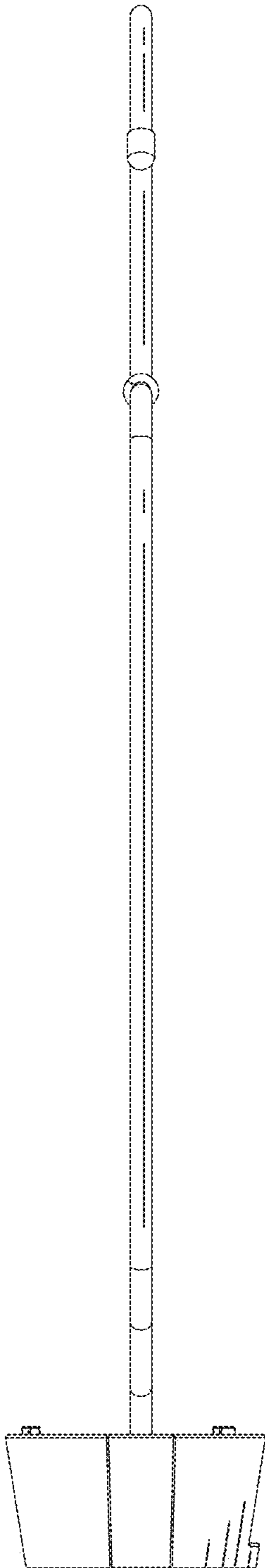


FIG. 4

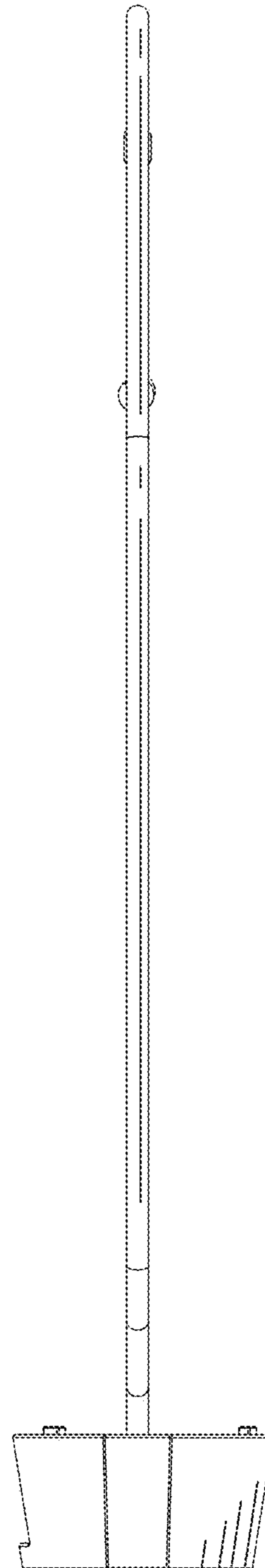


FIG. 5

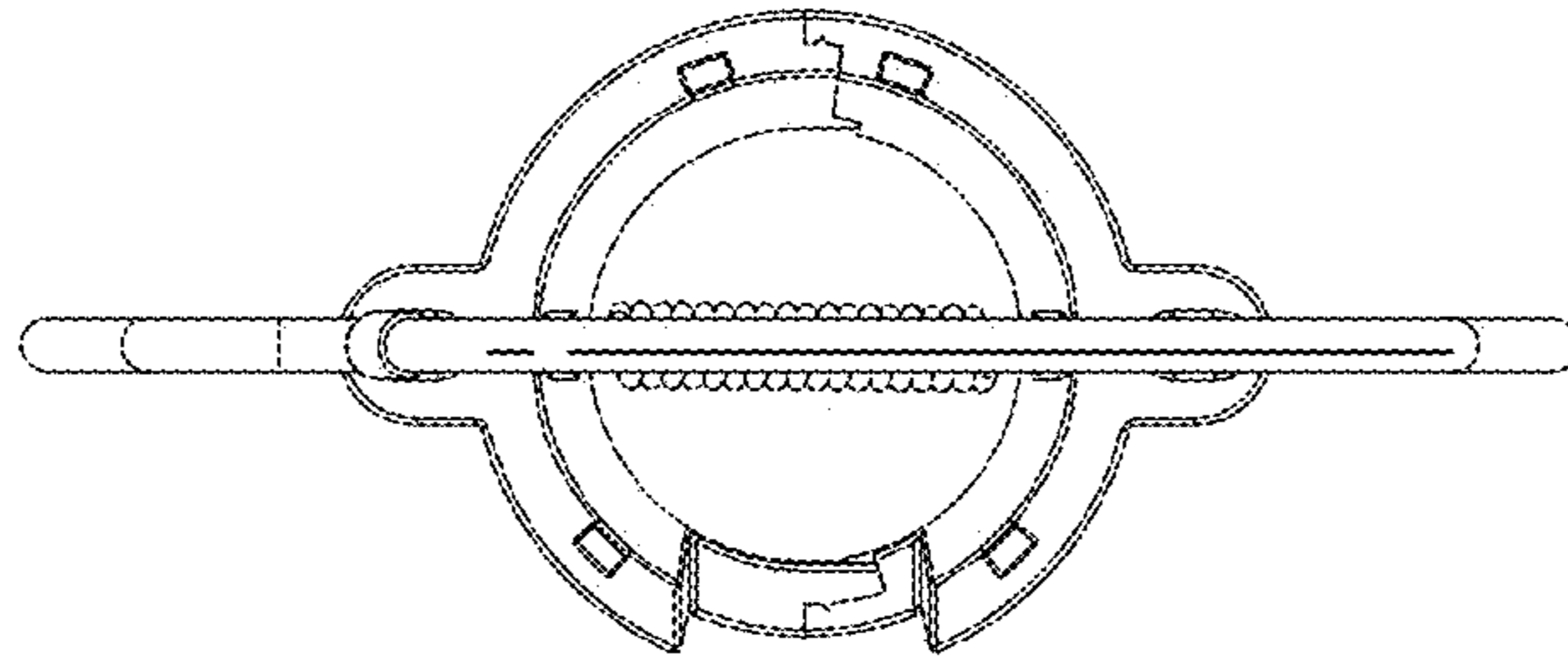


FIG. 6

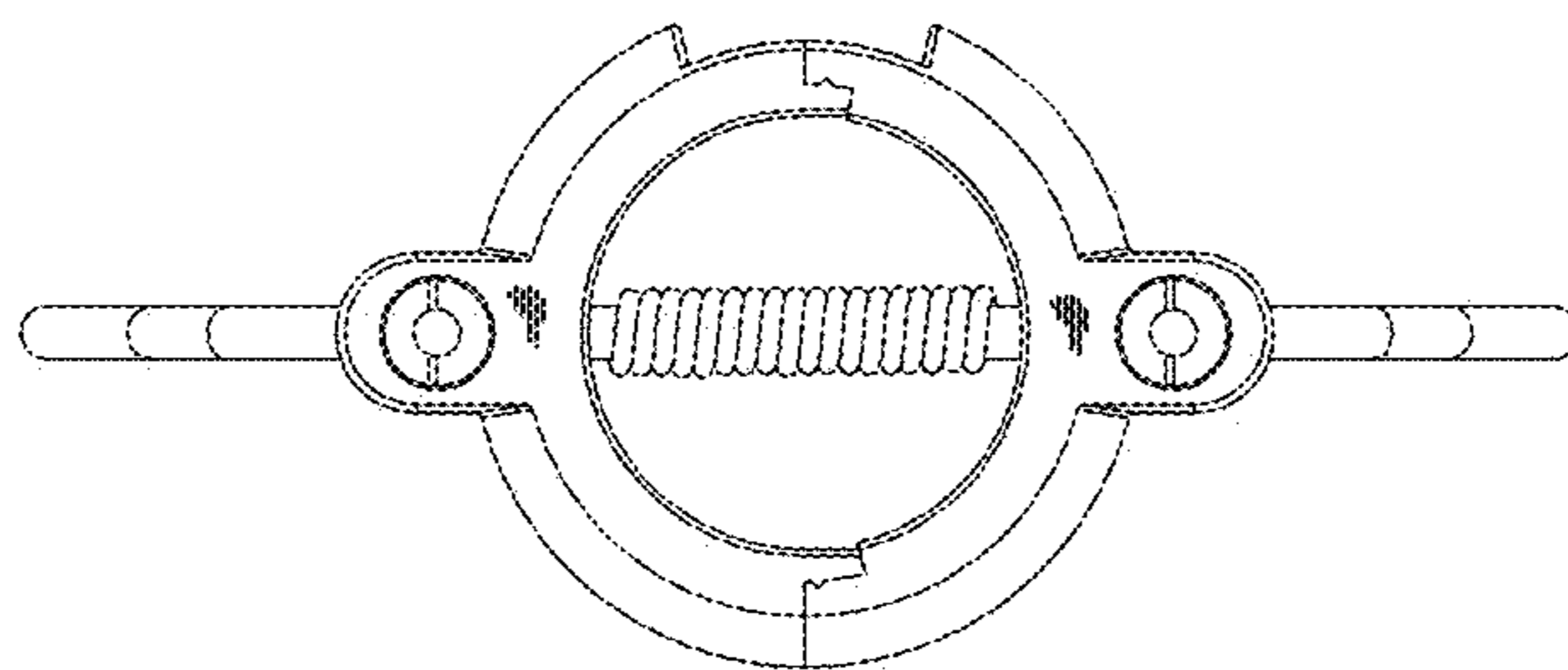


FIG. 7