



US00D925813S

(12) **United States Design Patent** (10) **Patent No.:** **US D925,813 S**
Van Der Schyf et al. (45) **Date of Patent:** **** Jul. 20, 2021**

(54) **LIGHT BAR FOR A LUMINAIRE**
(71) Applicants: **Marthinus Christoffel Van Der Schyf**,
Austin, TX (US); **Jonathan Becker Schmidt**, Round Rock, TX (US);
Kenneth B. Frame, Spring, TX (US)
(72) Inventors: **Marthinus Christoffel Van Der Schyf**,
Austin, TX (US); **Jonathan Becker Schmidt**, Round Rock, TX (US);
Kenneth B. Frame, Spring, TX (US)

D757,324 S *	5/2016	Rodgers	D26/76
D758,646 S *	6/2016	Reynolds	D26/138
D761,476 S *	7/2016	Shah	D26/76
9,541,261 B2	1/2017	Klase et al.		
D786,476 S *	5/2017	McCane	D26/76
D808,059 S *	1/2018	Li	D26/76
D819,248 S *	5/2018	Agro	D26/76
D820,496 S *	6/2018	Agro	D26/76
D840,085 S *	2/2019	Deng	D26/76
D865,271 S *	10/2019	Parker	D26/118
D877,958 S *	3/2020	Liu	D26/76
D878,658 S *	3/2020	Cercone	D26/76
D894,470 S *	8/2020	Reynolds	D26/118
D907,841 S *	1/2021	Dobin	D26/138

(73) Assignee: **Fluence Bioengineering Inc.**, Austin, TX (US)

* cited by examiner

(**) Term: **15 Years**

Primary Examiner — Mark A Goodwin

Assistant Examiner — Benjamin M Weeks

(21) Appl. No.: **29/700,006**

(74) *Attorney, Agent, or Firm* — Edward Podszus

(22) Filed: **Jul. 30, 2019**

(51) **LOC (13) Cl.** **26-05**

(52) **U.S. Cl.**
USPC **D26/138**

(58) **Field of Classification Search**
USPC D26/76, 78, 79, 80, 81, 82, 83, 85, 86,
D26/88, 90, 113, 118, 119, 120, 121, 122,
D26/138, 139, 140, 141, 142
CPC F21S 2/00; F21S 4/00; F21S 4/003; F21S
4/005; F21S 4/006; F21S 4/007; F21S
4/008; F21S 6/00; F21S 8/00; F21S
8/024; F21S 8/026; F21S 8/031; F21S
8/033; F21S 8/035-037; F21S 8/04; F21S
8/043; F21S 8/063
See application file for complete search history.

(57) **CLAIM**

The ornamental design for a light bar for a luminaire, as shown and described.

DESCRIPTION

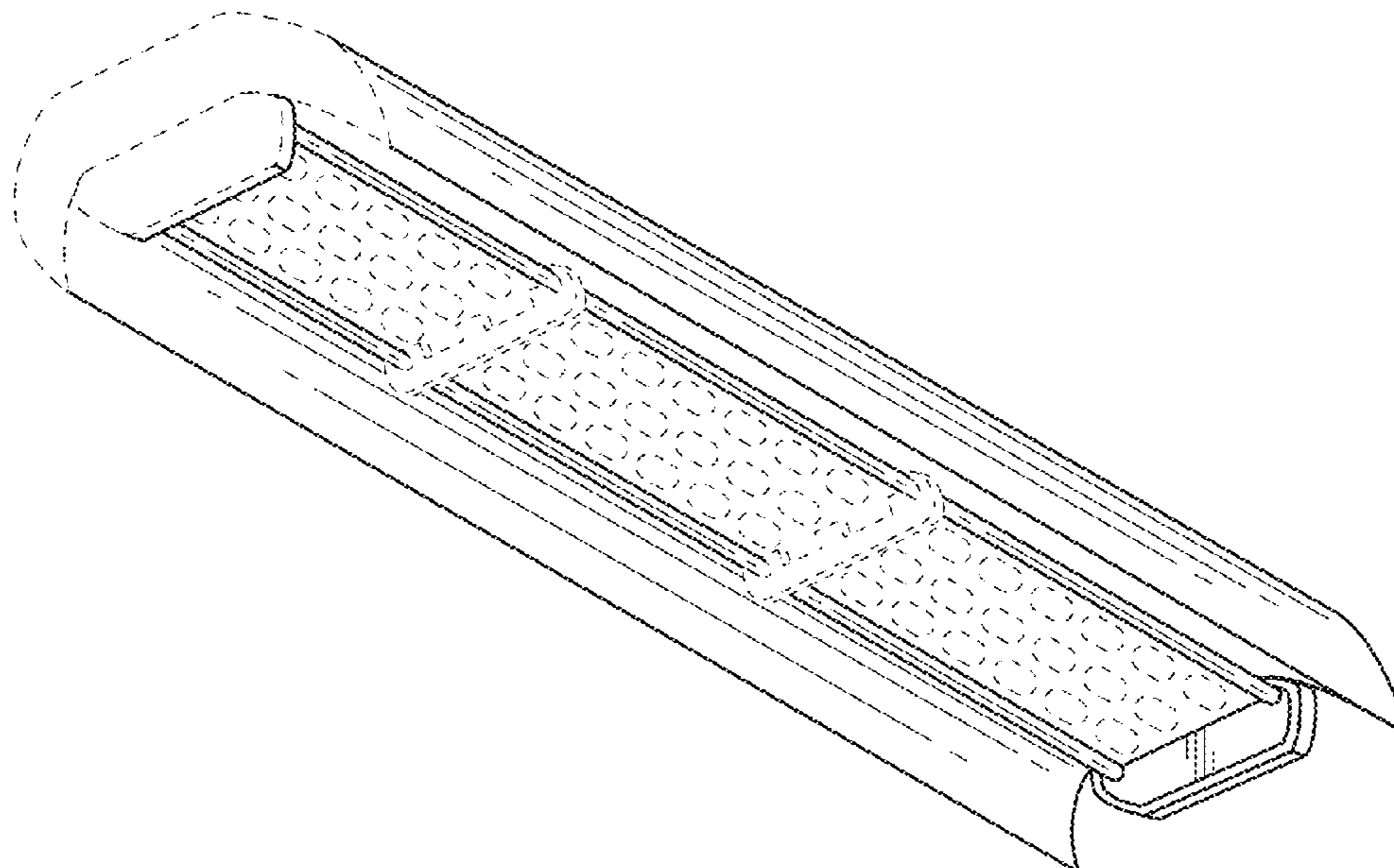
FIG. 1 is a perspective view of the new design for a light bar for a luminaire as seen from the side, bottom;
FIG. 2 is a right side elevational view thereof, the left side elevational view being the same;
FIG. 3 is a front elevational view thereof, the rear elevational view being the same;
FIG. 4 is a bottom plan view thereof; and,
FIG. 5 is a top plan view thereof.
The broken lines represent portions of a light bar for a luminaire that form no part of the claimed design.

(56) **References Cited**

U.S. PATENT DOCUMENTS

D106,873 S *	11/1937	Stewarr	D26/24
D616,138 S *	5/2010	Lasthein	D26/76

1 Claim, 3 Drawing Sheets



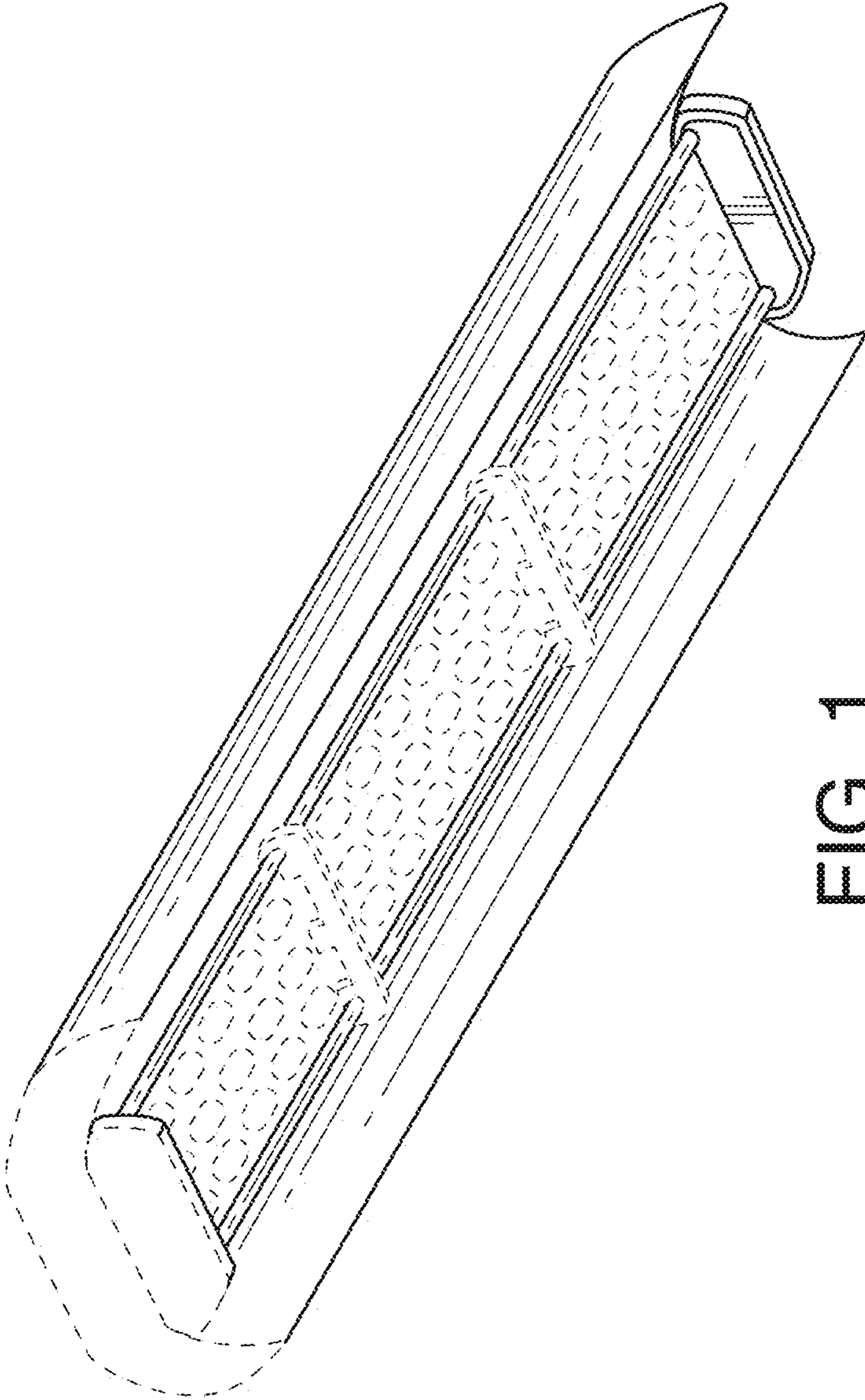


FIG. 1

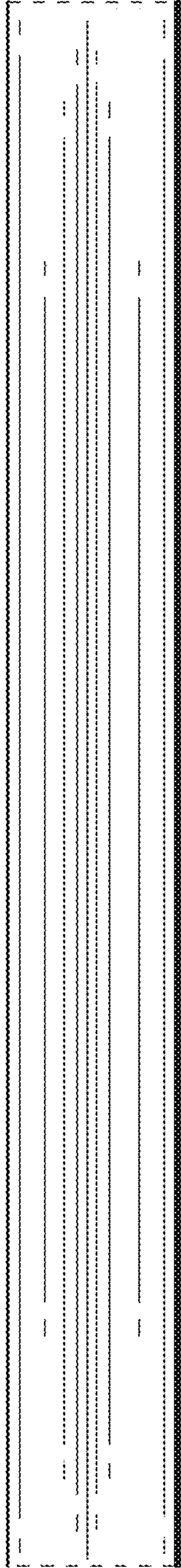


FIG. 2

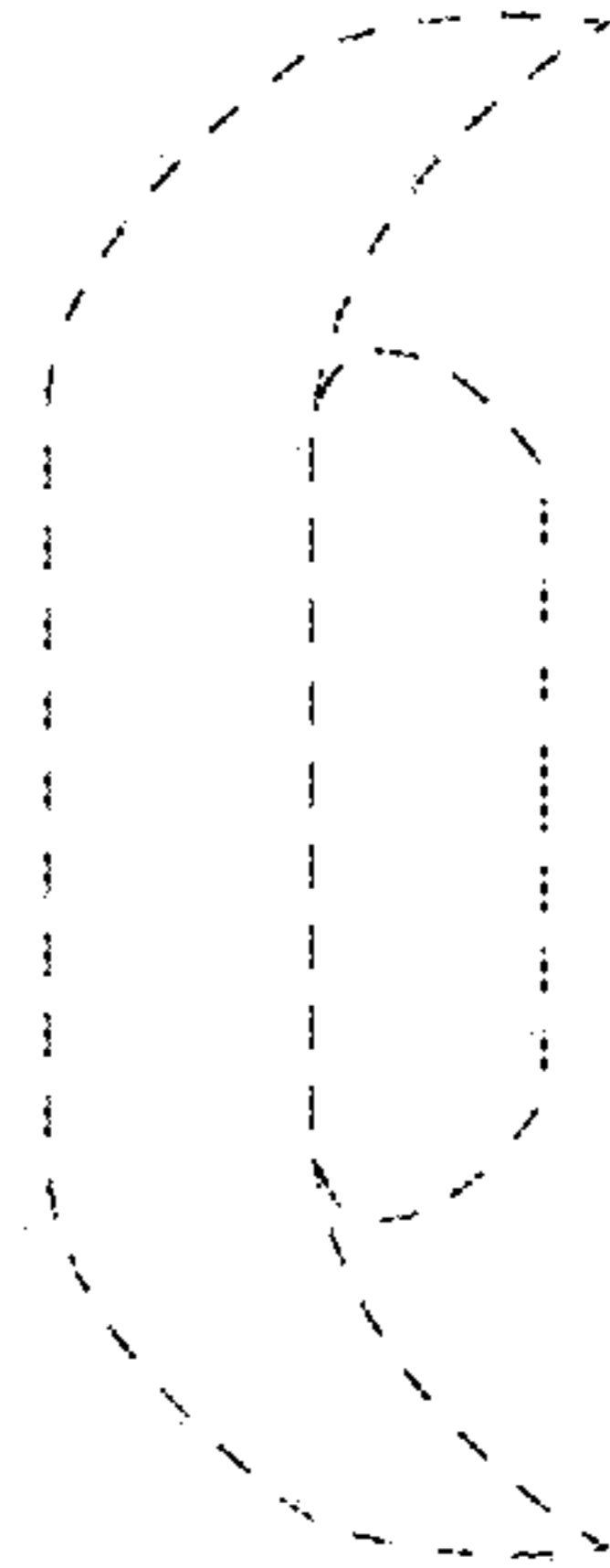


FIG. 3

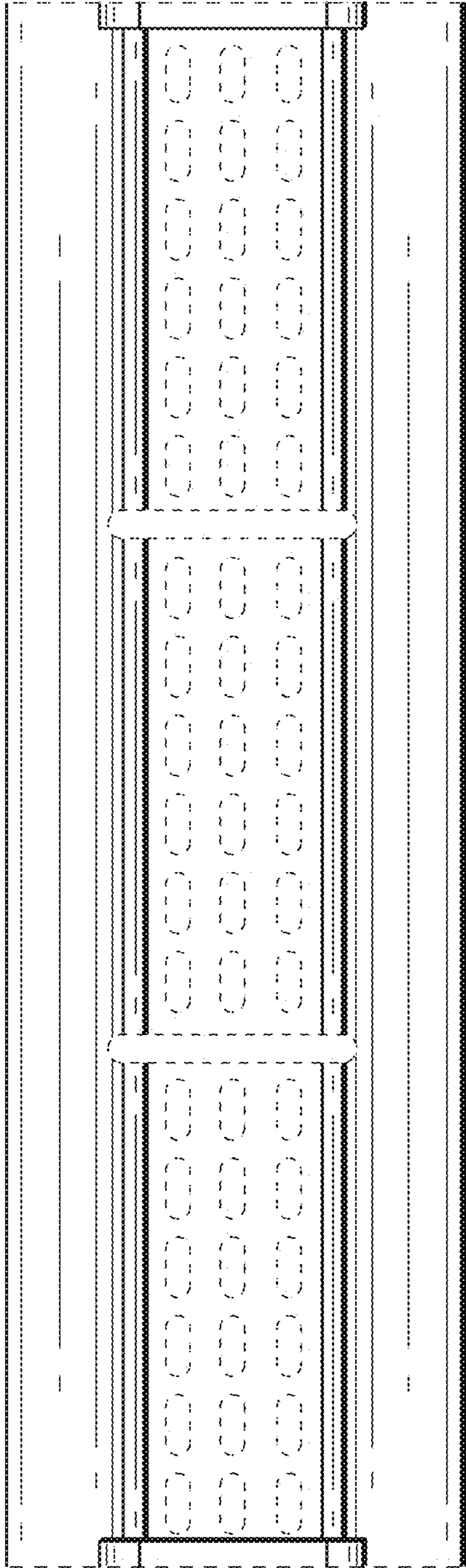


FIG. 4

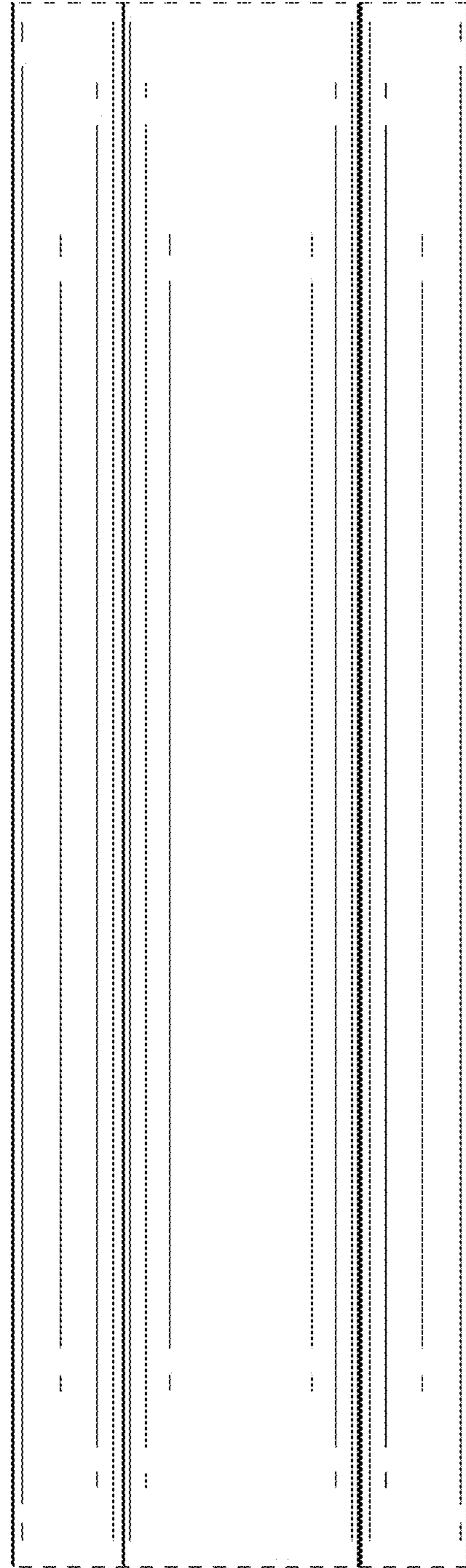


FIG. 5