



US00D925810S

(12) **United States Design Patent**
Yi et al.

(10) **Patent No.:** **US D925,810 S**

(45) **Date of Patent:** **** Jul. 20, 2021**

(54) **MOVEABLE LED LAMP**

(71) Applicant: **Shenzhen Flashine Lighting Co., Ltd.**,
Shenzhen (CN)

(72) Inventors: **Shenhui Yi**, Linxiang (CN); **Bo She**,
Bazhong (CN)

(**) Term: **15 Years**

(21) Appl. No.: **29/698,733**

(22) Filed: **Jul. 19, 2019**

(30) **Foreign Application Priority Data**

Jul. 3, 2019 (CN) 201930351575.1

(51) **LOC (13) Cl.** **26-03**

(52) **U.S. Cl.**
USPC **D26/110**

(58) **Field of Classification Search**
USPC D26/93, 104, 110, 112
CPC F21V 3/00; F21V 5/007; F21W 2121/006;
F21S 6/00; F21S 6/002; F21S 10/00;
F21S 610/06
See application file for complete search history.

(56) **References Cited**

U.S. PATENT DOCUMENTS

D392,407 S * 3/1998 Johnson D26/104
D800,373 S * 10/2017 Soni D26/110

D885,640 S * 5/2020 Civelekoglu D26/104
D887,623 S * 6/2020 Ji D26/110
2018/0087767 A1* 3/2018 Trainer F21V 3/00

* cited by examiner

Primary Examiner — Brian N. Vinson

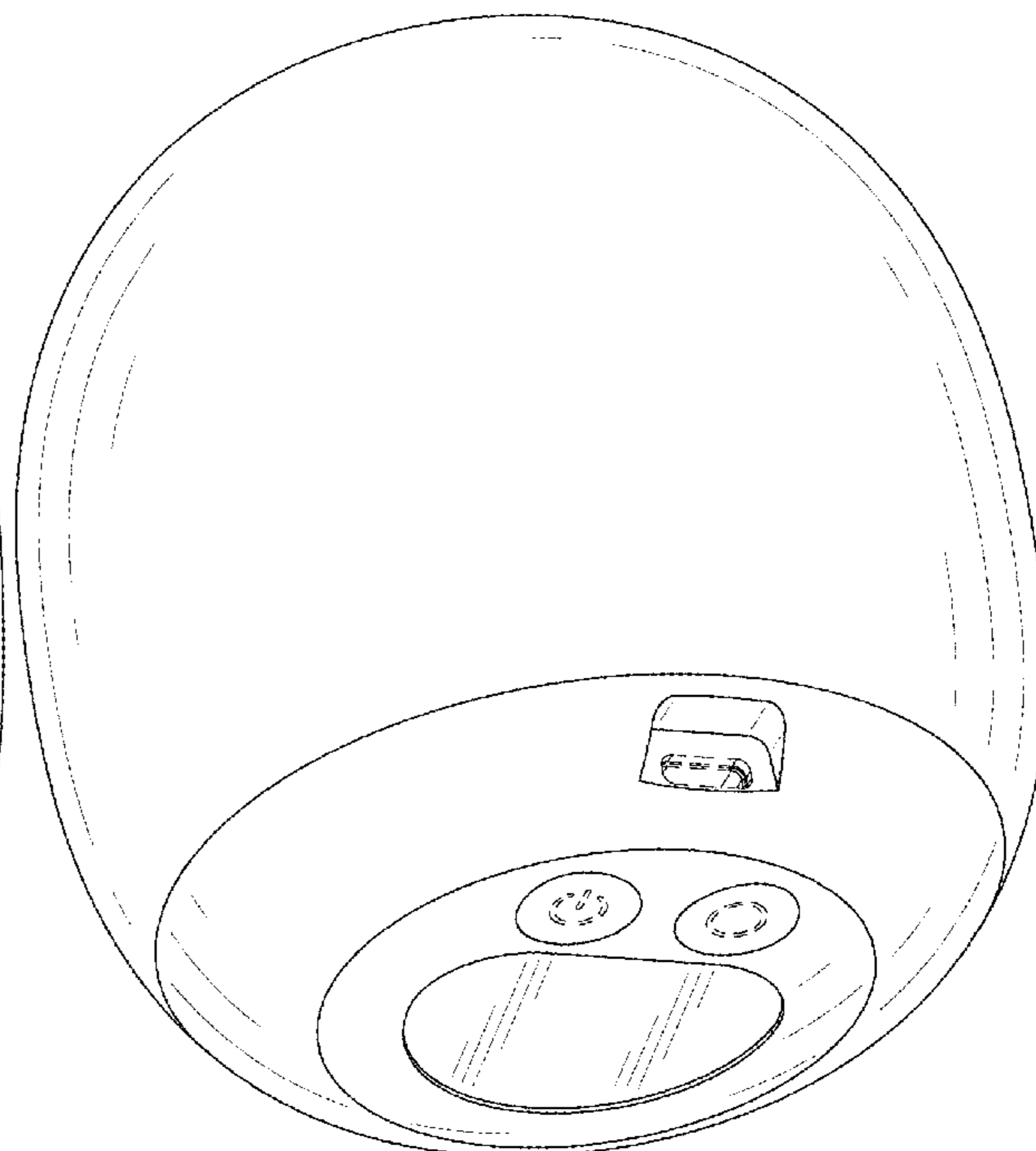
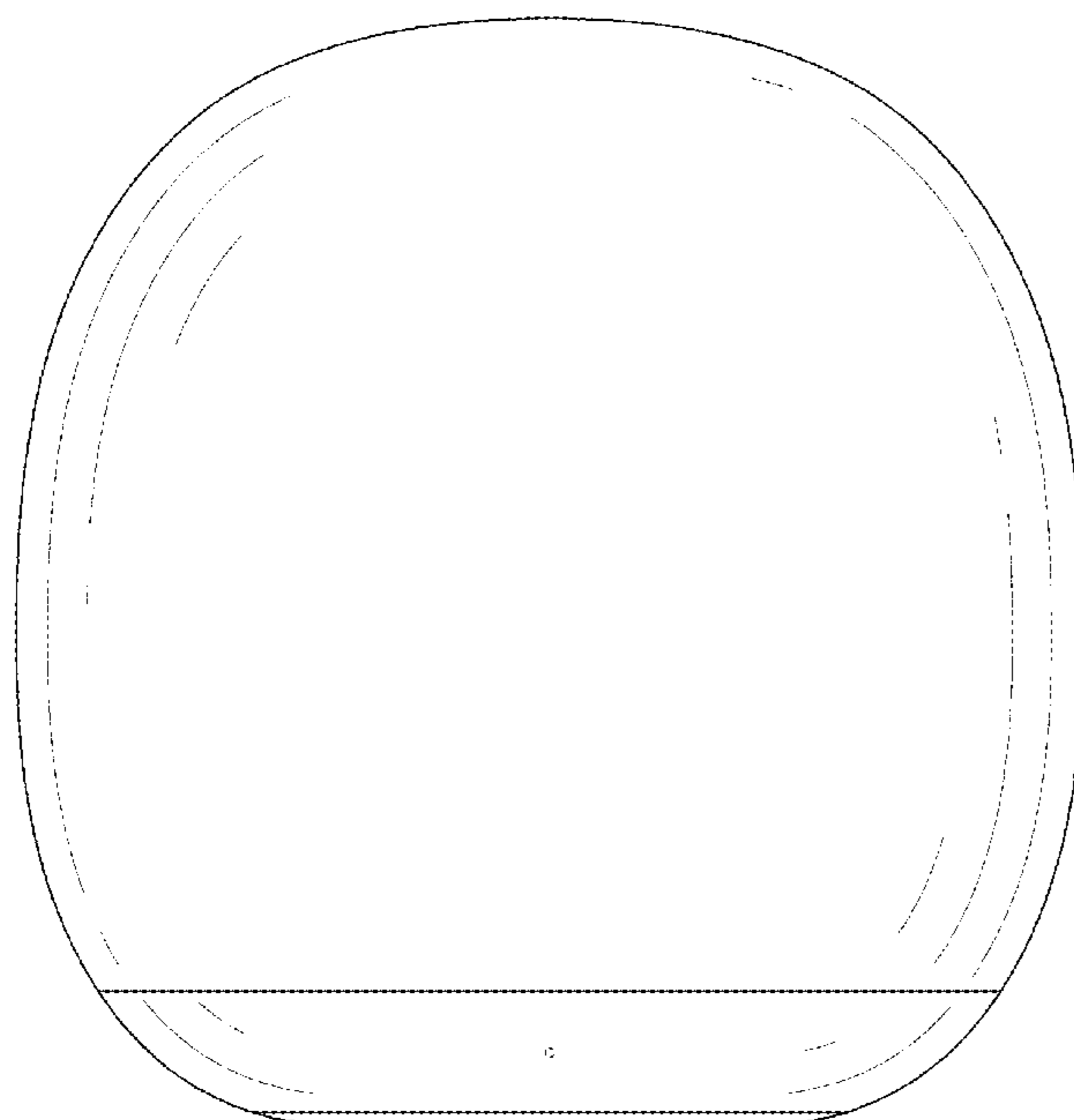
(57) **CLAIM**

The ornamental design for a moveable LED lamp, as shown and described.

DESCRIPTION

FIG. 1 is a front view of a moveable LED lamp showing our new design;
FIG. 2 is a back view thereof;
FIG. 3 is a left side view thereof;
FIG. 4 is a right side view thereof;
FIG. 5 is a top view thereof;
FIG. 6 is a bottom view thereof;
FIG. 7 is a front and bottom perspective view thereof; and,
FIG. 8 is a back and bottom perspective view thereof
The broken lines in the figures illustrate portions of the moveable LED lamp that form no part of the claimed design.

1 Claim, 8 Drawing Sheets



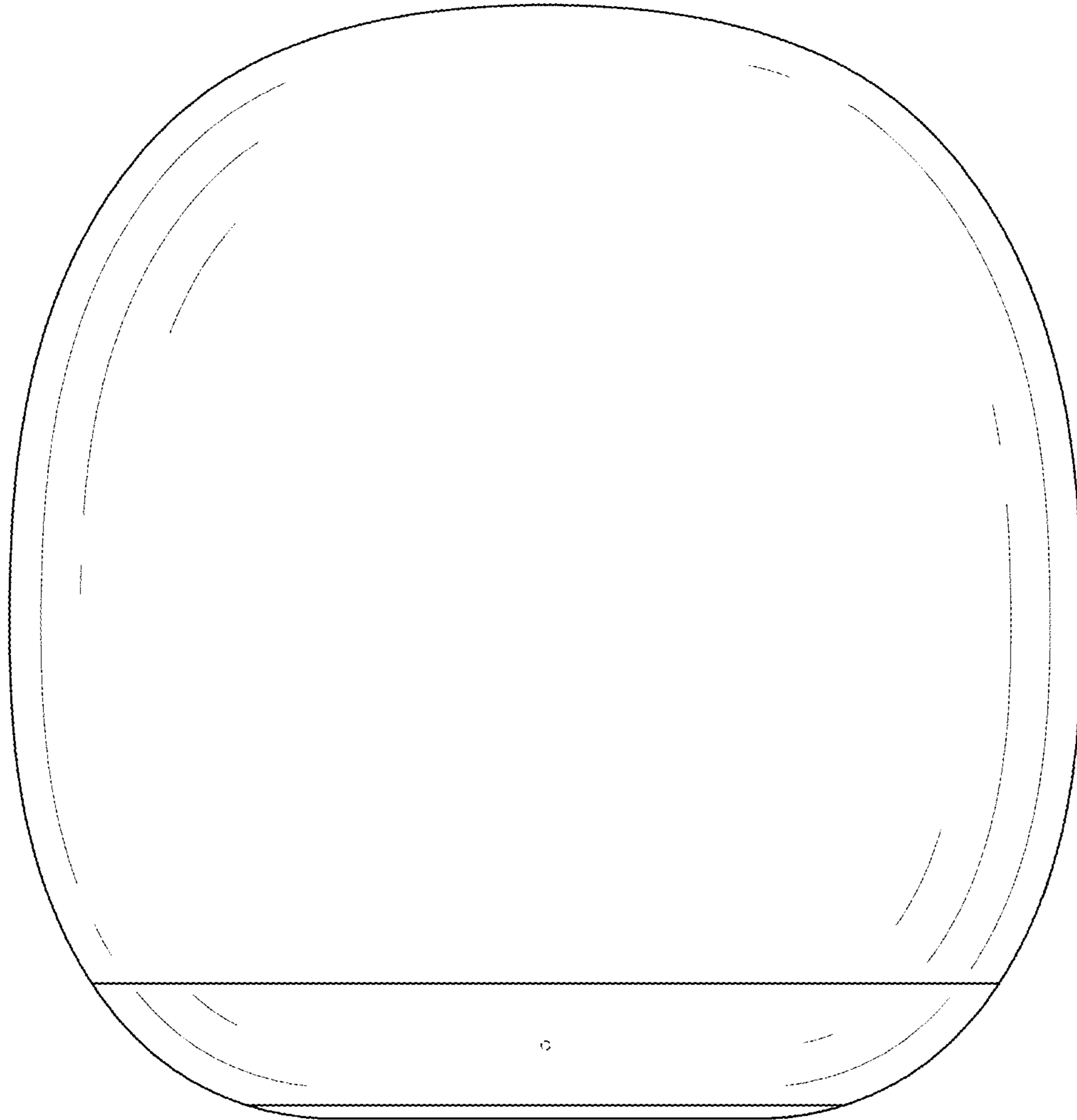


FIG. 1

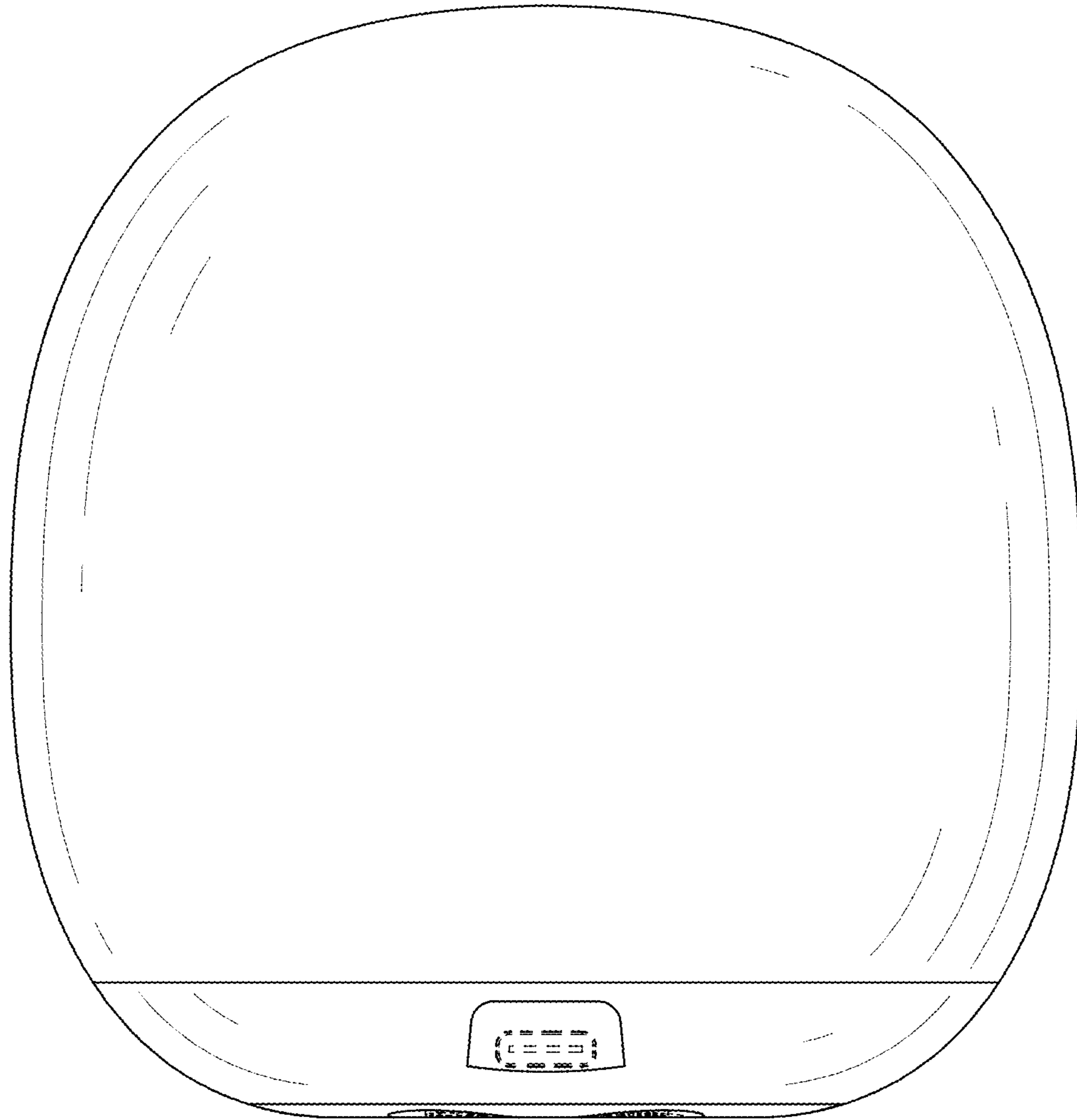


FIG. 2

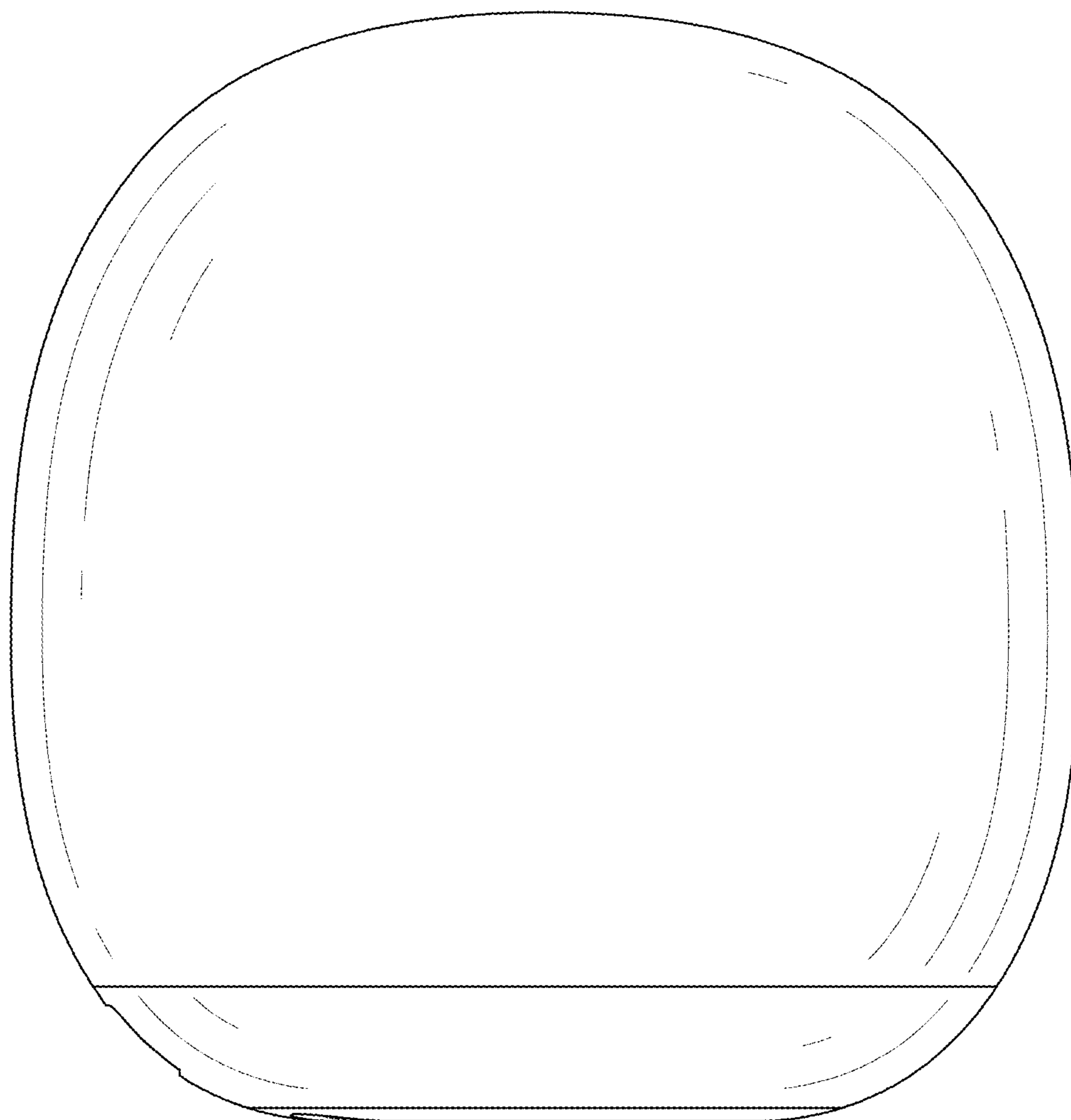


FIG. 3

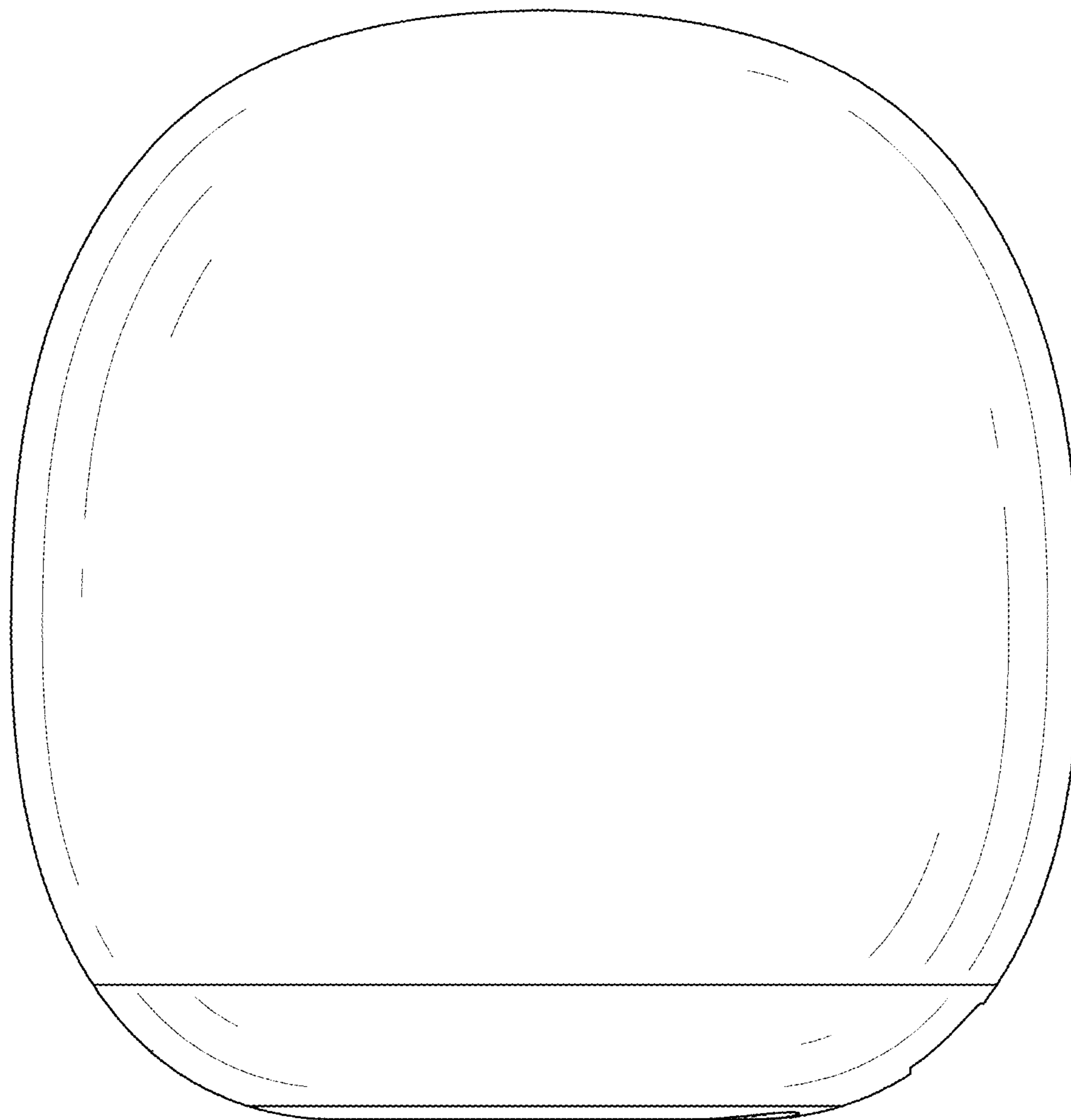


FIG. 4

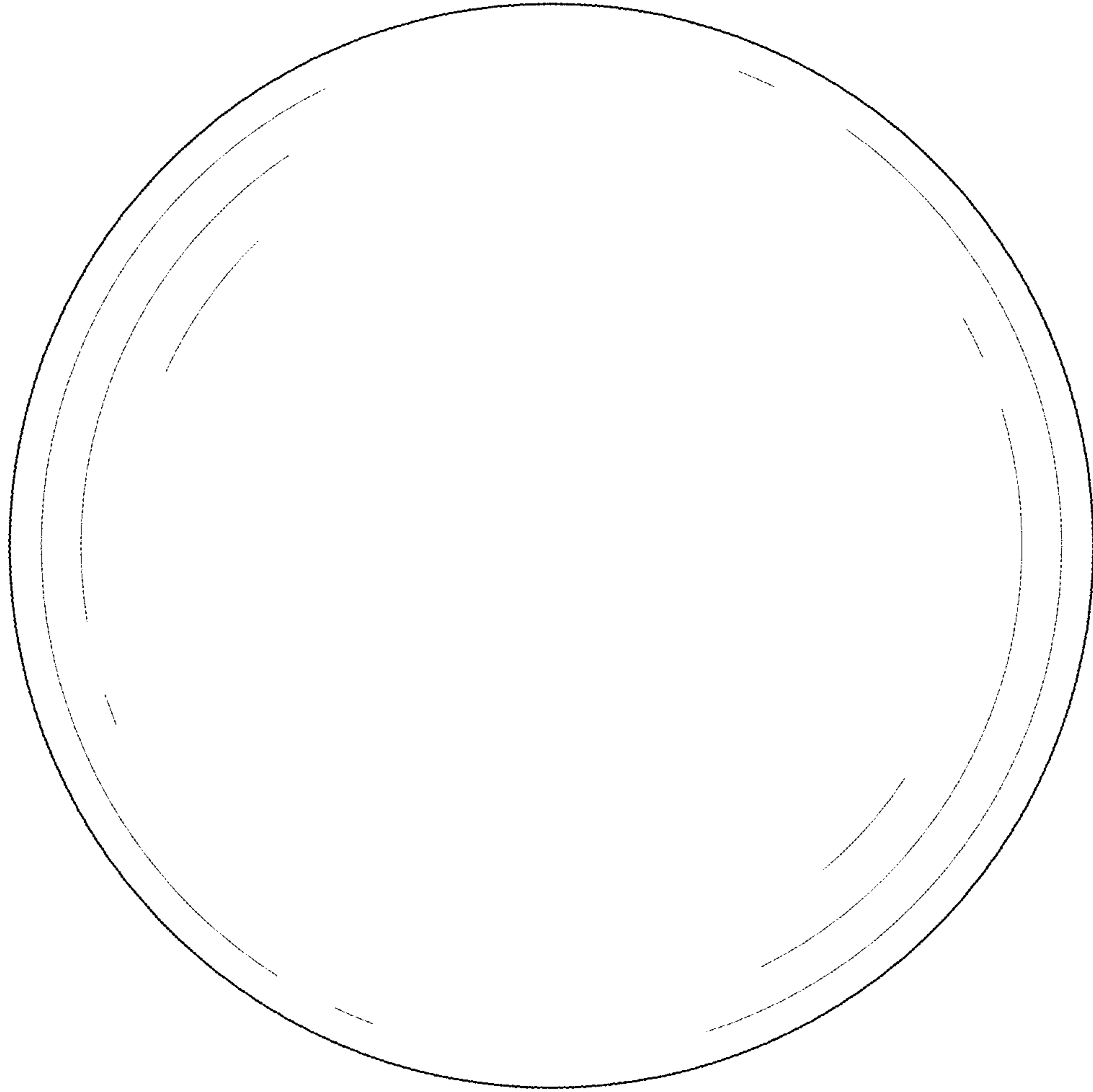


FIG. 5

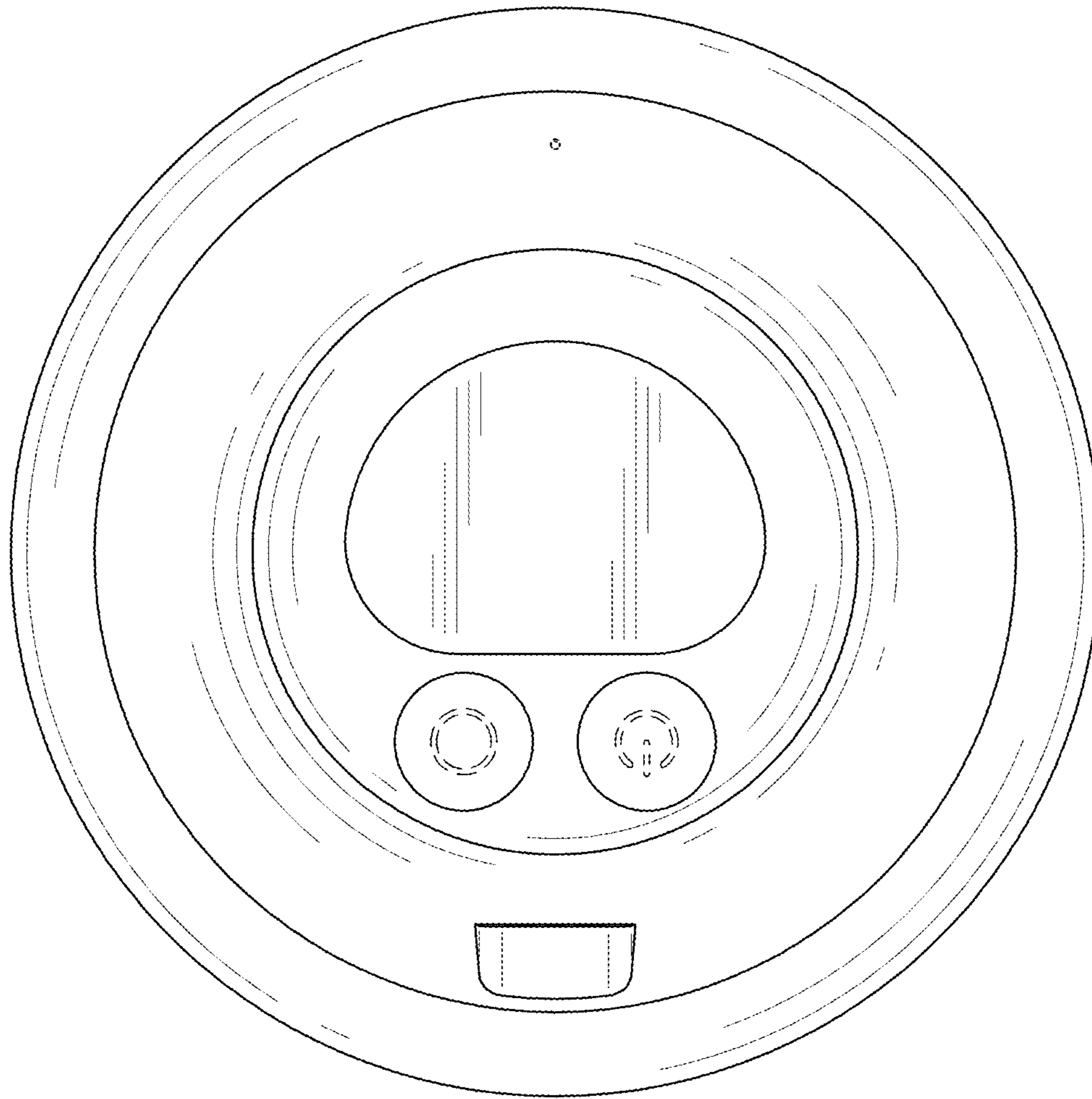


FIG. 6

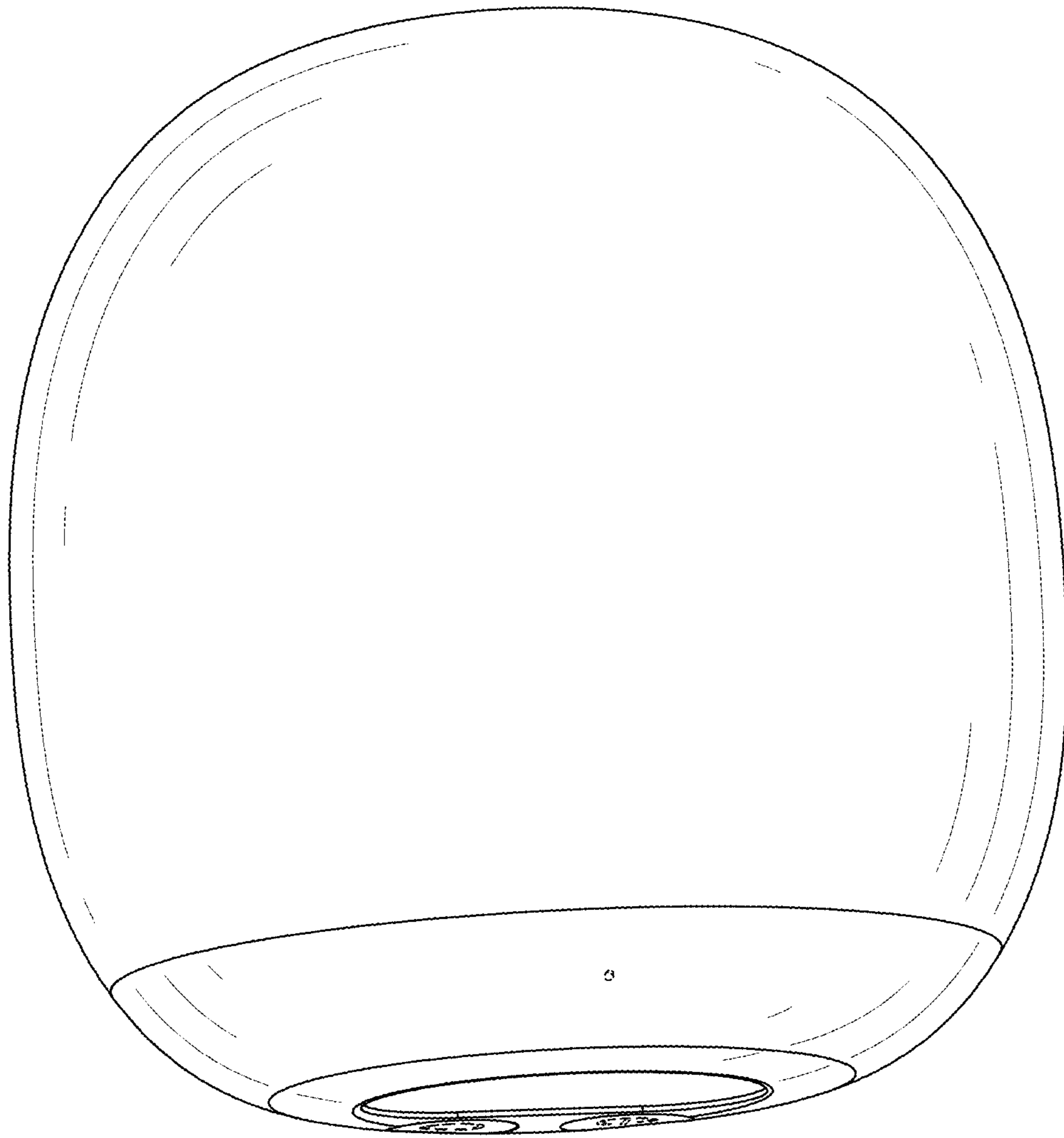


FIG. 7

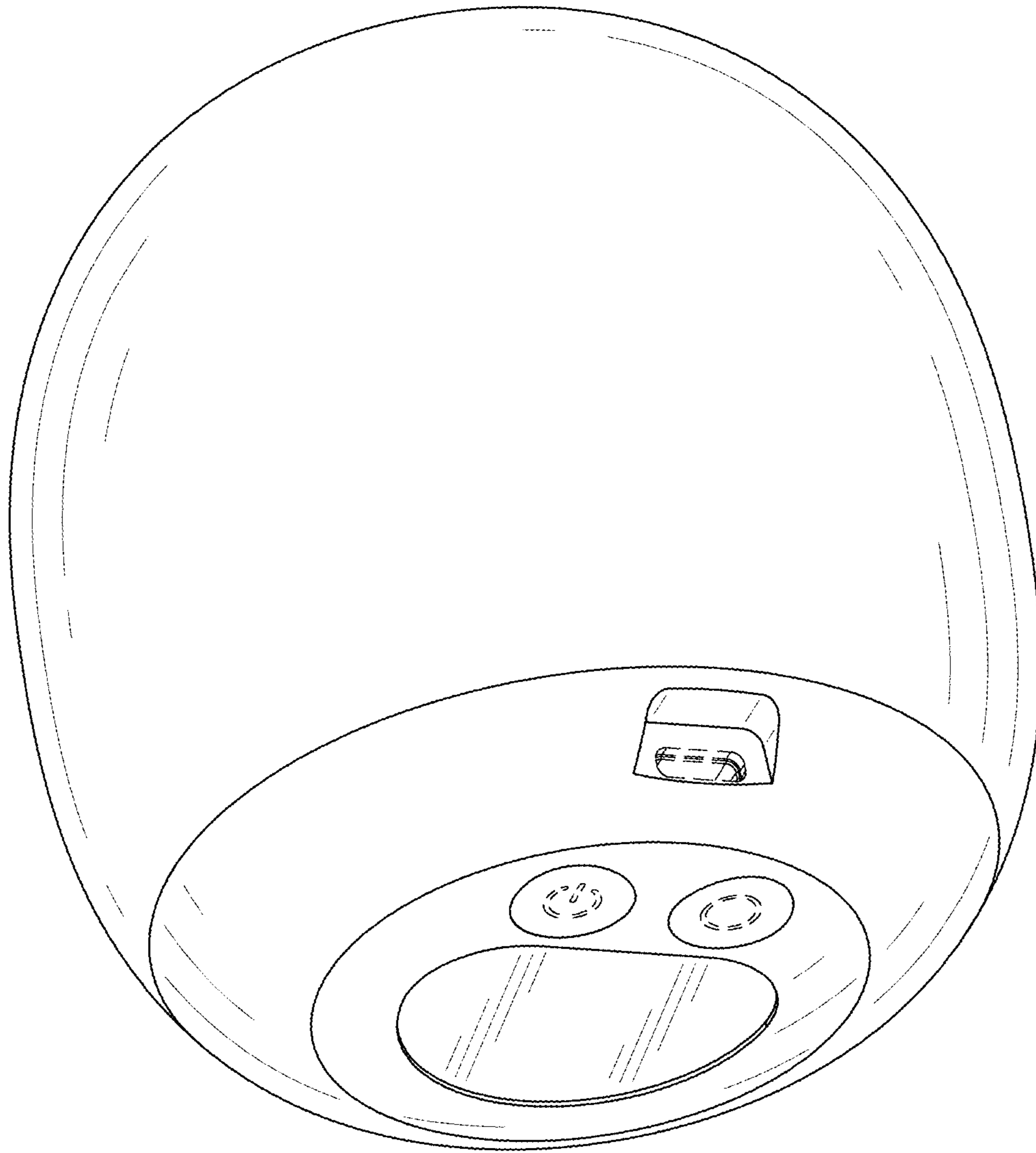


FIG. 8