



US00D925807S

(12) **United States Design Patent**
Chen

(10) **Patent No.:** **US D925,807 S**

(45) **Date of Patent:** **** Jul. 20, 2021**

(54) **LIGHTING FIXTURE**

(71) Applicant: **Chanzhen Chen**, Guangdong (CN)

(72) Inventor: **Chanzhen Chen**, Guangdong (CN)

(**) Term: **15 Years**

(21) Appl. No.: **29/756,486**

(22) Filed: **Oct. 29, 2020**

(51) **LOC (13) Cl.** **26-03**

(52) **U.S. Cl.**

USPC **D26/87; D26/86**

(58) **Field of Classification Search**

USPC D26/72, 85-87, 92

CPC F21S 8/03; F21S 8/035; F21S 8/036; F21S
8/046

See application file for complete search history.

(56) **References Cited**

U.S. PATENT DOCUMENTS

D608,488 S *	1/2010	Miranda	D26/87
D646,424 S *	10/2011	Ho	D26/85
D701,634 S *	3/2014	Tomlinson	D26/85
D787,733 S *	5/2017	Sonneman	D26/85
D813,436 S *	3/2018	Verelst	D26/72
D816,882 S *	5/2018	Qiao	D26/86
D822,233 S	7/2018	Wang et al.	
D879,353 S *	3/2020	Lin	D26/87
D906,574 S *	12/2020	Jiang	D26/85
D908,265 S *	1/2021	Zheng	D26/86
D914,266 S *	3/2021	Wang	D26/87

OTHER PUBLICATIONS

Ralbay LED Modern Bathroom Vanity Lights ASIN: B08PBVWPRZ available at amazon.com Nov. 30, 2020. (Year: 2020).*

* cited by examiner

Primary Examiner — Clare E Heflin

(57) **CLAIM**

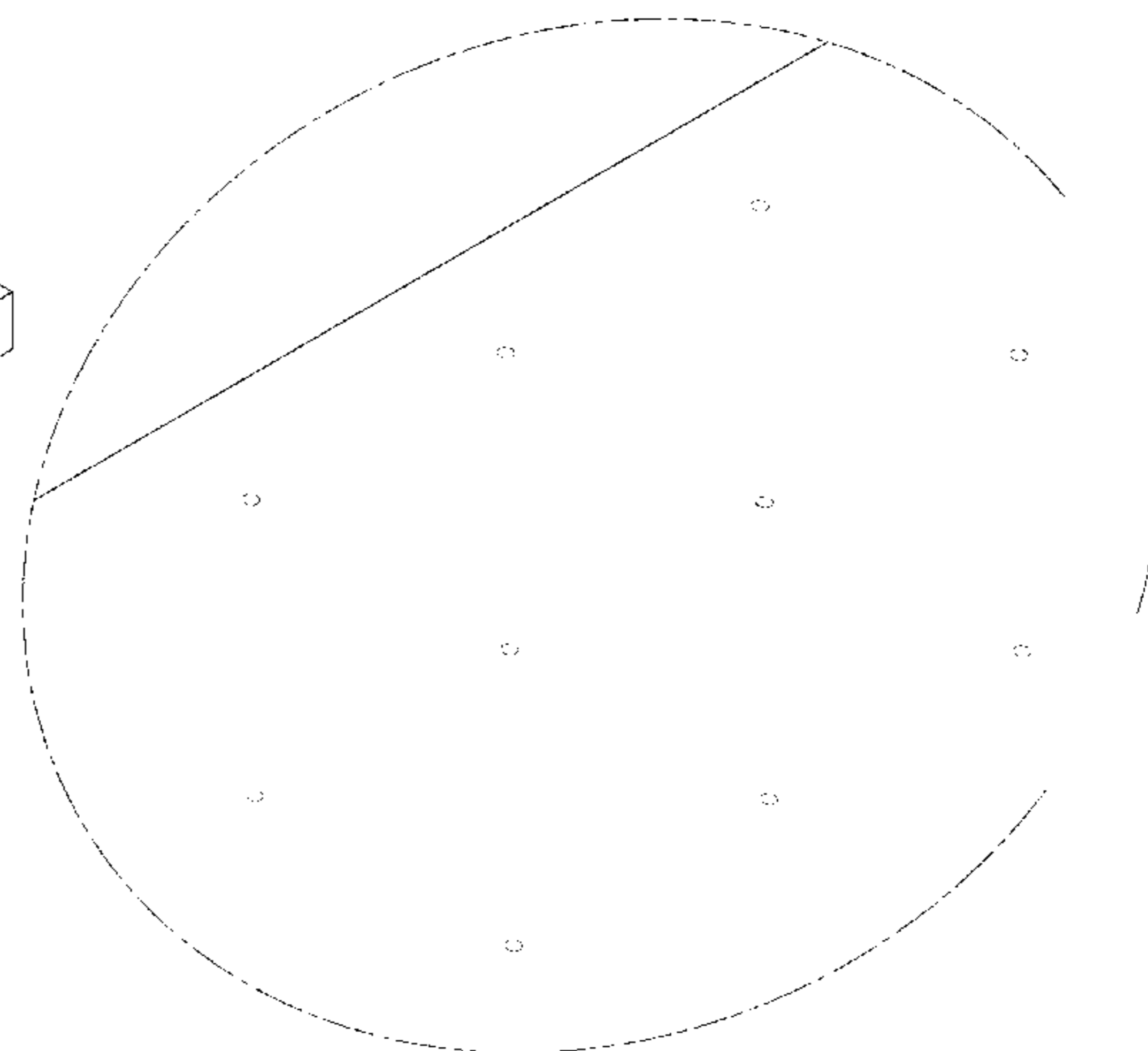
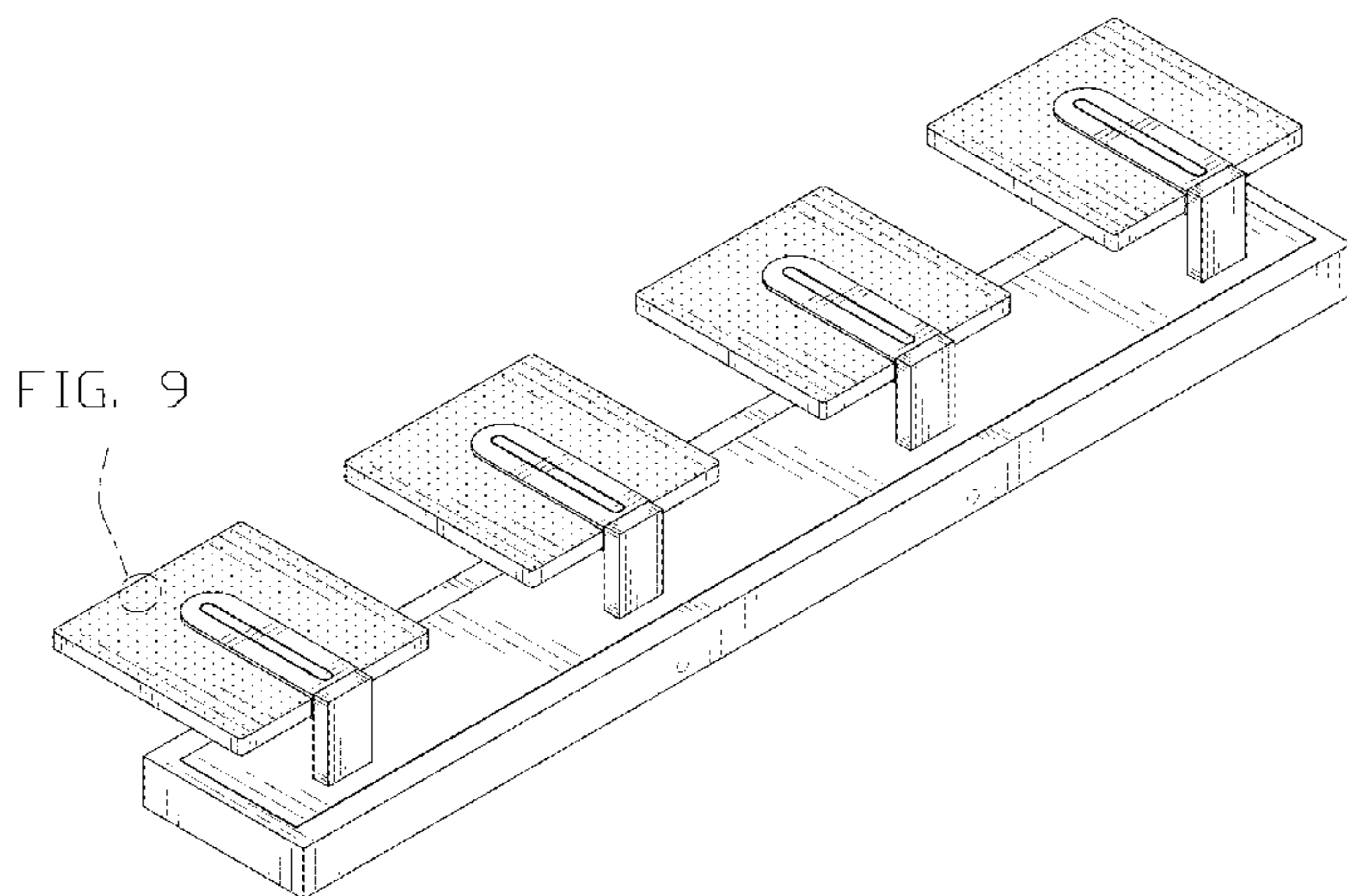
The ornamental design for a lighting fixture, as shown and described.

DESCRIPTION

FIG. 1 is a rear, bottom perspective view of the lighting fixture showing my new design;
FIG. 2 is a front top perspective view thereof;
FIG. 3 is a bottom plan view thereof;
FIG. 4 is a top plan view thereof;
FIG. 5 is a left side elevation view thereof;
FIG. 6 is a right side elevation view thereof;
FIG. 7 is a rear elevation view thereof; and
FIG. 8 is a front elevation view thereof; and,
FIG. 9 is an enlarged view of a portion labeled, 'FIG. 9' in FIG. 2.

The dash dot dash lines in FIGS. 2 and 9 are for the purpose of depicting the cut line of the enlarged view and form no part of the claim. The broken lines in the figures illustrate portions of the article that form no part of the claimed design.

1 Claim, 9 Drawing Sheets



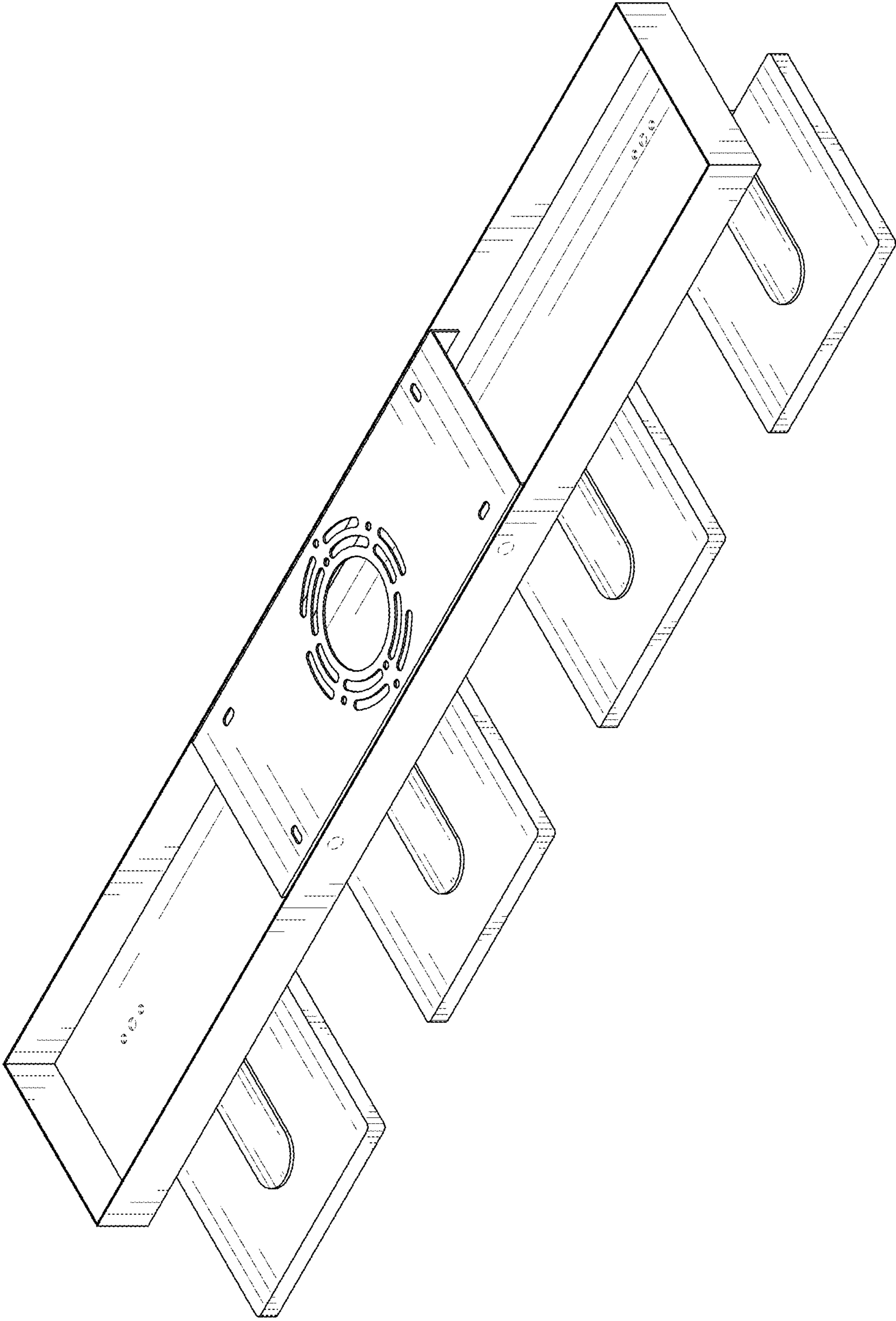


FIG. 1

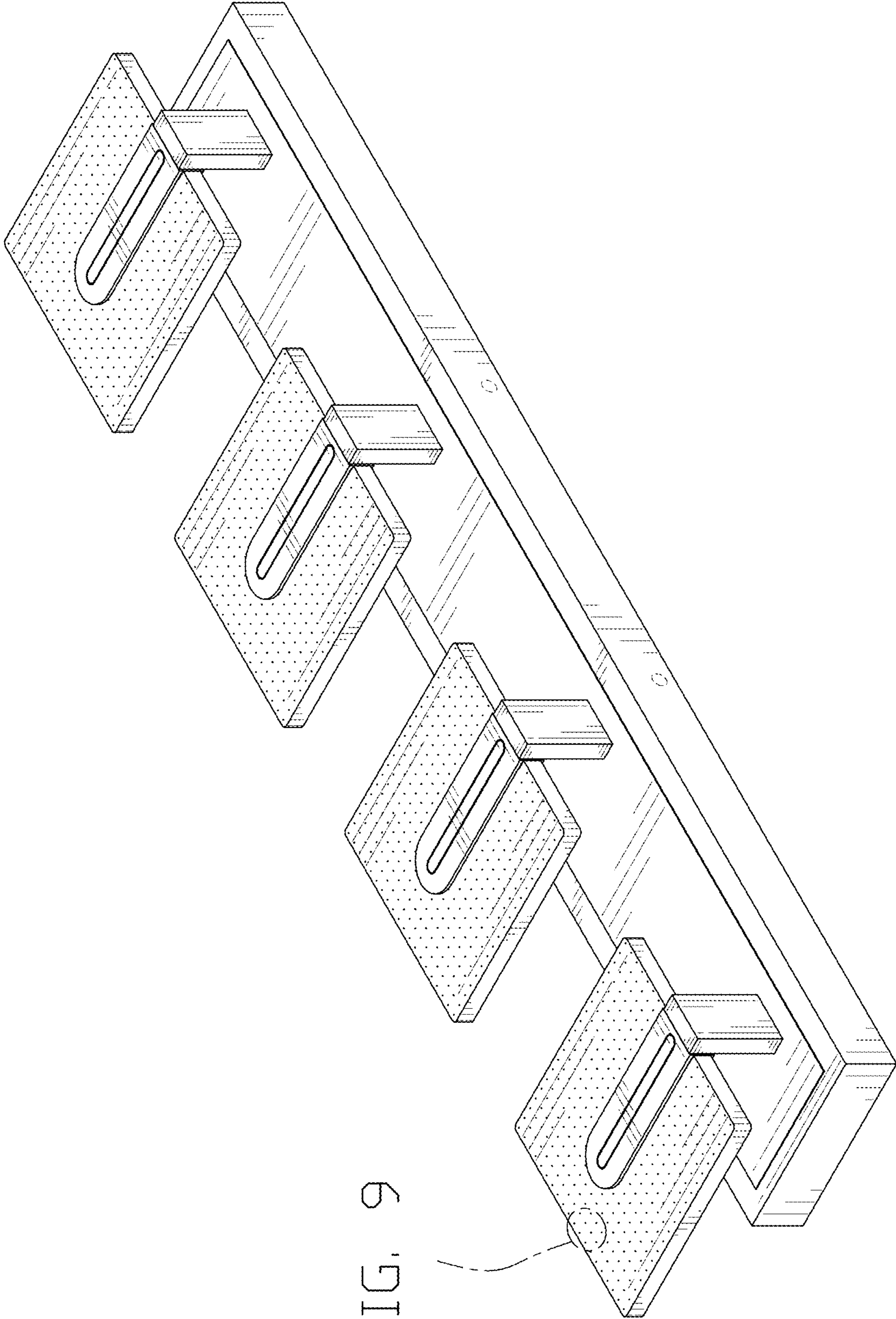


FIG. 9

FIG. 2

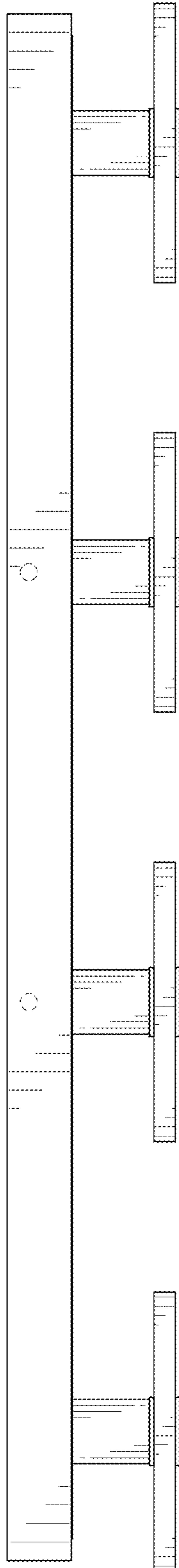


FIG. 3

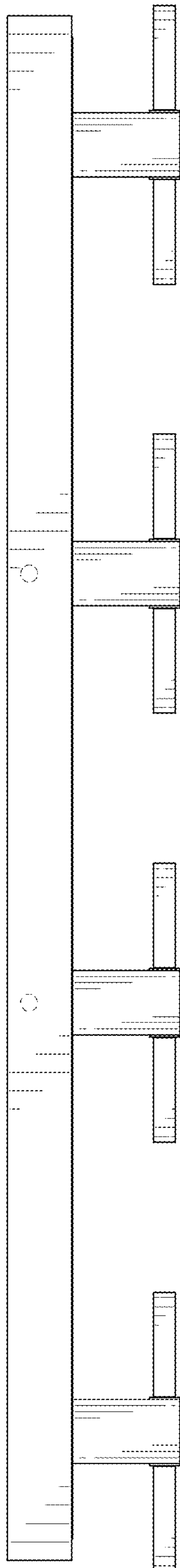


FIG. 4

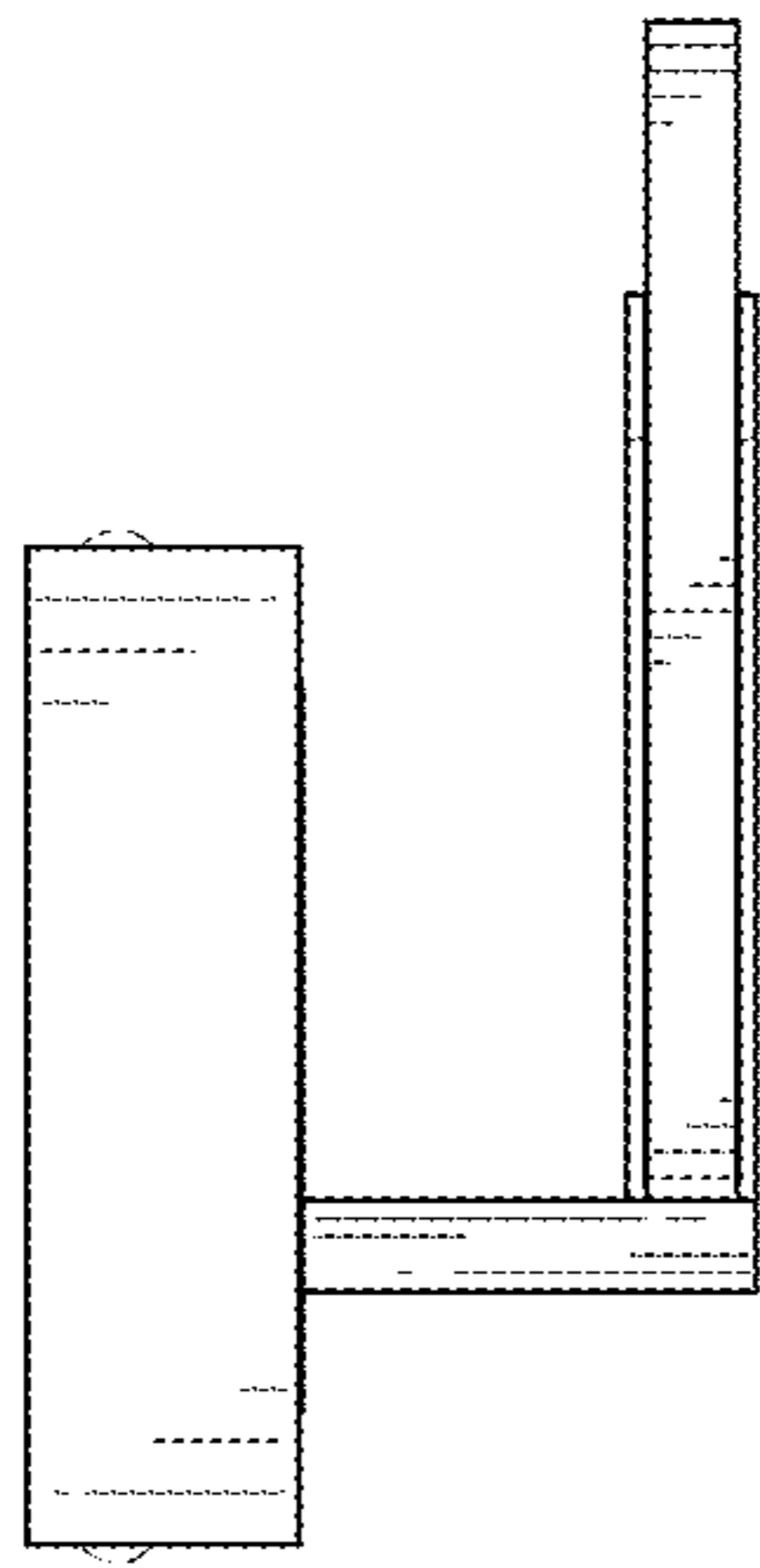


FIG. 5

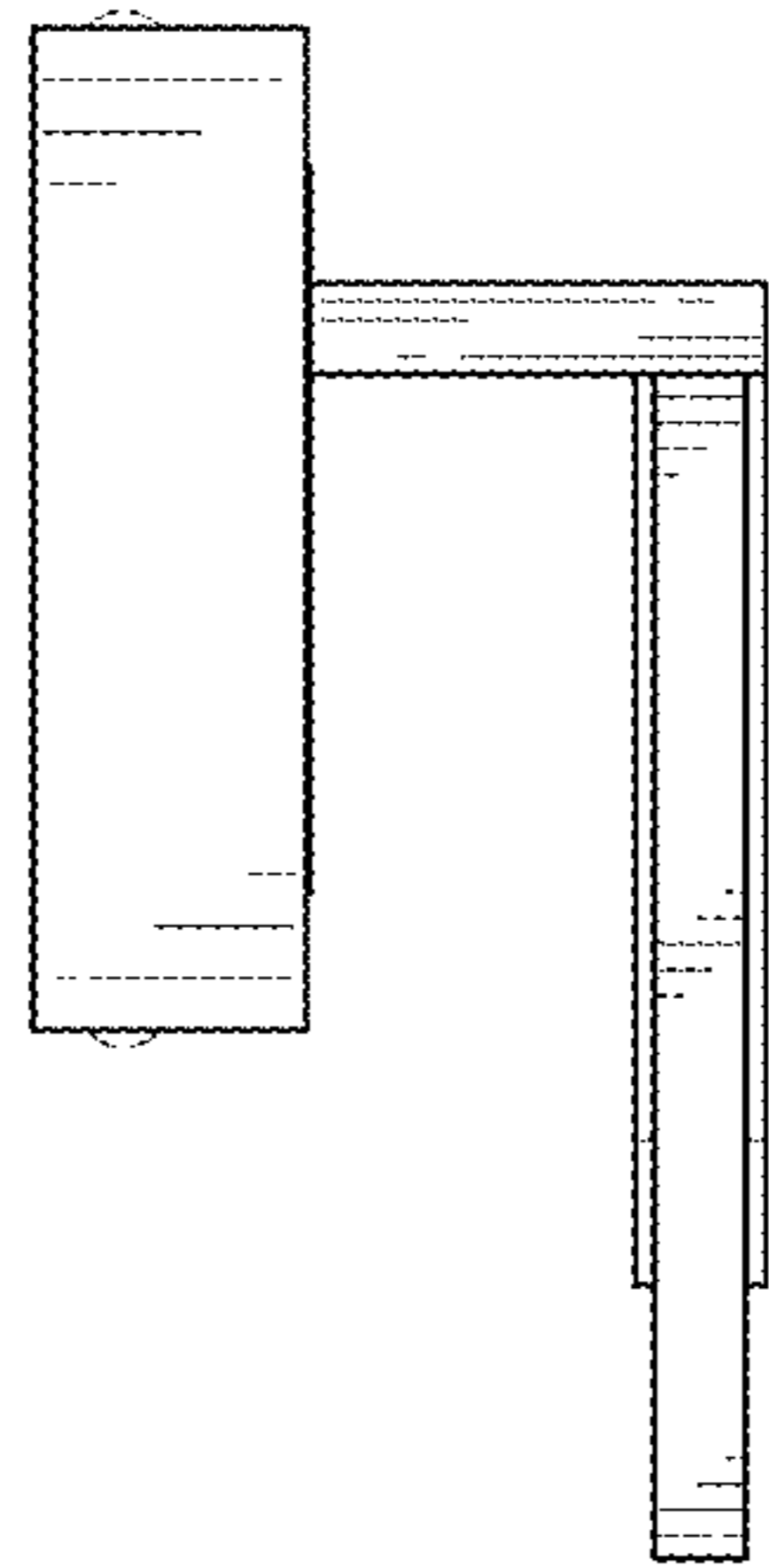


FIG. 6

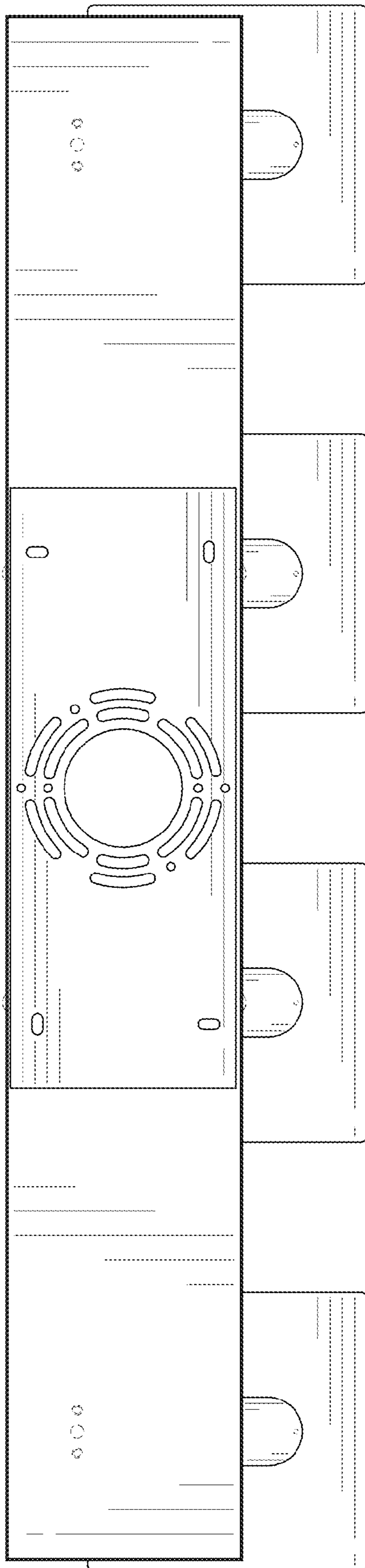


FIG. 7

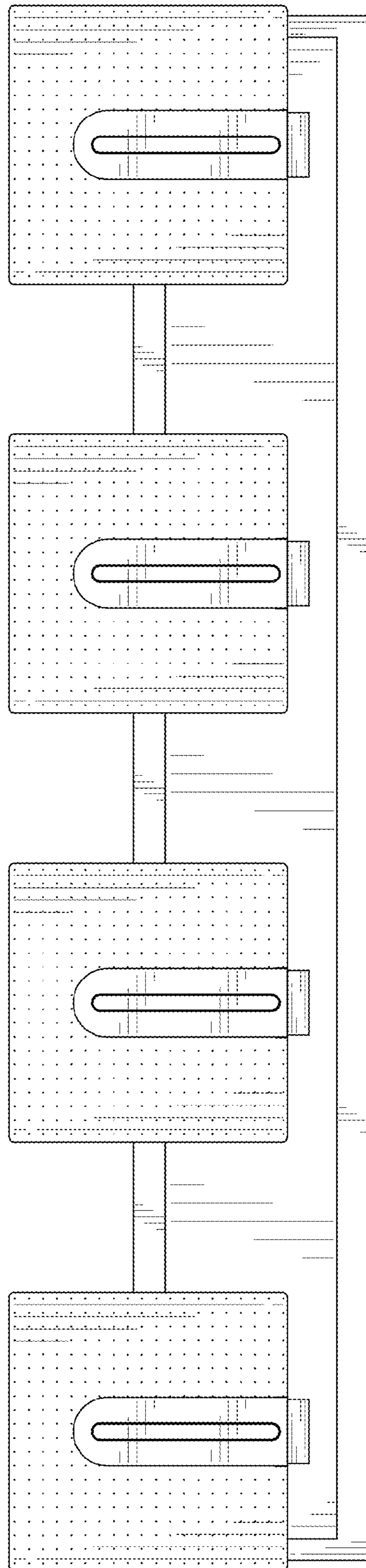


FIG. 8

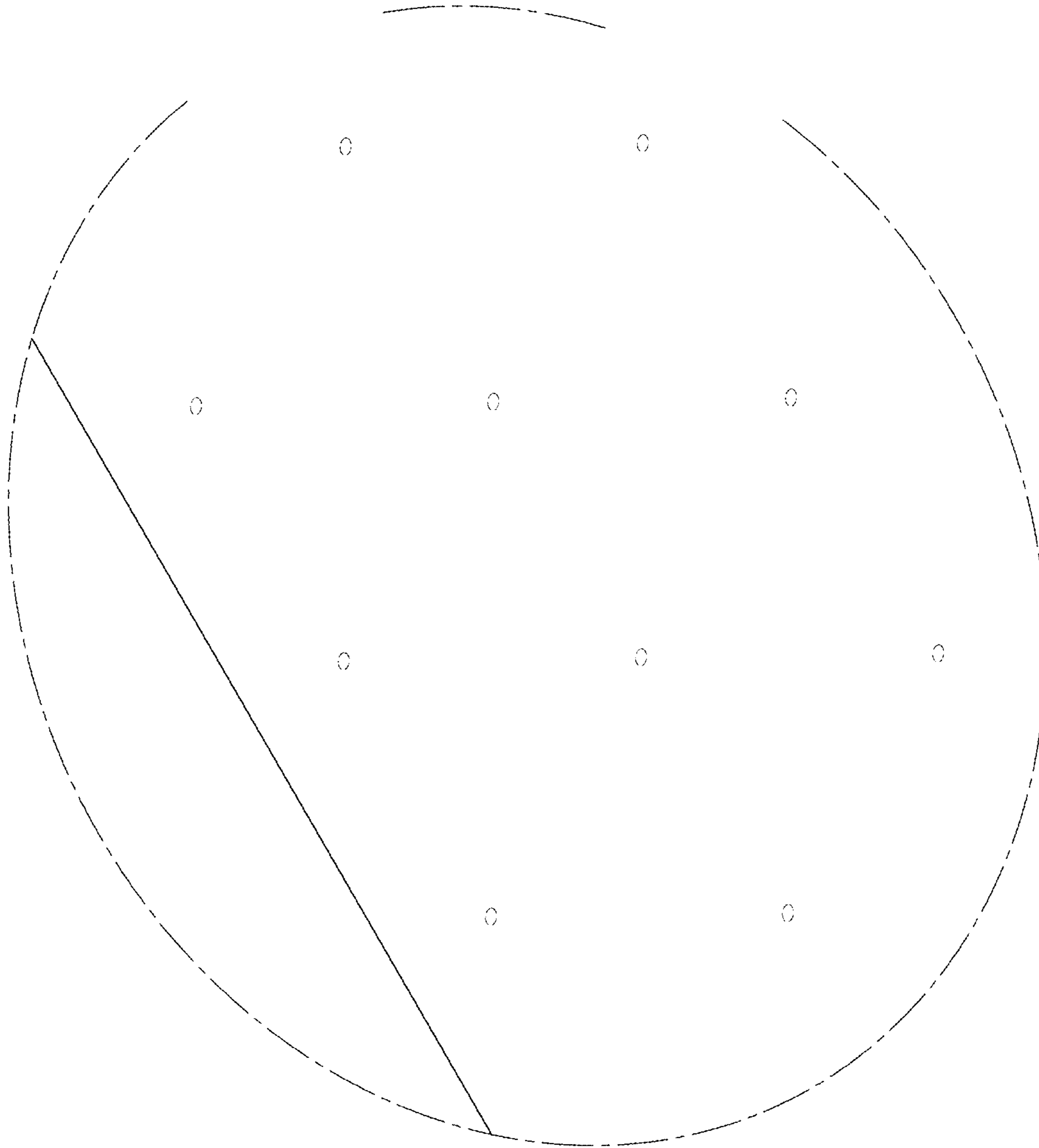


FIG. 9