



US00D925805S

(12) **United States Design Patent** (10) **Patent No.:** **US D925,805 S**  
**Knauff** (45) **Date of Patent:** **\*\* Jul. 20, 2021**

(54) **CEILING LAMP**  
(71) Applicant: **ANSORG GMBH**, Mulheim an der Ruhr (DE)

D378,143 S \* 2/1997 Kollins ..... D26/60  
D390,992 S \* 2/1998 Shemitz ..... D26/63  
D617,929 S \* 6/2010 Kuo ..... D26/60  
(Continued)

(72) Inventor: **Volker Knauff**, Essen (DE)  
(73) Assignee: **Ansorg GmbH**, Mülheim an der Ruhr (DE)

FOREIGN PATENT DOCUMENTS

WO D079617-001 \* 12/2012  
WO D079617-002 \* 12/2012  
(Continued)

(\*\*) Term: **15 Years**

OTHER PUBLICATIONS

(21) Appl. No.: **29/691,885**  
(22) Filed: **May 20, 2019**

“Sun & Sand Sports,” 2015, ansorg.com, site visited Oct. 29, 2020, URL: <https://ansorg.com/en/references/fashion/sun-sand-sports/#/> (Year: 2015).\*

(30) **Foreign Application Priority Data**

Nov. 21, 2018 (WO) ..... WIPO77048

(51) **LOC (13) Cl.** ..... **26-04**

(52) **U.S. Cl.**  
USPC ..... **D26/76**

(58) **Field of Classification Search**  
USPC ..... D26/24, 25, 26, 27, 60–69, 72, 74, 75, D26/76, 77, 78, 80, 81, 82, 83, 85, 86, D26/88, 89, 93, 104, 106, 108–115, 118, D26/120; D10/111–115  
CPC ..... F21S 8/00; F21S 8/03; F21S 8/04; F21S 8/026; F21S 8/046; F21S 8/088; F21V 15/00; F21V 15/01  
See application file for complete search history.

*Primary Examiner* — Eric L Goodman  
*Assistant Examiner* — Sarah L Smith  
(74) *Attorney, Agent, or Firm* — Dentons US LLP

(57) **CLAIM**

The ornamental design for a ceiling lamp, as shown and described.

**DESCRIPTION**

FIG. 1 is a front and right side isometric view of a ceiling lamp;  
FIG. 2 is a rear and left side isometric view thereof;  
FIG. 3 is a front elevation view thereof;  
FIG. 4 is a right-side elevation view thereof, the left-side view being a mirror image of the right-side view;  
FIG. 5 is a rear elevation view thereof;  
FIG. 6 is a top view thereof; and,  
FIG. 7 is a bottom view thereof.

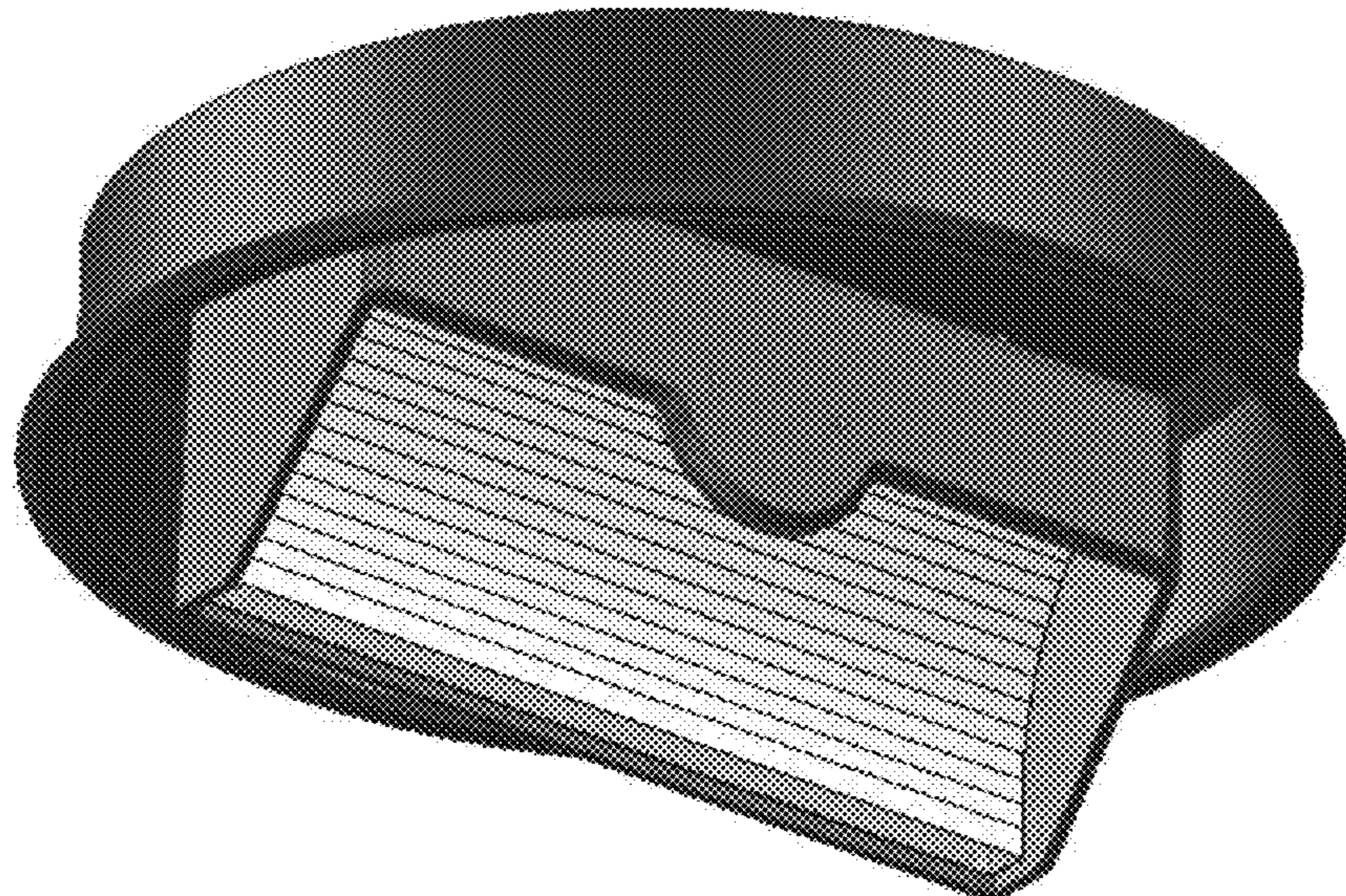
The drawings include surface shading that represents contour and not surface ornamentation.  
The broken lines in the drawings depict parts of the article that form no part of the claimed design.

(56) **References Cited**

U.S. PATENT DOCUMENTS

2,323,073 A \* 6/1943 Netting ..... H01R 33/02 362/225  
D191,762 S \* 11/1961 Rothman ..... D26/76  
D203,060 S \* 11/1965 Schaefer ..... D26/76  
D216,911 S \* 3/1970 Specht ..... D26/24  
D229,628 S \* 12/1973 Wolfson ..... D26/67  
D364,479 S \* 11/1995 Gilbert ..... D26/75

**1 Claim, 3 Drawing Sheets**



(56)

References Cited

U.S. PATENT DOCUMENTS

D623,787	S	*	9/2010	Kuo	.....	D26/60
D629,548	S	*	12/2010	Cai	.....	D26/63
D653,377	S	*	1/2012	Guercio	.....	D26/85
D774,681	S	*	12/2016	Liang	.....	D26/85
D834,736	S	*	11/2018	Liu	.....	26/85
D862,764	S	*	10/2019	Deng	.....	D26/72
D873,471	S	*	1/2020	Nielsen	.....	D26/89
2017/0303363	A1	*	10/2017	Pyshos	.....	F21V 5/04
2018/0035510	A1	*	2/2018	Doheny	.....	F21V 19/0015
2018/0166026	A1	*	6/2018	Kumar	.....	F21S 8/04
2018/0310381	A1	*	10/2018	Bowen	.....	F21V 23/04
2019/0027099	A1	*	1/2019	Kumar	.....	H05B 45/10
2019/0261482	A1	*	8/2019	Udavant	.....	H05B 45/10
2019/0318697	A1	*	10/2019	Kumar	.....	H05B 45/24
2020/0305250	A1	*	9/2020	Bowen	.....	F21V 23/002

FOREIGN PATENT DOCUMENTS

WO	D103112-001	*	10/2018
WO	D103112-002	*	10/2018

OTHER PUBLICATIONS

“Dodo Outlet Center,” 2017, ansorg.com, site visited Oct. 29, 2020, URL: <https://ansorg.com/en/references/home-stores/dodo-outlet-store/#/> (Year: 2017).\*

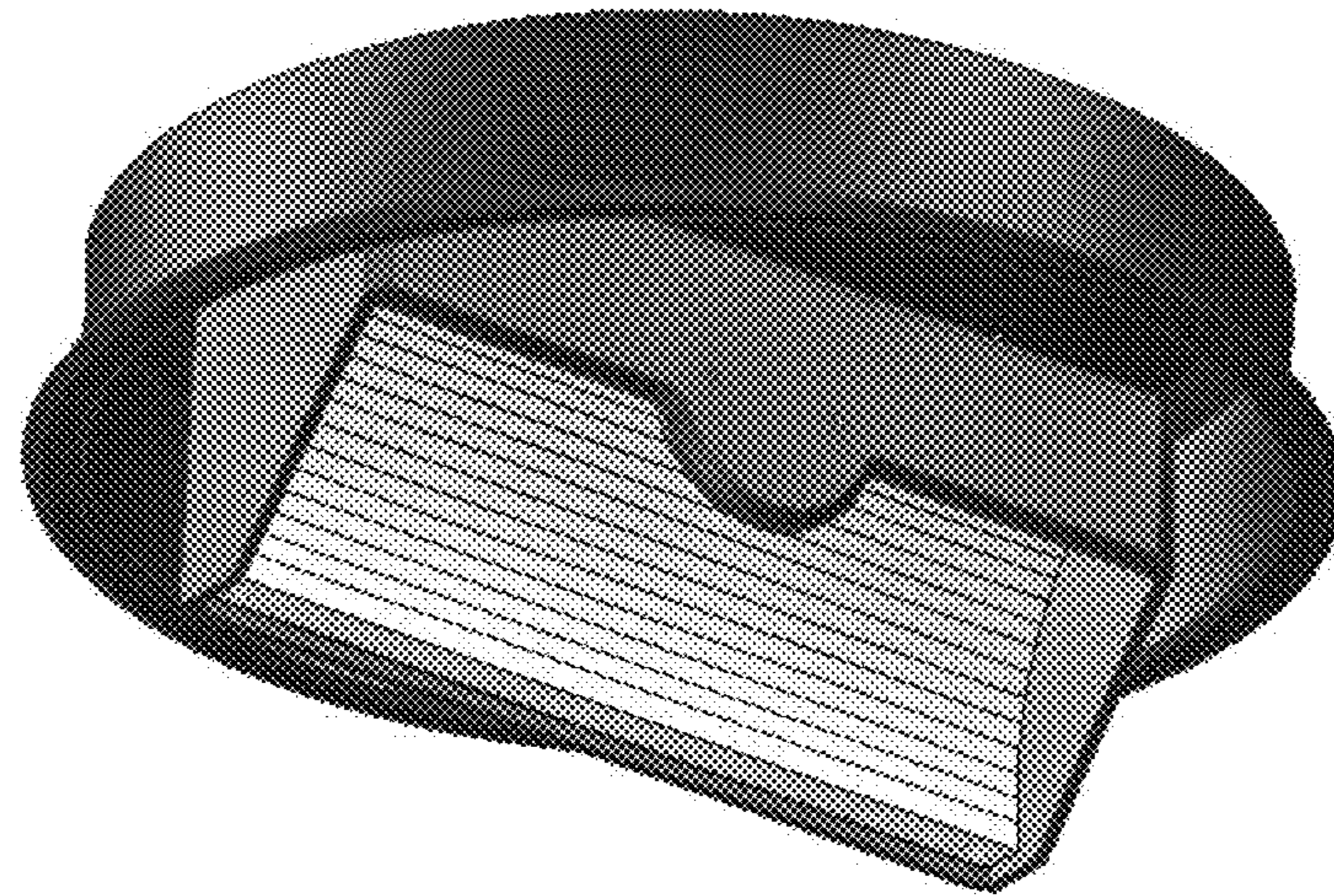
“Lighting Tools 2017,” 2017, archiexpo.com, site visited Nov. 6, 2020, URL: <https://pdf.archiexpo.com/pdf/ansorg/lighting-tools-2017/53320-293190.html> (Year: 2017).\*

“Bio & Co,” 2017, ansorg.com, site visited Oct. 29, 2020, URL: <https://ansorg.com/en/references/food/bio-co-vallauris/#/> (Year: 2017).\*

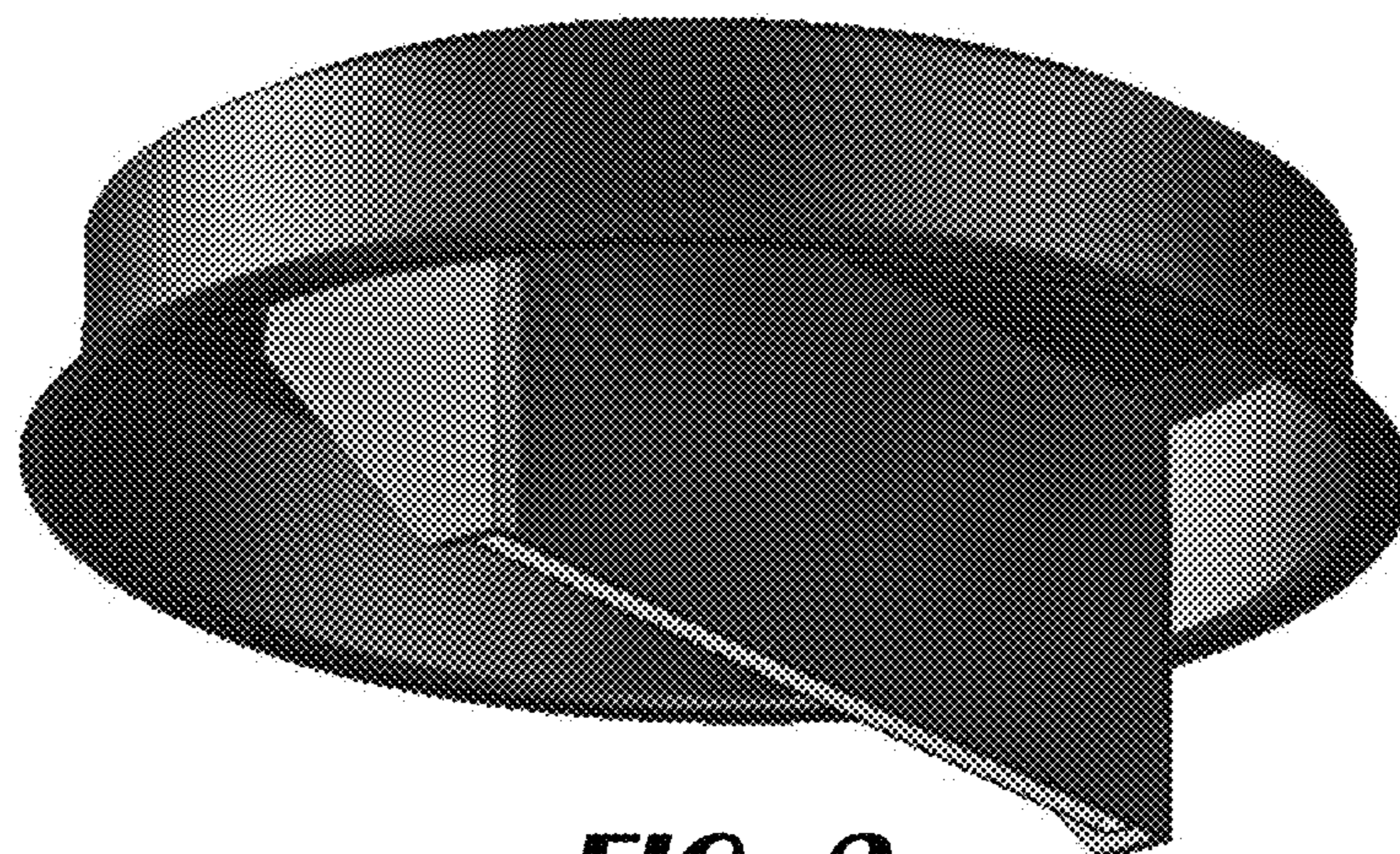
“Organic Farma Zdrowia,” 2018, ansorg.com, site visited Oct. 29, 2020, URL: <https://ansorg.com/en/references/food/organic-farma-zdrowia/#/> (Year: 2018).\*

\* cited by examiner



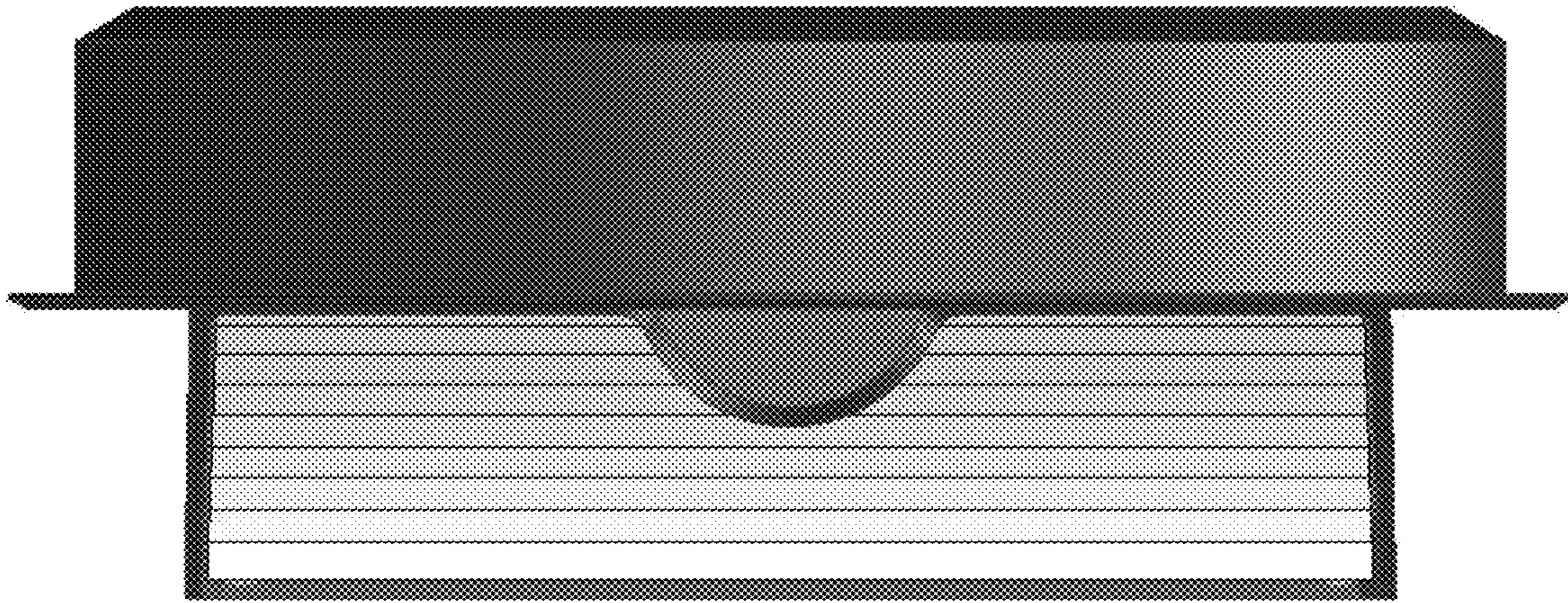


**FIG. 1**

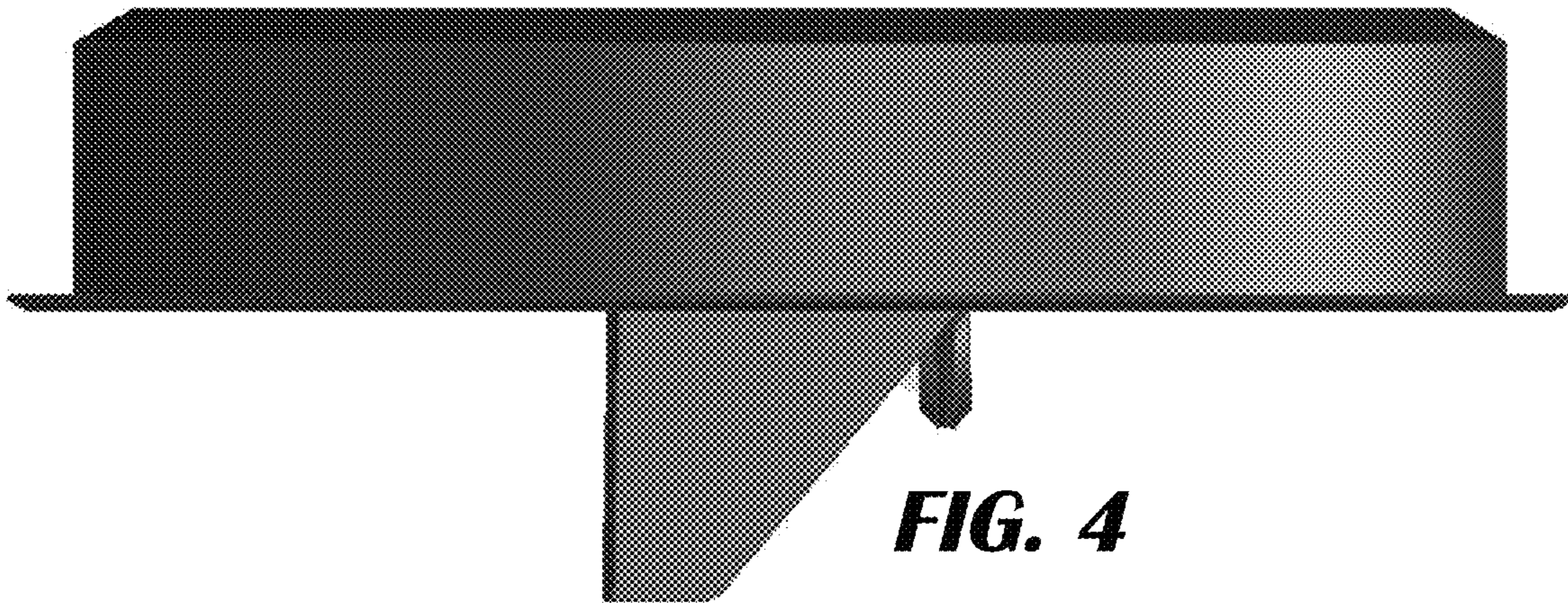


**FIG. 2**

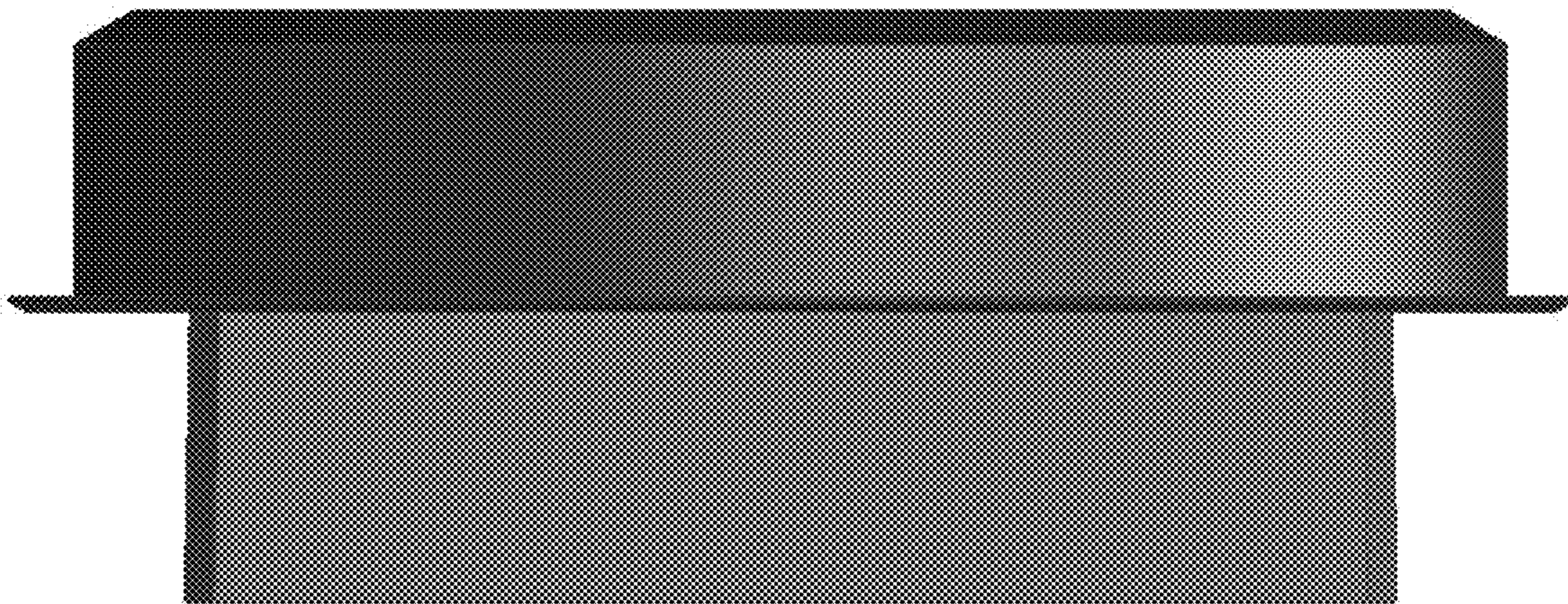




**FIG. 3**

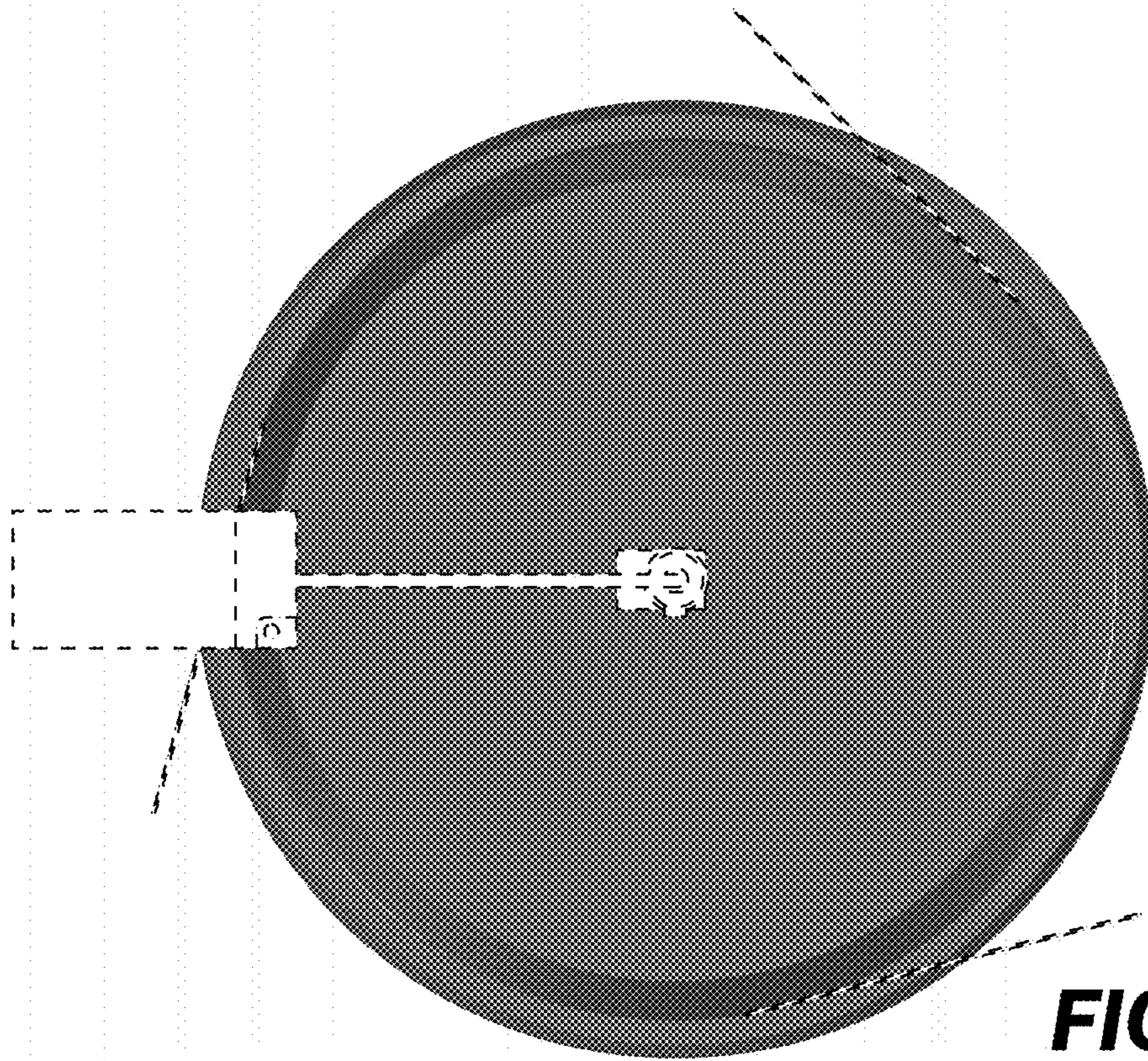


**FIG. 4**

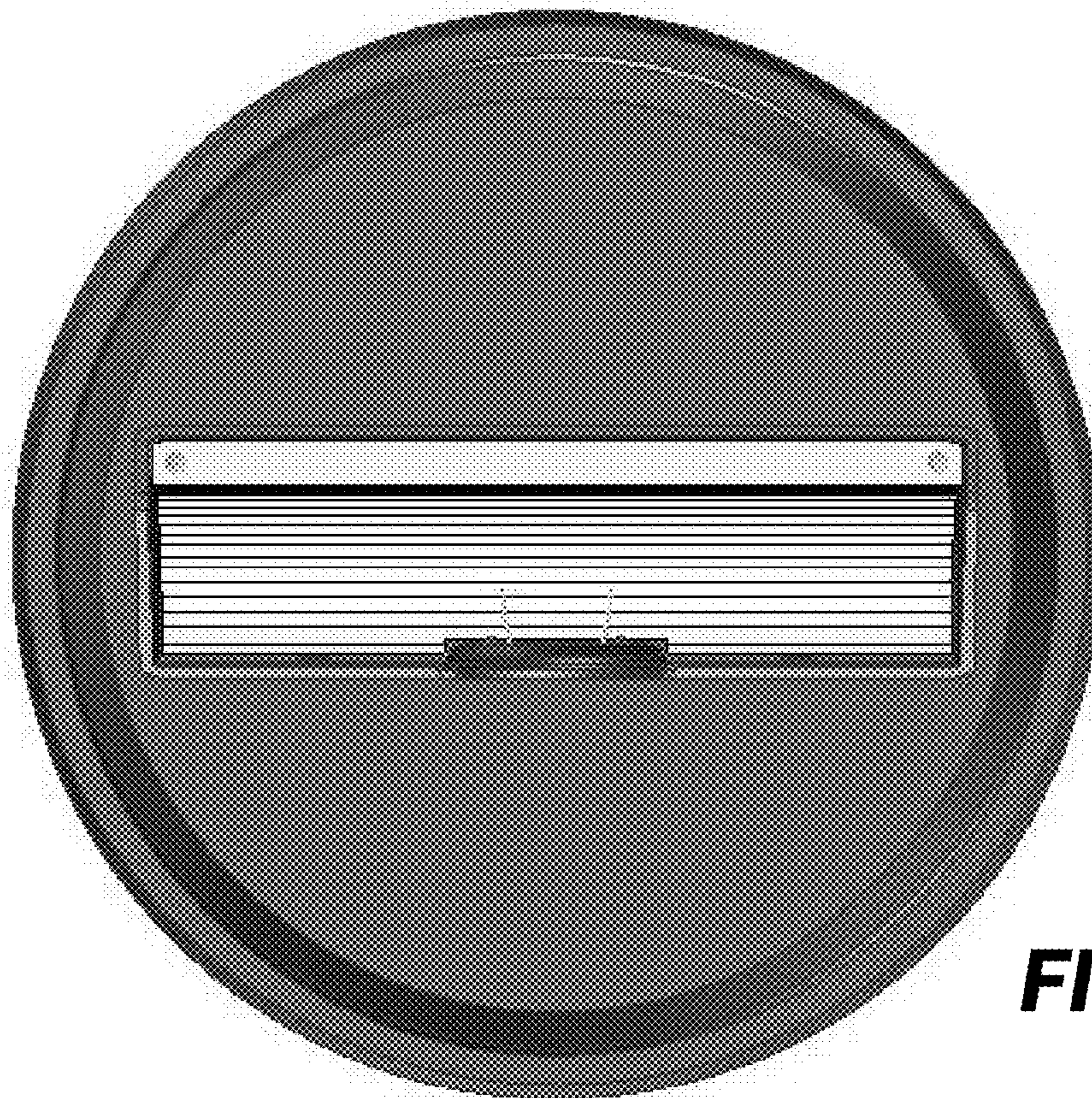


**FIG. 5**





**FIG. 6**



**FIG. 7**