



US00D925803S

(12) **United States Design Patent**
Zhong

(10) **Patent No.:** **US D925,803 S**

(45) **Date of Patent:** **** Jul. 20, 2021**

(54) **GROUND LIGHT**

(71) Applicant: **NINGBO BRIGHT MAX CO., LTD,**
Ningbo (CN)

(72) Inventor: **Ziyan Zhong,** Ningbo (CN)

(**) Term: **15 Years**

(21) Appl. No.: **29/774,446**

(22) Filed: **Mar. 17, 2021**

(51) **LOC (13) Cl.** **26-05**

(52) **U.S. Cl.**
USPC **D26/67**

(58) **Field of Classification Search**
USPC D26/63, 67-70, 85
CPC .. F21S 8/022; F21S 8/032; F21S 8/036; F21S
8/081; F21S 8/083; F21S 8/088; F21S
9/02; F21S 9/037; F21S 10/046; F21V
21/0824; F21W 2131/109; F21W
2111/02; F21W 2111/023

See application file for complete search history.

(56) **References Cited**

U.S. PATENT DOCUMENTS

D558,908 S *	1/2008	Waedeled	D26/67
D574,104 S *	7/2008	Sanoner	D26/67
D616,129 S *	5/2010	Sanoner	D26/67
D674,962 S	1/2013	Drake et al.		
D743,079 S	11/2015	Adair		
D792,010 S	7/2017	Bobel		
D800,364 S *	10/2017	Lee	D26/67
D836,811 S *	12/2018	Shundong	D26/67
D882,144 S *	4/2020	Zhu	D26/67
D885,631 S *	5/2020	Li	D26/67
D890,975 S *	7/2020	Shang	D26/67
D895,875 S *	9/2020	Wang	D26/67

D905,313 S *	12/2020	Liao	D26/67
D905,887 S *	12/2020	Li	D26/67
D905,888 S *	12/2020	Li	D26/67
2019/0128486 A1 *	5/2019	Hollinger	F21S 9/037

OTHER PUBLICATIONS

JustFor Solar Ground Lights ASIN: B08GPT94CJ available at amazon.com Sep. 19, 2020. (Year: 2020).*

CHINLY Colorful Solar Driveway Lights available at amazon.com Dec. 31, 2019. (Year: 2019).*

* cited by examiner

Primary Examiner — Clare E Heflin

(57) **CLAIM**

The ornamental design for a ground light, as shown and described.

DESCRIPTION

FIG. 1 is a first perspective view of a ground light showing my new design;

FIG. 2 is a second perspective view thereof;

FIG. 3 is a front view thereof;

FIG. 4 is a back view thereof;

FIG. 5 is a left side view thereof;

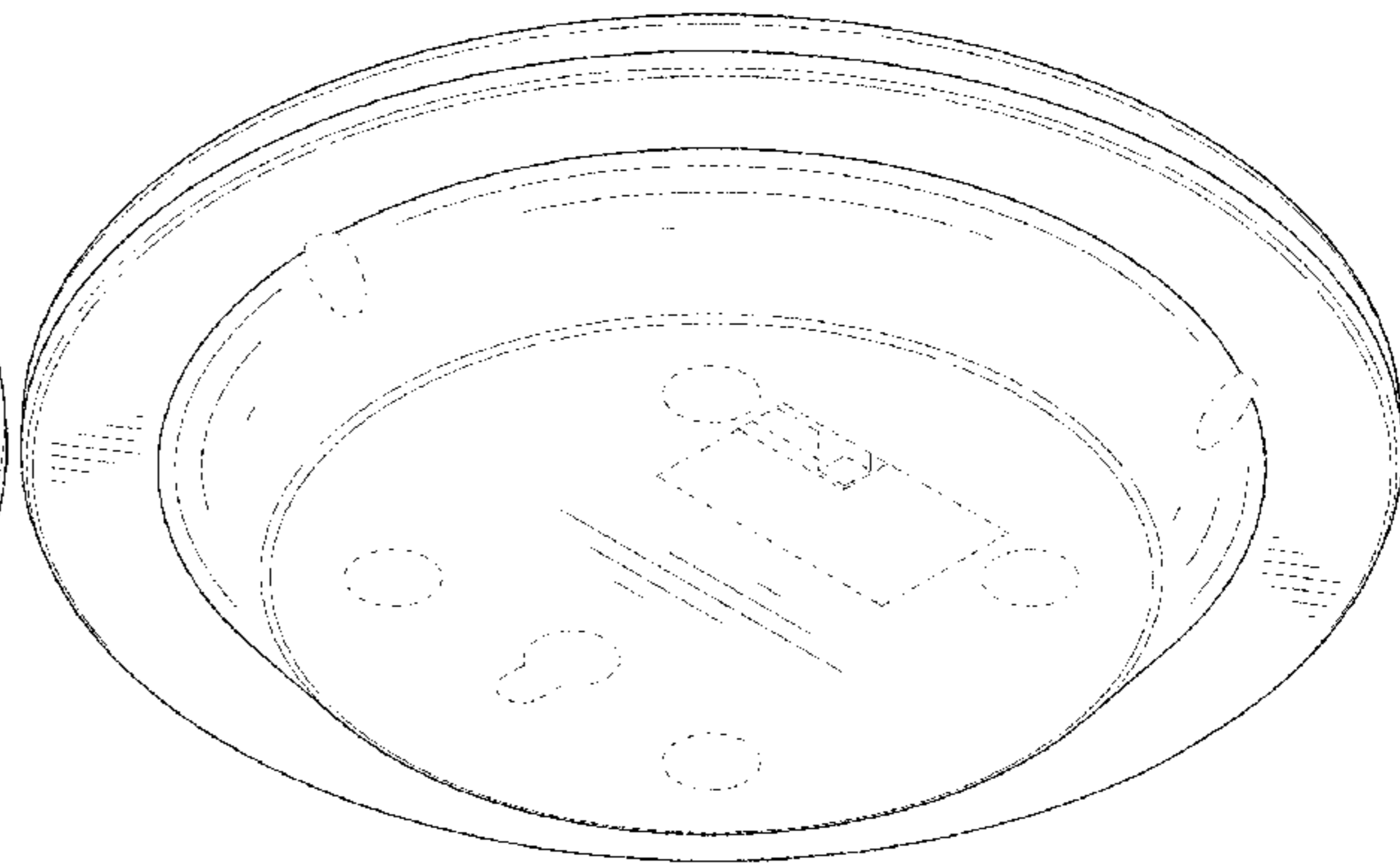
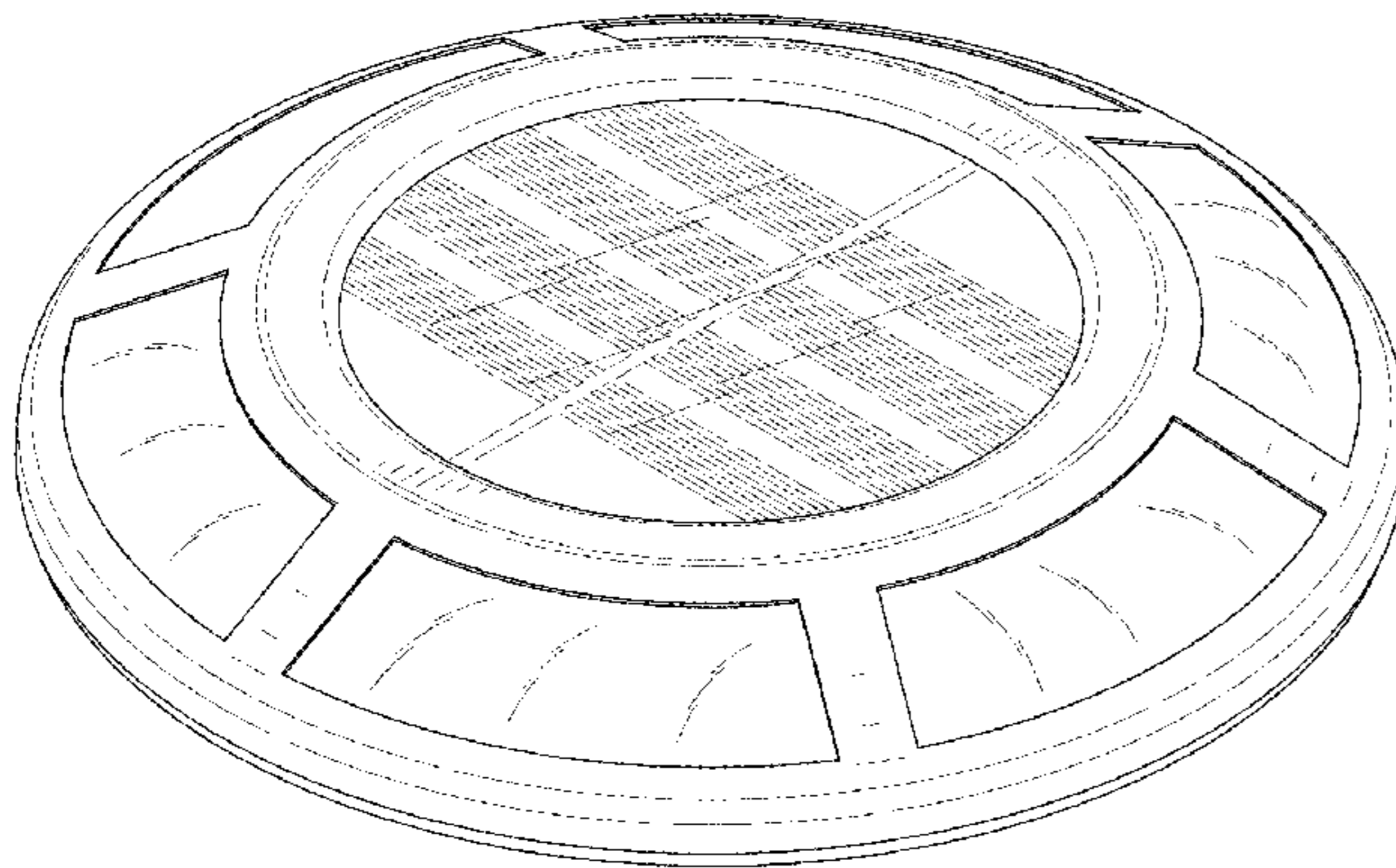
FIG. 6 is a right side view thereof;

FIG. 7 is a top view thereof; and,

FIG. 8 is a bottom view thereof.

The broken lines shown in the drawings depict portions of the ground light in which the design is embodied that form no part of the claimed design.

1 Claim, 8 Drawing Sheets



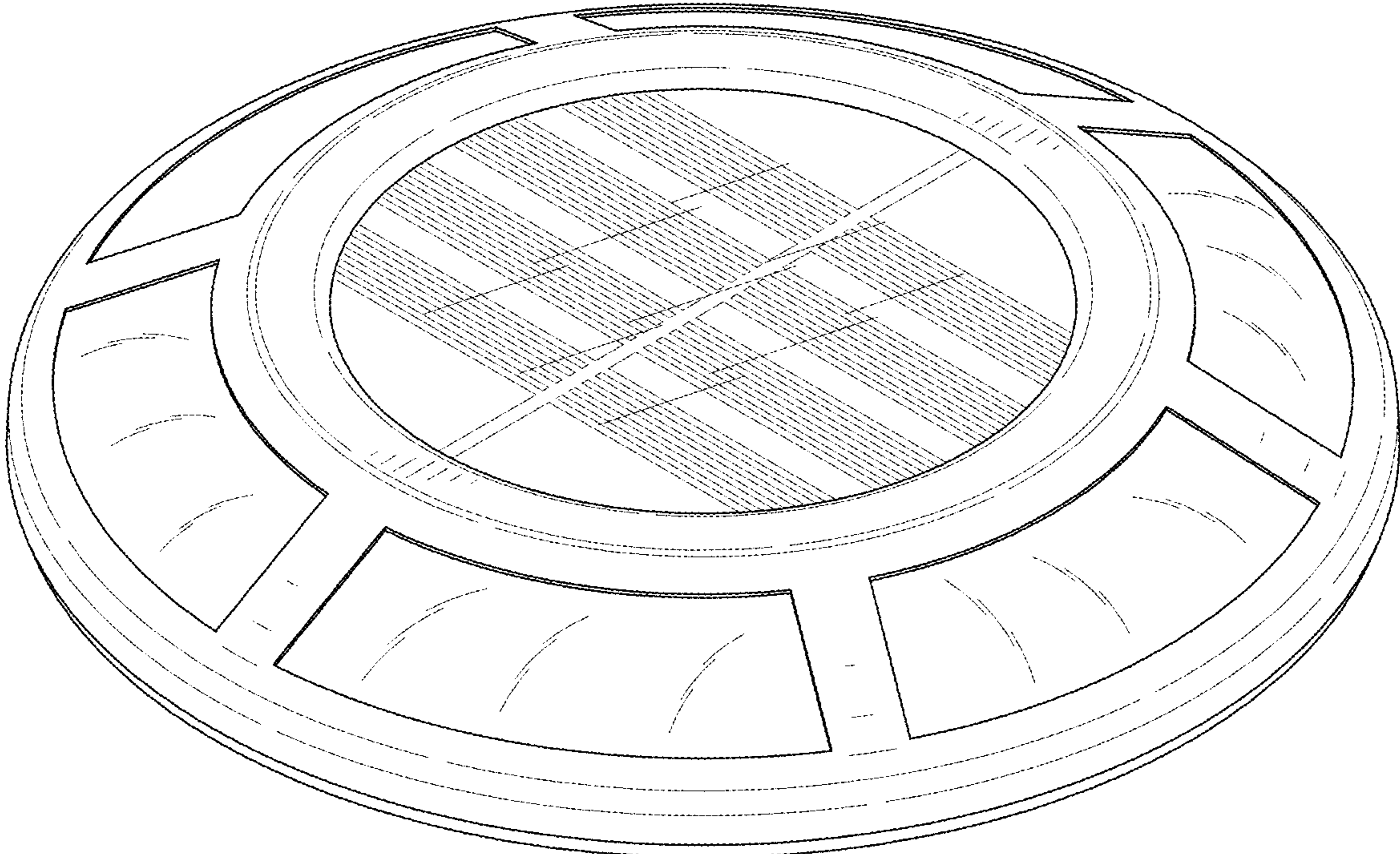


FIG. 1

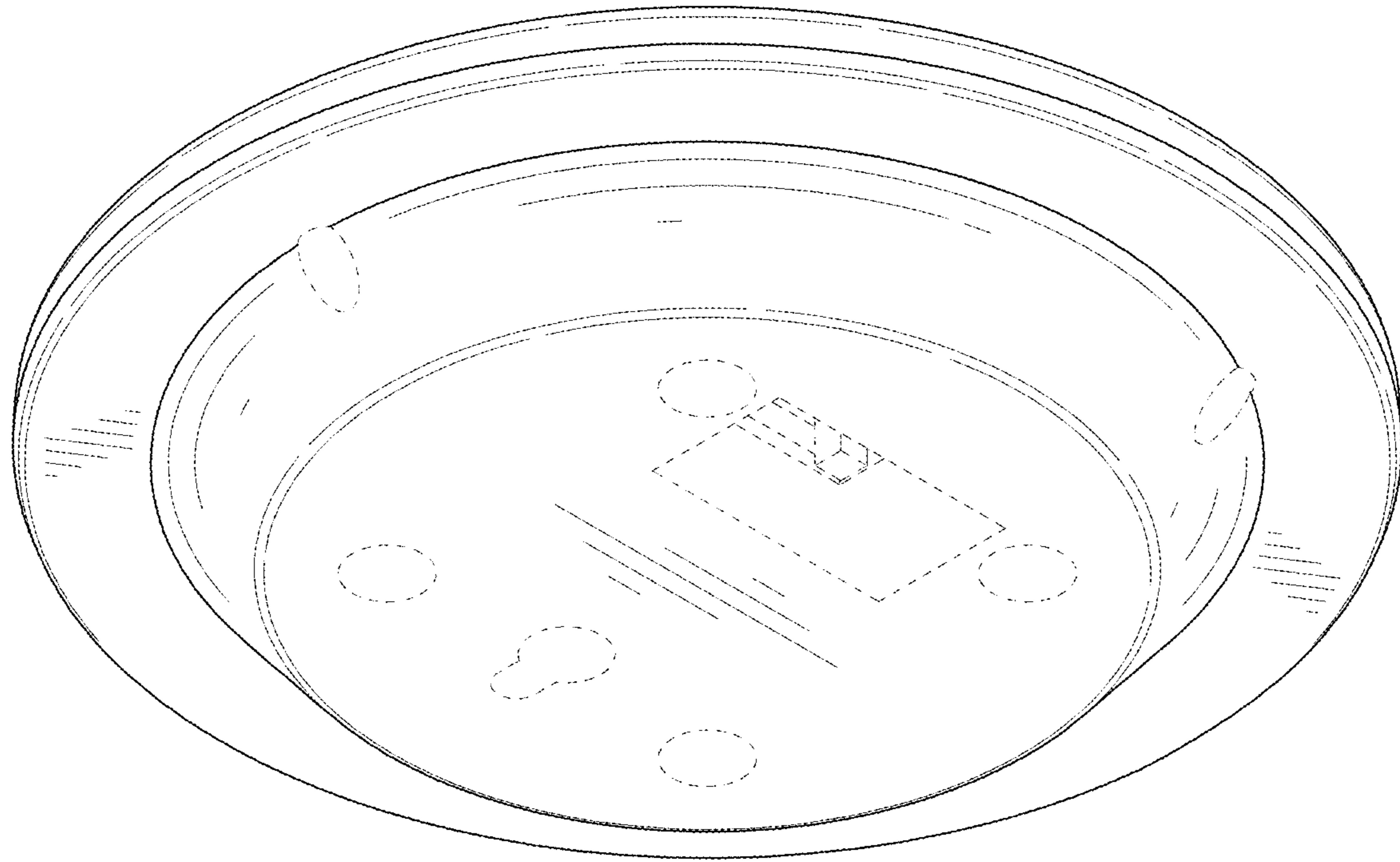


FIG. 2

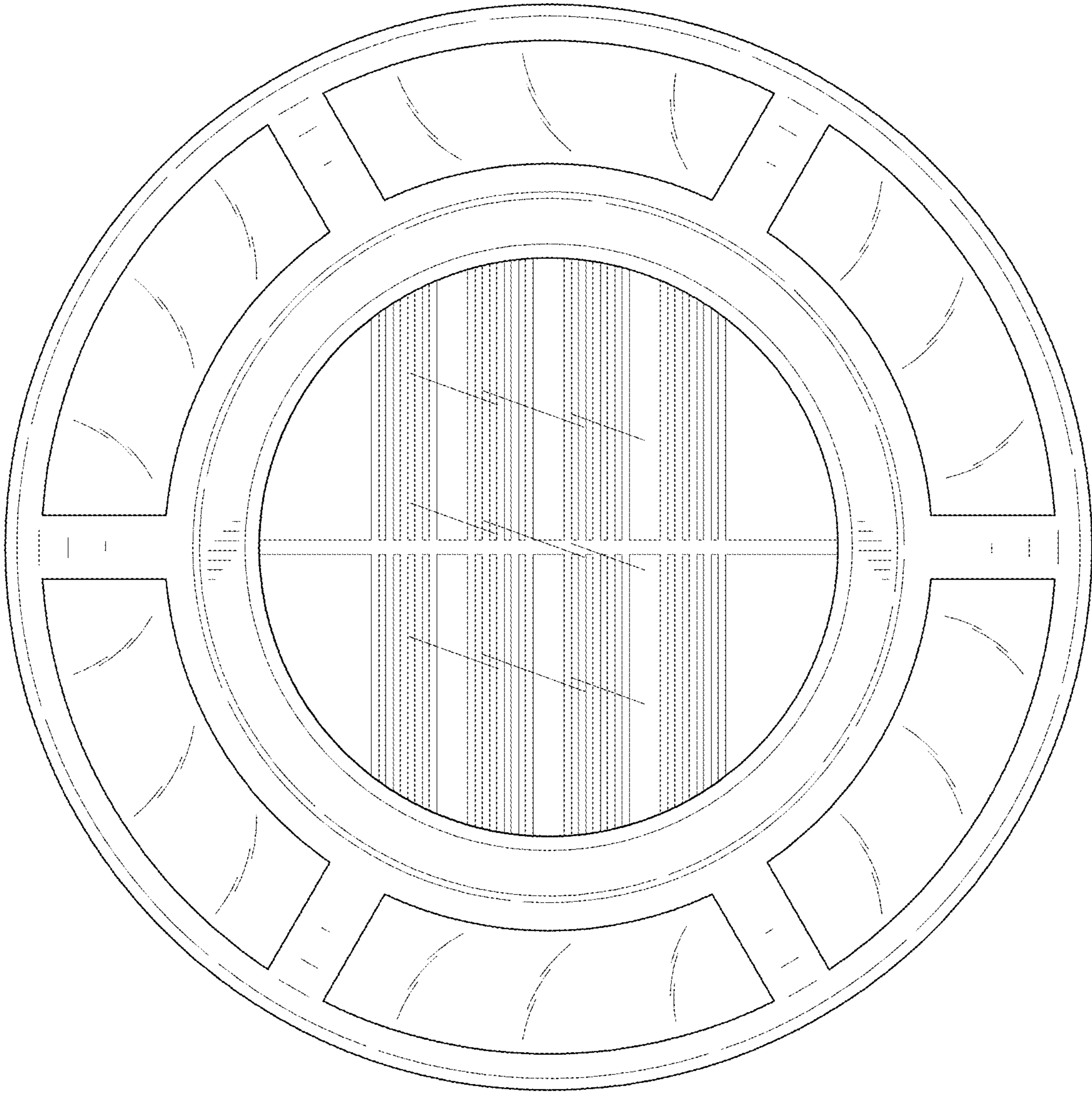


FIG. 3

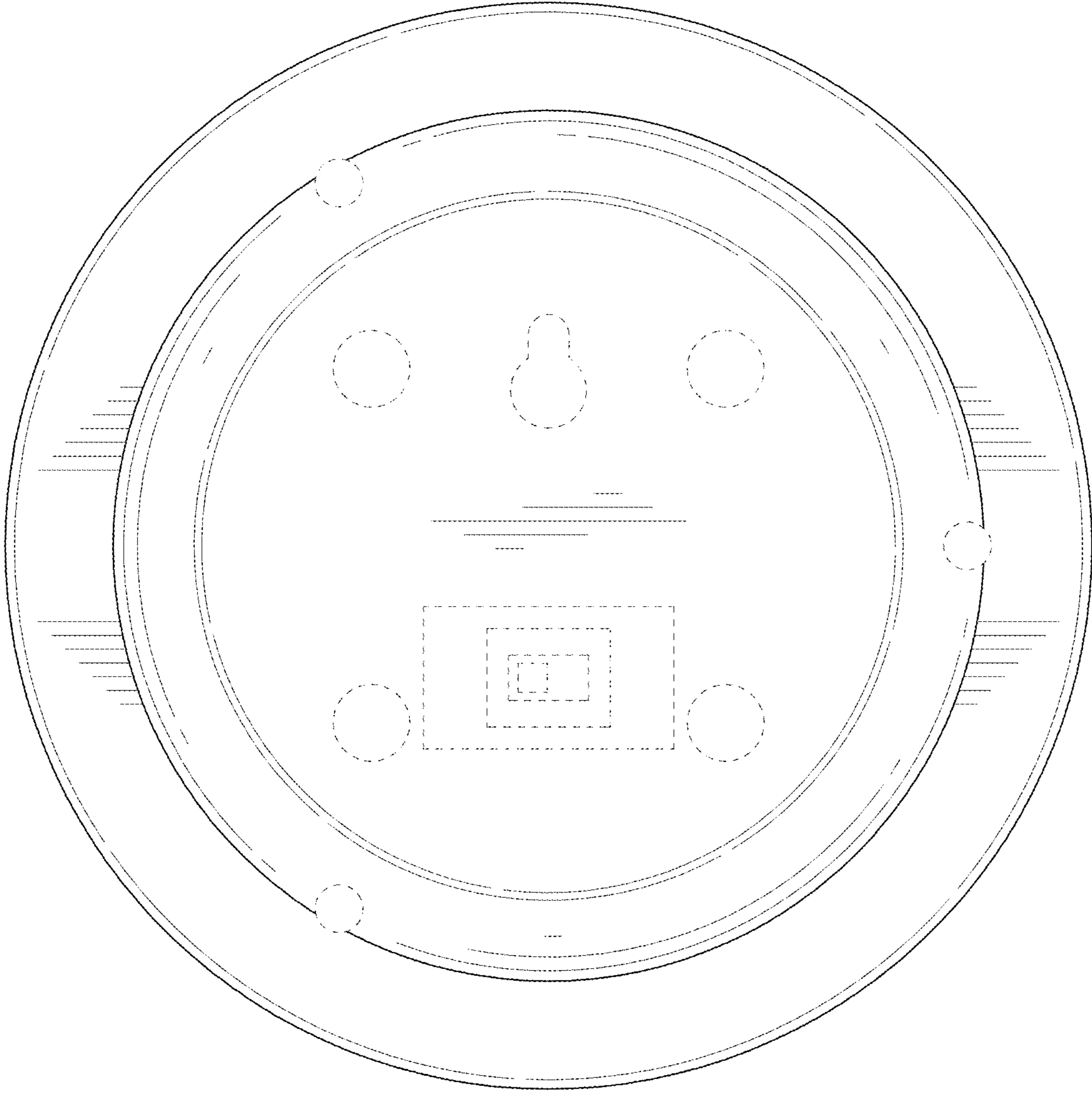


FIG. 4

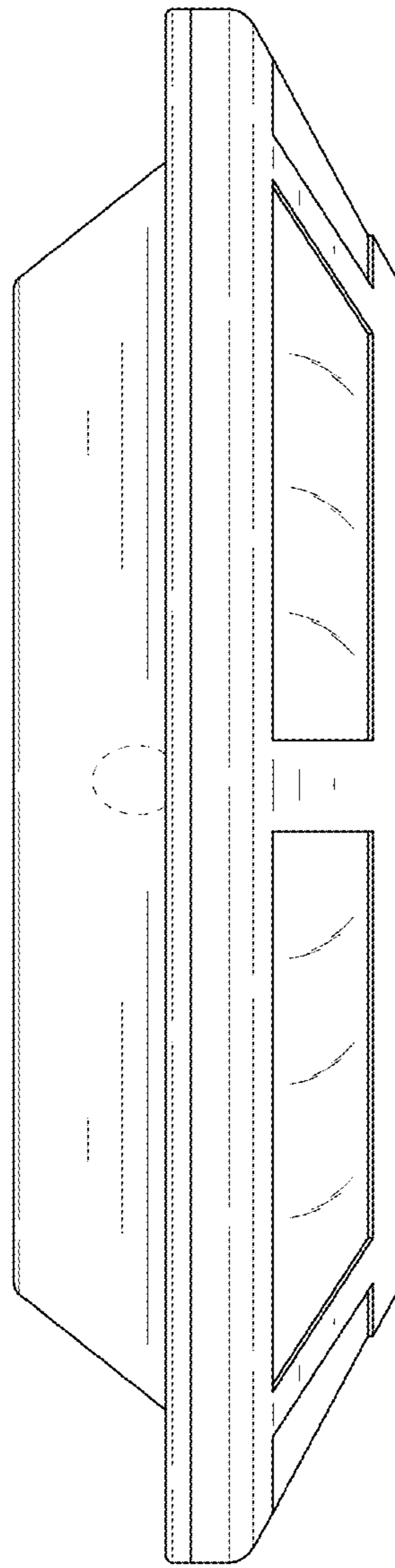


FIG. 5

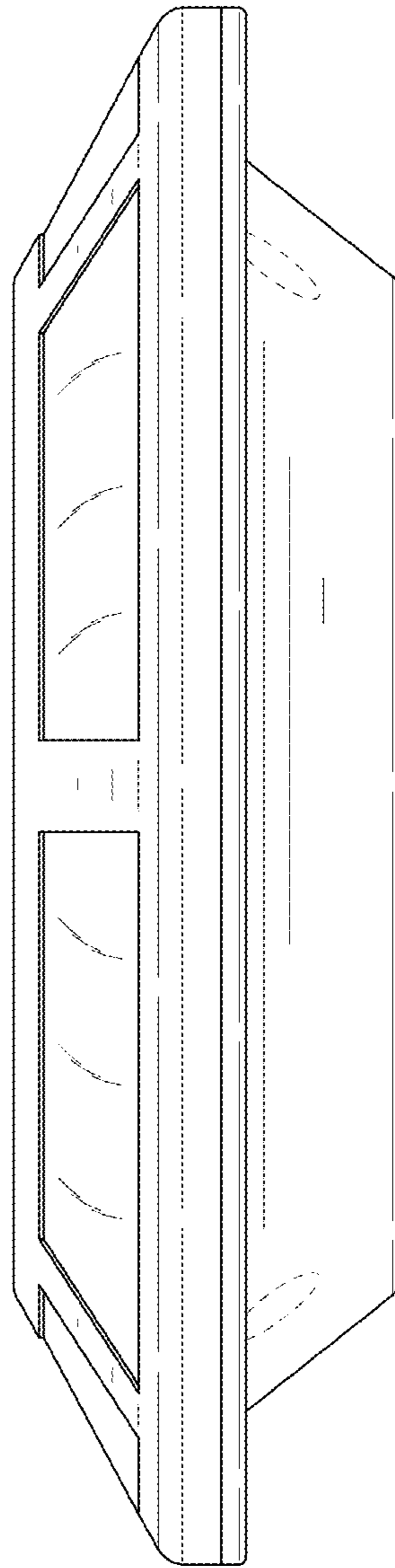


FIG. 6

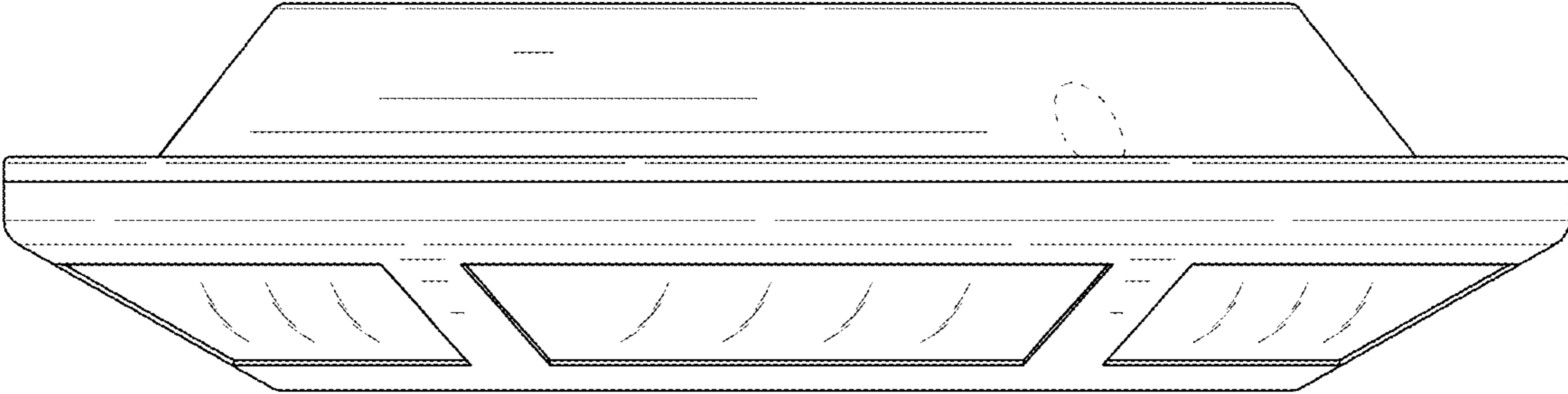


FIG. 7

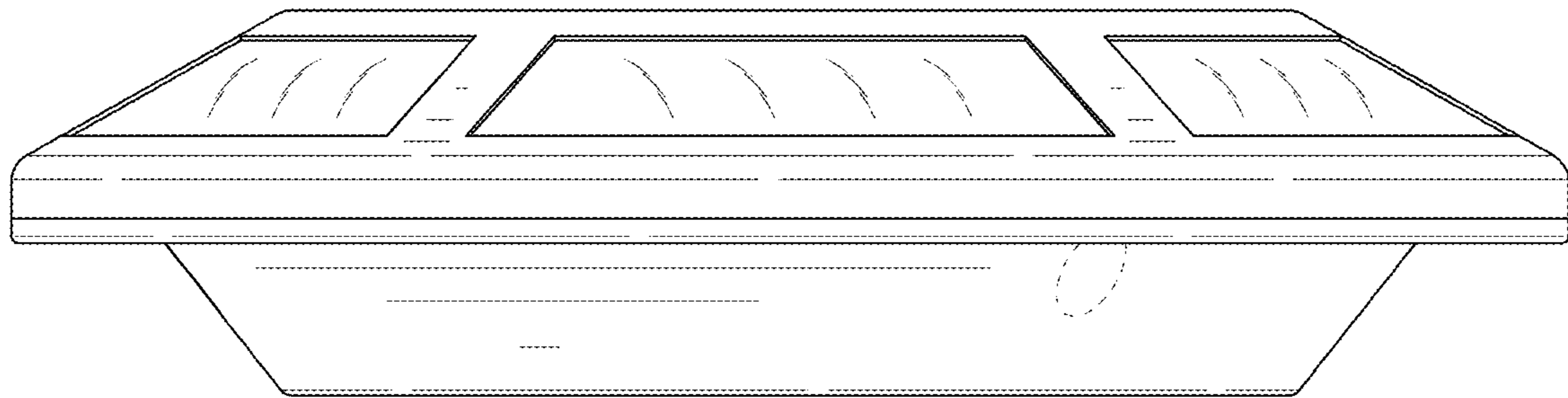


FIG. 8