



US00D925801S

(12) **United States Design Patent**
Hallack et al.

(10) **Patent No.:** **US D925,801 S**

(45) **Date of Patent:** **** Jul. 20, 2021**

(54) **MEDICAL LIGHT**

(71) Applicants: **Gentex Corporation**, Zeeland, MI (US); **Mayo Foundation for Medical Education and Research**, Rochester, MN (US)

(72) Inventors: **Jason D. Hallack**, Allendale, MI (US); **Bradley R. Hamlin**, Allendale, MI (US)

(73) Assignees: **GENTEX CORPORATION**, Zeeland, MI (US); **MAYO FOUNDATION FOR MEDICAL EDUCATION AND RESEARCH**, Rochester, MN (US)

(**) **Term:** **15 Years**

(21) Appl. No.: **29/644,064**

(22) Filed: **Apr. 13, 2018**

(51) **LOC (13) Cl.** **26-05**

(52) **U.S. Cl.**
USPC **D26/65**

(58) **Field of Classification Search**
USPC D26/1, 2, 24, 60, 61, 63-66, 72, 75, 80, D26/81, 83, 85, 87, 88, 92, 113, 118, D26/119, 138, 142, 145
CPC A61B 1/06; A61B 5/00; A61B 5/1172; A61B 34/00; A61B 90/00; A61B 90/30; A61B 90/35; G16H 20/40; F21V 21/30; F21V 21/04; F21V 23/04; H04N 5/2354; H05B 47/125

See application file for complete search history.

(56) **References Cited**

U.S. PATENT DOCUMENTS

D214,188 S * 5/1969 Lauterbach D26/65
D335,360 S * 5/1993 Yamada D26/65
D336,146 S * 6/1993 Yamada D26/65
7,513,645 B2 * 4/2009 Marka F21V 23/04
362/249.09

7,746,009 B2 * 6/2010 Held F21V 23/04
315/362
D699,879 S * 2/2014 Haenel D26/63
D713,080 S * 9/2014 Giaffreda D26/65
D898,265 S * 10/2020 Bao D26/63
D898,266 S * 10/2020 Krol D26/63

(Continued)

FOREIGN PATENT DOCUMENTS

DE M9406080-0002 1/1995
EM 000809686-0001 11/2007

Primary Examiner — Shawn T Gingrich

(74) *Attorney, Agent, or Firm* — Price Heneveld LLP; Bradley D. Johnson

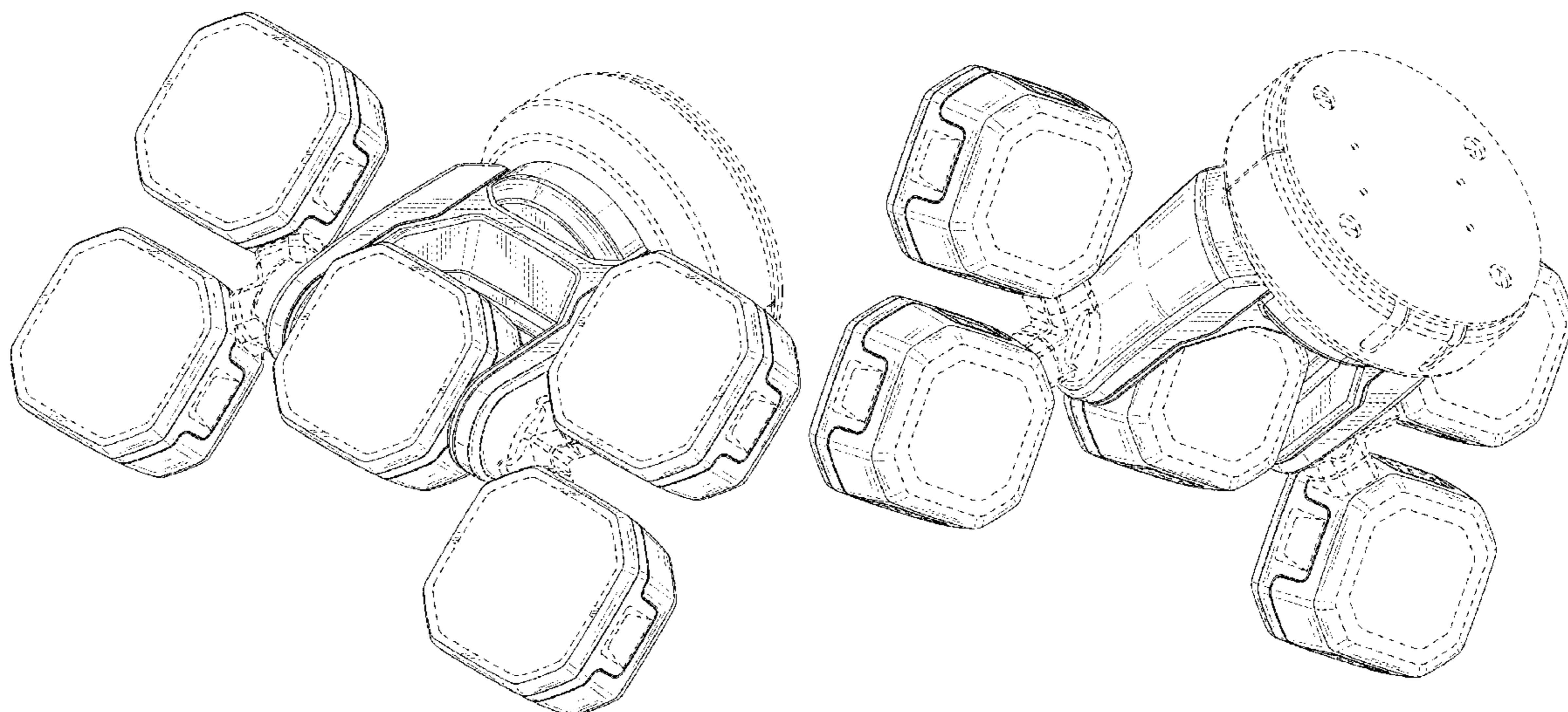
(57) **CLAIM**

We claim the ornamental design for a medical light, as shown and described.

DESCRIPTION

FIG. 1 is a front perspective view of a medical light of the present disclosure;
FIG. 2 is a rear perspective view of the medical light of FIG. 1;
FIG. 3 is a bottom elevational view of the medical light of FIG. 1;
FIG. 4 is a top elevational view of the medical light of FIG. 1;
FIG. 5 is a first side elevational view of the medical light of FIG. 1;
FIG. 6 is a second side elevational view of the medical light of FIG. 1;
FIG. 7 is a third side elevational view of the medical light of FIG. 1; and,
FIG. 8 is a fourth side elevational view of the medical light of FIG. 1.
The broken lines depict portions of the article that form no part of the claimed design.

1 Claim, 8 Drawing Sheets



(56)

References Cited

U.S. PATENT DOCUMENTS

2009/0318771	A1 *	12/2009	Marka	H05B 45/00 600/249
2019/0060026	A1 *	2/2019	Geerlings	A61B 90/39
2020/0214787	A1 *	7/2020	Hallack	A61B 90/35
2020/0214788	A1 *	7/2020	Hallack	A61B 90/36

* cited by examiner

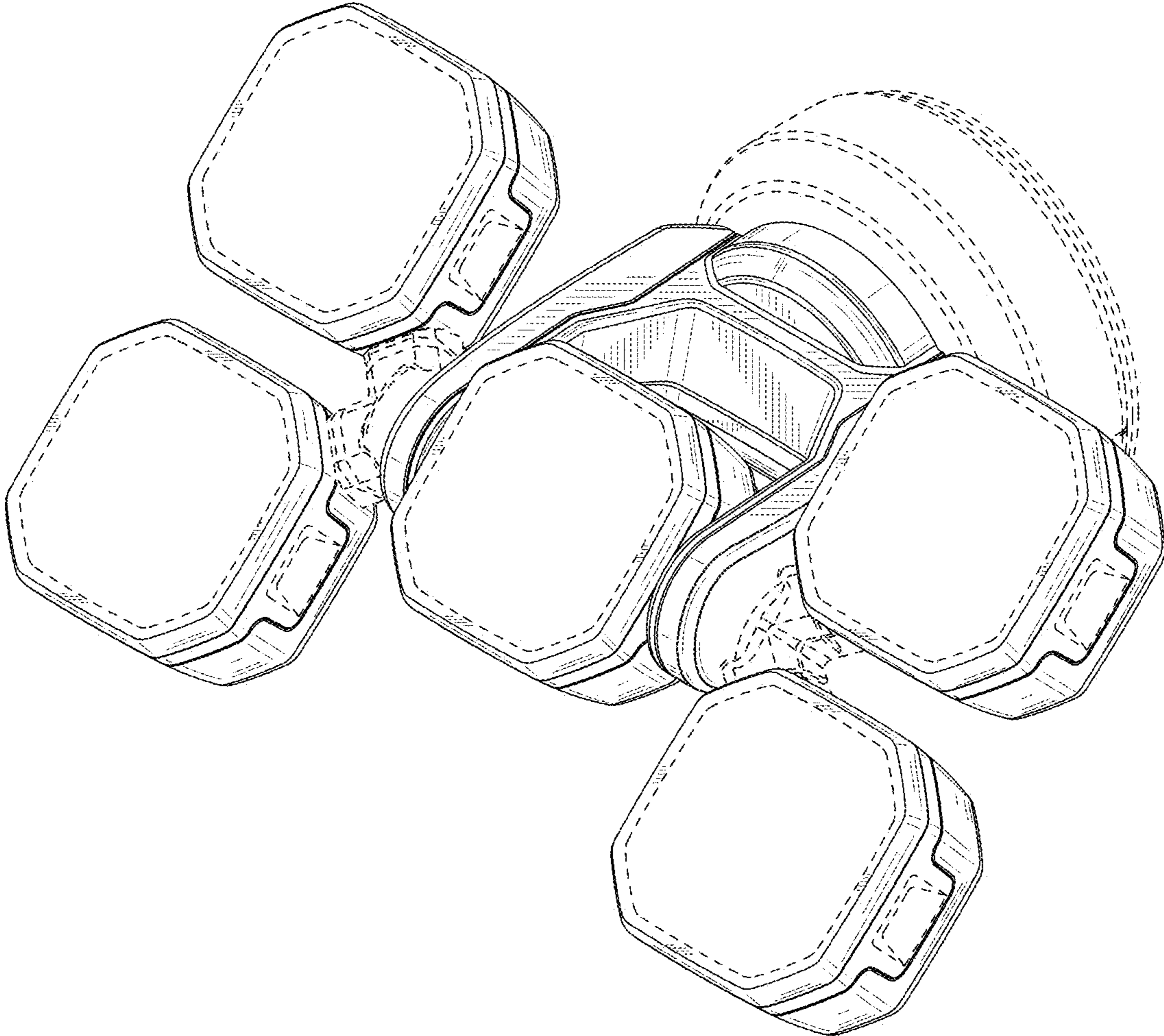


FIG. 1

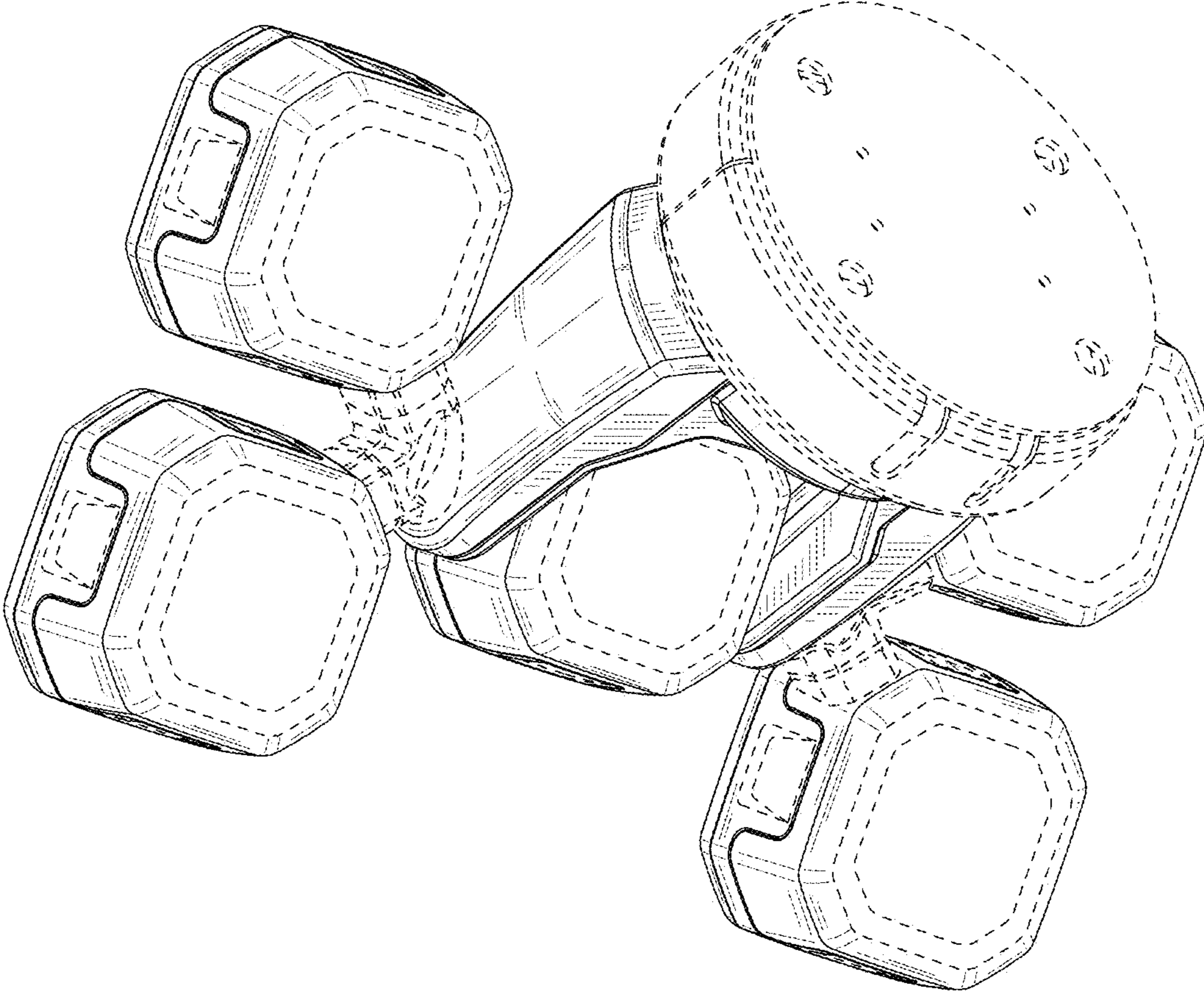


FIG. 2

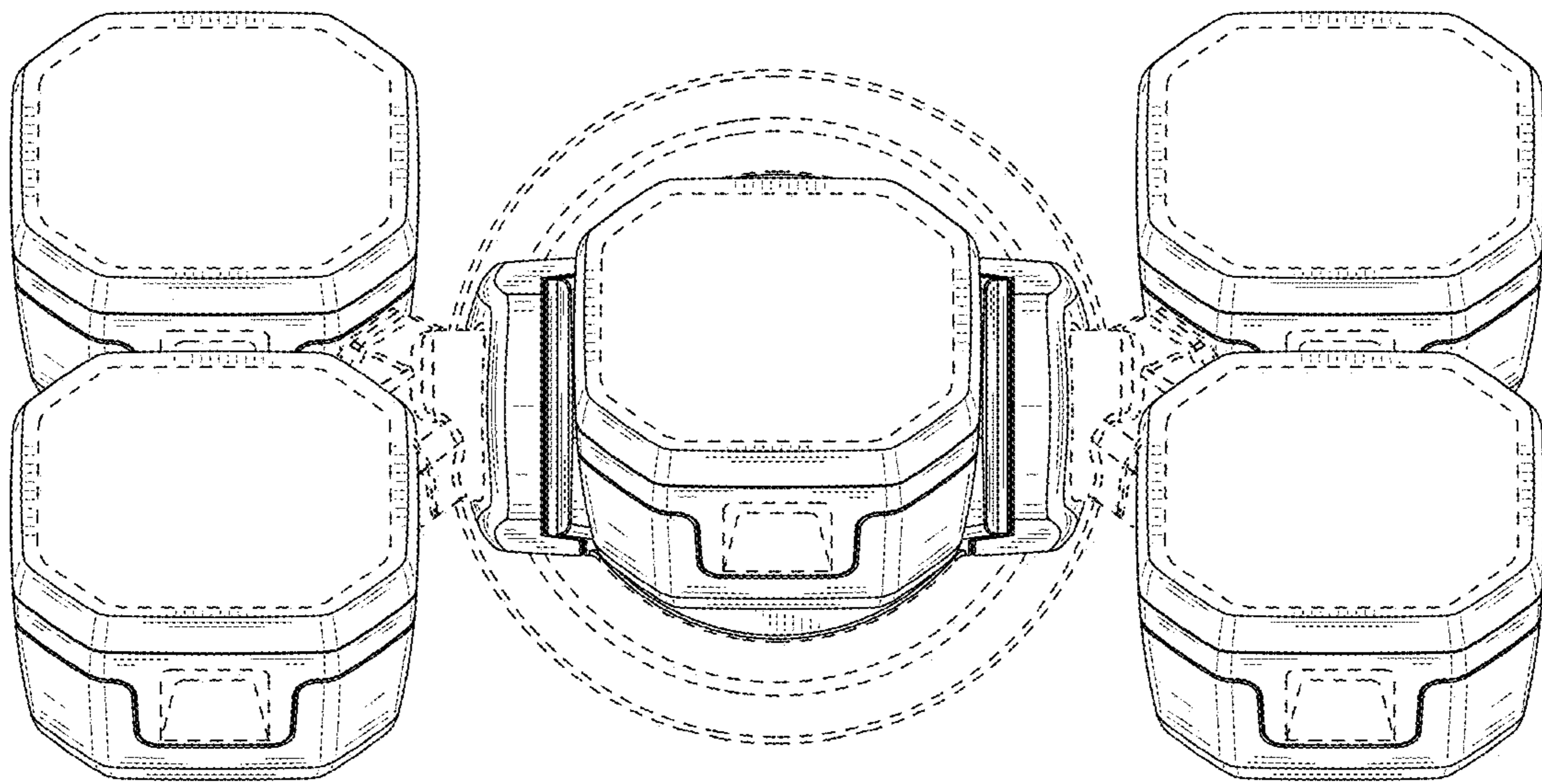


FIG. 3

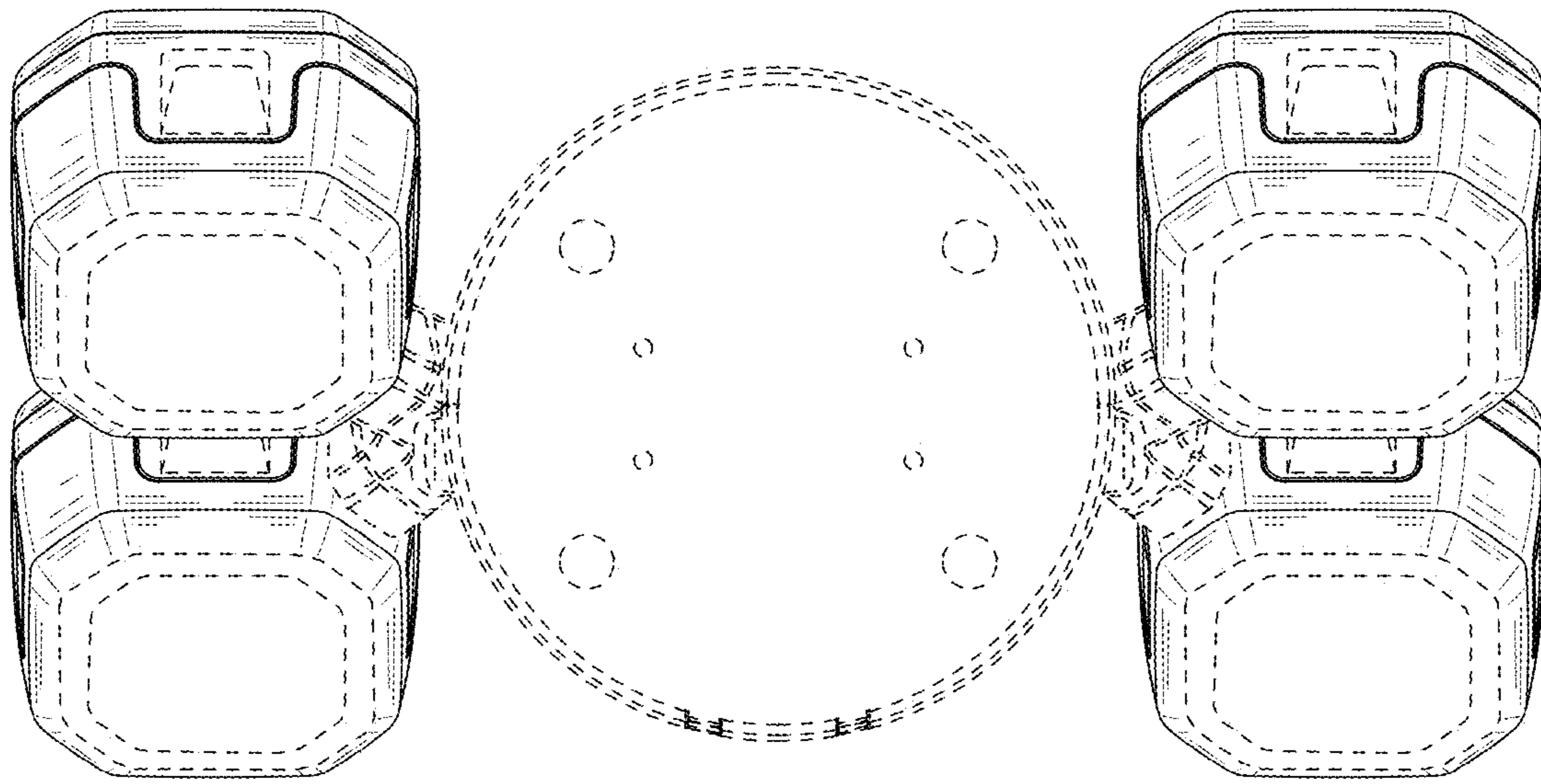


FIG. 4

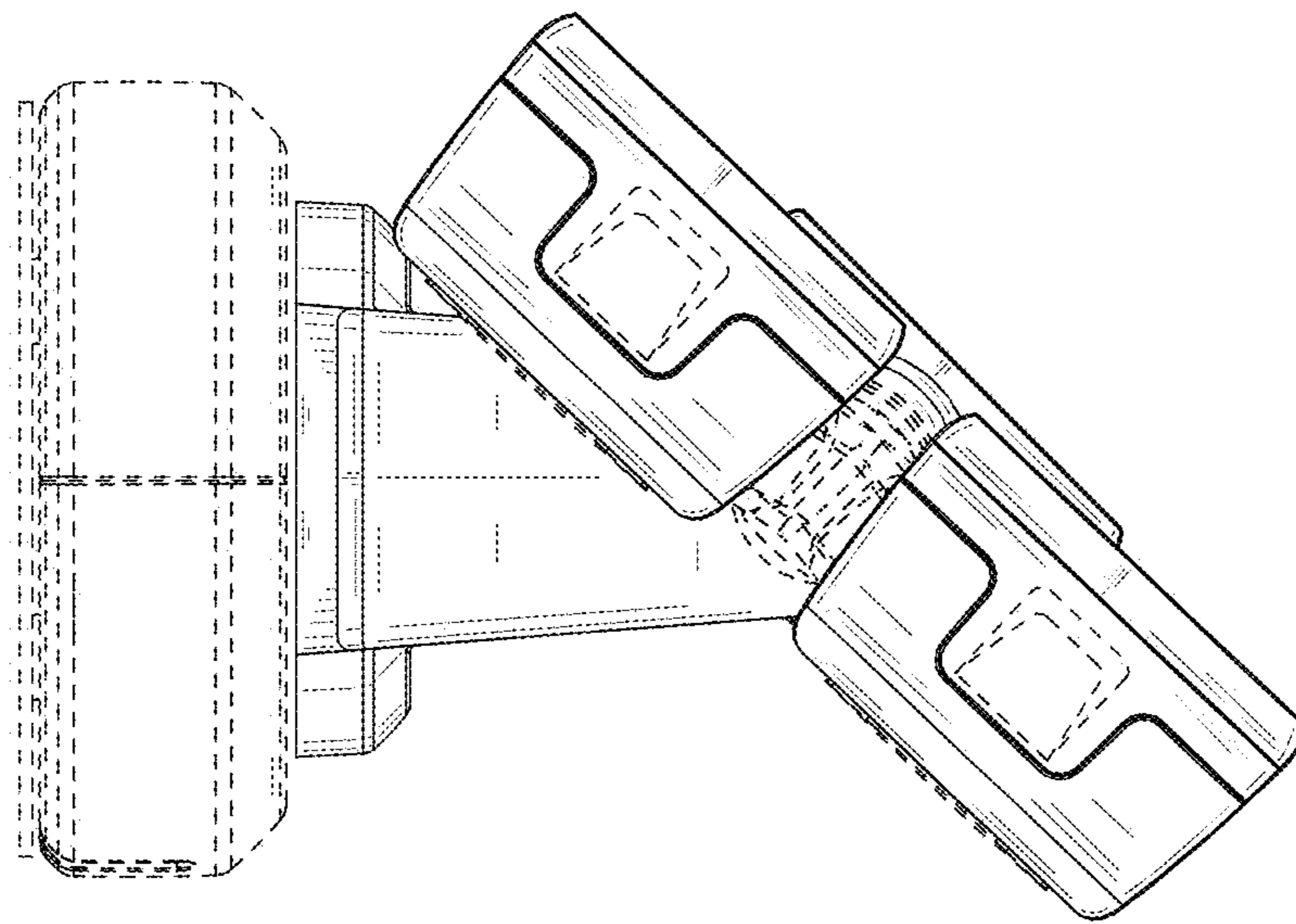


FIG. 5

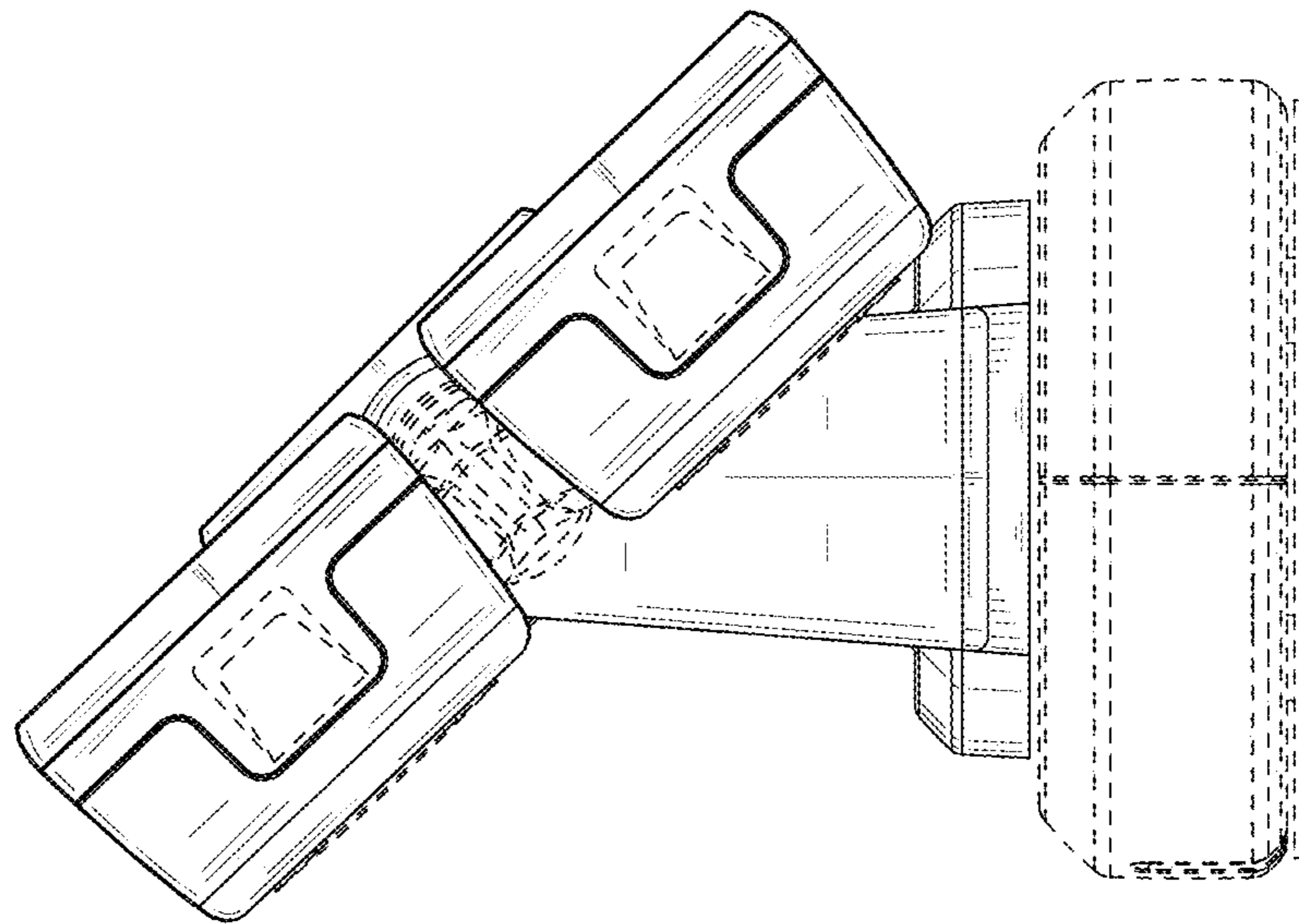


FIG. 6

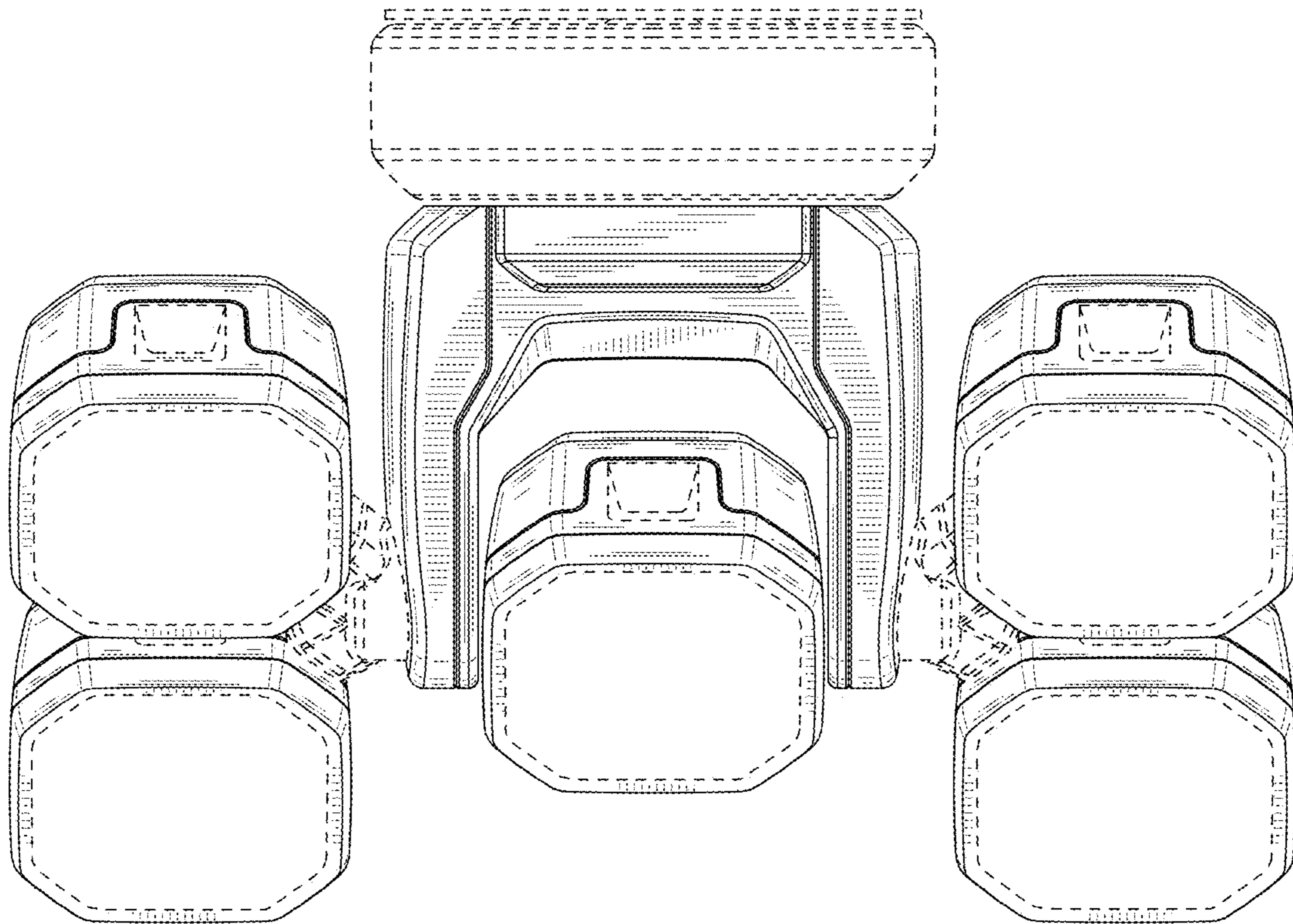


FIG. 7

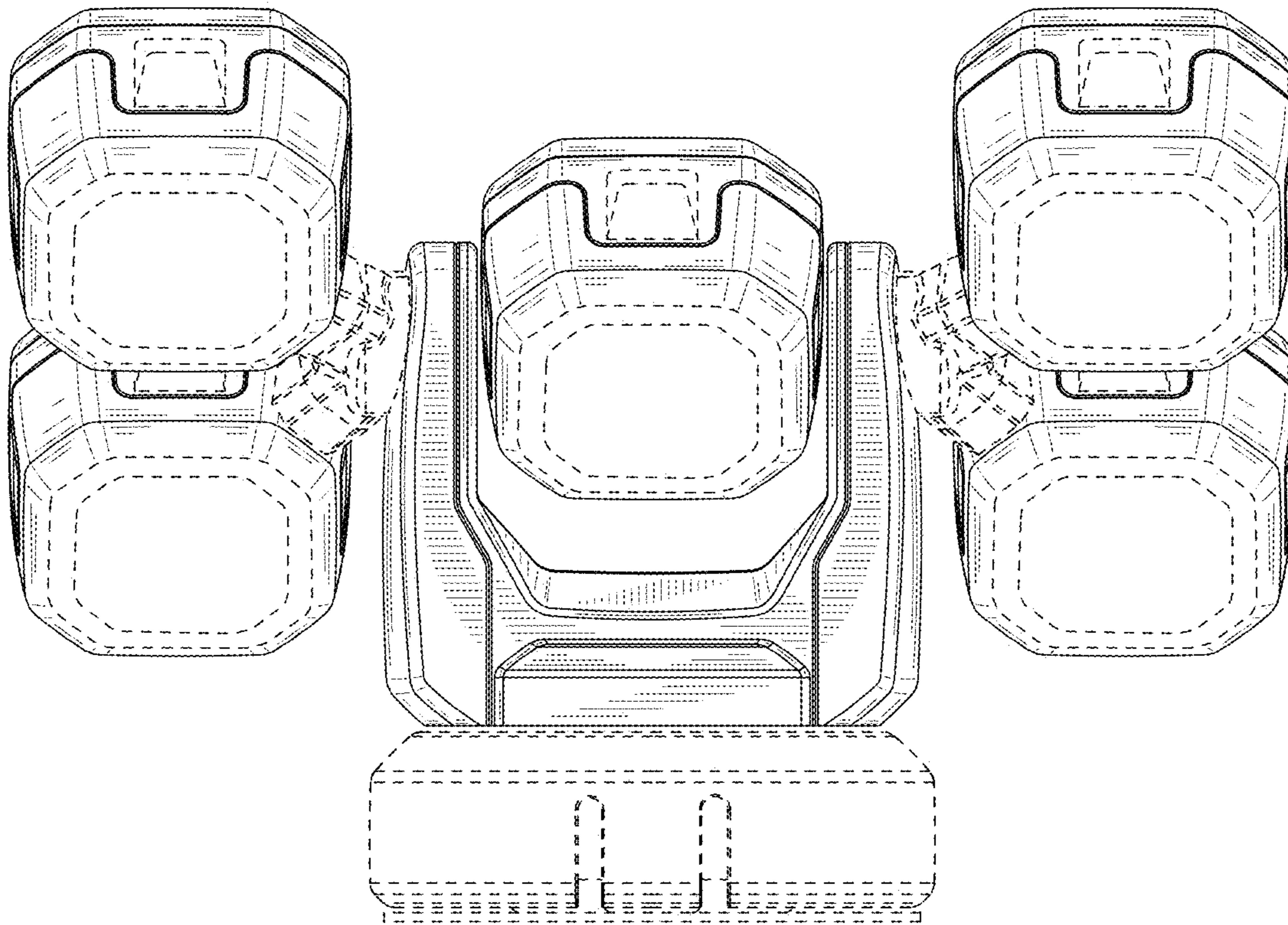


FIG. 8