



US00D925798S

(12) **United States Design Patent** (10) **Patent No.:** **US D925,798 S**
Sheikh et al. (45) **Date of Patent:** **** Jul. 20, 2021**

(54) **PORTION OF A FRONT EDGE OF A COMBINATION STUN GUN AND FLASHLIGHT**

(71) Applicants: **Yasar Sheikh**, Sanford, FL (US);
Shabbir Sheikh, Sanford, FL (US)

(72) Inventors: **Yasar Sheikh**, Sanford, FL (US);
Shabbir Sheikh, Sanford, FL (US)

(**) Term: **14 Years**

(21) Appl. No.: **29/443,679**

(22) Filed: **Jan. 21, 2013**

Related U.S. Application Data

(63) Continuation of application No. 29/410,156, filed on Jan. 4, 2012, now Pat. No. Des. 674,943.

(51) **LOC (13) Cl.** **26-02**

(52) **U.S. Cl.**
USPC **D26/51**; D22/117; D26/113
CPC **F21L 4/00** (2013.01)

(58) **Field of Classification Search**
USPC D26/37, 49, 51, 38, 39, 44, 45; 362/157,
362/158, 202-208; D22/117
CPC F21V 33/00; F21V 14/025; F21V 21/406;
F21Y 2101/02; F21L 17/00; F21L 13/08
See application file for complete search history.

(56) **References Cited**

U.S. PATENT DOCUMENTS

4,968,034 A	11/1990	Hsieh	
D513,334 S	12/2005	Galey	
D541,454 S	4/2007	Galey	
7,278,764 B2	10/2007	Kim	
D565,769 S	4/2008	Shiu	
D578,236 S	10/2008	Dalton	
D585,577 S	1/2009	Bonis	
D586,025 S	2/2009	Bonis	
D595,439 S *	6/2009	Haight	D26/49
D599,928 S *	9/2009	Shiu	D26/49

D601,736 S	10/2009	Swan	
D603,988 S	11/2009	Sharrah	
D605,796 S *	12/2009	Crawford	D26/45
D611,115 S	3/2010	Pennington	
D628,326 S *	11/2010	Ng	D26/45
D629,542 S	12/2010	Robinson	
D629,544 S	12/2010	Deguglimo et al.	

(Continued)

OTHER PUBLICATIONS

Stun Gun Flashlight Quality Made Of Metal, [online] Site visited May 21, 2020, [Available from internet], URL: <https://www.youtube.com/watch?v=pE7NNf8JIXw>>1 page (Year: 2012).*

(Continued)

Primary Examiner — Richard E Chilcot

(74) *Attorney, Agent, or Firm* — Quickpatents, LLC; Kevin Prince

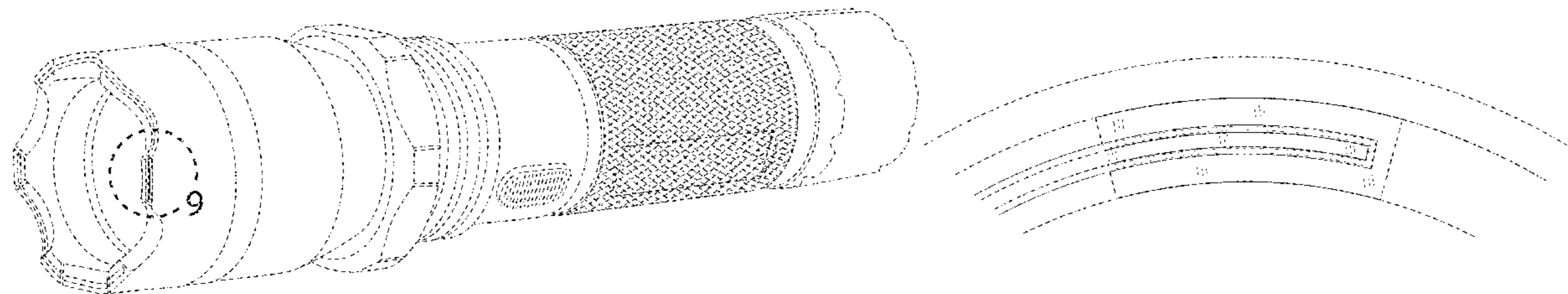
(57) **CLAIM**

We claim the ornamental design for a portion of a front edge of a combination stun gun and flashlight, as shown and described.

DESCRIPTION

FIG. 1 is a front perspective view of a portion of a front edge of a combination stun gun and flashlight, showing my new design;
FIG. 2 is a rear perspective view of FIG. 1;
FIG. 3 is a front elevational view of FIG. 1;
FIG. 4 is a rear elevational view of FIG. 1;
FIG. 5 is a right-side elevational view of FIG. 1;
FIG. 6 is a left-side elevational view of FIG. 1;
FIG. 7 is a bottom plan view of FIG. 1;
FIG. 8 is a top plan view of FIG. 1; and,
FIG. 9 is an enlarged front perspective view of FIG. 1, taken along line 9 of FIG. 1.
The broken line represents portions of the article not claimed and forms no part of the claimed design.

1 Claim, 5 Drawing Sheets



(56)

References Cited

U.S. PATENT DOCUMENTS

D629,546 S 12/2010 Deguglimo et al.
 D629,938 S * 12/2010 Yuen D26/45
 D646,008 S * 9/2011 Couture D26/49
 D646,346 S 10/2011 Rae
 D647,232 S 10/2011 Liu
 D647,654 S 10/2011 Li
 D648,467 S 11/2011 Nguyen et al.
 D649,670 S 11/2011 Robinson
 8,083,368 B2 * 12/2011 Lau F21V 21/145
 362/157
 D657,901 S * 4/2012 Cheung Shing Hei D26/45
 D659,869 S * 5/2012 Prieto D26/49
 D659,870 S * 5/2012 Cooper D26/49
 D666,344 S 8/2012 Lee
 8,303,131 B2 * 11/2012 Xue F21V 23/007
 362/157
 D674,943 S * 1/2013 Sheikh D22/117
 D680,251 S * 4/2013 Stewart D26/49
 D681,246 S * 4/2013 Keeley D26/44
 D683,489 S * 5/2013 Lee D26/39
 D687,582 S * 8/2013 Kawase D26/44
 D742,048 S * 10/2015 Sheikh D22/117
 D747,020 S * 1/2016 Chouprinov D22/117
 D747,521 S * 1/2016 Sheikh D22/117
 D747,522 S * 1/2016 Sheikh D22/117
 D748,309 S * 1/2016 Cheng D22/117
 D761,468 S * 7/2016 Cheng D22/117
 D797,882 S * 9/2017 Tang D22/117
 D823,981 S * 7/2018 Tang D22/117

D826,365 S * 8/2018 Sheikh D22/117
 D838,336 S * 1/2019 Tang D22/117
 D845,525 S * 4/2019 Sheikh D26/38

OTHER PUBLICATIONS

Reference No. 1 Design. The Reference 1 Design is illustrated on the included document entitled "Reference 1 Design." The Reference 1 Design was published at least as early as Jul. 26, 2010 at <http://spynuts.com/stma25mivost.html>. This publication date can be confirmed at http://www.archive.org/web/20100415000000*/http://spynuts.com. The Reference No. 1 Design also was illustrated on a Flyer that was publicly disseminated in Aug. 2010 (see Declaration of Yasar Sheikh included with this IDS as Reference 4).

Reference 2 Design. The Reference 2 Design is illustrated on the included document entitled "Reference 2 Design." The reference No. 2 Design was illustrated on a Flyer that was publicly disseminated in Aug. 2010 (see Declaration of Yasar Sheikh included with this Request as Reference 4).

Reference 3 Design. The Reference 3 Design is illustrated on the included document entitled "Reference 3 Design." The Reference 3 Design was on public display, offered for sale, and sold prior to Oct. 6, 2010 as described in the Declaration of James Bart included with this IDS as Reference 5).

Declaration of Yasar Sheikh. This document with attached flyer proves that Design References 1 and 2 were on public display in Aug. 2010.

Declaration of James Bart. This document with included illustrations of the Reference No. 3 Design proves that the Reference No. 3 Design was on public display, offered for sale, and sold prior to Oct. 6, 2010.

* cited by examiner

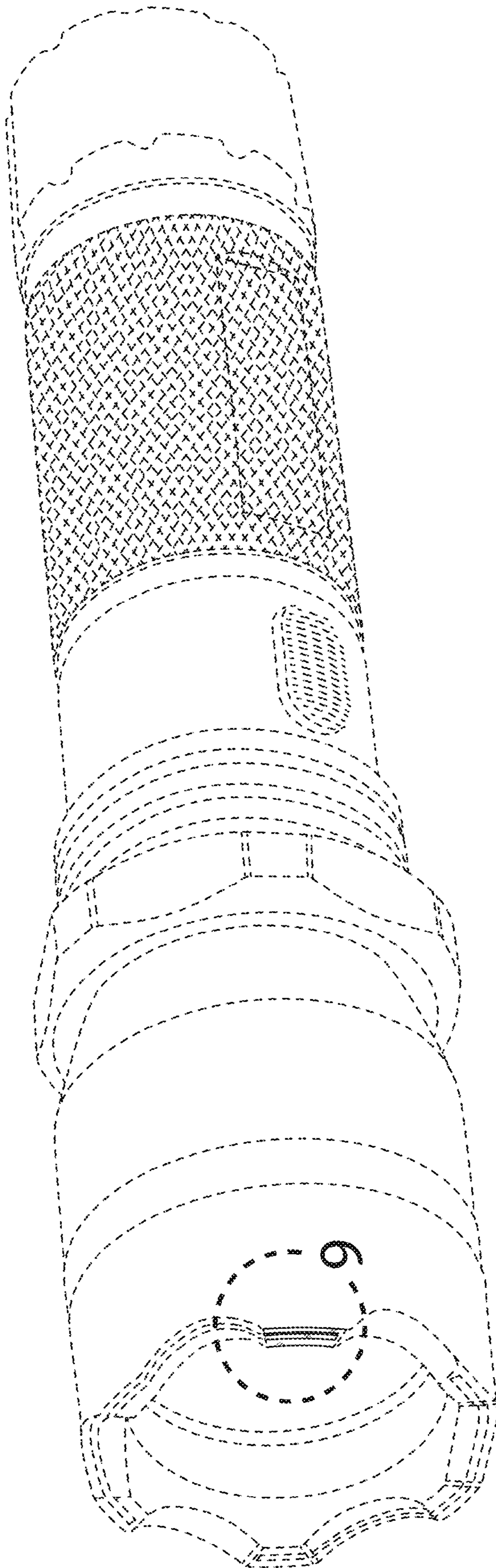


FIG. 1

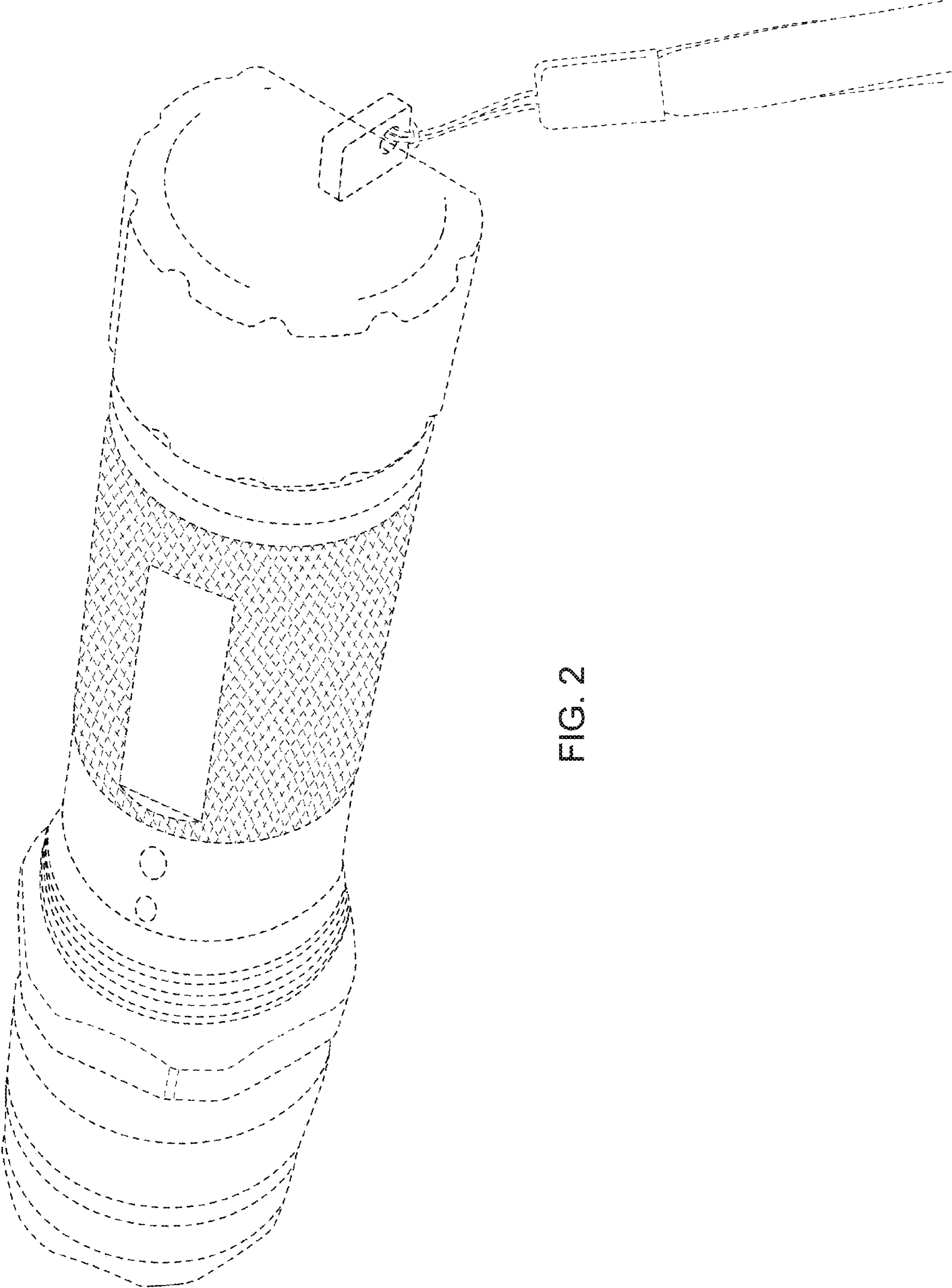


FIG. 2

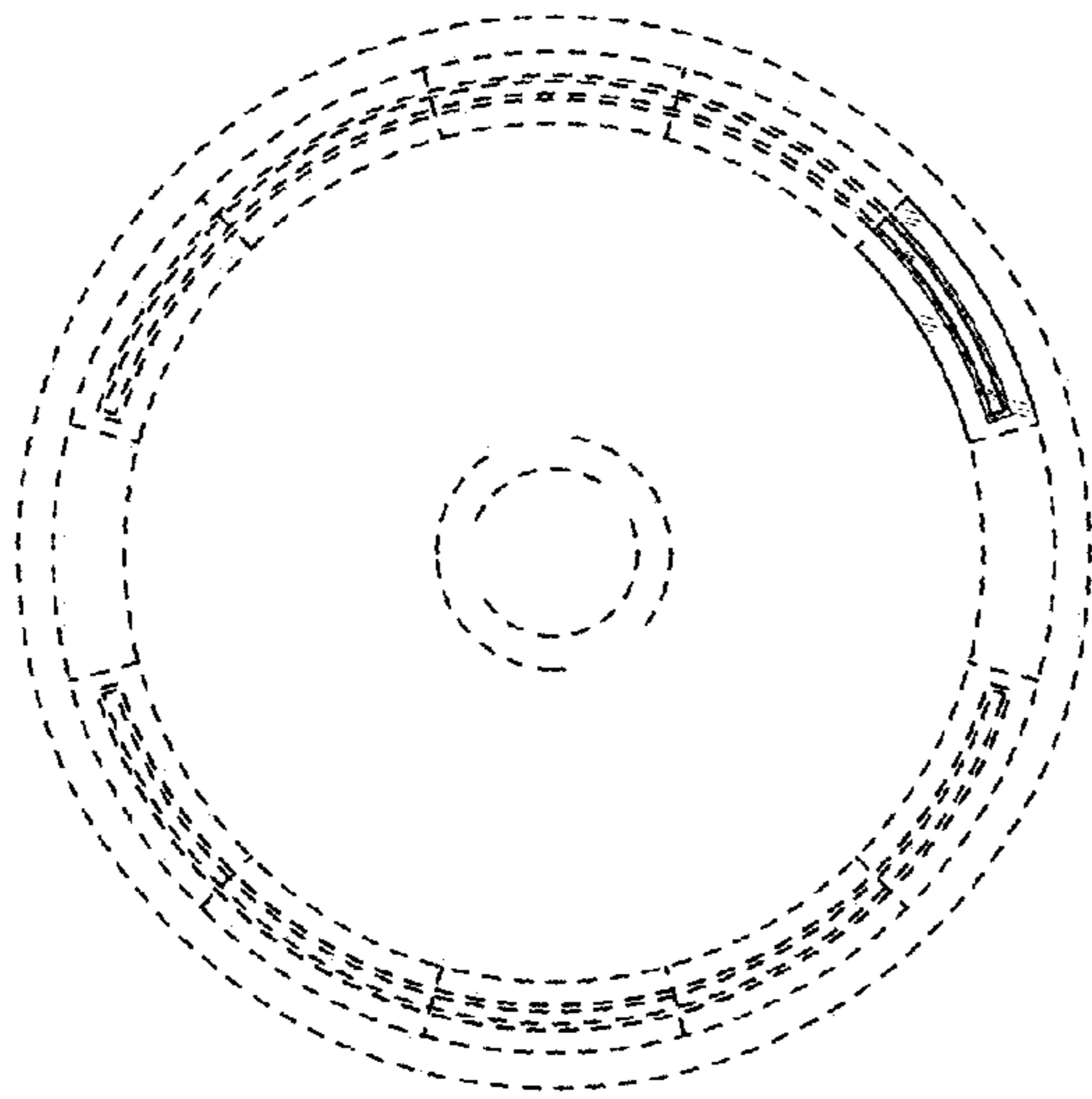


FIG. 3

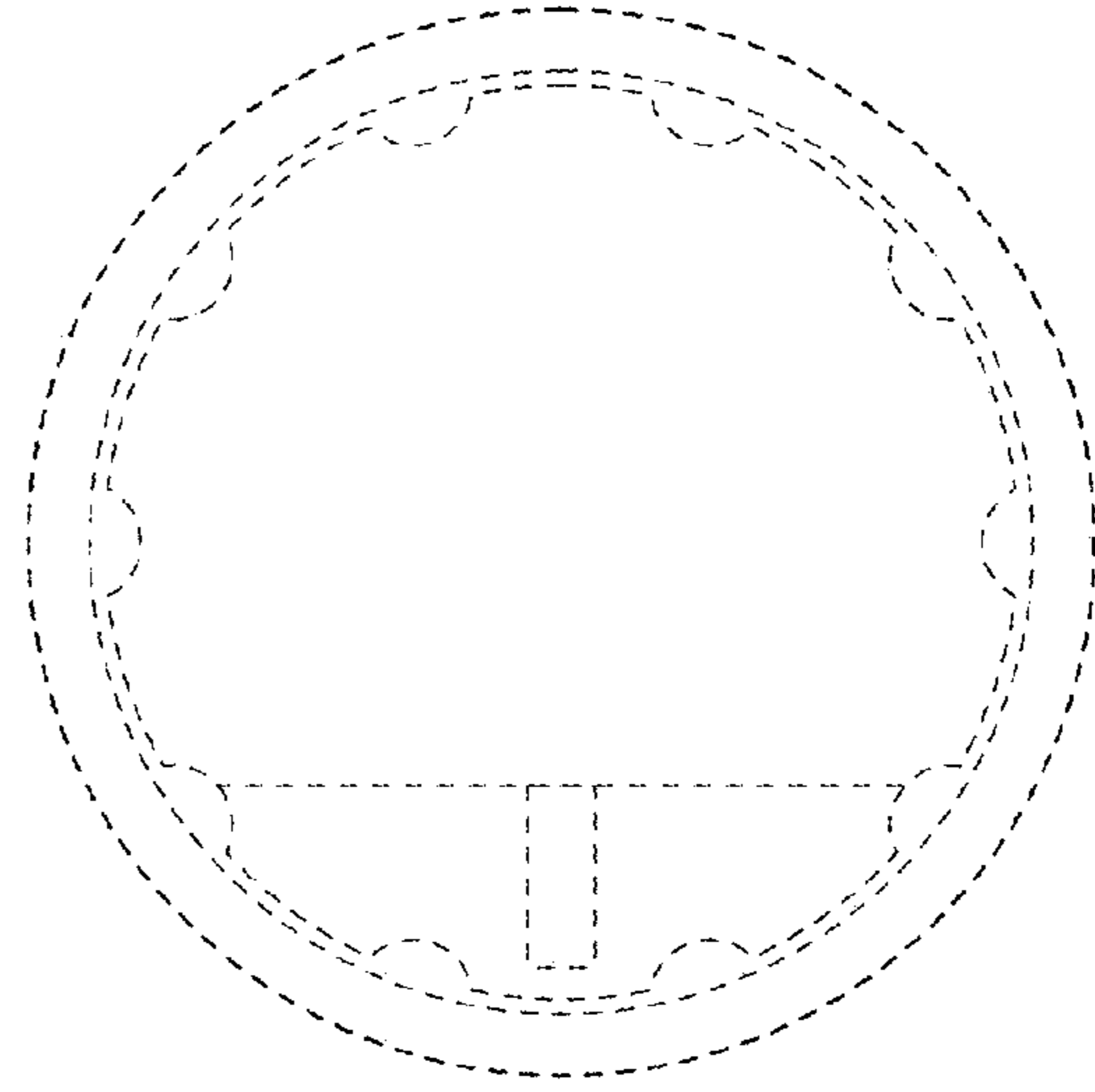


FIG. 4

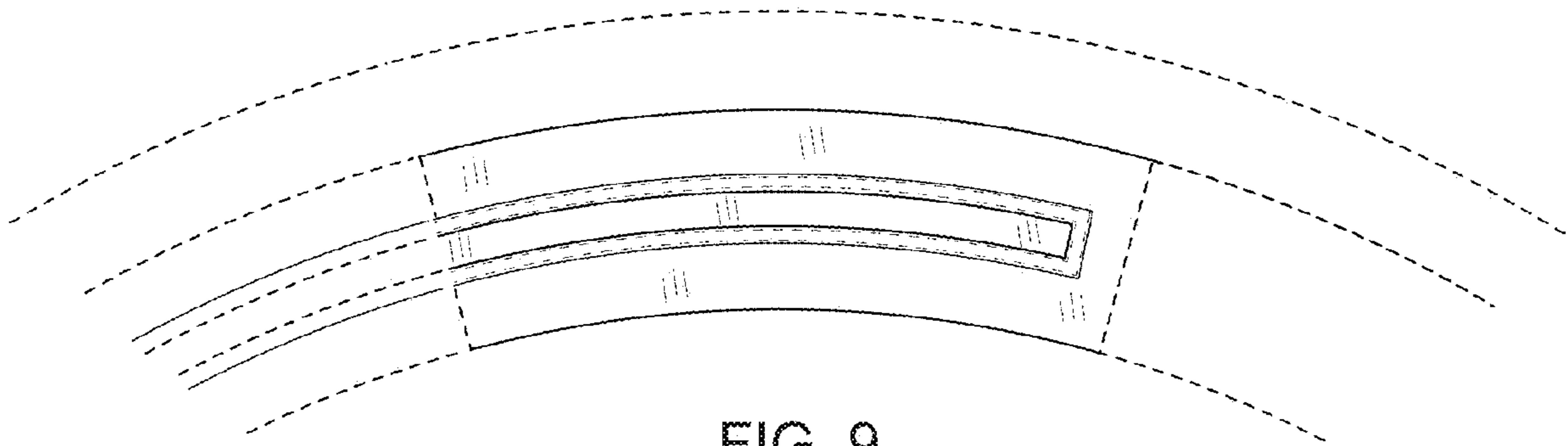


FIG. 9

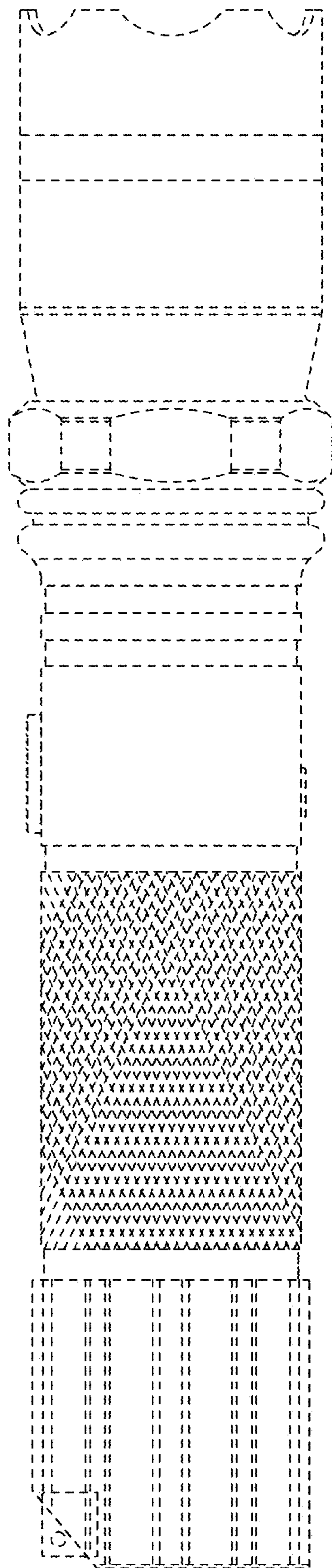


FIG. 5

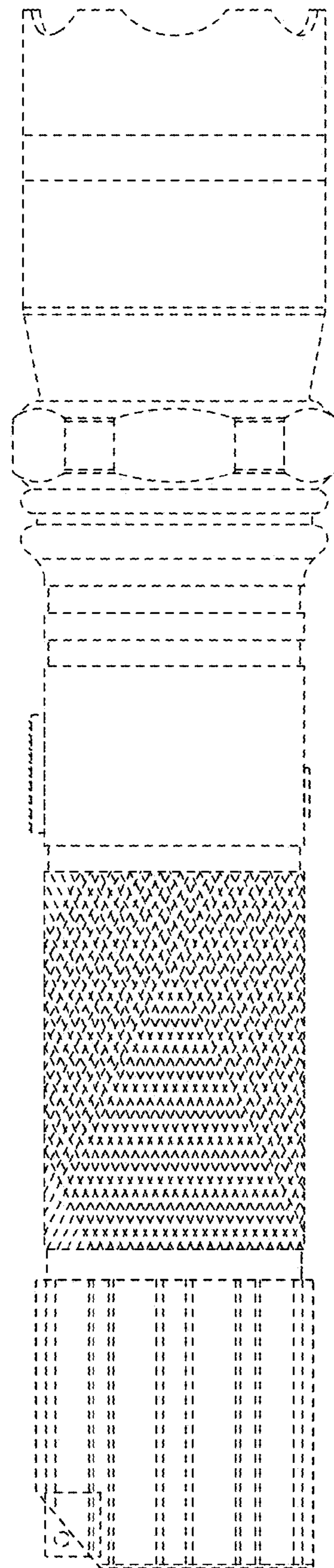


FIG. 6

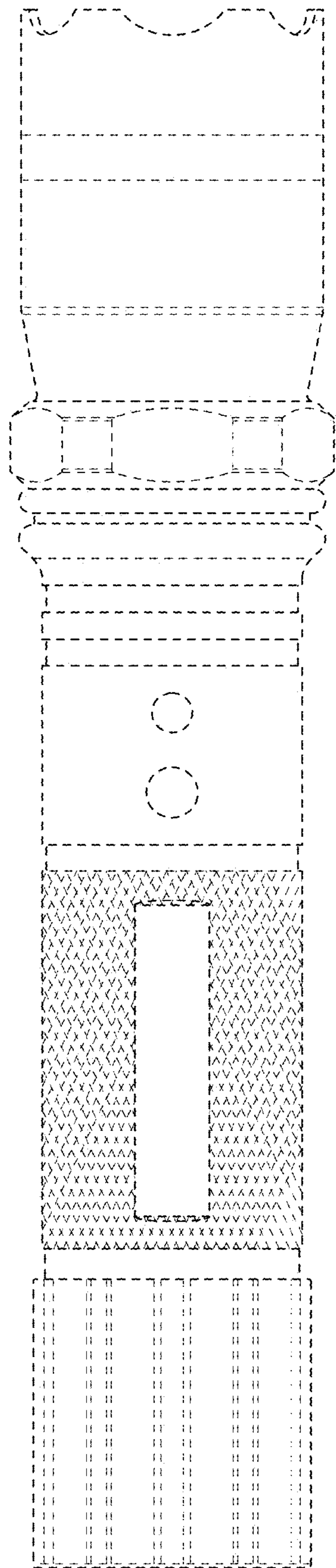


FIG. 7

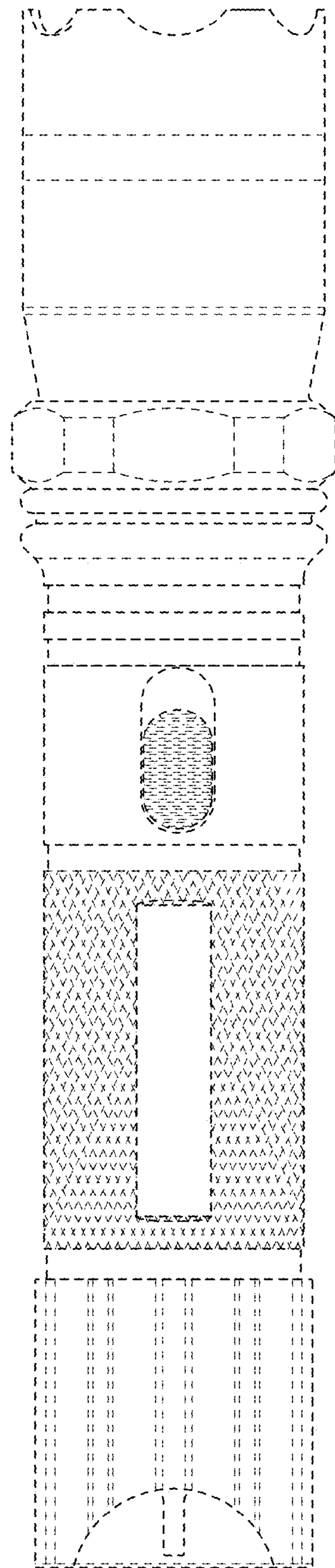


FIG. 8