



US00D925797S

(12) **United States Design Patent** (10) **Patent No.:** **US D925,797 S**
Lee (45) **Date of Patent:** **** Jul. 20, 2021**

(54) **HEADLAMP**
(71) Applicant: **Wen-Sung Lee**, Taichung (TW)
(72) Inventor: **Wen-Sung Lee**, Taichung (TW)
(**) Term: **15 Years**
(21) Appl. No.: **29/718,520**
(22) Filed: **Dec. 26, 2019**
(51) **LOC (13) Cl.** **26-02**
(52) **U.S. Cl.**
USPC **D26/39**
(58) **Field of Classification Search**
USPC D26/37-51
CPC F21L 2003/00; F21L 4/005; F21L 4/025;
F21L 4/027; F21L 4/04; F21L 4/08; F21L
13/00; F21L 13/08; F21L 14/02; F21L
19/00; F21L 2/00; F21L 4/00-4/085;
F21L 15/00-15/14; F21L 2001/00; F21L
2005/00; F21L 25/00; F21L 4/02; F21V
23/0492
See application file for complete search history.

(56) **References Cited**
U.S. PATENT DOCUMENTS
D566,310 S * 4/2008 Alessio D26/39
D603,539 S * 11/2009 Shiu D26/39

D683,489 S * 5/2013 Lee D26/39
D724,248 S * 3/2015 Brands D26/39
D745,729 S * 12/2015 Salmon D26/39
D754,378 S * 4/2016 Feustel D26/39
D803,442 S * 11/2017 Green D26/39
D843,036 S * 3/2019 Li D26/39
D869,034 S * 12/2019 Eichelberger D26/39
D884,235 S * 5/2020 Yau D26/39

* cited by examiner

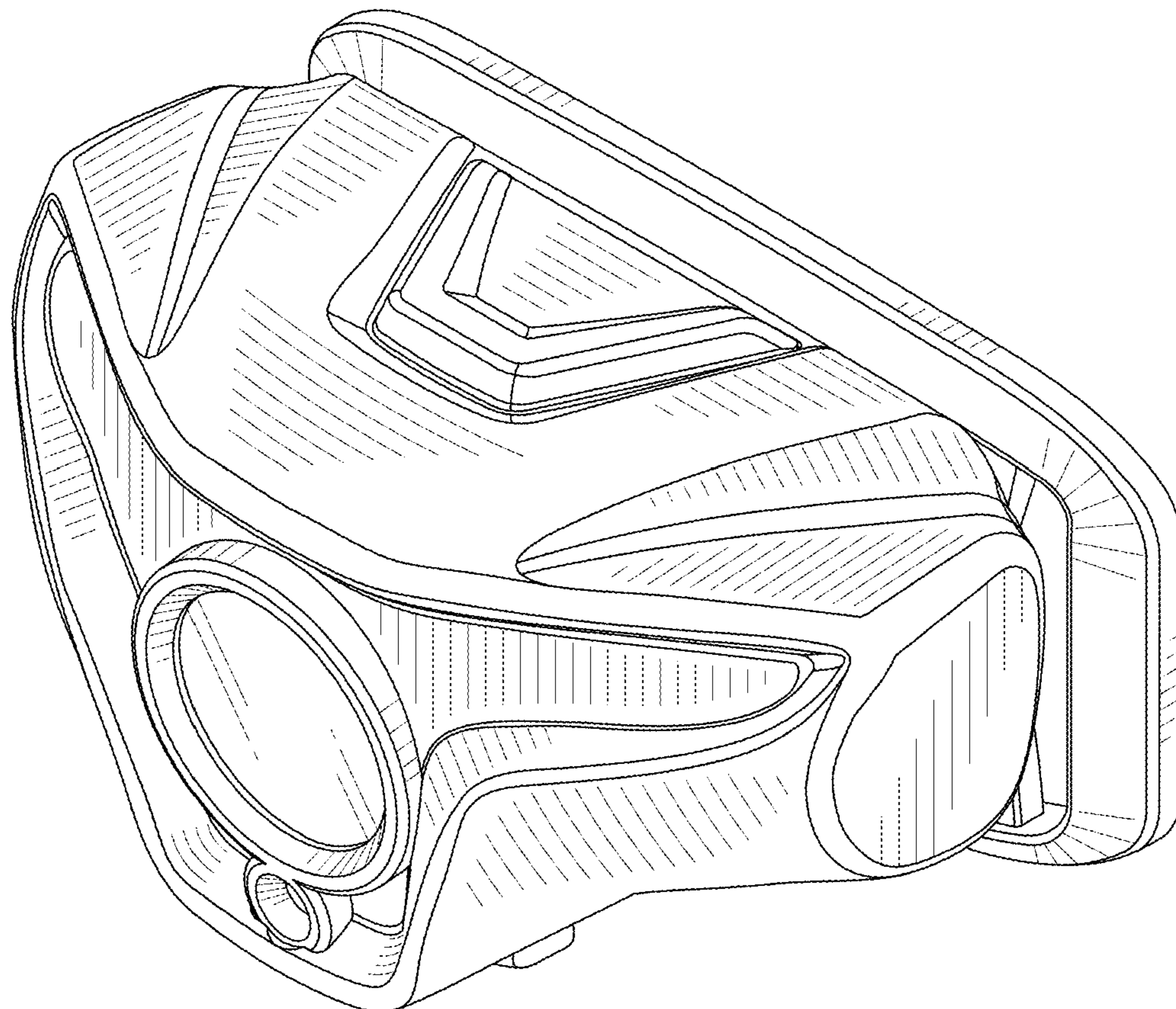
Primary Examiner — Leanne Was-Englehart

(57) **CLAIM**
The ornamental design for a headlamp, as shown and described.

DESCRIPTION

FIG. 1 is a front-right-top perspective view of the headlamp showing my new design;
FIG. 2 is a front elevational view thereof;
FIG. 3 is a rear front elevational view thereof;
FIG. 4 is a left side elevational view thereof;
FIG. 5 is a right side elevational view thereof;
FIG. 6 is a top plan view thereof;
FIG. 7 is a bottom plain view; and,
FIG. 8 is another perspective view thereof.
The broken lines showing in FIGS. 3 and 8, illustrate portions of the headlamp which form no part of the claimed design.

1 Claim, 8 Drawing Sheets



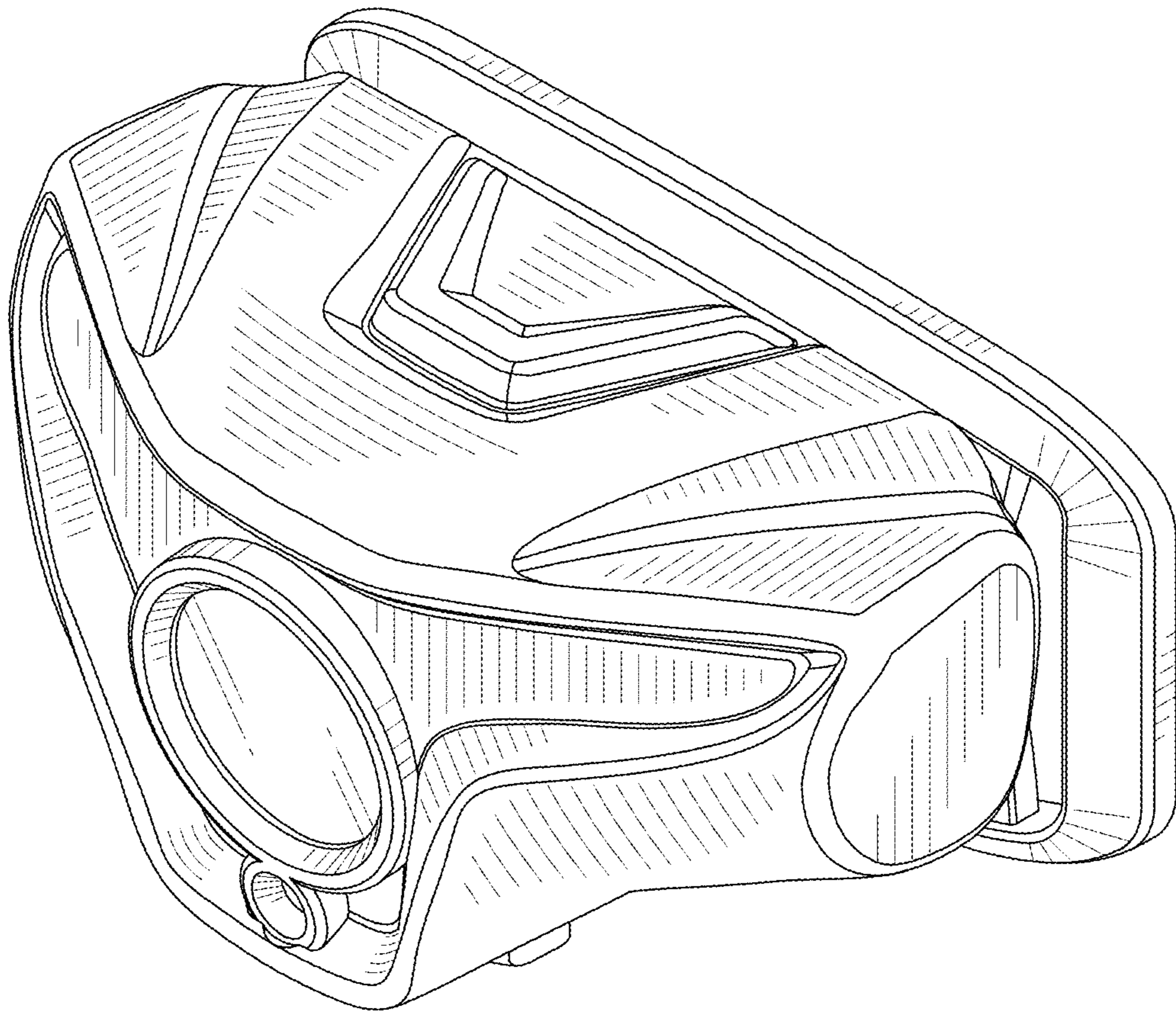


FIG.1

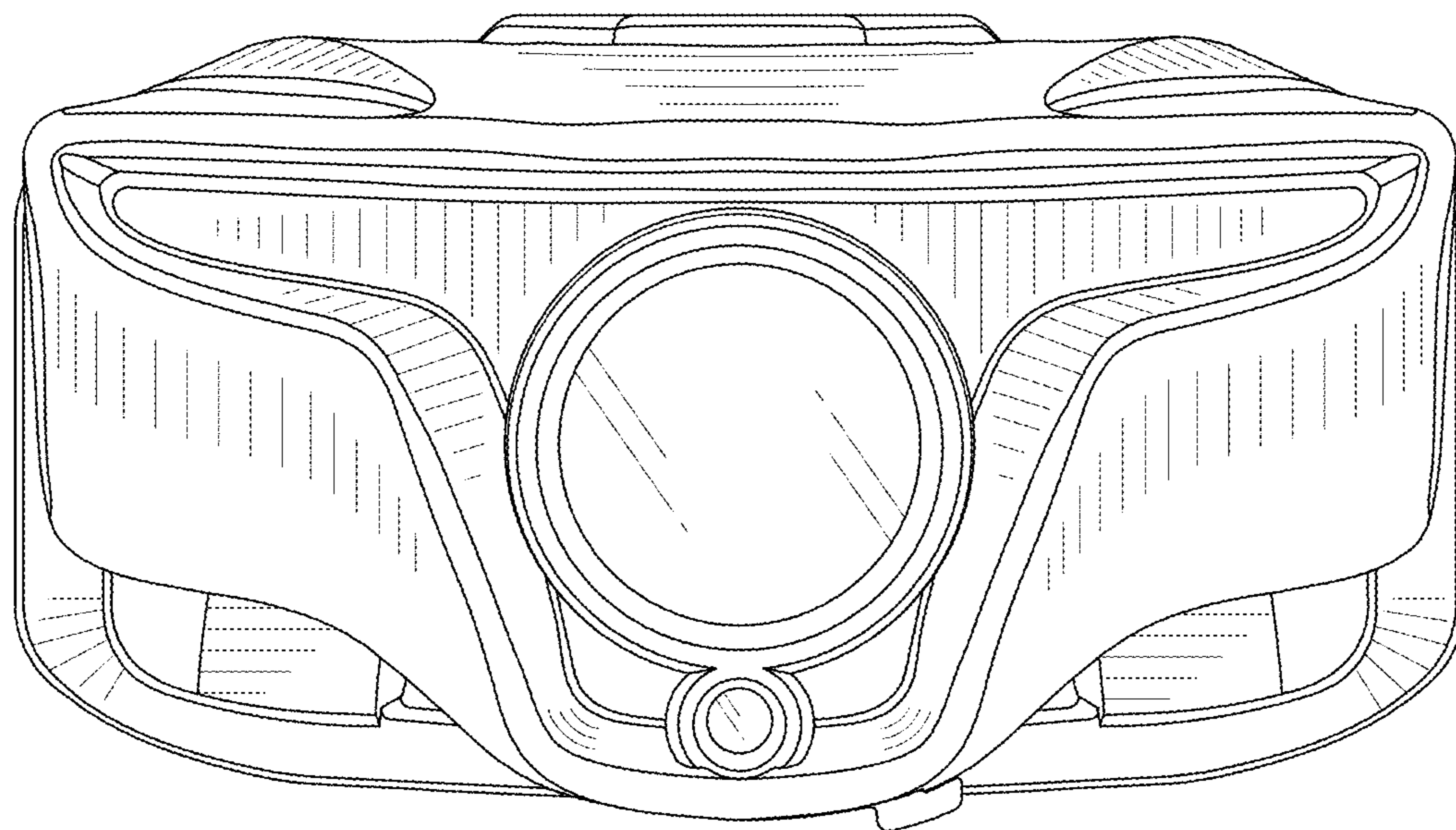


FIG.2

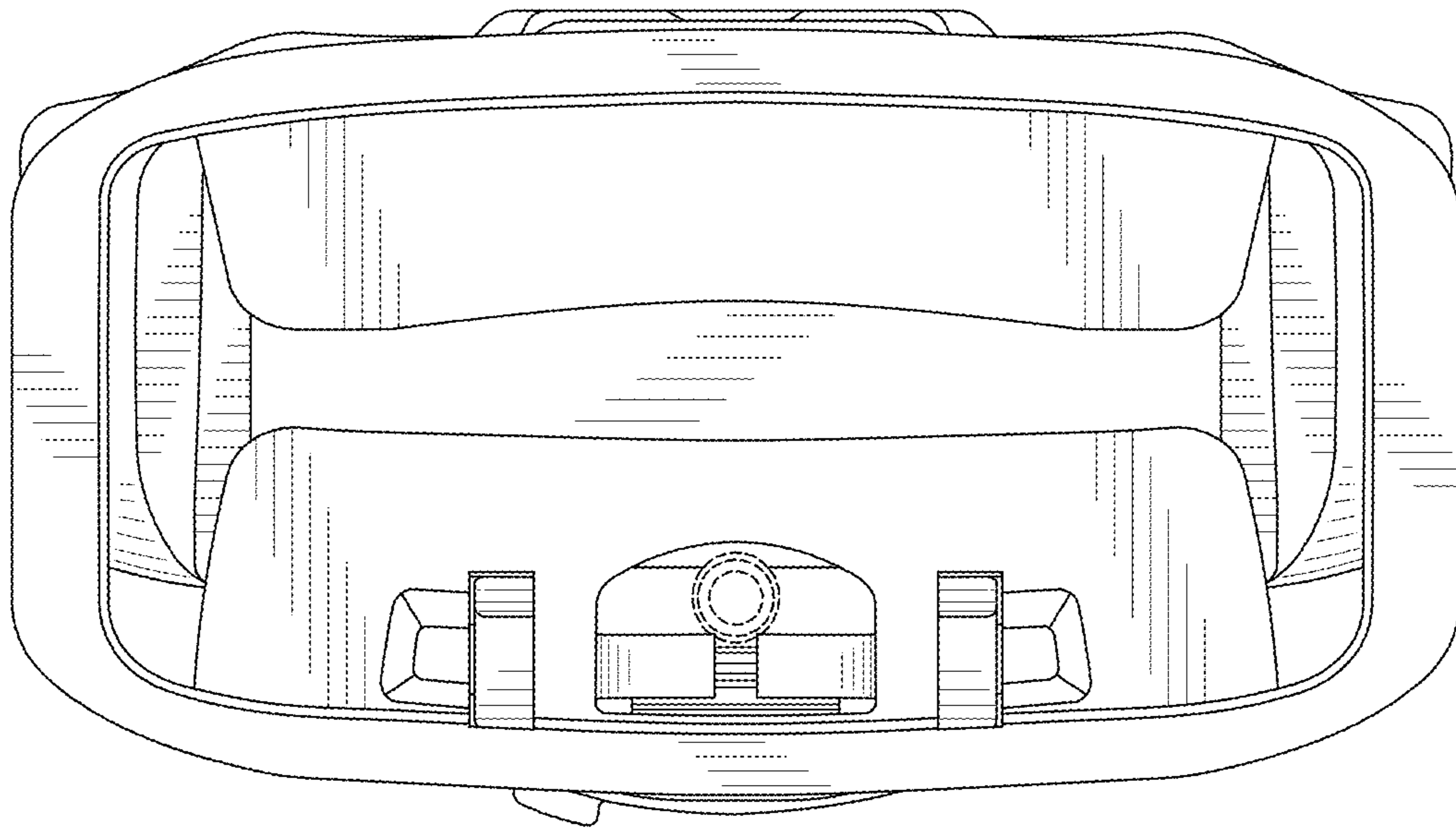


FIG.3

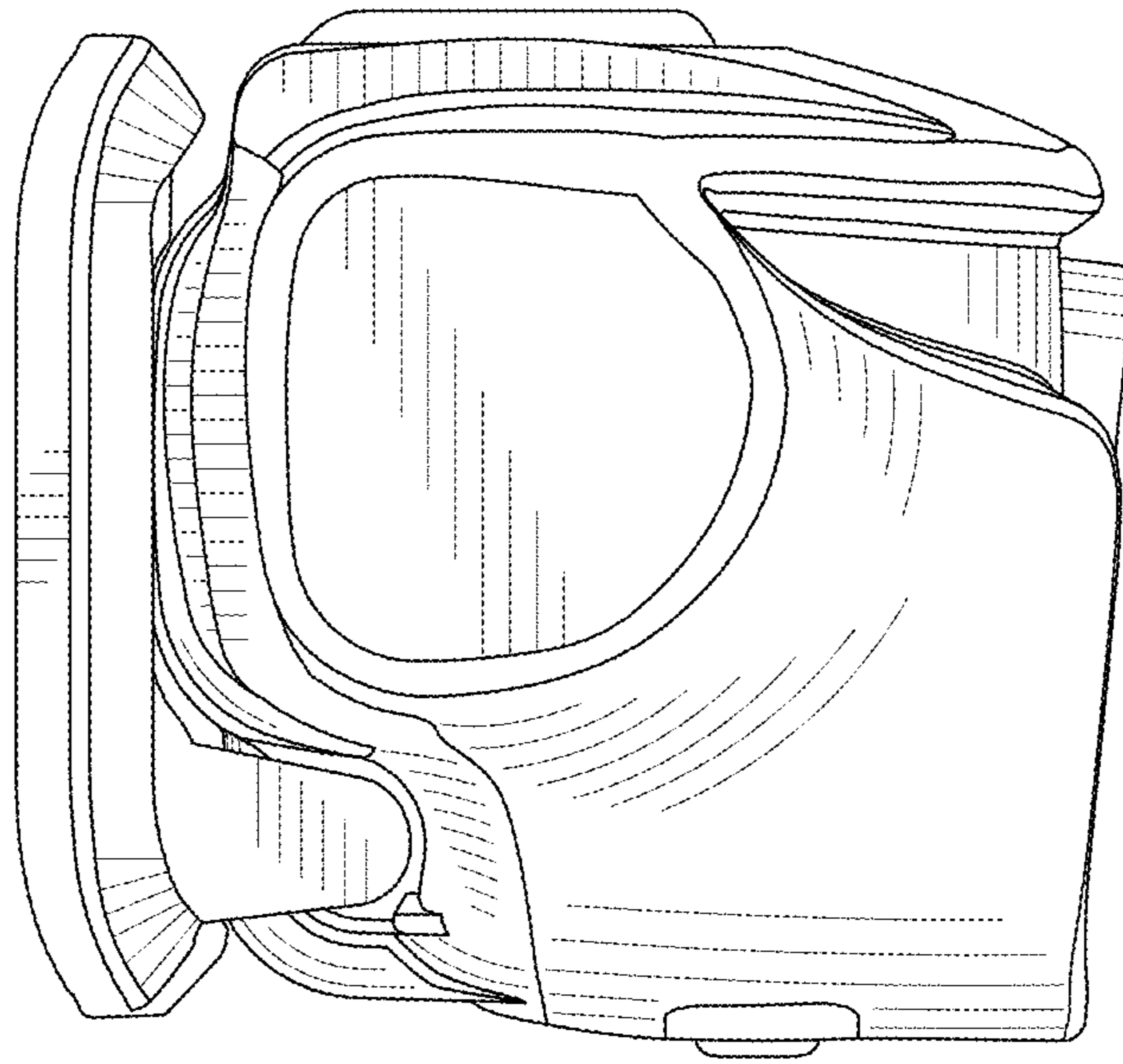


FIG.4

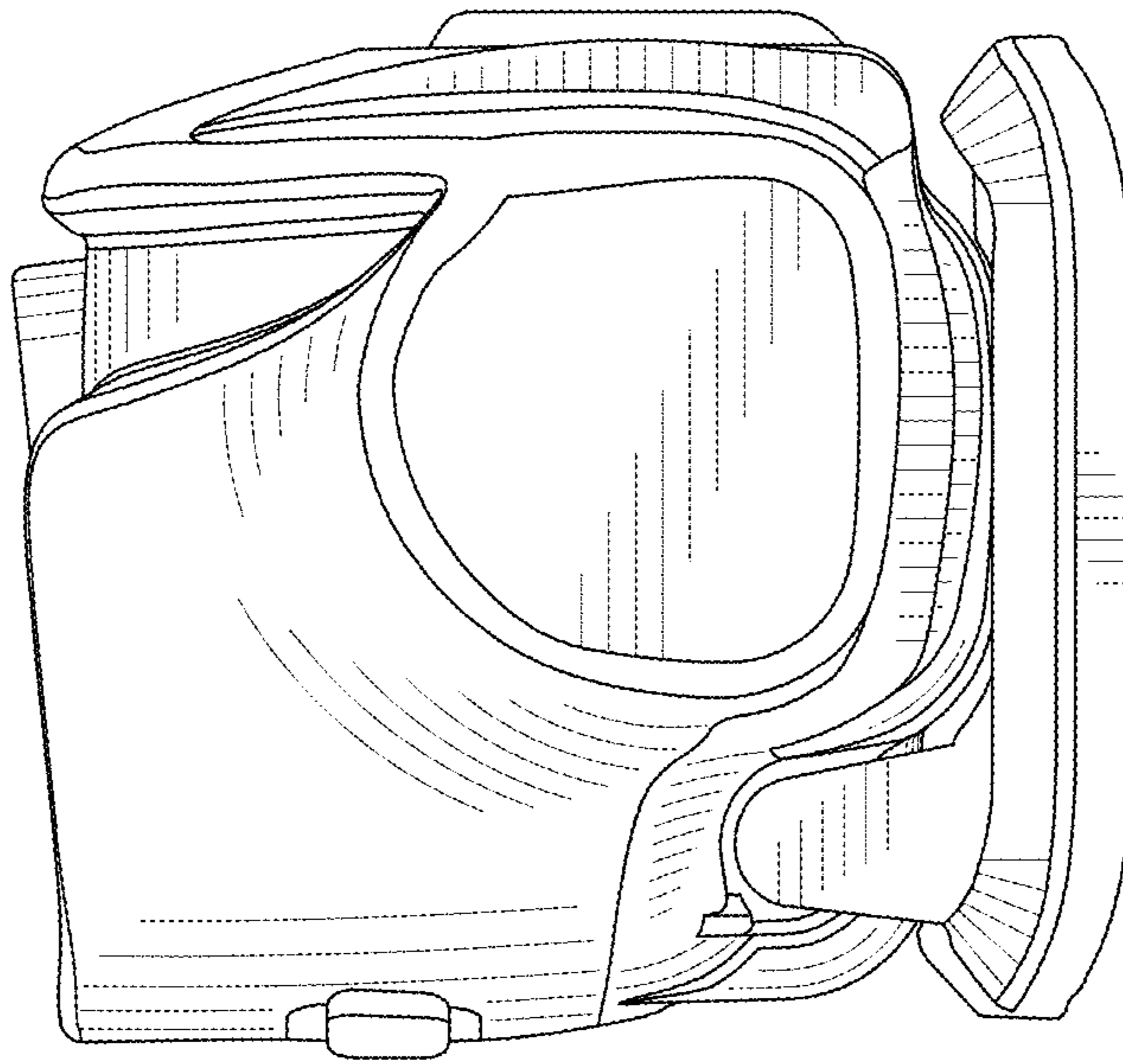


FIG.5

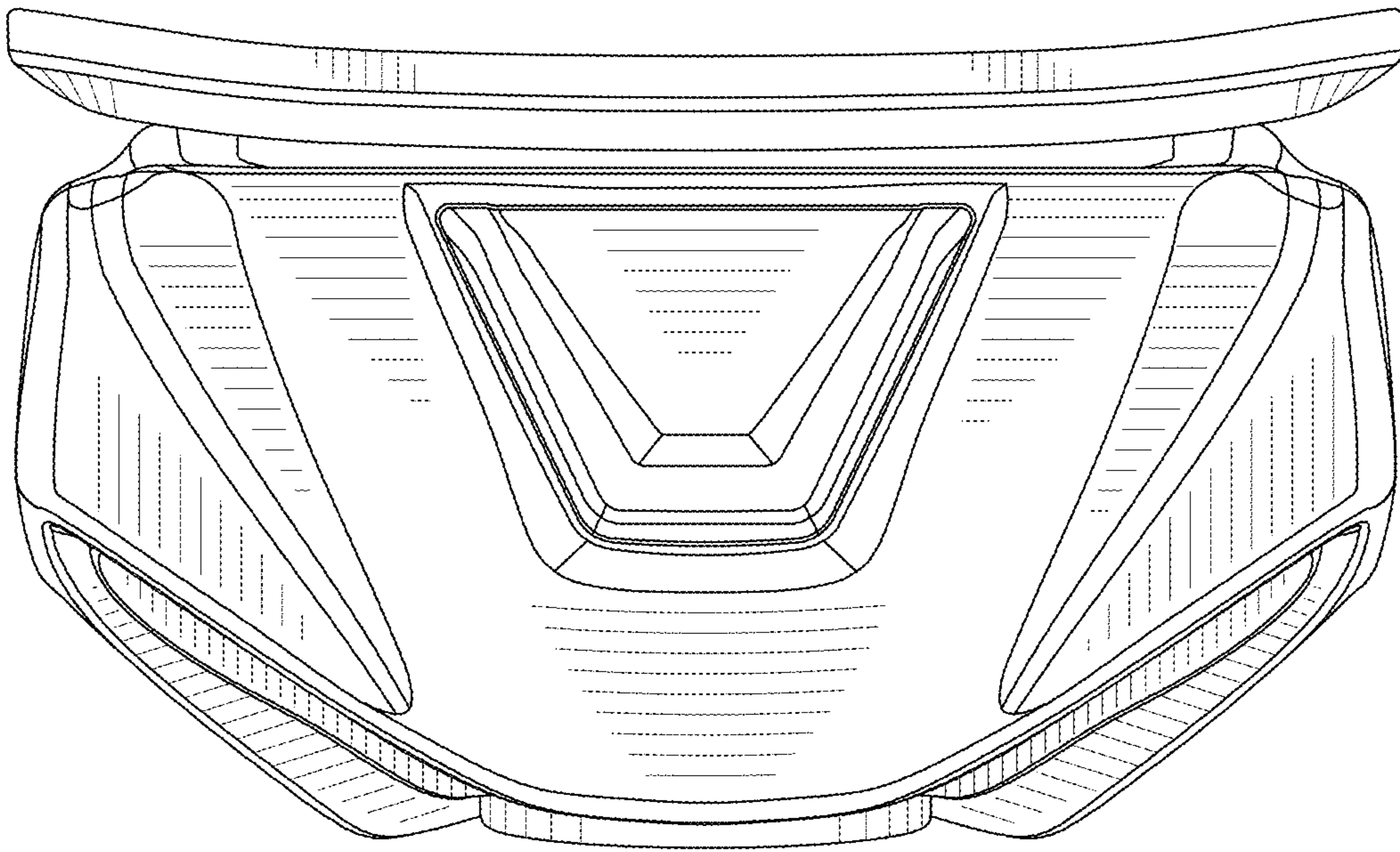


FIG.6

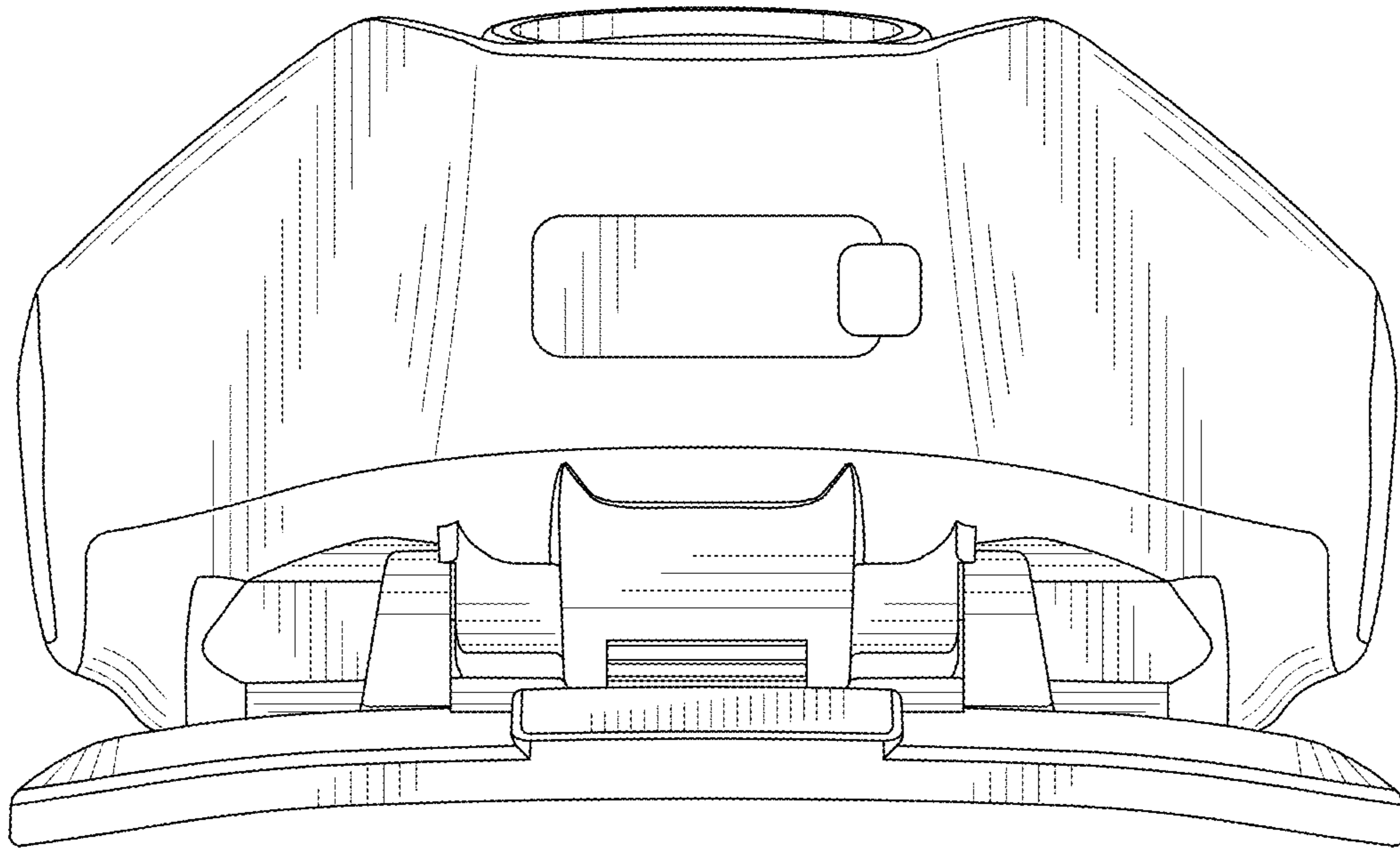


FIG.7

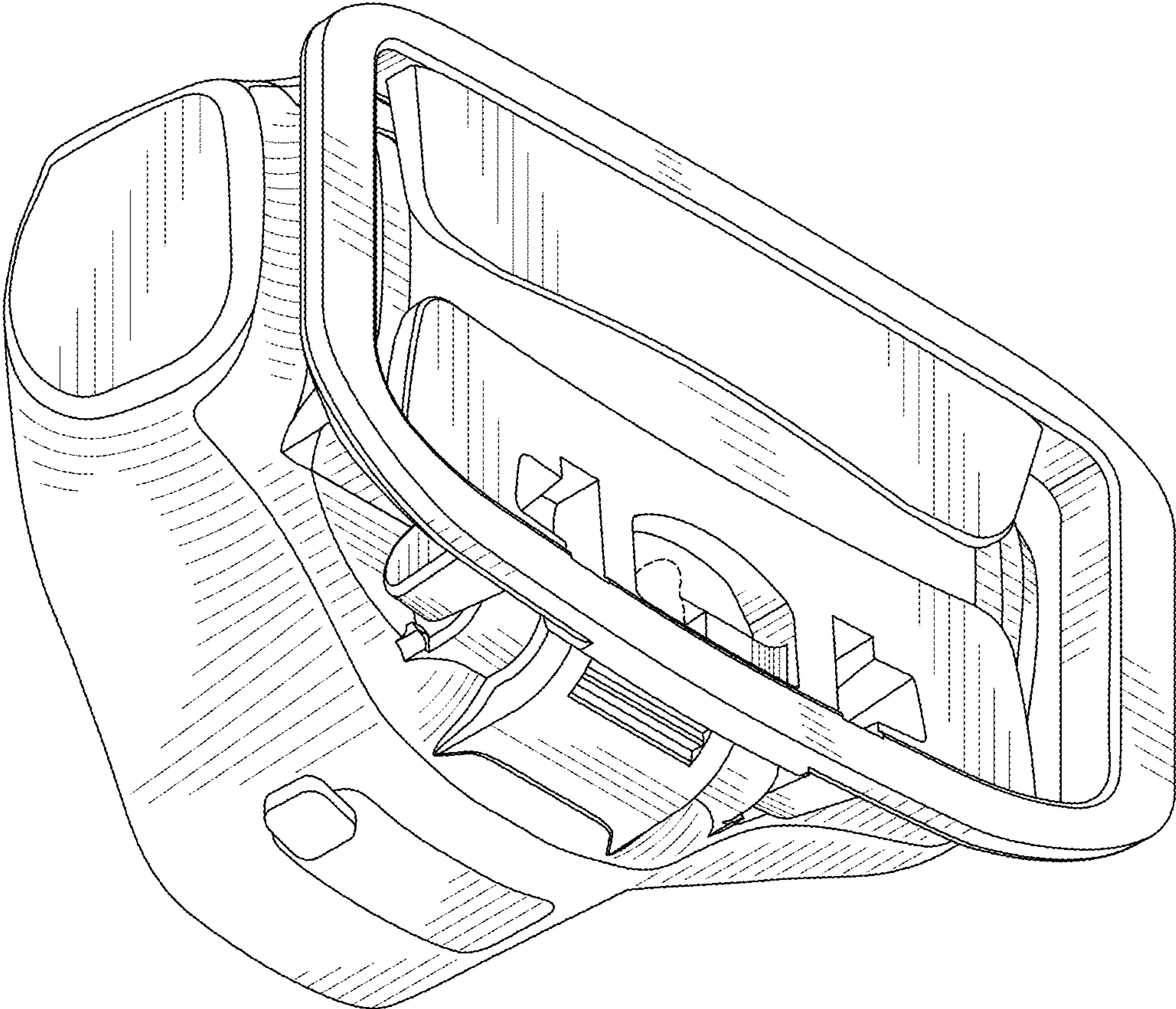


FIG.8