



US00D925796S

(12) **United States Design Patent**  
**Chen**

(10) **Patent No.:** **US D925,796 S**

(45) **Date of Patent:** **\*\* Jul. 20, 2021**

(54) **CAR HEADLIGHT**

(71) Applicant: **ZHEJIANG YUANZHENG AUTO & MOTORCYCLE ACCESSORIES CO., LTD.**, Rui'an (CN)

(72) Inventor: **Yu Chen**, Rui'an (CN)

(\*\*) Term: **15 Years**

(21) Appl. No.: **29/743,300**

(22) Filed: **Jul. 21, 2020**

(51) **LOC (13) Cl.** ..... **26-06**

(52) **U.S. Cl.**  
USPC ..... **D26/28**

(58) **Field of Classification Search**  
USPC ..... D26/28, 29, 30, 31, 32, 33, 34, 35, 36, D26/44  
CPC ..... F21S 48/00; F21S 48/10; F21S 48/115; F21S 48/225; F21S 48/1233; F21S 48/1266; F21S 48/1388; F21S 48/2268; F21V 21/04; F21W 2103/35; F21W 3/40; F21W 2102/17; F21W 2102/30; F21W 2103/00; F21W 2103/55; F21W 2104/00; F21W 2107/17; F21W 2107/13  
See application file for complete search history.

(56) **References Cited**  
U.S. PATENT DOCUMENTS

D593,233 S 5/2009 Bai et al.  
D597,689 S 8/2009 Sun et al.

D849,285 S *	5/2019	Lin	.....	D26/28
D855,849 S *	8/2019	Lin	.....	D26/28
D863,627 S *	10/2019	Lin	.....	D26/28
D863,628 S *	10/2019	Lin	.....	D26/28
D874,040 S *	1/2020	He	.....	D26/28
D878,642 S	3/2020	Ren	.....	
D883,535 S *	5/2020	He	.....	D26/28
D883,536 S *	5/2020	Lin	.....	D26/28
D890,386 S *	7/2020	Wu	.....	D26/28
D890,388 S *	7/2020	Wu	.....	D26/28
D892,368 S *	8/2020	Lin	.....	D26/28
D903,158 S *	11/2020	Platto	.....	D26/28
D907,264 S *	1/2021	Lin	.....	D26/28
D909,634 S *	2/2021	He	.....	D26/28

\* cited by examiner

*Primary Examiner* — Angela J Lee

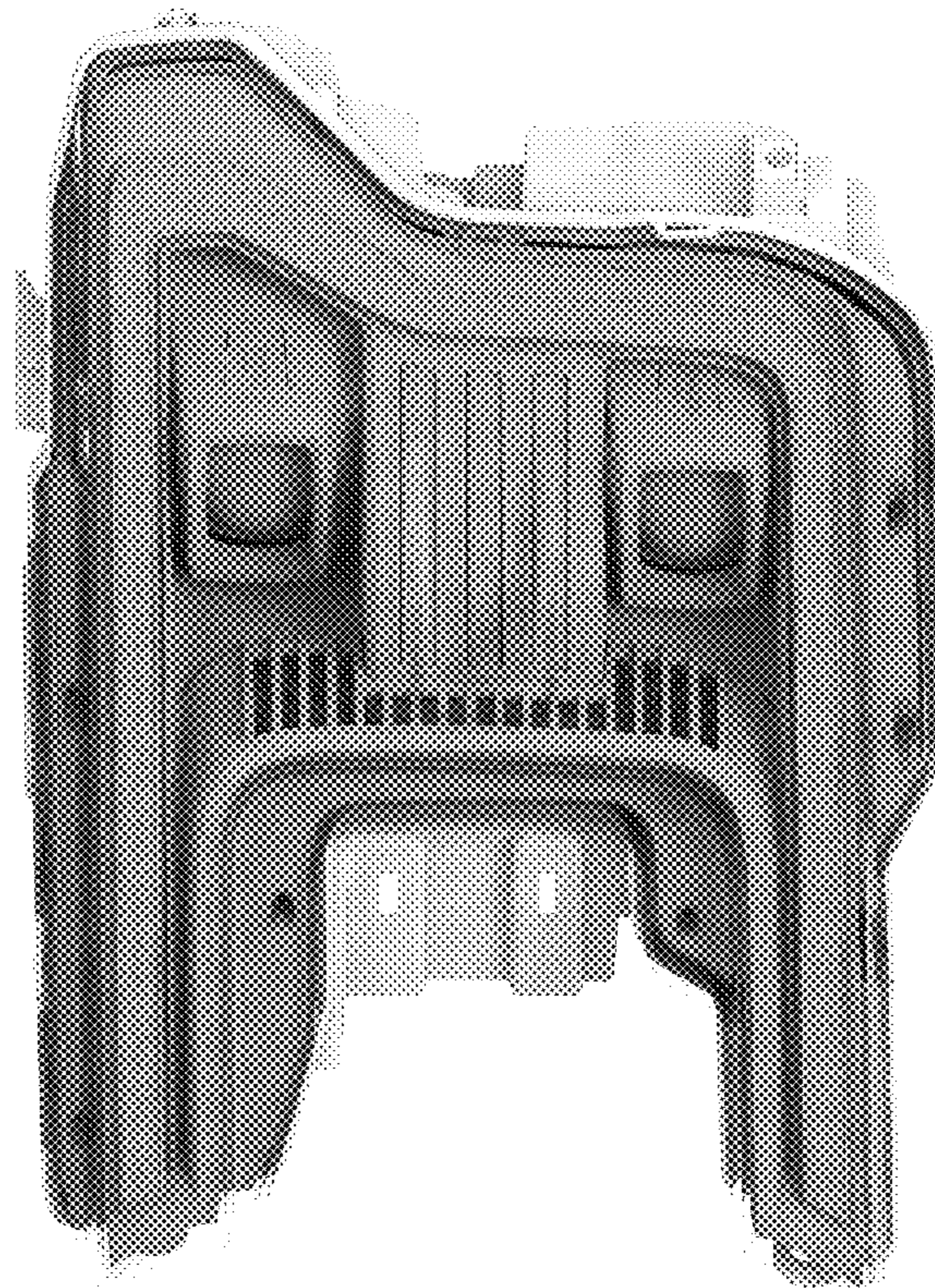
(57) **CLAIM**

The ornamental design for a car headlight, as shown and described.

**DESCRIPTION**

FIG. 1 is a first perspective view of a car headlight showing my new design;  
FIG. 2 is a second perspective view of the thereof;  
FIG. 3 is a front view of the thereof;  
FIG. 4 is a back view of the thereof;  
FIG. 5 is a left side view of the thereof;  
FIG. 6 is a right side view of the thereof;  
FIG. 7 is a top view of the thereof; and,  
FIG. 8 is a bottom view of the thereof.

**1 Claim, 8 Drawing Sheets**



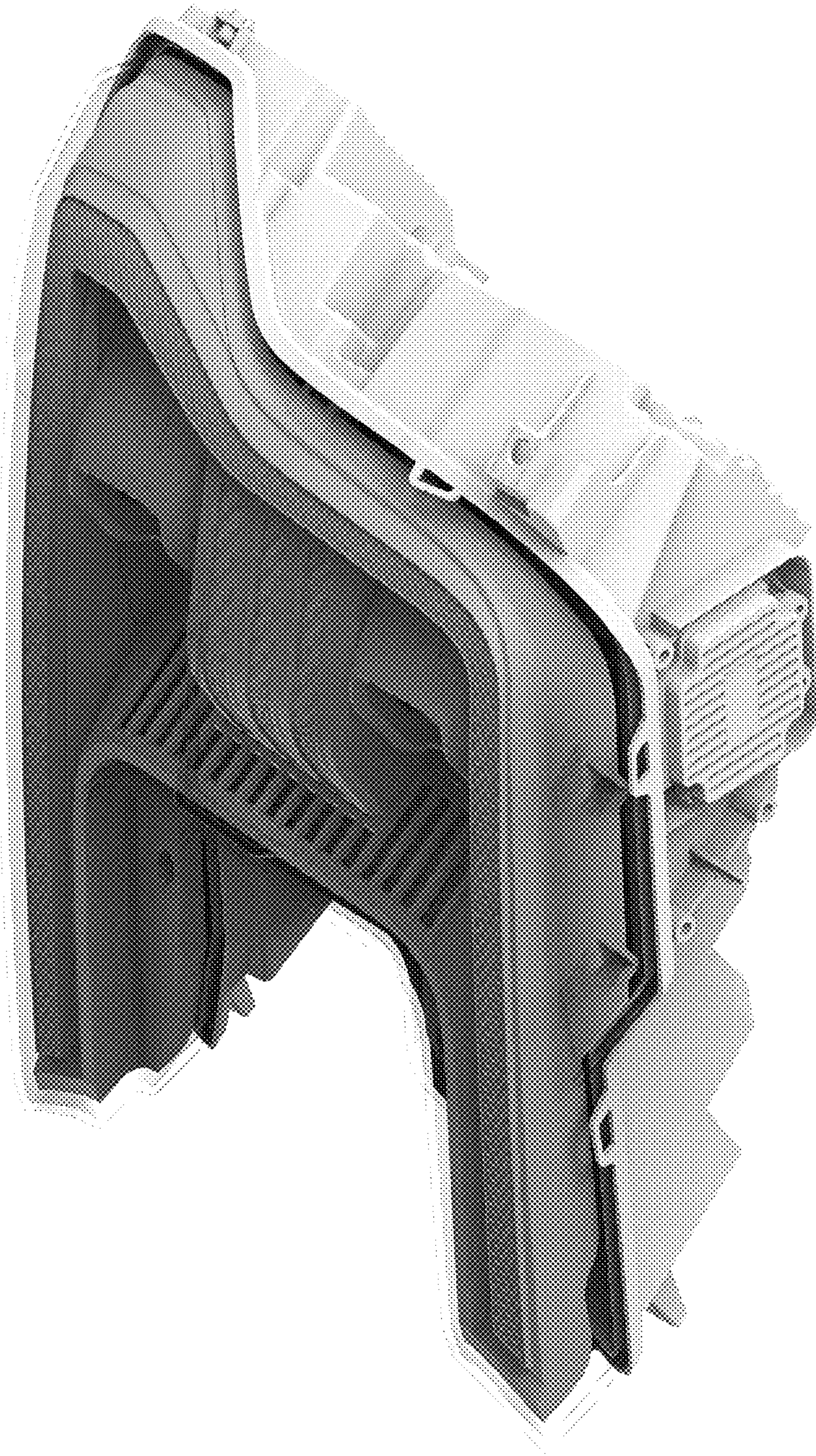


FIG. 1

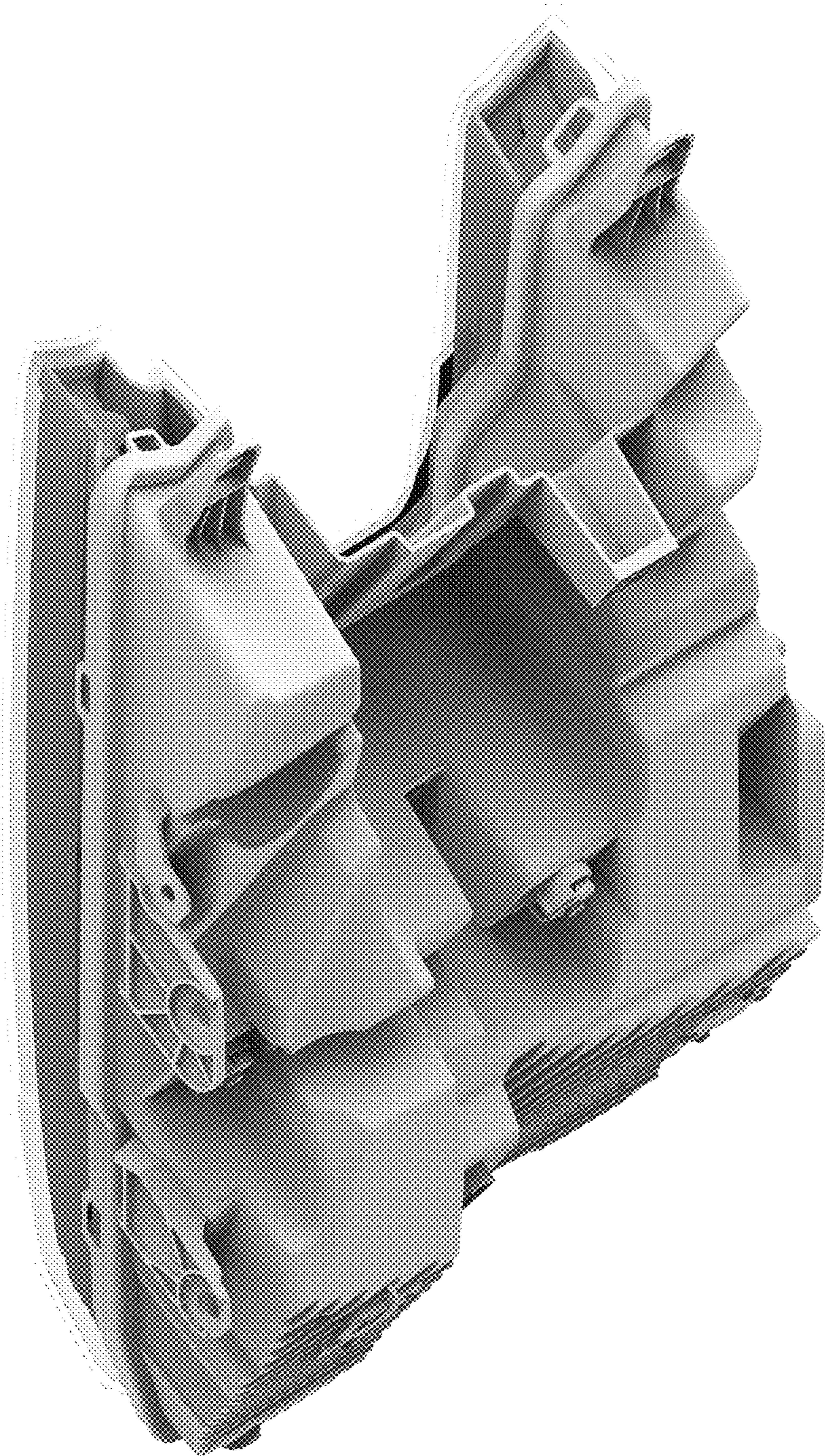


FIG. 2



FIG. 3

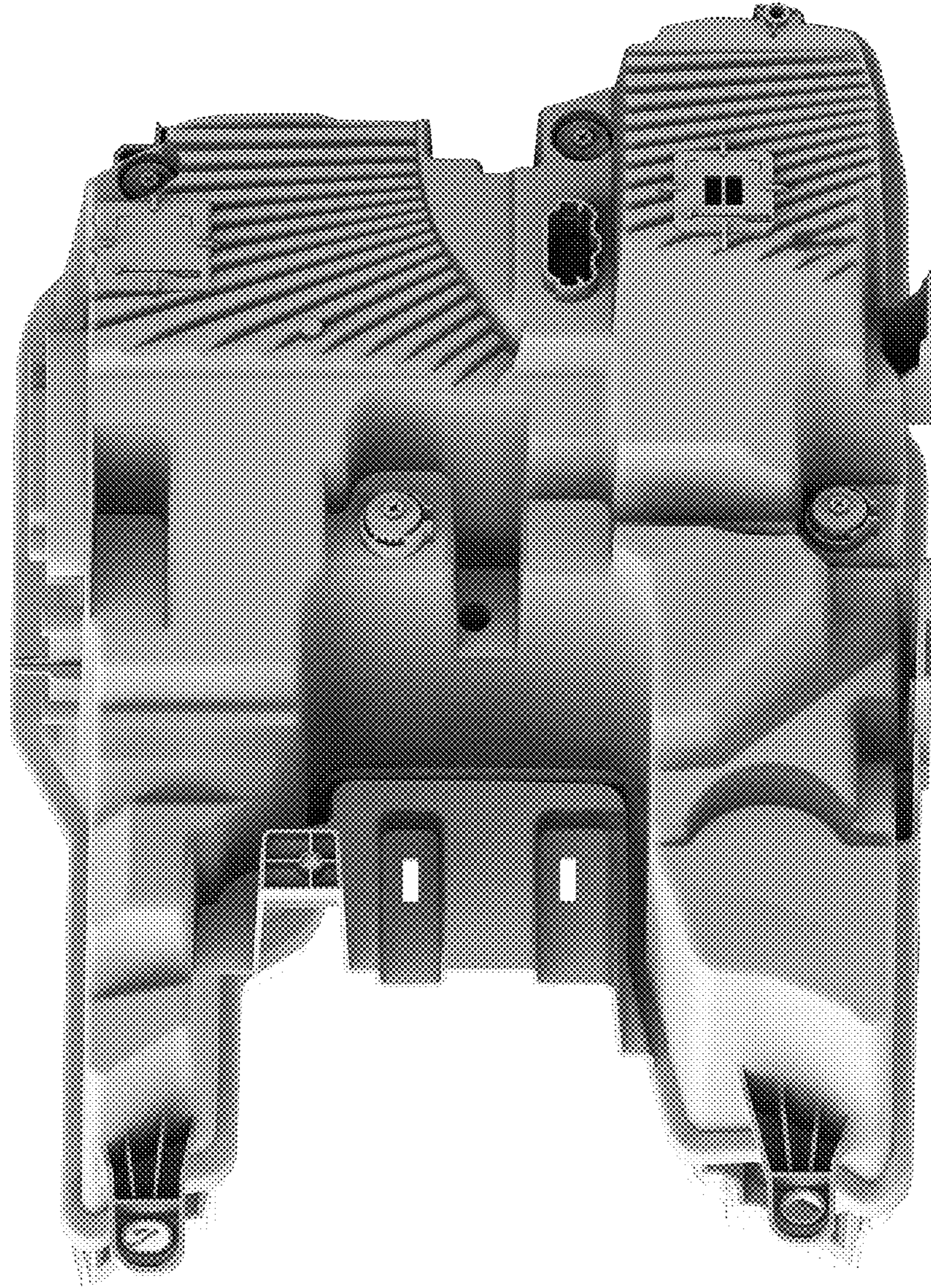


FIG. 4

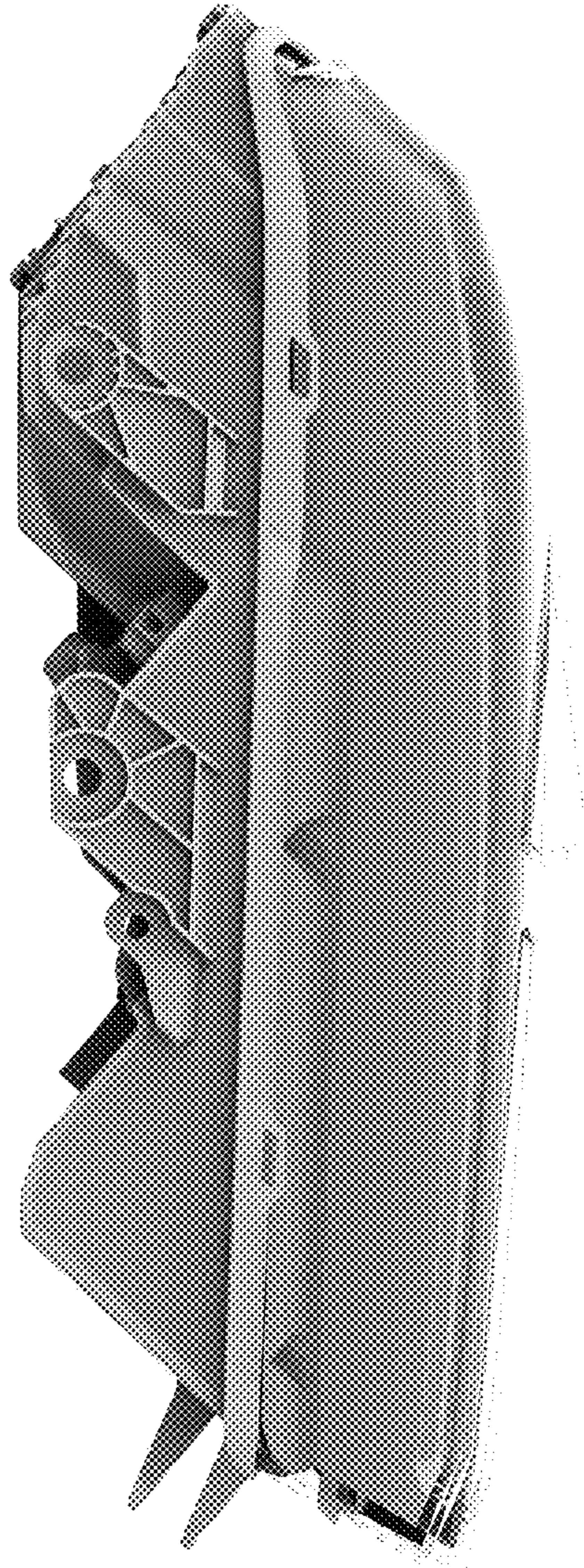


FIG. 5

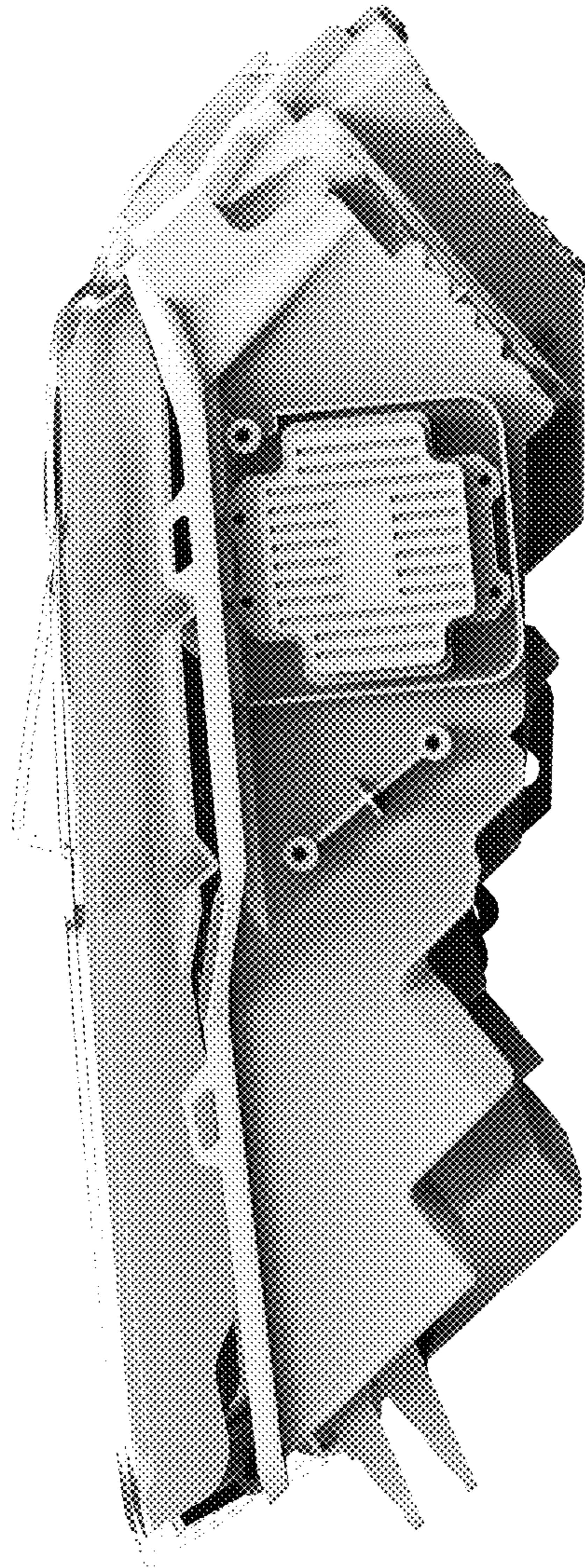


FIG. 6

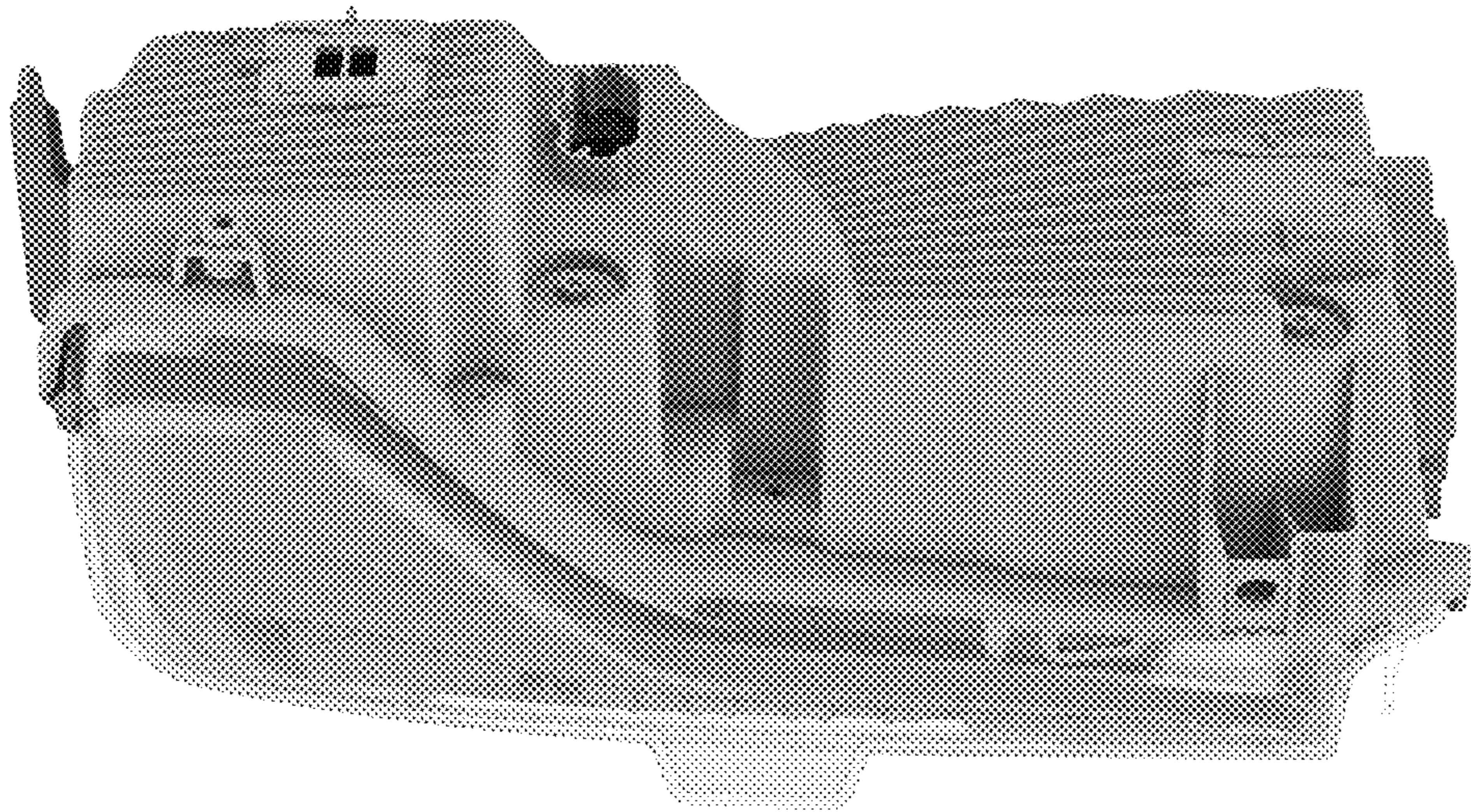


FIG. 7



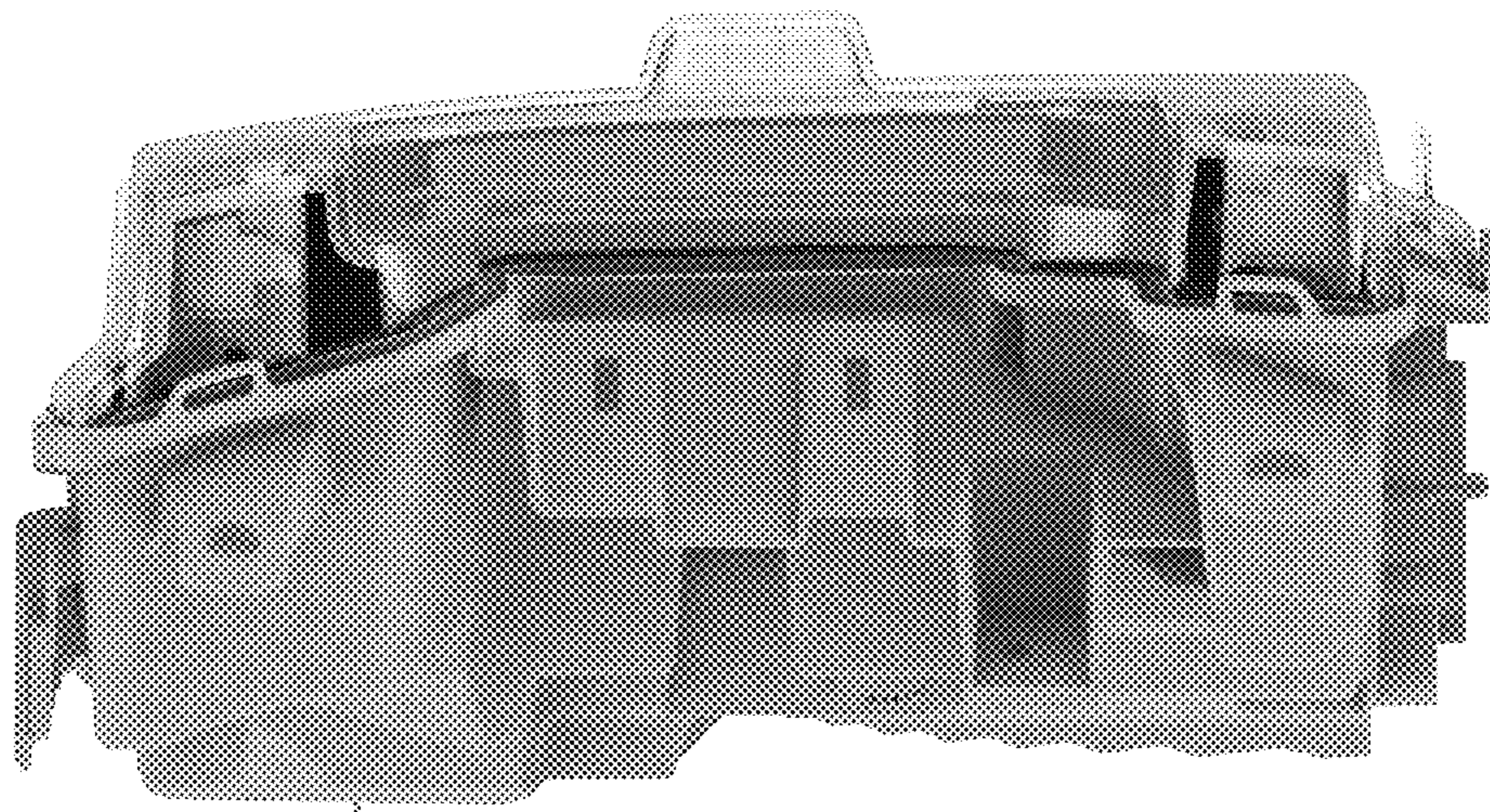


FIG. 8