



US00D925794S

(12) **United States Design Patent** (10) **Patent No.:** **US D925,794 S**  
**Lin** (45) **Date of Patent:** **\*\* Jul. 20, 2021**

(54) **AUTOMOBILE TAIL LIGHT**  
(71) Applicant: **Chi-Chung Lin**, Hsinchu (TW)  
(72) Inventor: **Chi-Chung Lin**, Hsinchu (TW)  
(\*\*) Term: **15 Years**  
(21) Appl. No.: **29/730,717**  
(22) Filed: **Apr. 7, 2020**  
(51) **LOC (13) Cl.** ..... **26-06**  
(52) **U.S. Cl.**  
USPC ..... **D26/28**  
(58) **Field of Classification Search**  
USPC ..... D26/28-36, 139  
CPC ..... F21S 48/00; F21S 48/10; F21S 48/115;  
F21S 48/225; F21S 48/1233; F21S  
48/1266; F21S 48/1388; F21S 48/2268;  
F21V 21/04; F21V 29/004; B60Q 9/13;  
B60Q 9/135; B60Q 9/1375  
See application file for complete search history.

D472,994 S 4/2003 Horowitz  
D472,996 S 4/2003 Horowitz  
D473,666 S 4/2003 Horowitz  
D475,473 S 6/2003 Horowitz  
D475,474 S 6/2003 Hsieh et al.  
D476,435 S \* 6/2003 Lin ..... D26/28  
D477,677 S 7/2003 Wu  
D481,474 S 10/2003 Yang  
D483,886 S 12/2003 Horowitz  
D485,936 S 1/2004 Tsai  
D488,584 S 4/2004 Tsai  
D491,299 S 6/2004 Simmons et al.  
D532,535 S \* 11/2006 Lin ..... D26/28  
D540,967 S 4/2007 Rogers  
D550,382 S \* 9/2007 Ellis ..... D26/28  
D553,766 S 10/2007 Golden et al.  
D584,839 S 1/2009 Choi et al.  
D591,231 S 4/2009 Wung et al.  
D592,336 S \* 5/2009 Hsu ..... D26/28  
D631,995 S 2/2011 Huschke  
D637,320 S \* 5/2011 Yang ..... D26/28  
D694,291 S 11/2013 Hottmann et al.

(Continued)

*Primary Examiner* — Marcus A Jackson  
(74) *Attorney, Agent, or Firm* — Alexander Chen, Esq.

(56) **References Cited**

U.S. PATENT DOCUMENTS

D388,200 S 12/1997 Tomforde et al.  
D409,772 S \* 5/1999 Bangle ..... D26/28  
D449,898 S 10/2001 Horowitz  
D456,919 S 5/2002 Horowitz  
D460,205 S 7/2002 Horowitz  
D460,833 S 7/2002 Horowitz  
D464,748 S 10/2002 Horowitz  
D466,574 S 12/2002 Vito  
D467,019 S 12/2002 Horowitz  
D467,366 S 12/2002 Shiesh  
D468,036 S 12/2002 Horowitz  
D468,462 S 1/2003 Horowitz  
D469,554 S 1/2003 Horowitz  
D470,259 S 2/2003 Horowitz  
D470,614 S 2/2003 Chuang et al.  
D471,303 S 3/2003 Pan et al.

(57) **CLAIM**

The ornamental design for an automobile tail light, as shown and described.

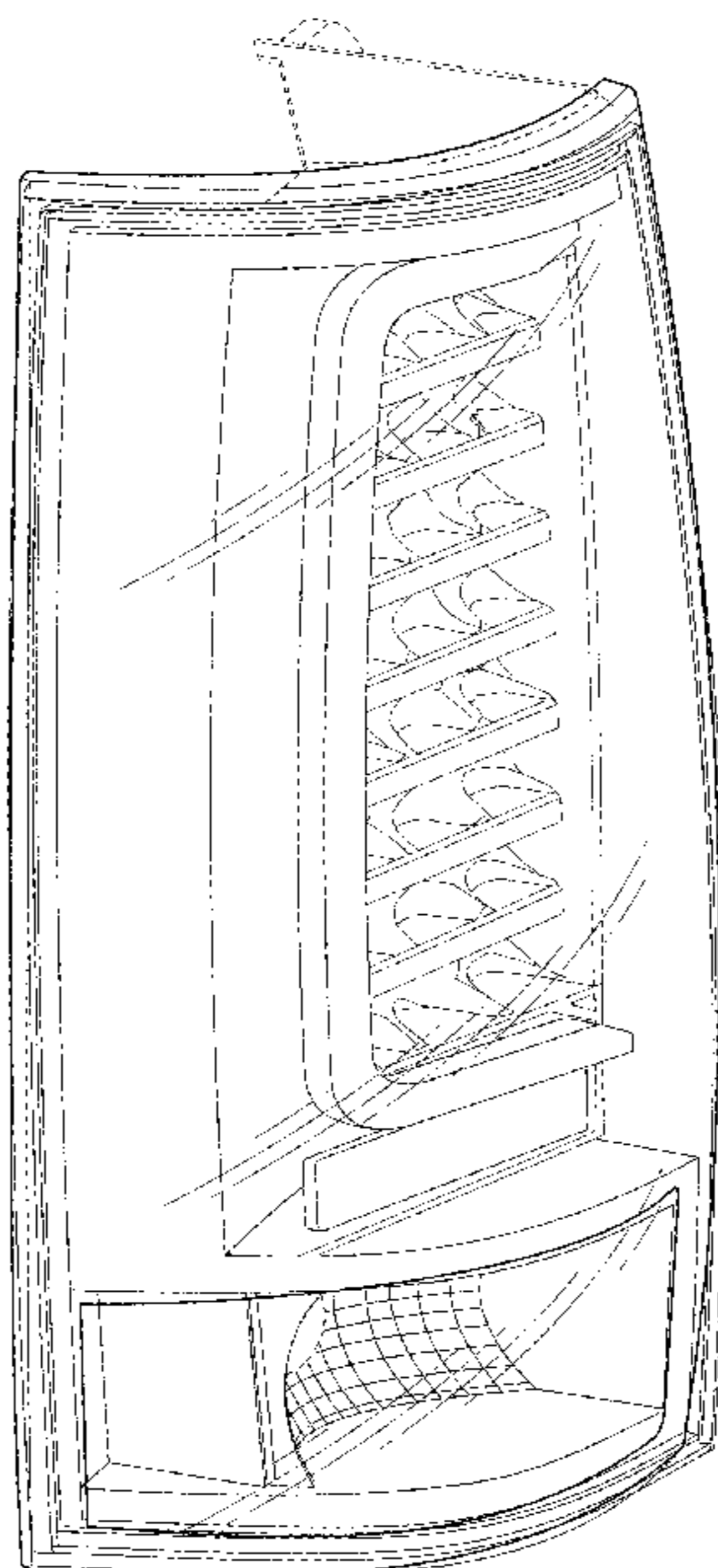
**DESCRIPTION**

FIG. 1 is a perspective view of an automobile tail light; FIG. 2 is a front view thereof; FIG. 3 is a side view thereof; FIG. 4 is a top view thereof; and, FIG. 5 is a bottom view thereof.

The broken lines are included to show environmental structure and form no part of the claimed design.

The design envisioned contains a second portion whose image is mirror symmetrical to the one shown.

**1 Claim, 5 Drawing Sheets**



(56)

**References Cited**

U.S. PATENT DOCUMENTS

D703,847 S	*	4/2014	MacKay .....	D26/28
D723,199 S	*	2/2015	Lai .....	D26/28
D724,243 S	*	3/2015	Lai .....	D26/28
D761,979 S		7/2016	Wu	
D787,723 S		5/2017	Wu	
D804,691 S		12/2017	Lin	
D825,831 S		8/2018	Lin	
D830,590 S		10/2018	Lai	
D835,310 S		12/2018	Thomas	
D866,851 S		11/2019	Lai	
D871,660 S		12/2019	Lai	

\* cited by examiner

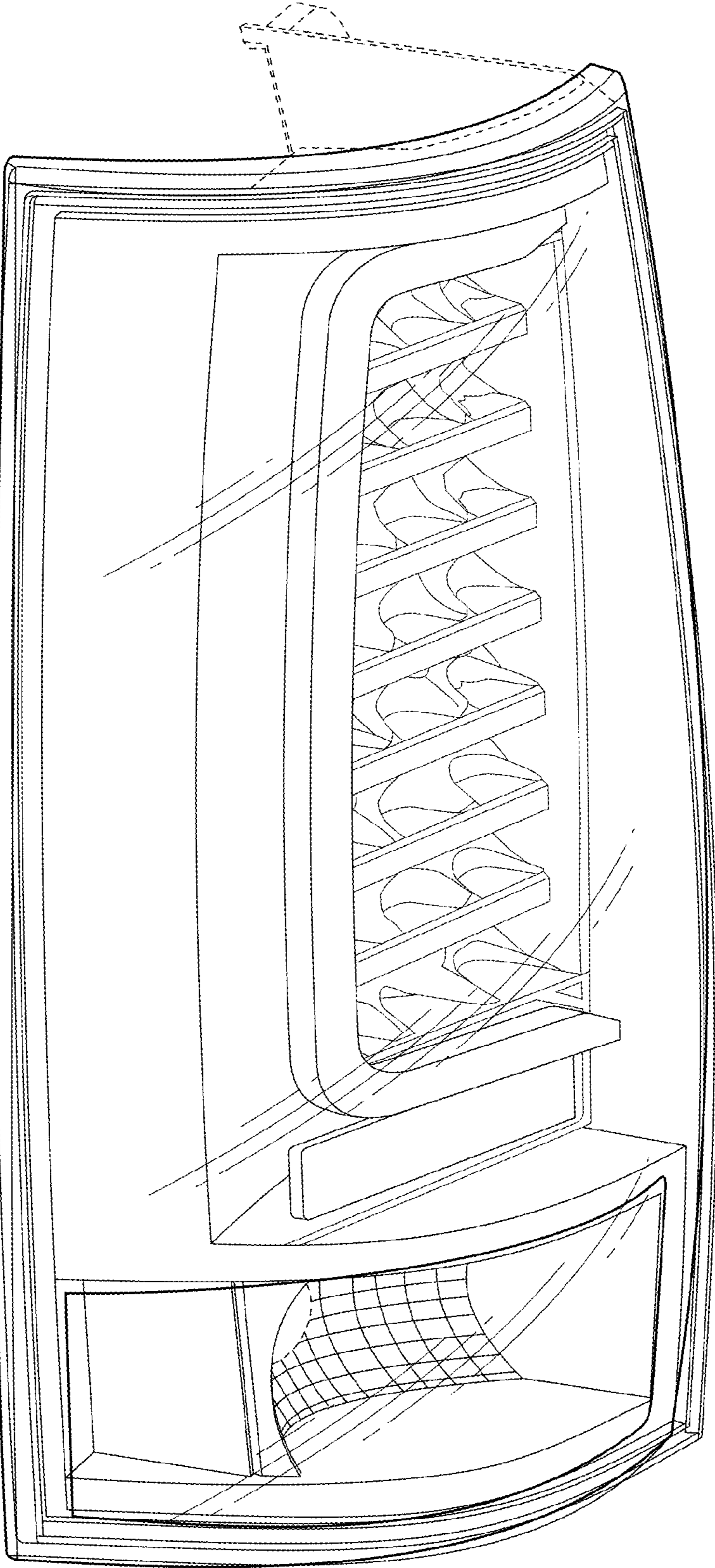


FIG. 1



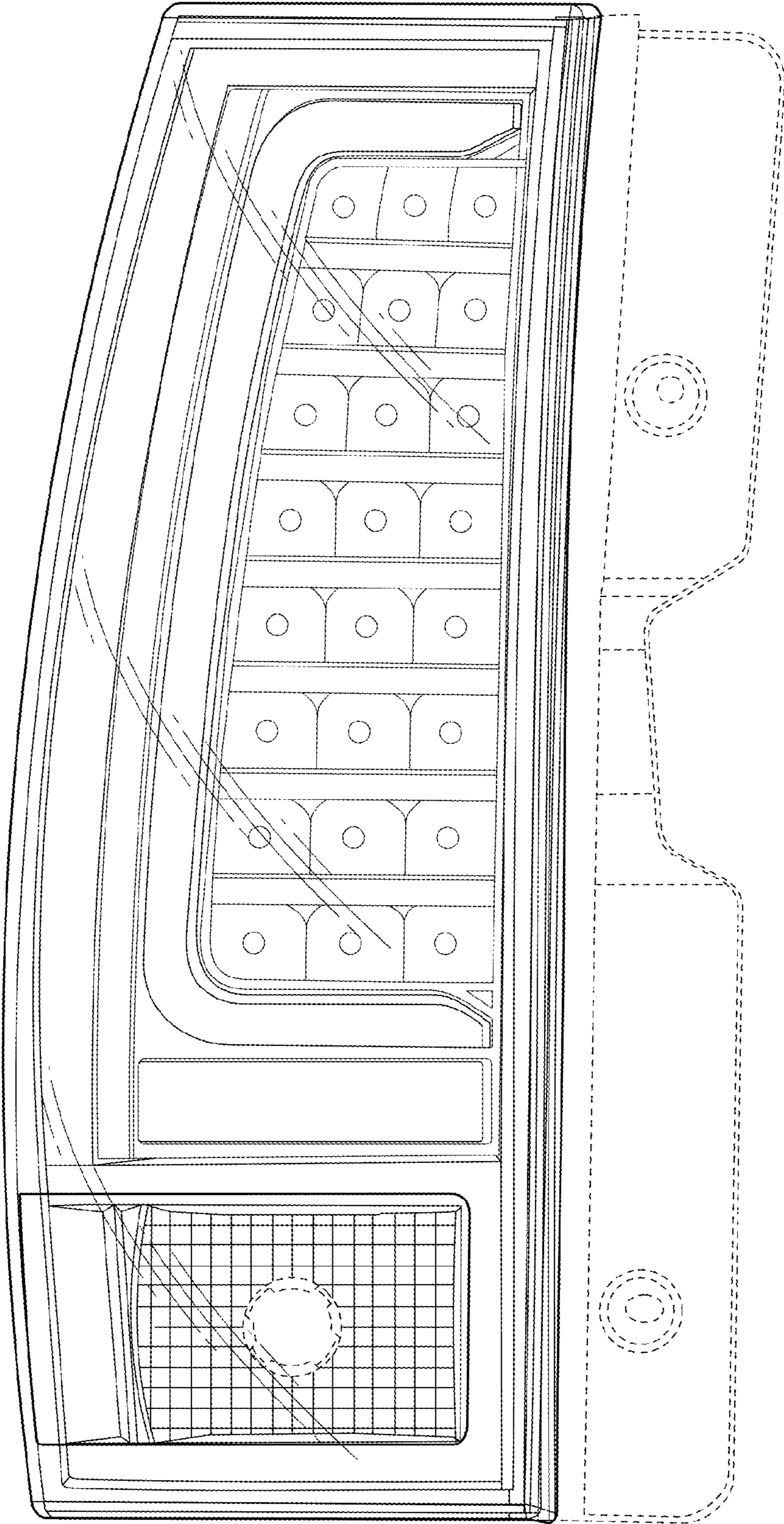


FIG. 2

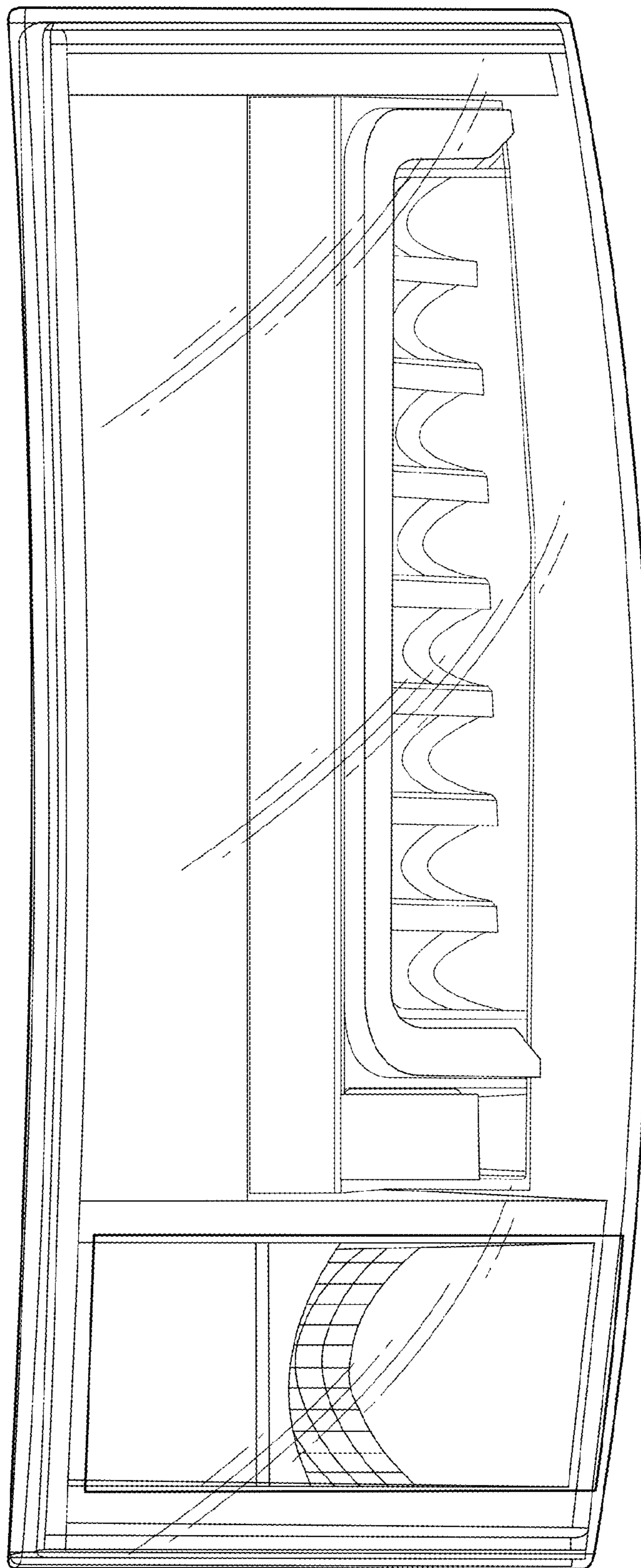


FIG. 3

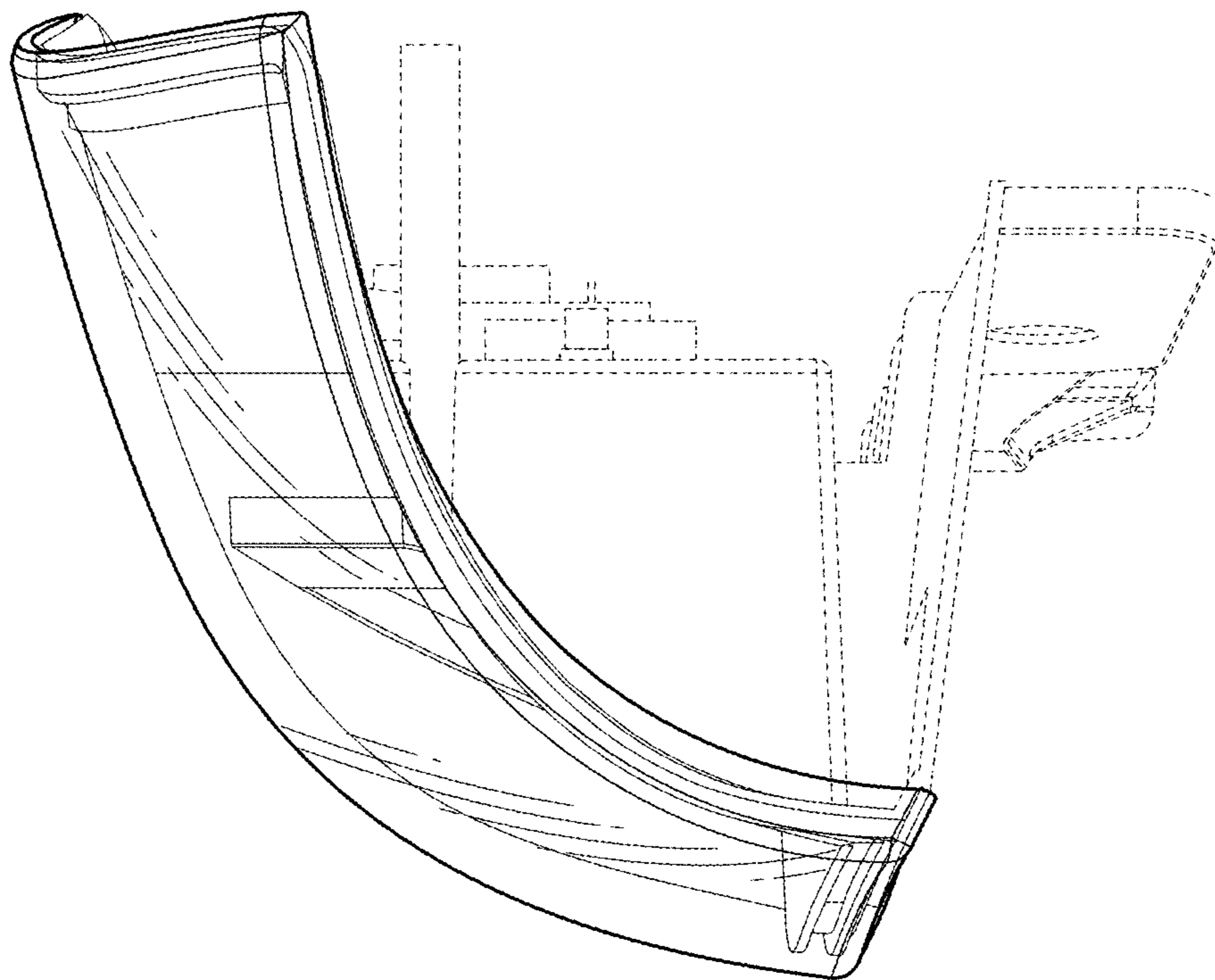


FIG. 4

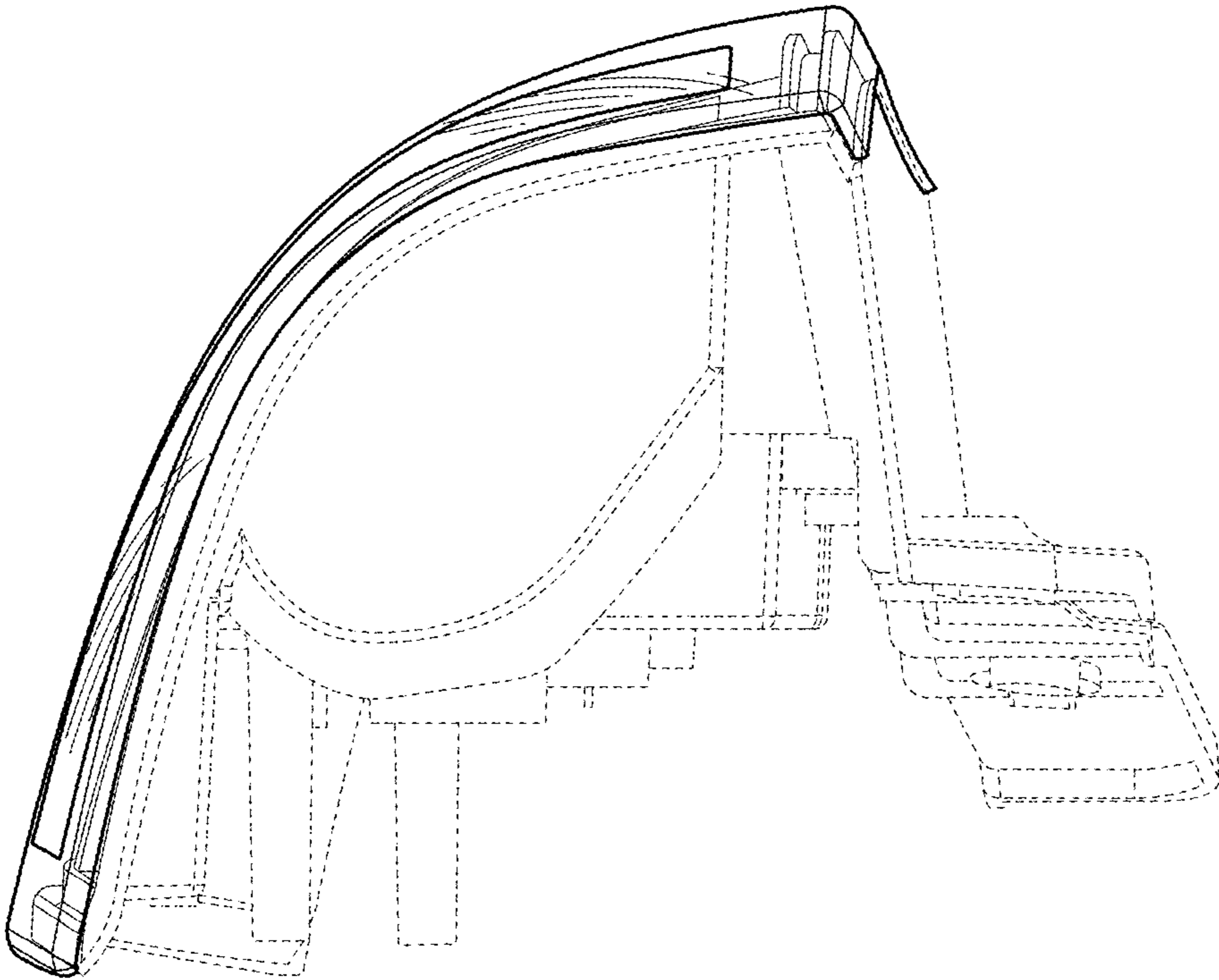


FIG. 5