



US00D925791S

(12) **United States Design Patent**
Chambers et al.

(10) **Patent No.:** **US D925,791 S**

(45) **Date of Patent:** **** Jul. 20, 2021**

(54) **MOTORCYCLE HEADLAMP**

(71) Applicant: **Super73, Inc.**, Irvine, CA (US)

(72) Inventors: **Ian Chambers**, Irvine, CA (US);
Legrand Crewse, Irvine, CA (US)

(73) Assignee: **Super73, Inc.**, Irvine, CA (US)

(**) Term: **15 Years**

(21) Appl. No.: **29/722,005**

(22) Filed: **Jan. 24, 2020**

(51) **LOC (13) Cl.** **26-06**

(52) **U.S. Cl.**
USPC **D26/28**

(58) **Field of Classification Search**

USPC D26/28-36, 139
CPC F21S 48/00; F21S 48/10; F21S 48/115;
F21S 48/225; F21S 48/1233; F21S
48/1266; F21S 48/1388; F21S 48/2268;
F21V 5/00; F21V 21/04; F21V 29/004;
B60Q 9/13; B60Q 9/135; B60Q 9/1375

See application file for complete search history.

(56) **References Cited**

U.S. PATENT DOCUMENTS

D688,399 S *	8/2013	Adams	D26/28
D735,908 S *	8/2015	Ko	D26/28
D737,482 S *	8/2015	Kuge	D26/28
D747,516 S *	1/2016	Yang	D26/28
D748,831 S *	2/2016	Fan	D26/28
D754,891 S *	4/2016	Leban	D26/28
D766,473 S *	9/2016	Riedel	D26/28
D788,334 S *	5/2017	Jacq	D26/28
D799,080 S *	10/2017	Dennis	D26/28
D827,883 S *	9/2018	Deyaf	D26/28

OTHER PUBLICATIONS

<https://moto-be.com/super73>, Aug. 2017.
<https://super73.com/blogs/news/super-73-s1-rose-ave-starting-to-ship-out>, Jul. 2017.
<https://super73.com/products/super73-s1-black>, Aug. 2017.
<https://electricmotorcycles.news/the-super-73-scout/>, Aug. 2017.

* cited by examiner

Primary Examiner — Marcus A Jackson

(74) *Attorney, Agent, or Firm* — Stradling Yocca Carlson & Rauth

(57) **CLAIM**

The ornamental design of the motorcycle headlamp, as shown and described.

DESCRIPTION

FIG. 1 is a top perspective view showing environmental structure of the top, front, and left sides of a motorcycle headlamp;

FIG. 2 is a top perspective view showing the top, front, and left sides of the motorcycle headlamp;

FIG. 3 is top perspective view showing the top, rear, and left sides of the motorcycle headlamp;

FIG. 4 is a front elevation view of the motorcycle headlamp;

FIG. 5 is a rear elevation view of the motorcycle headlamp;

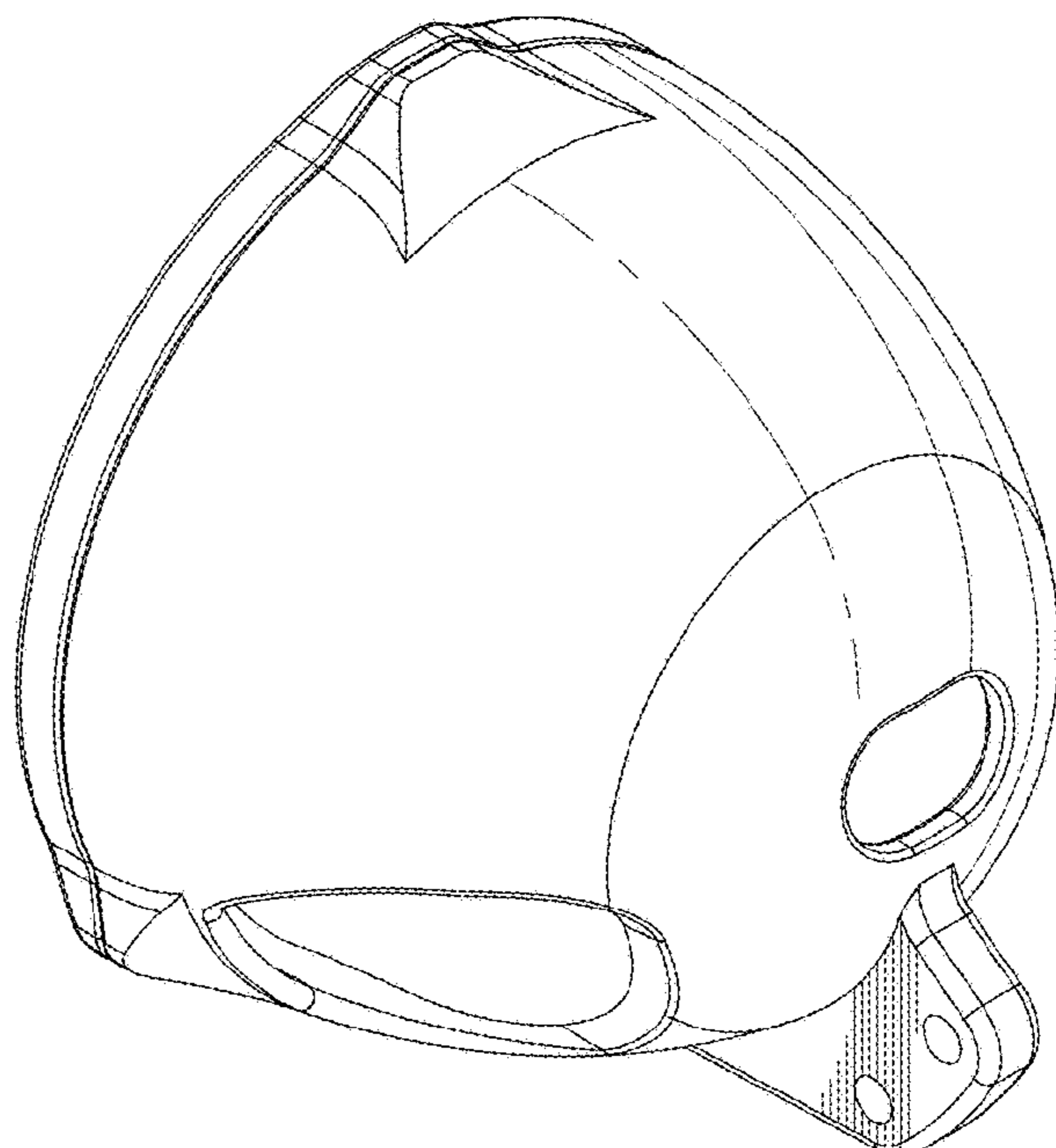
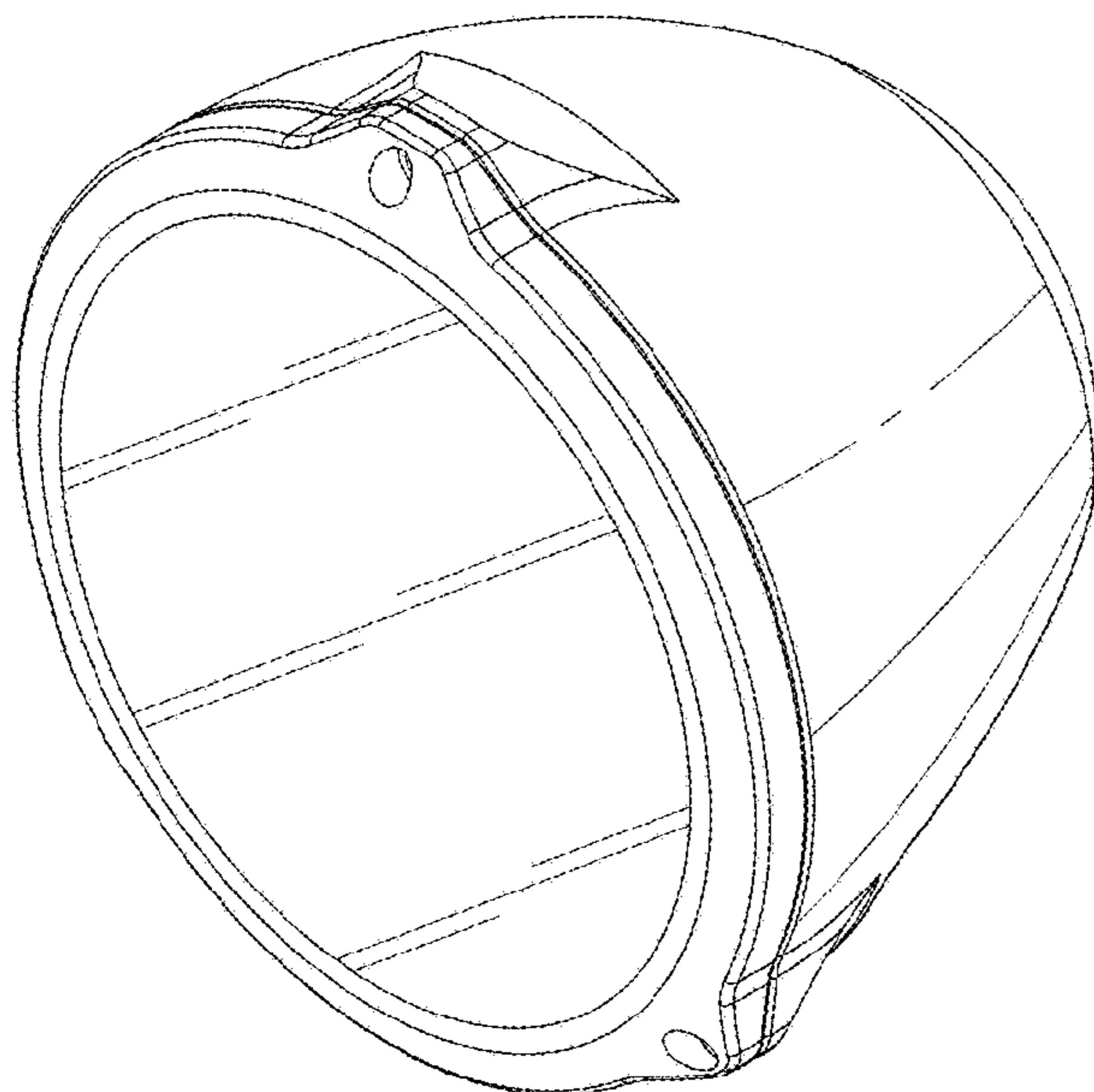
FIG. 6 is a right side elevation view of the motorcycle headlamp;

FIG. 7 is a left side elevation view of the motorcycle headlamp;

FIG. 8 is a top plan view of the motorcycle headlamp; and, FIG. 9 is a bottom plan view of the motorcycle headlamp.

The portions shown in broken lines show environment and form no part of the claimed design.

1 Claim, 5 Drawing Sheets



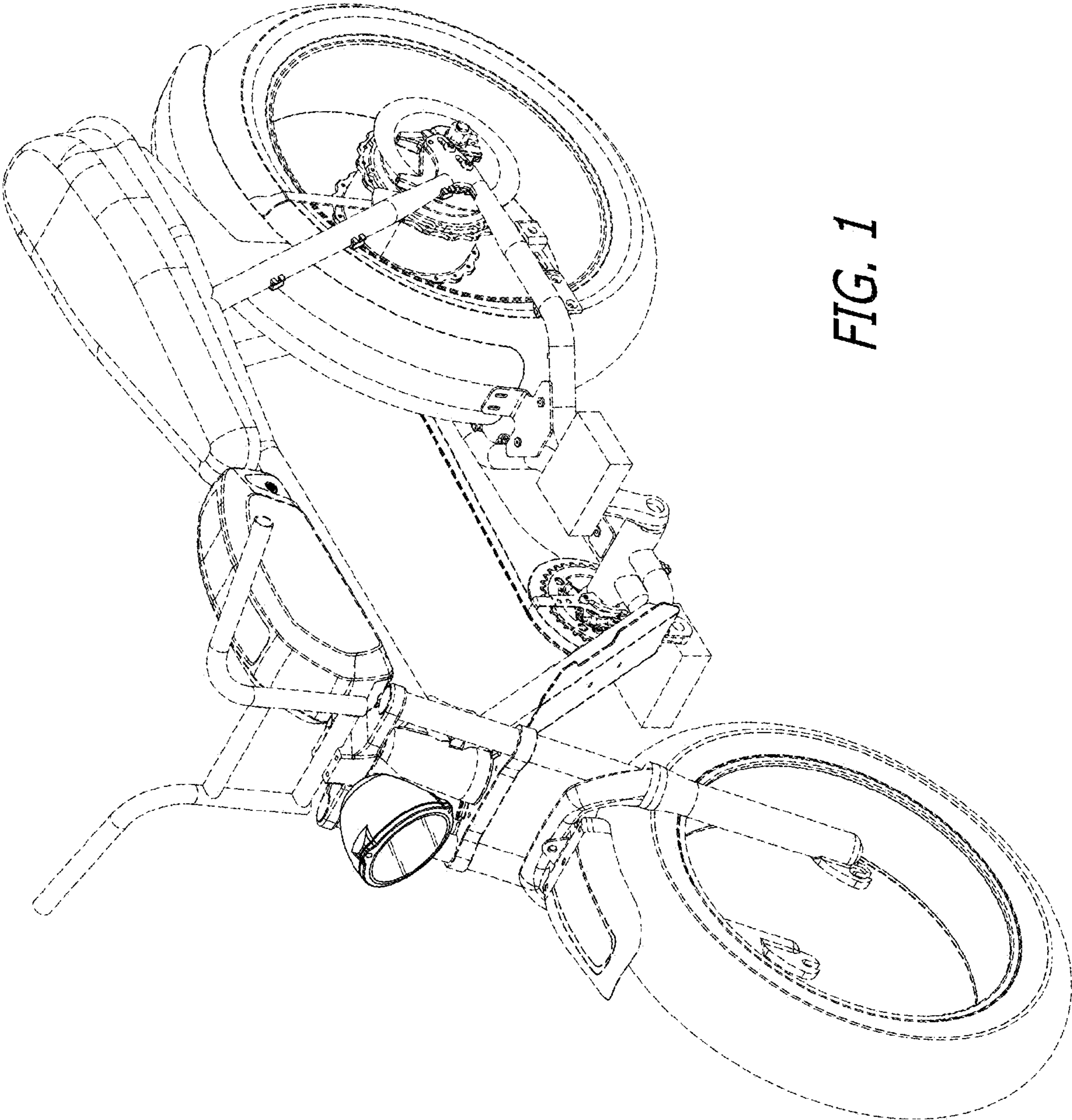


FIG. 1

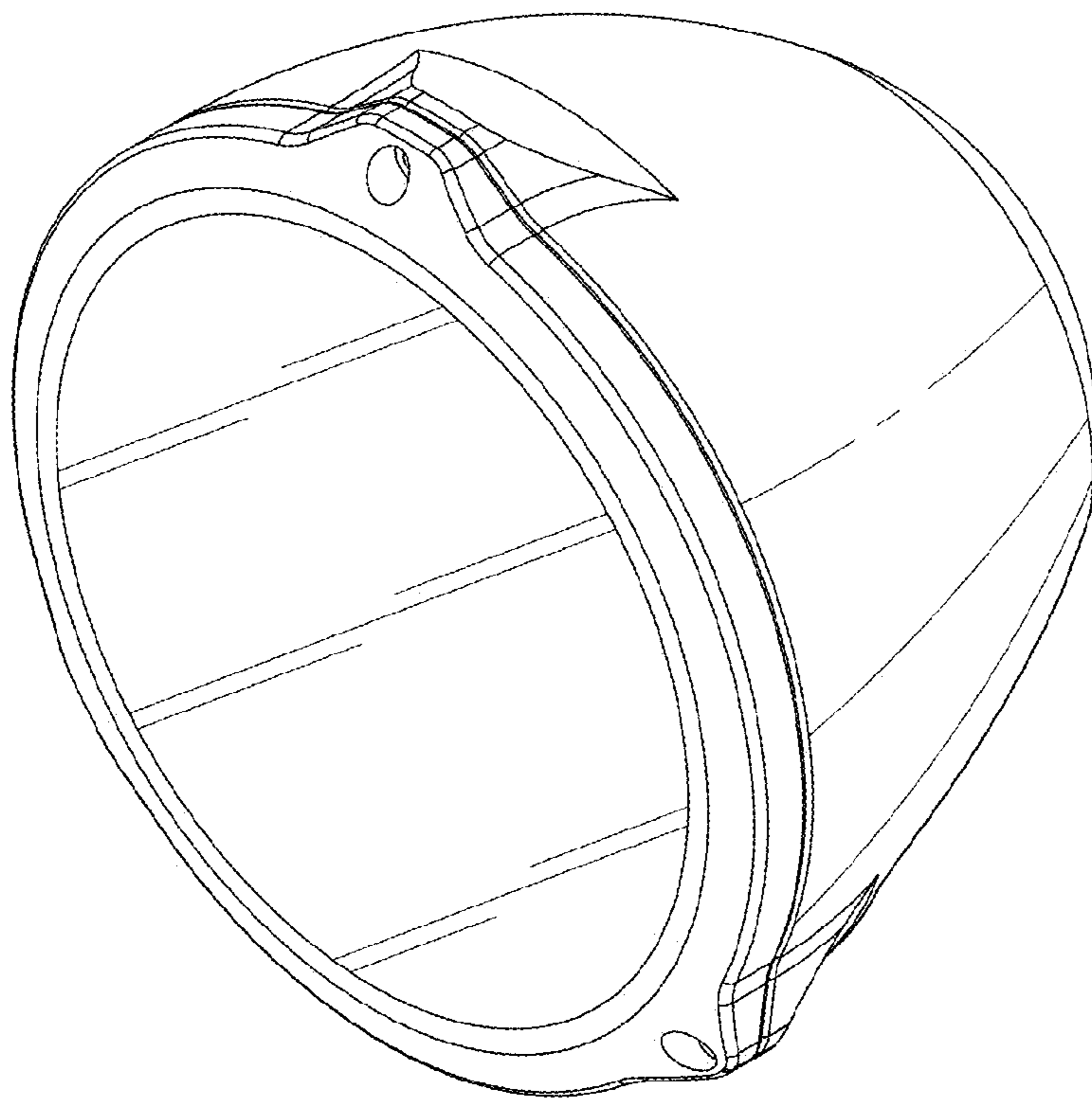


FIG. 2

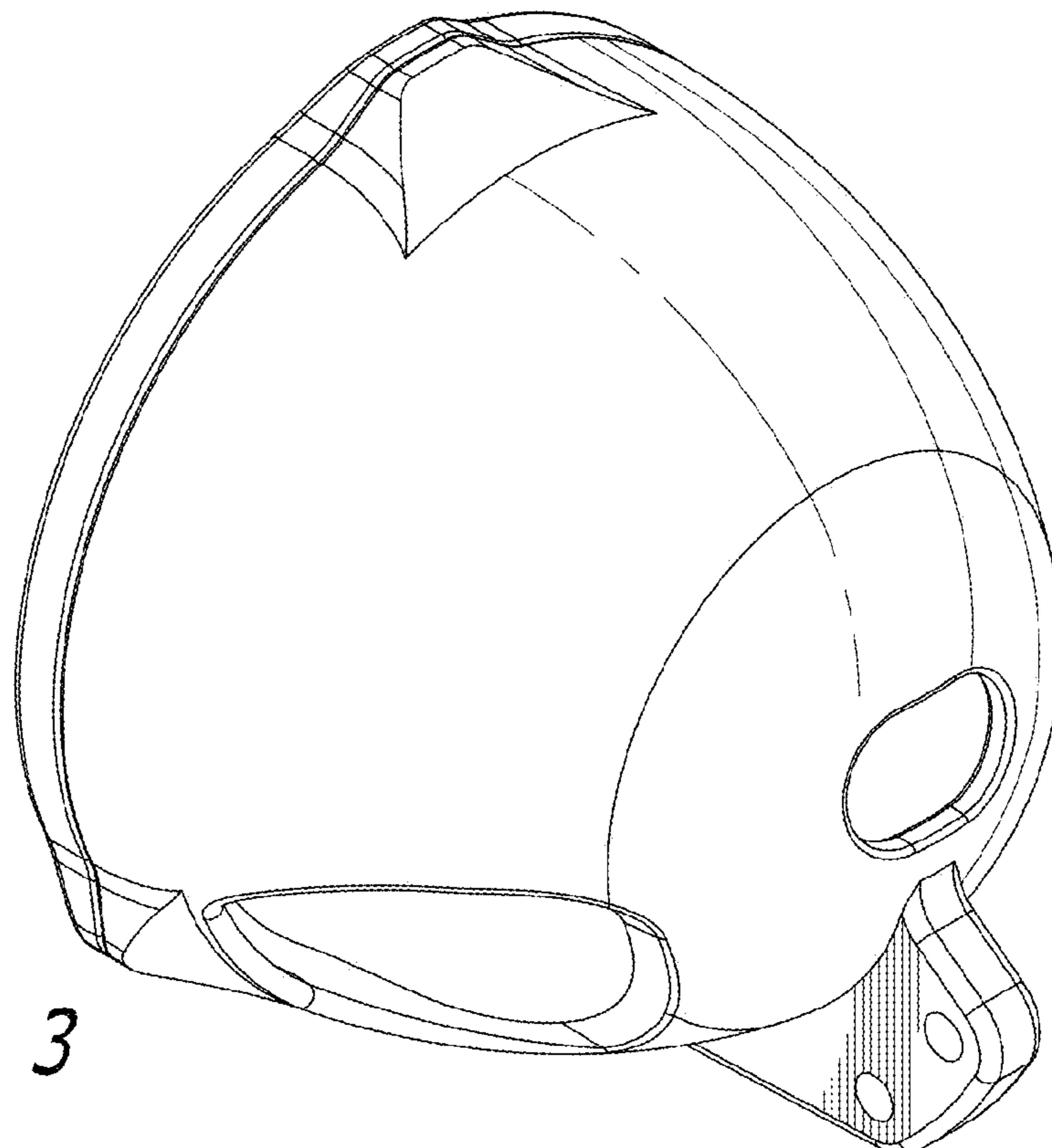


FIG. 3

FIG. 4

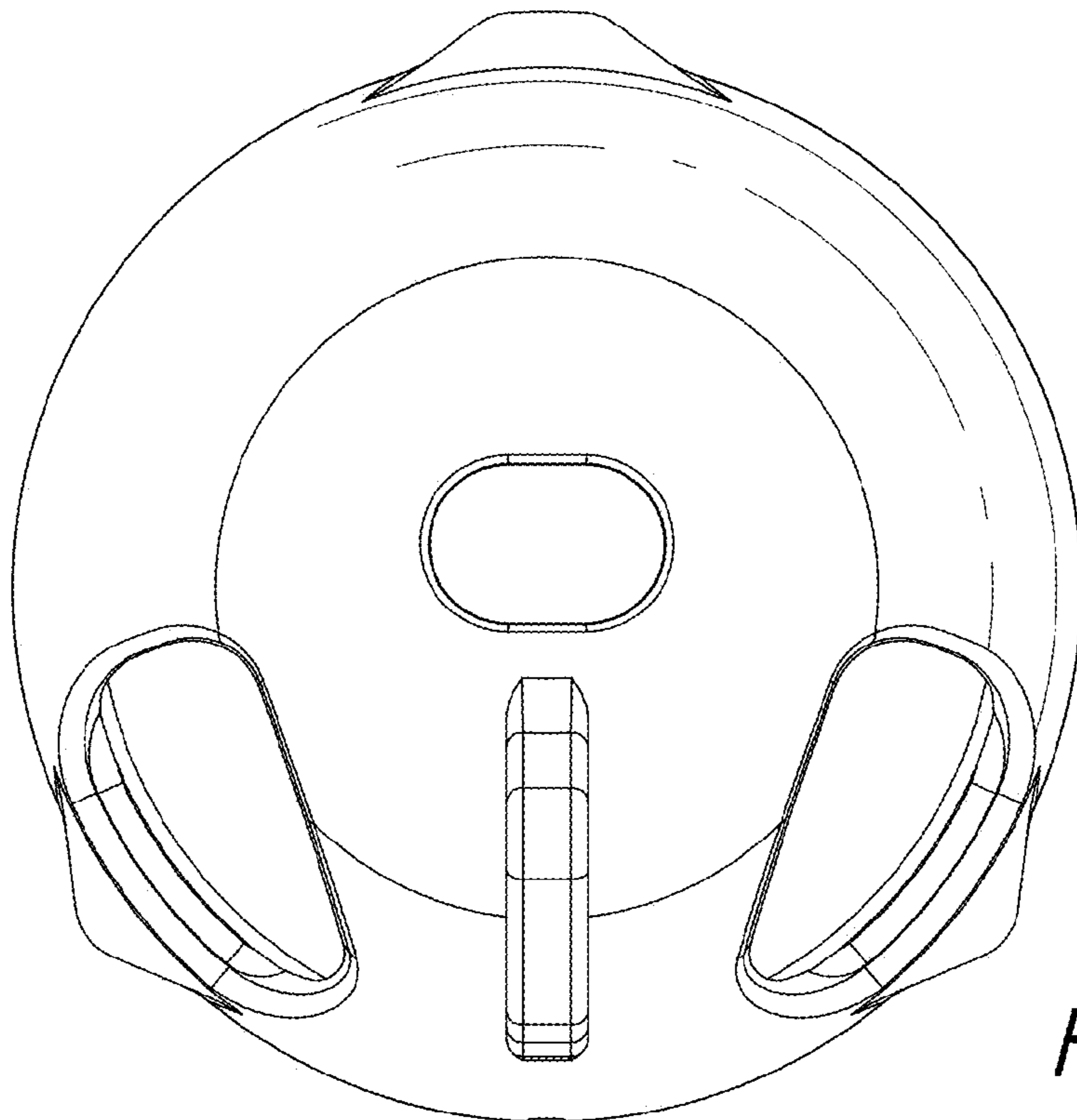
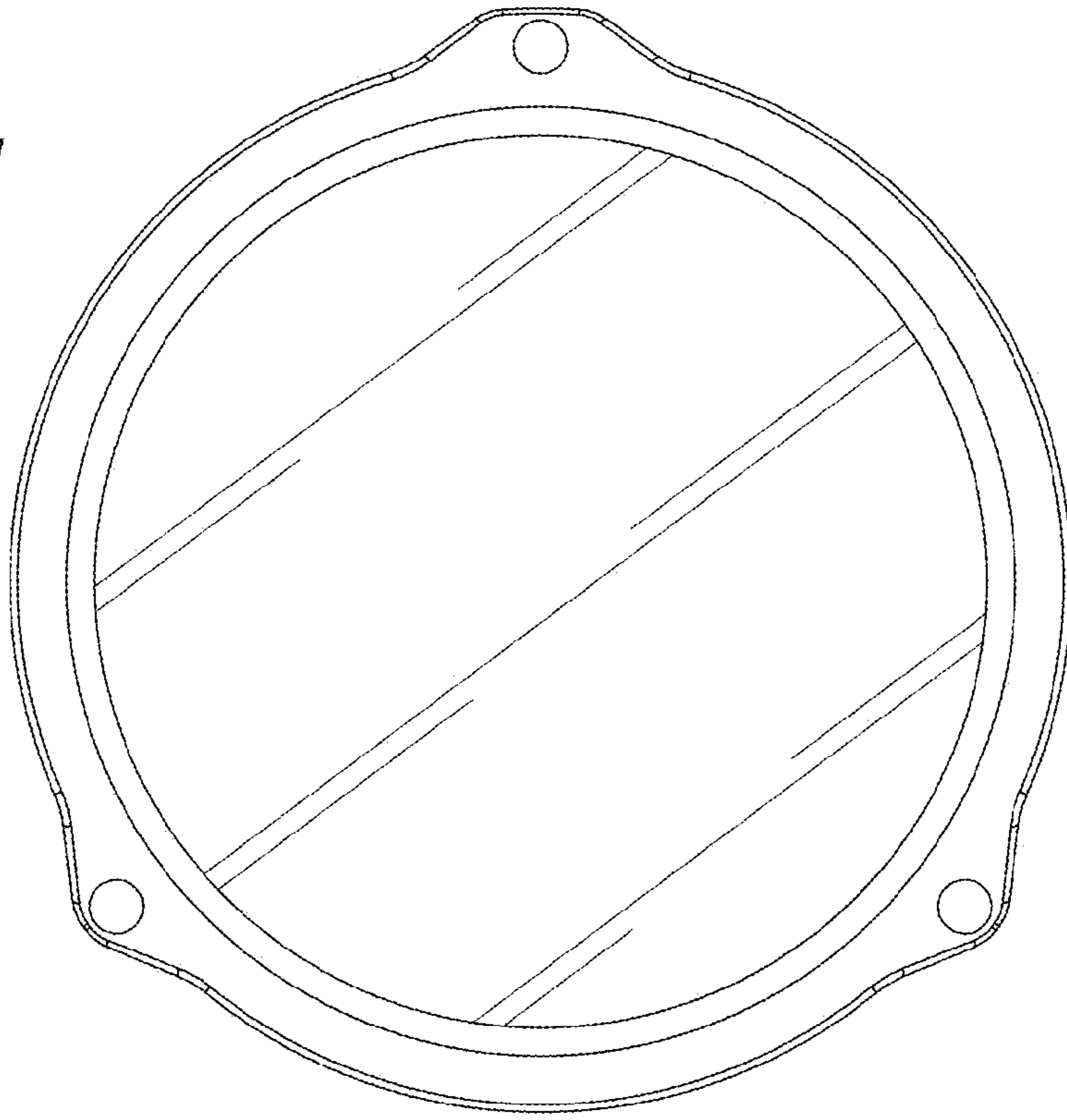


FIG. 5

FIG. 6

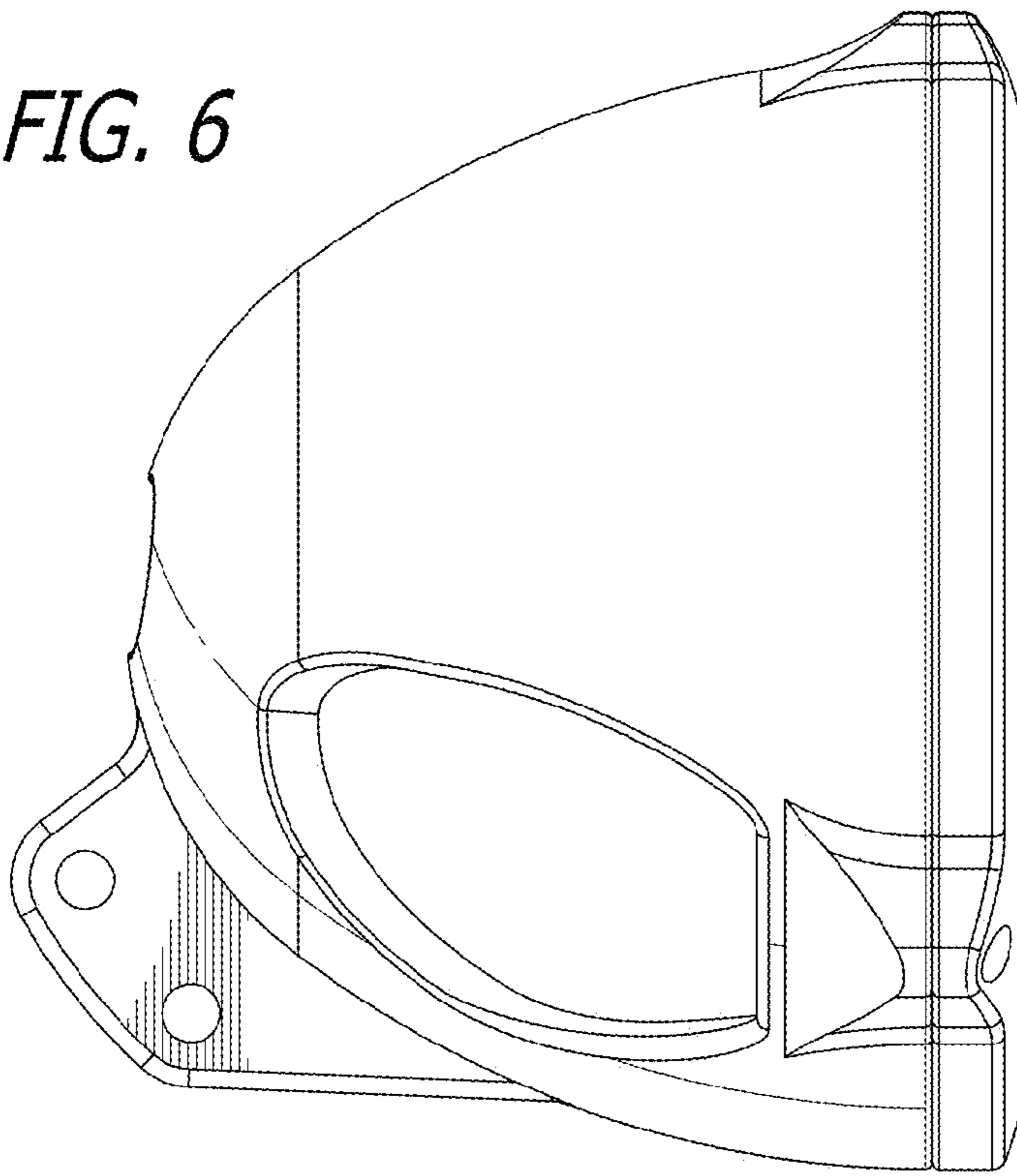
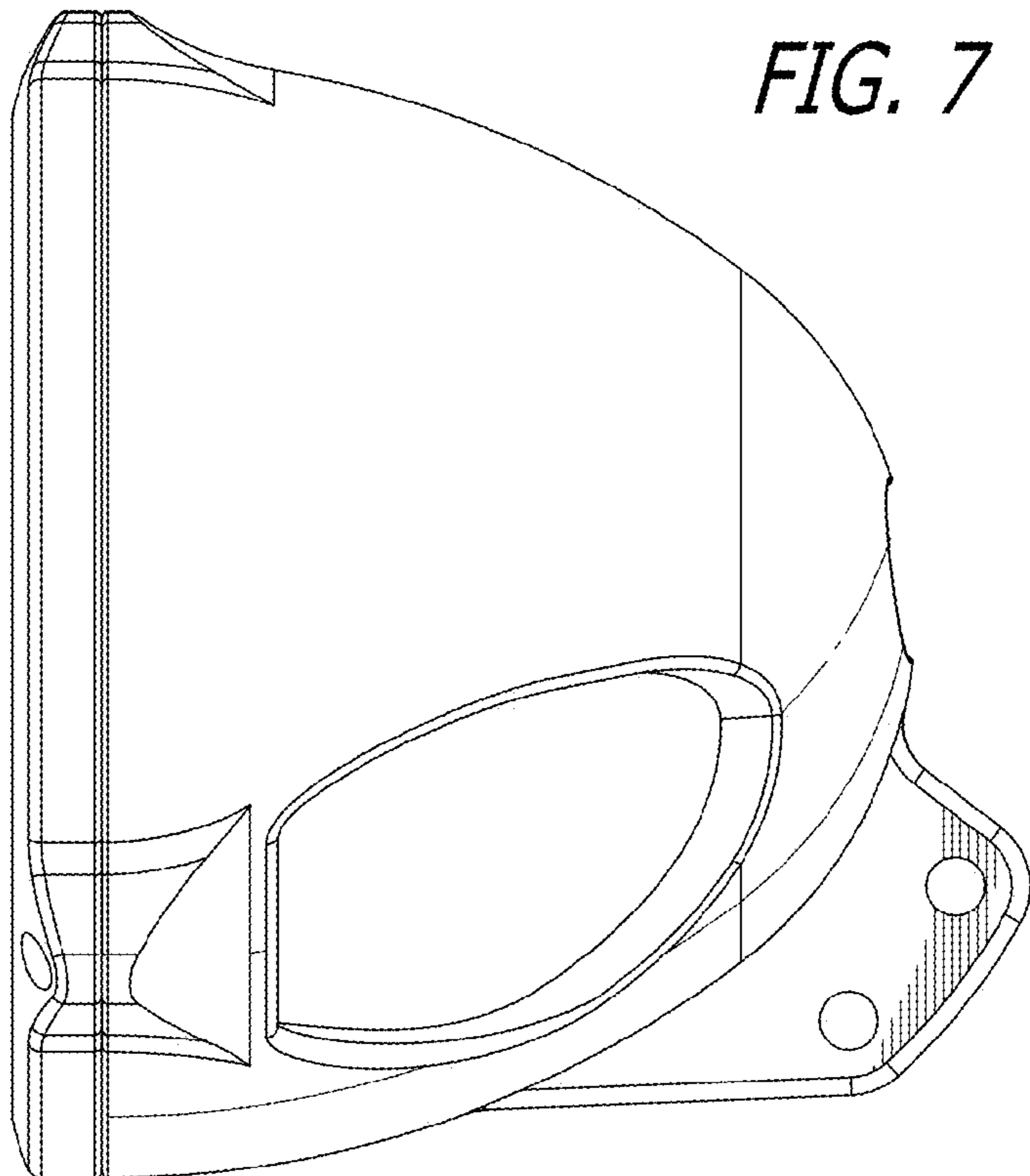


FIG. 7



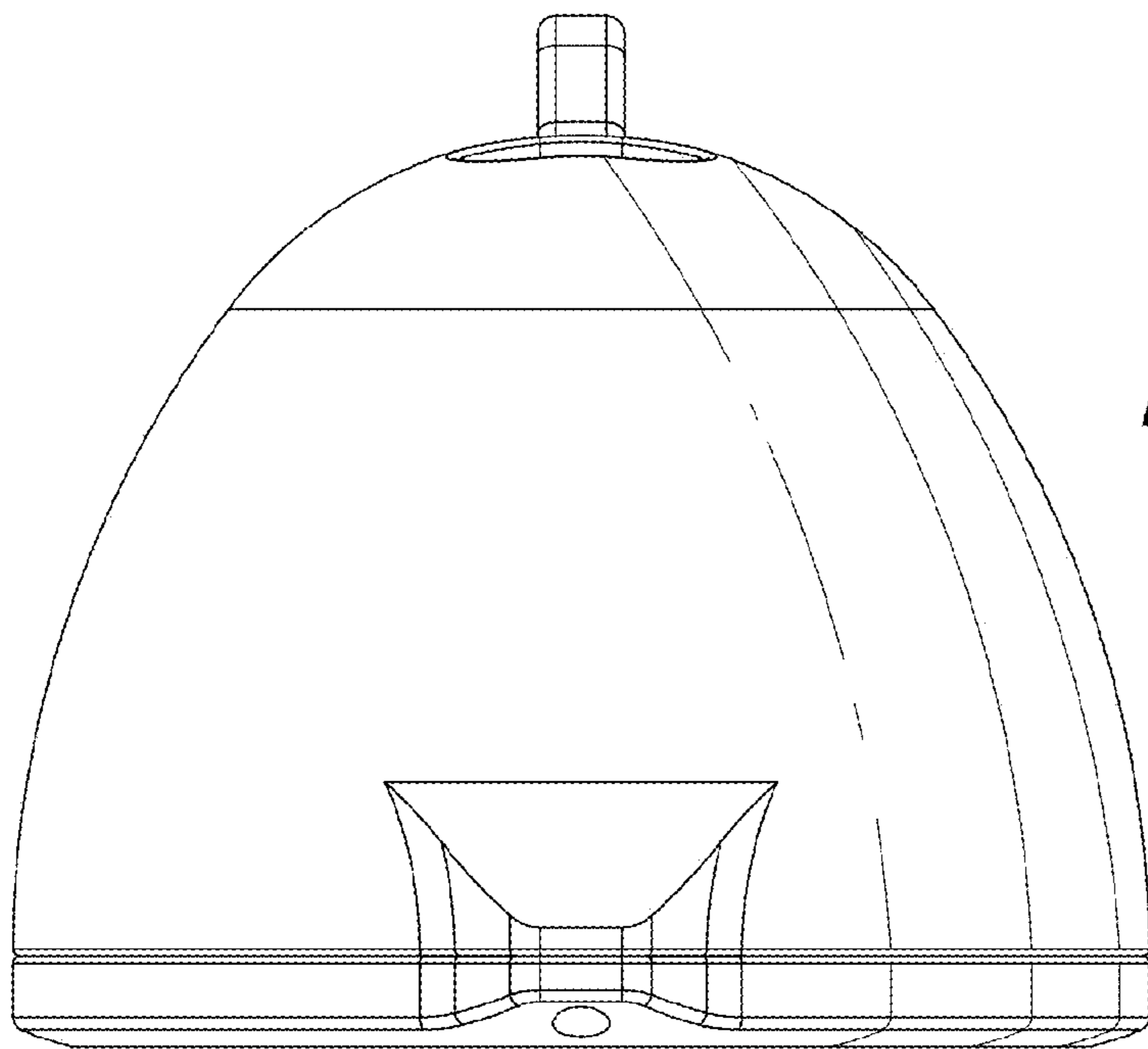


FIG. 8

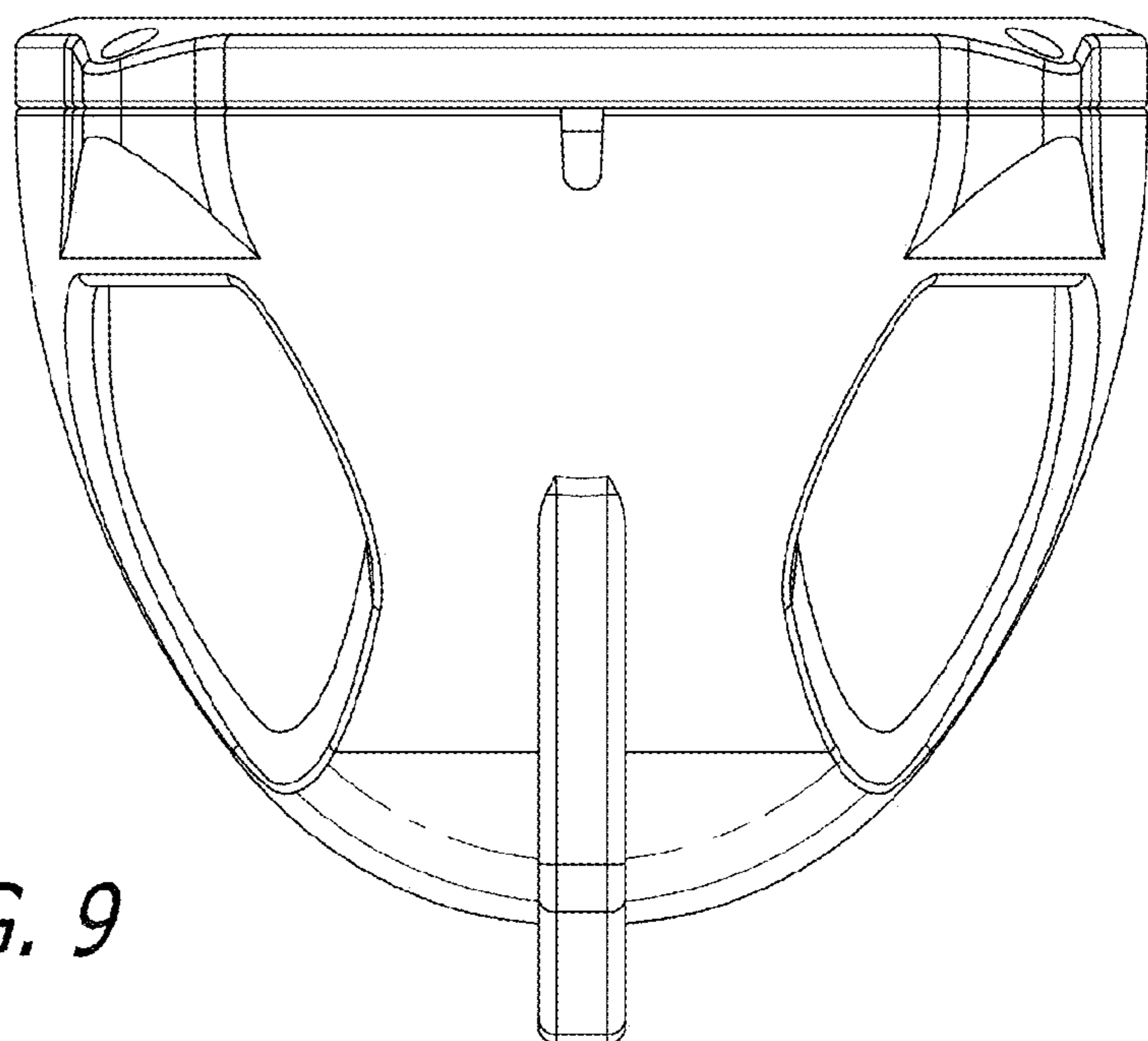


FIG. 9