



US00D925786S

(12) **United States Design Patent** (10) **Patent No.:** **US D925,786 S**
Baldwin et al. (45) **Date of Patent:** **** *Jul. 20, 2021**

(54) **PLUG-IN NIGHT LIGHT** 5,947,786 A * 9/1999 Glick A63H 33/04
446/85
(71) Applicants: **Jeffrey P. Baldwin**, Anthem, AZ (US); D419,259 S * 1/2000 Johnson D27/175
John E. Klein, Chandler, AZ (US) D435,124 S * 12/2000 Yuen D26/26
6,674,003 B1 * 1/2004 Torres H02G 3/14
174/66
(72) Inventors: **Jeffrey P. Baldwin**, Anthem, AZ (US); 6,675,512 B1 * 1/2004 Shwartz G09F 7/00
John E. Klein, Chandler, AZ (US) 2/195.1
(*) Notice: This patent is subject to a terminal dis- 7,025,473 B2 * 4/2006 Dokoupil H05B 45/37
claimer. D524,461 S * 7/2006 Molenaar D26/26
362/640
(**) Term: **15 Years** (Continued)

(21) Appl. No.: **29/711,969**
(22) Filed: **Nov. 4, 2019**
(51) **LOC (13) Cl.** **26-05**
(52) **U.S. Cl.**
USPC **D26/26**
(58) **Field of Classification Search**
USPC D26/24, 26, 113, 118-120;
D23/366-367, 369
CPC F21S 8/035; F21V 23/06; F21V 23/04;
F21V 23/0442; F21W 2121/00; H01R
2103/00; H01R 39/64; H01R 33/00
See application file for complete search history.

(56) **References Cited**
U.S. PATENT DOCUMENTS
D151,571 S * 10/1948 Tillinghast D13/156
D346,361 S * 4/1994 Richey D13/156
D352,564 S * 11/1994 Marischen D26/26
5,375,728 A * 12/1994 West H01R 13/443
174/488
D376,214 S * 12/1996 Pinchuk D26/26
D376,436 S * 12/1996 Emmerling D26/26
D377,535 S * 1/1997 Shulman D26/26
5,662,408 A * 9/1997 Marischen F21S 8/035
362/253
D392,756 S * 3/1998 Hanig D26/26
D394,000 S * 5/1998 Rowe D9/414
D403,442 S * 12/1998 Joss D26/26
D405,007 S * 2/1999 Naas, Sr. D27/189

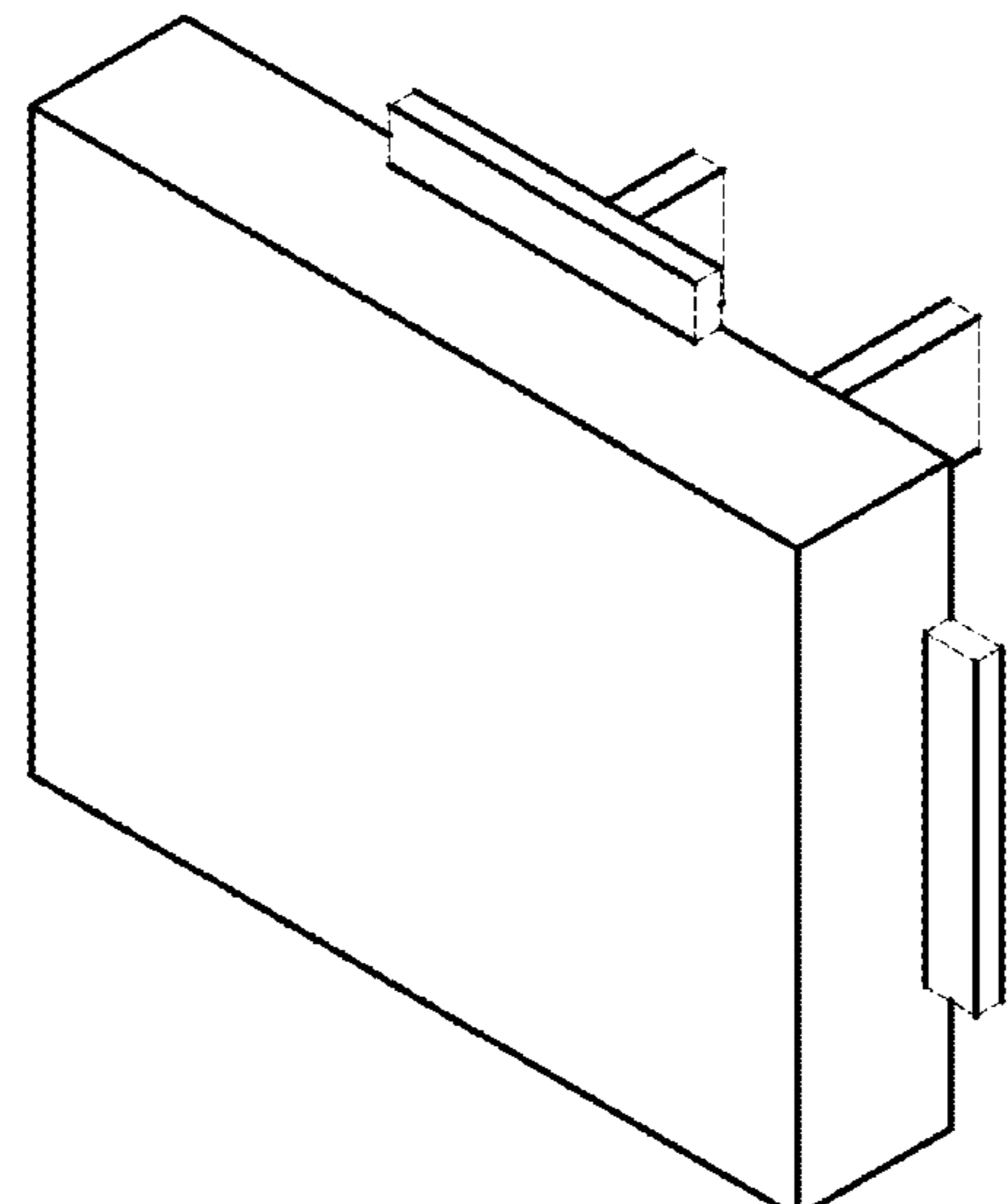
OTHER PUBLICATIONS
conservationmart.com: LimeLite Night Light 1018 Rectangle. Undated
online product page. Retrieved on Nov. 23, 2020 from <https://
www.conservationmart.com/p-418-limelite-night-light-1018-rectangle.
aspx> (Year: 2020).*
(Continued)

Primary Examiner — Holly E Thurman
(74) *Attorney, Agent, or Firm* — Booth Udall Fuller,
PLC; Kenneth C. Booth

(57) **CLAIM**
We claim the ornamental design for a plug-in night light, as
shown and described.

DESCRIPTION
FIG. 1 is a front view for a plug-in night light;
FIG. 2 is a right side view thereof;
FIG. 3 is a left side view thereof;
FIG. 4 is a top view thereof;
FIG. 5 is a bottom view thereof;
FIG. 6 is a back view thereof; and,
FIG. 7 is a front perspective view thereof.
The broken lines in the figures are for illustrative purposes
or represent portions of the article which form no part of the
claimed design.

1 Claim, 7 Drawing Sheets



(56)

References Cited

U.S. PATENT DOCUMENTS

D526,422 S * 8/2006 Yuen D26/26
 7,652,210 B2 * 1/2010 White H01R 13/447
 174/67
 D618,833 S * 6/2010 Wei D26/26
 D633,237 S * 2/2011 Wang D26/26
 D634,055 S * 3/2011 Hokazono D26/89
 D639,984 S * 6/2011 Stolte D26/26
 D641,098 S * 7/2011 Wildner D26/89
 D645,175 S * 9/2011 Stolte D26/26
 8,093,497 B2 * 1/2012 White H02G 3/14
 174/67
 8,324,500 B2 * 12/2012 Belyea H01R 13/443
 174/66
 D675,908 S * 2/2013 Neuhaus D9/414
 D687,706 S * 8/2013 Akana D9/432
 9,088,081 B2 * 7/2015 Hildebrandt H01R 13/521
 D755,607 S * 5/2016 Baber D8/353
 D772,442 S * 11/2016 Lange D26/26
 9,509,080 B1 * 11/2016 Insalaco H01R 24/30
 D776,064 S * 1/2017 Insalaco H01R 31/06
 D13/156
 D806,915 S * 1/2018 Burke D26/26
 D813,212 S * 3/2018 Nangeroni D14/240
 D818,155 S * 5/2018 Trice D26/26
 D821,615 S * 6/2018 Trice D26/26
 D849,692 S * 5/2019 Marsden D13/156
 D858,274 S * 9/2019 Perella D9/432
 D861,930 S * 10/2019 Wu D26/26
 10,468,817 B1 * 11/2019 Lee H01R 13/5812
 D869,014 S * 12/2019 Wu D26/26

D870,326 S * 12/2019 Chen D26/26
 D872,912 S * 1/2020 Wu D26/26
 D873,448 S * 1/2020 Zhang D26/26
 D876,196 S * 2/2020 Baheti D8/71
 D876,679 S * 2/2020 Hou D26/26
 D878,197 S * 3/2020 Griffin D9/432
 D881,003 S * 4/2020 Hendricks D9/432
 D890,605 S * 7/2020 Nelson D9/423
 D894,436 S * 8/2020 Wu D26/26
 D897,567 S * 9/2020 Wu D26/26
 D899,247 S * 10/2020 Kilduff D9/432
 2002/0163796 A1 * 11/2002 Dickie H05B 33/00
 362/84
 2005/0020112 A1 * 1/2005 De Cell H01R 13/443
 439/135
 2006/0077684 A1 * 4/2006 Yuen F21S 8/035
 362/555
 2008/0013932 A1 * 1/2008 He A01M 1/2072
 392/390
 2016/0152375 A1 * 6/2016 Chen B65D 5/30
 229/150
 2017/0133829 A1 * 5/2017 Caporale H01B 3/443

OTHER PUBLICATIONS

amazon.com: Night Light, FURANDE Plug-in LED Night Light.
 Date uploaded Jun. 18, 2020 [site visited Nov. 23, 2020]. Retrieved
 from internet, <https://www.amazon.com/FURANDE-Adjustable-Brightness-Hallway-Stairway/dp/B08BFT6HNV/ref=sr_1_22?dchild=1&keywords=rectangular+night+light&qid=1606152455&sr=8-22> (Year: 2020).*

* cited by examiner

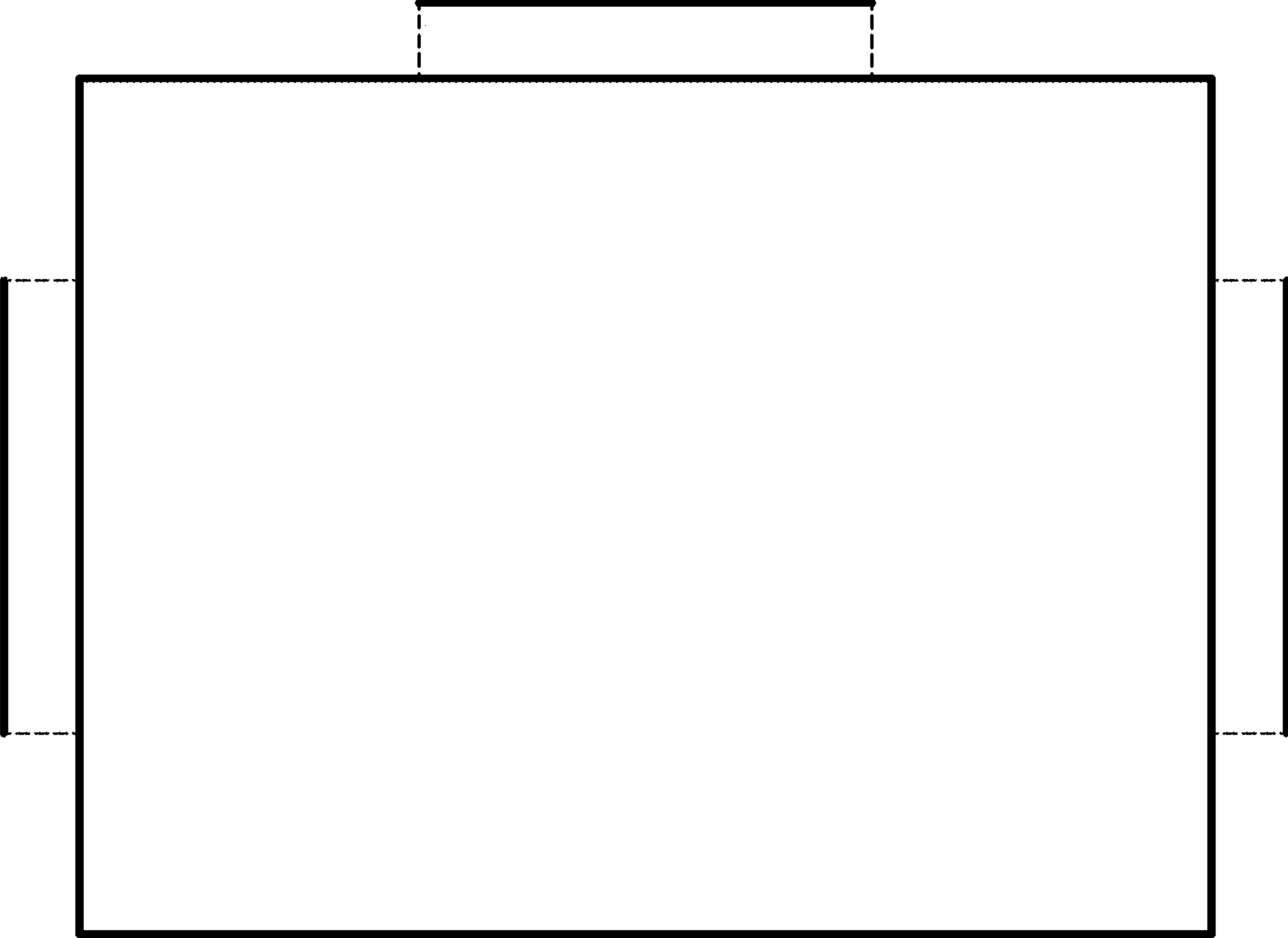


FIG. 1

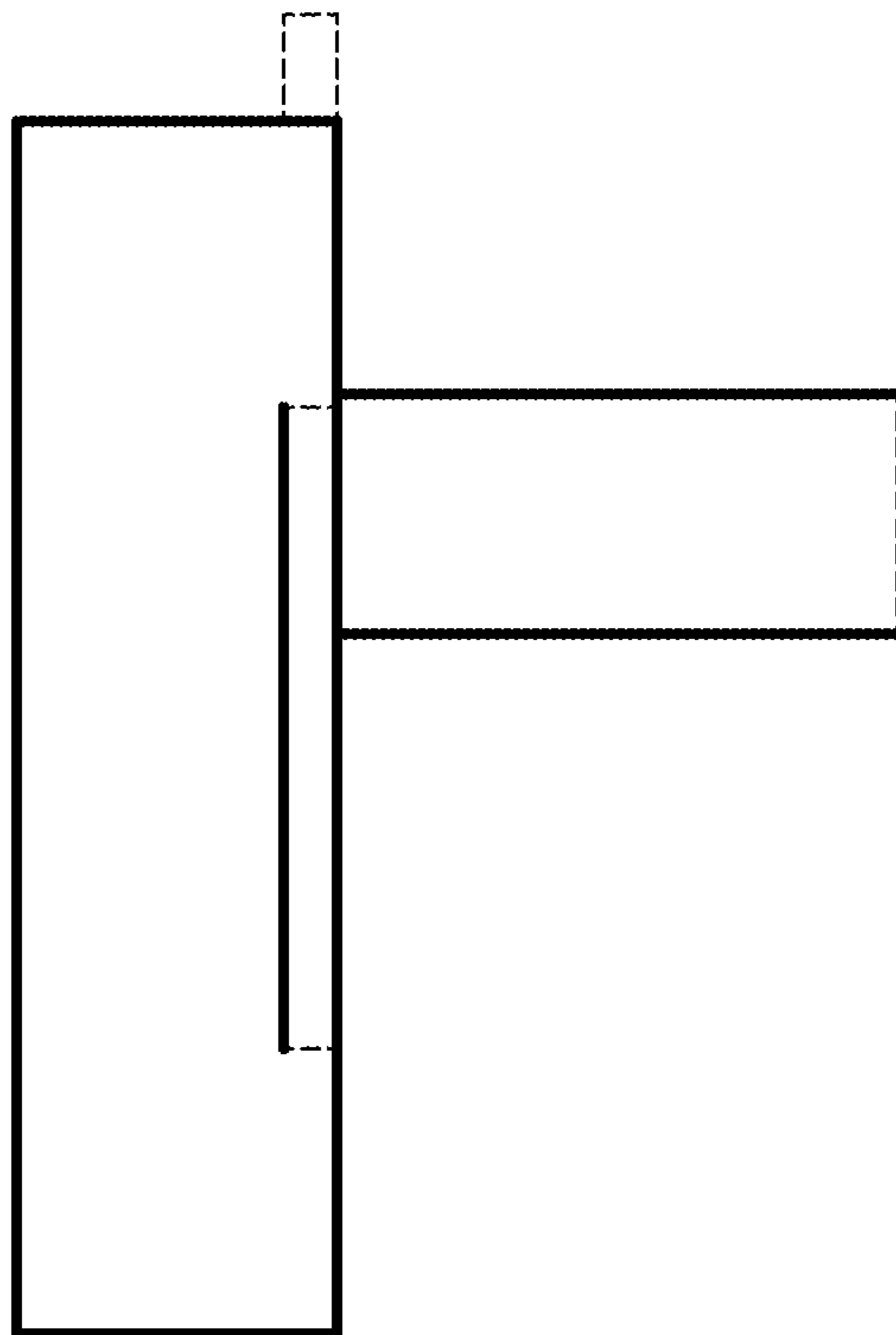


FIG. 2

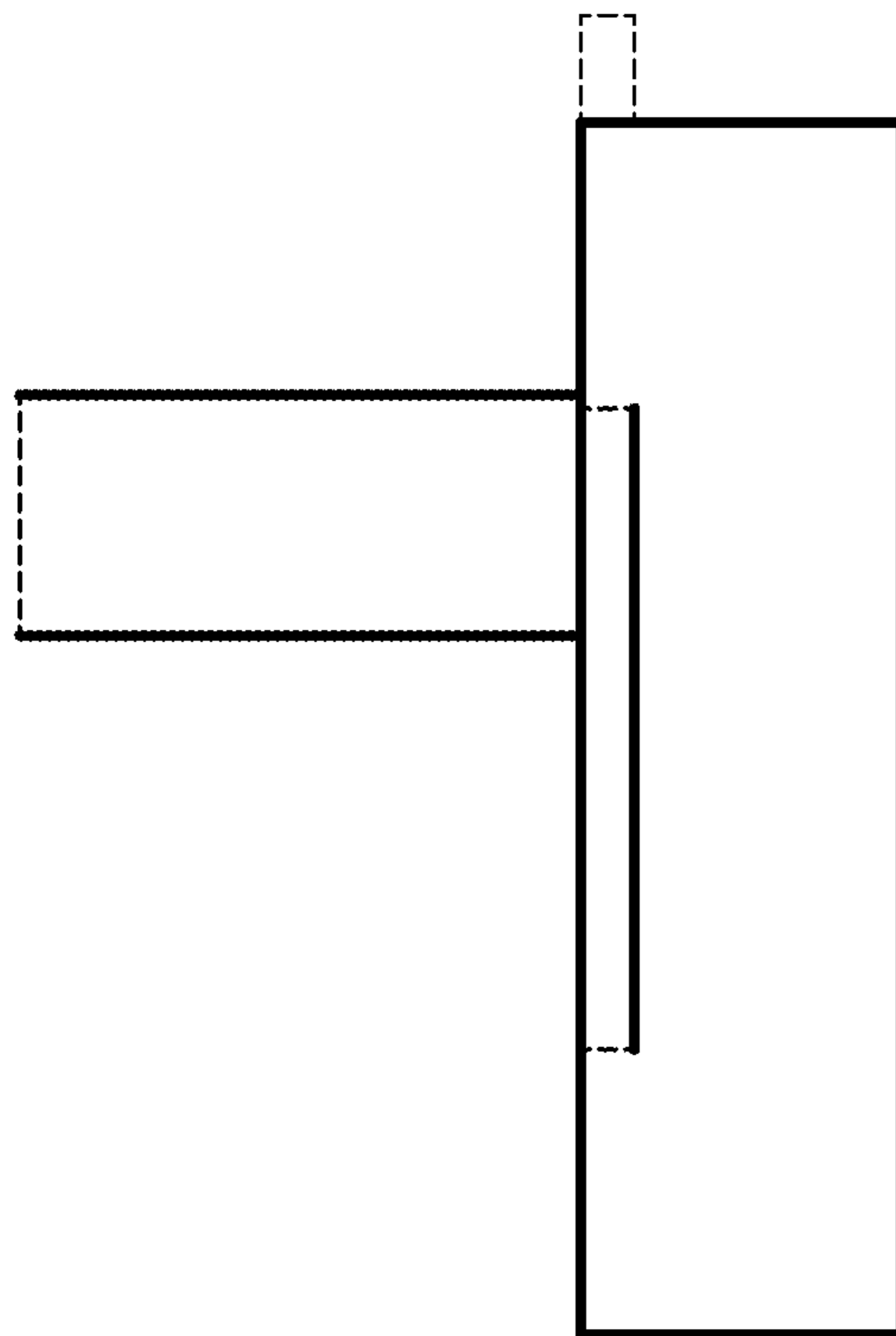


FIG. 3

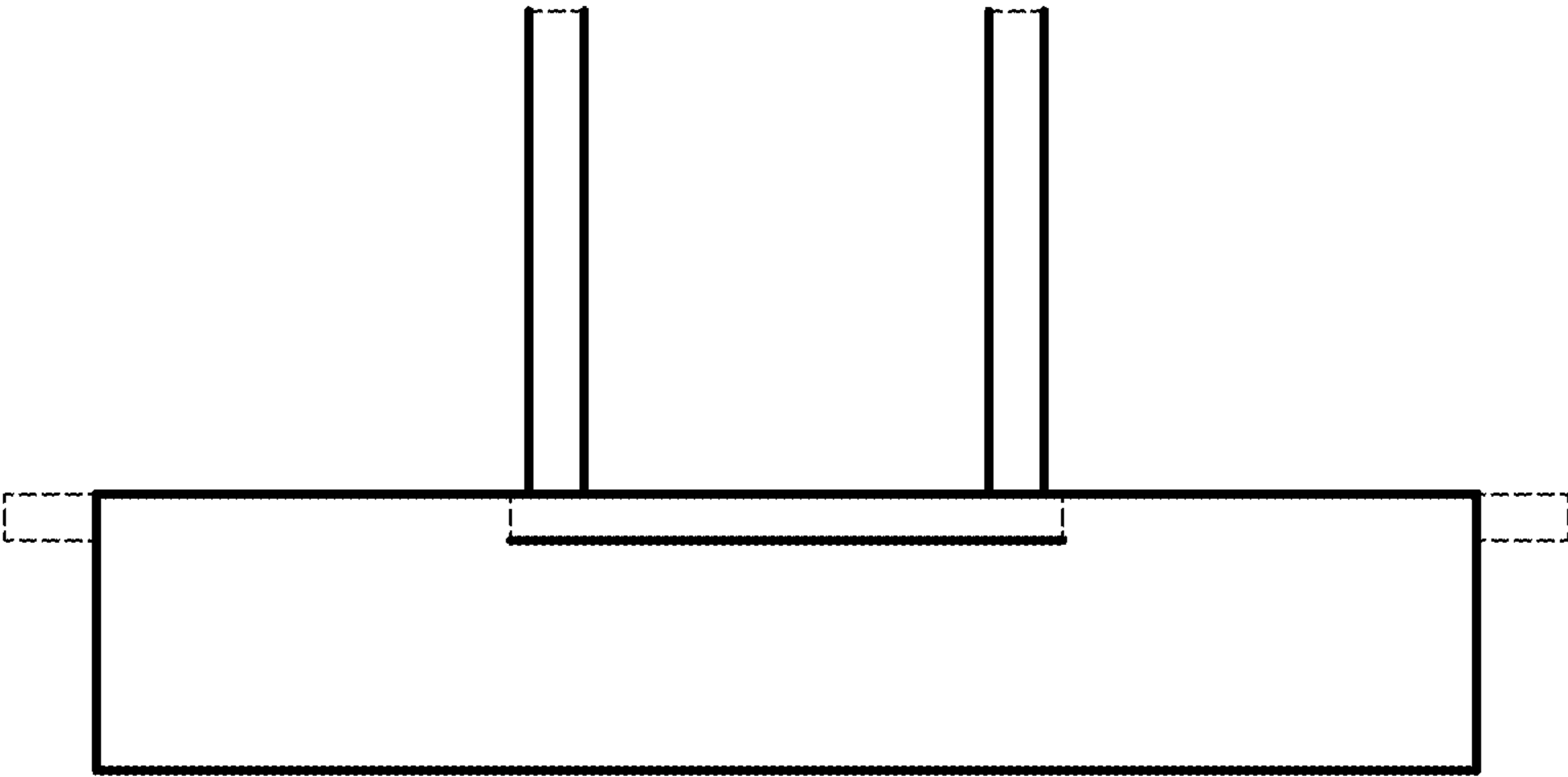


FIG. 4

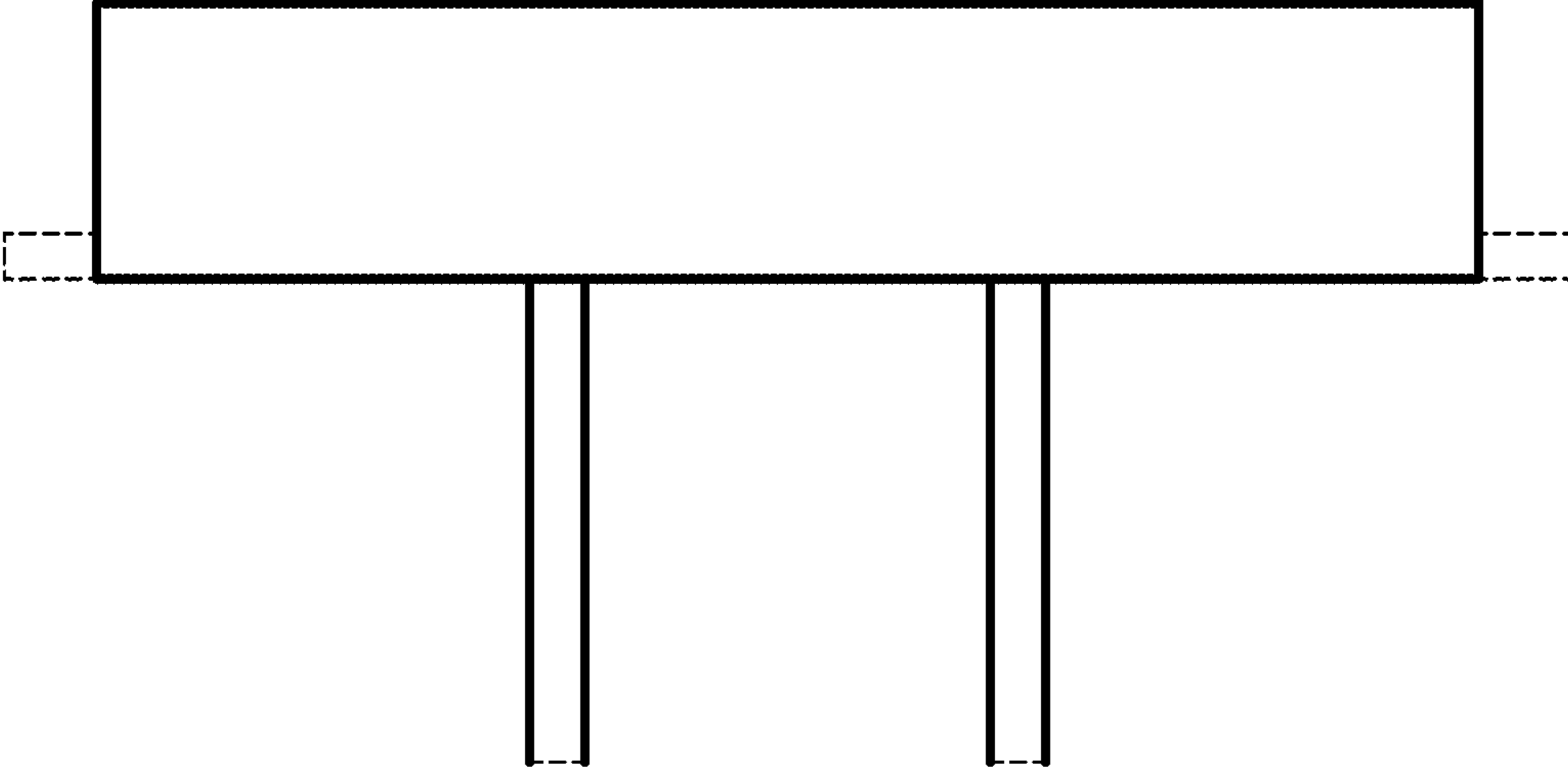


FIG. 5

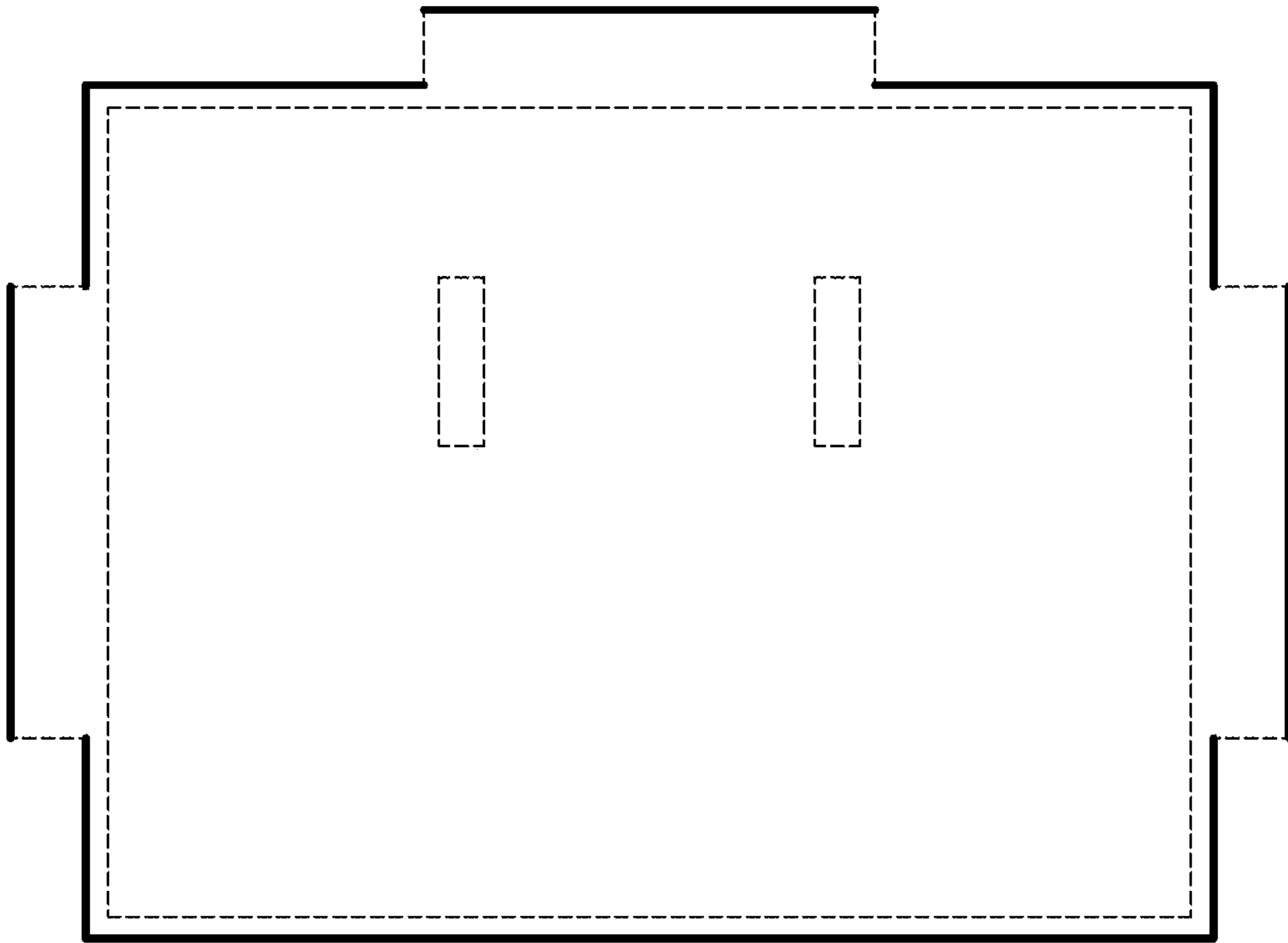


FIG. 6

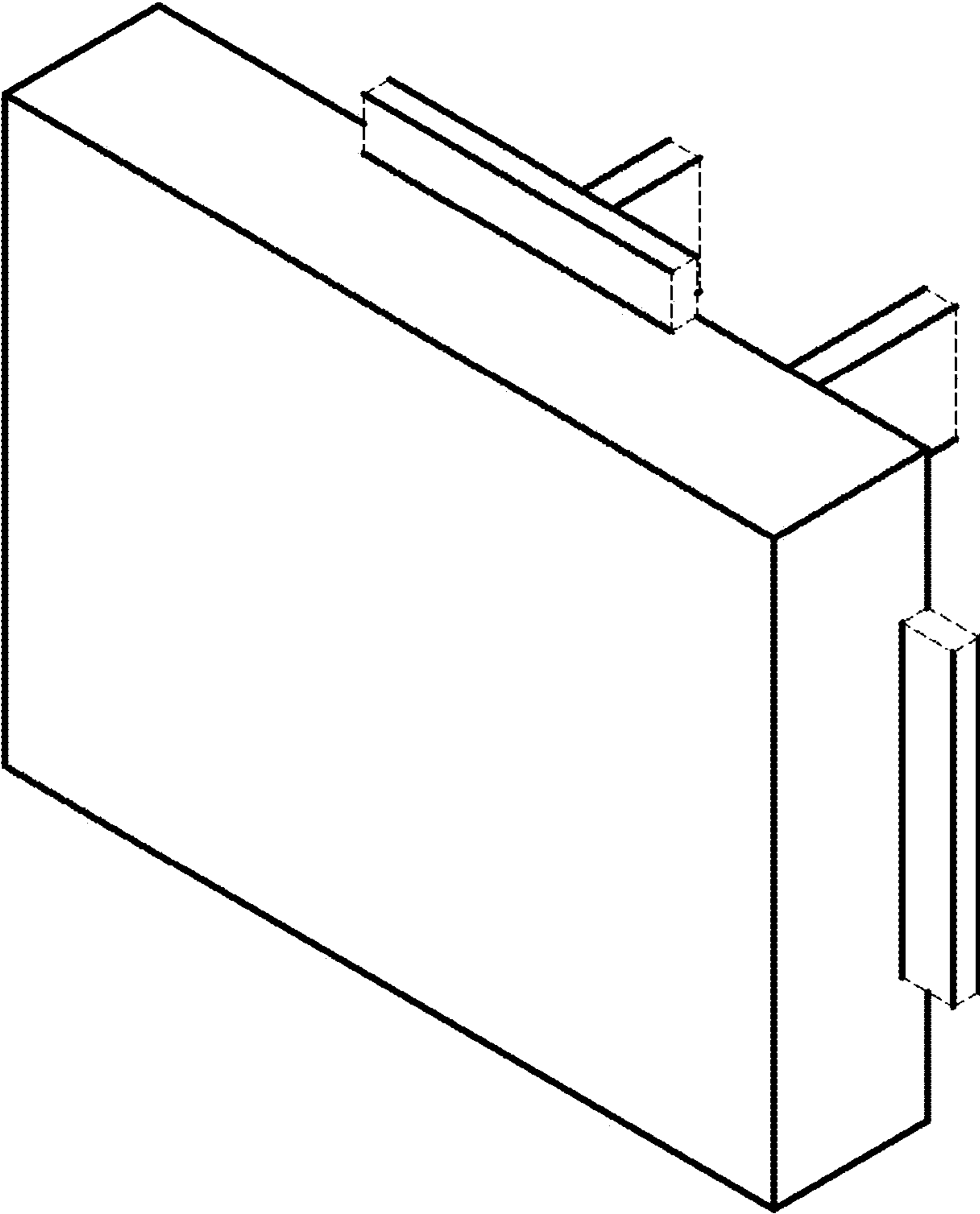


FIG. 7