



US00D925785S

(12) **United States Design Patent** (10) **Patent No.:** **US D925,785 S**
Baldwin et al. (45) **Date of Patent:** **** Jul. 20, 2021**

(54) **PLUG-IN NIGHT LIGHT**
(71) Applicants: **Jeffrey P. Baldwin**, Anthem, AZ (US);
John E. Klein, Chandler, AZ (US)
(72) Inventors: **Jeffrey P. Baldwin**, Anthem, AZ (US);
John E. Klein, Chandler, AZ (US)
(**) Term: **15 Years**

D336,240 S * 6/1993 Castaldo D9/414
D383,045 S * 9/1997 Turso D8/38
D392,400 S * 3/1998 Emmerling D26/26
5,778,611 A * 7/1998 Michel E04D 13/14
285/331
D421,762 S * 3/2000 Shirley D16/227
D423,698 S * 4/2000 Yuen D26/26
D482,484 S * 11/2003 Benghozi D26/85
6,641,283 B1 * 11/2003 Bohler F21V 21/08
362/238

(Continued)

(21) Appl. No.: **29/711,968**
(22) Filed: **Nov. 4, 2019**
(51) **LOC (13) Cl.** **26-05**
(52) **U.S. Cl.**
USPC **D26/26**
(58) **Field of Classification Search**
USPC D26/24, 26, 113, 118-120;
D23/366-367, 369; D21/398, 710;
D14/203.6, 509; D9/414, 529
CPC F21S 8/035; F21V 23/06; F21V 23/04;
F21V 23/0442; F21W 2121/00; H01R
2103/00; H01R 39/64; H01R 33/00
See application file for complete search history.

OTHER PUBLICATIONS

walmart.com: Amerelle Plug-In Neon Night Light. Undated online product page. Retrieved on Nov. 24, 2020 from <https://www.walmart.com/ip/Amerelle-Plug-In-Neon-Night-Light/39087039?wmlspartner=wlpa&selectedSellerId=2419&&adid=. . . > (Year: 2020).*

(Continued)

Primary Examiner — Holly E Thurman
(74) *Attorney, Agent, or Firm* — Booth Udall Fuller, PLC; Kenneth C. Booth

(56) **References Cited**

U.S. PATENT DOCUMENTS

D28,471 S * 4/1898 Newton D13/178
D151,571 S * 10/1948 Tillinghast D13/156
D222,262 S * 10/1971 Hartford D13/156
3,887,188 A * 6/1975 Beauchamp A63B 67/14
473/446
4,183,536 A * 1/1980 Platt A63B 67/14
473/570
4,344,116 A * 8/1982 Martin H01R 13/717
362/644
4,878,668 A * 11/1989 Nevoral A63B 67/14
473/588
D322,569 S * 12/1991 Breadmont D9/414
D323,369 S * 1/1992 De Masi, Jr. D21/710
D324,997 S * 3/1992 Jones D28/82
D336,144 S * 6/1993 Galati D26/26

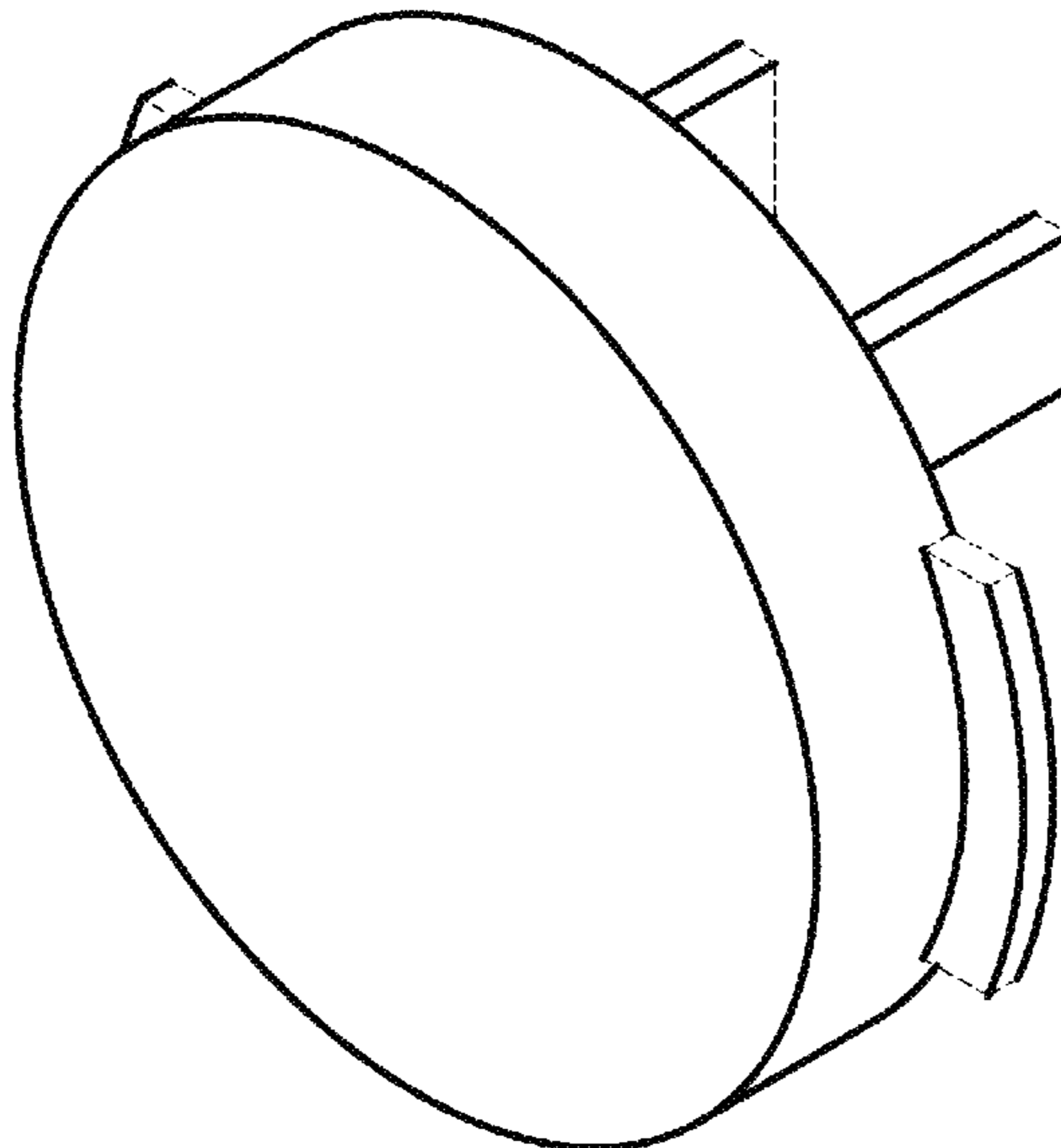
(57) **CLAIM**

We claim the ornamental design for a plug-in night light, as shown and described.

DESCRIPTION

FIG. 1 is a front view for a plug-in night light;
FIG. 2 is a right side view thereof;
FIG. 3 is a left side view thereof;
FIG. 4 is a top view thereof;
FIG. 5 is a bottom view thereof;
FIG. 6 is a back view thereof; and,
FIG. 7 is a front perspective view thereof.
The broken lines in the figures are for illustrative purposes or represent portions of the article which form no part of the claimed design.

1 Claim, 7 Drawing Sheets



(56)

References Cited

U.S. PATENT DOCUMENTS

6,674,003 B1 * 1/2004 Torres H02G 3/14
174/66
6,675,512 B1 * 1/2004 Shwartz G09F 7/00
2/195.1
6,709,126 B1 * 3/2004 Leen F21V 5/00
362/95
D488,948 S * 4/2004 Long D21/398
D506,128 S * 6/2005 Foi D9/715
D512,064 S * 11/2005 Li D14/403
7,025,473 B2 * 4/2006 Dokoupil H05B 45/37
362/640
D523,972 S * 6/2006 Chan D26/26
D544,618 S * 6/2007 Coushaine D26/37
D579,993 S * 11/2008 Fairchild D21/710
D581,288 S * 11/2008 Villalobos D9/548
7,621,833 B2 * 11/2009 Proulx A63B 67/14
473/588
D639,985 S * 6/2011 Stolte D26/26
D643,971 S * 8/2011 Yamamoto D26/138
D646,006 S * 9/2011 Stolte D26/26
8,093,497 B2 * 1/2012 White H02G 3/14
174/67
D664,840 S * 8/2012 Jones D9/423
D665,987 S * 8/2012 El D2/976
D666,538 S * 9/2012 Duffy D12/162
D688,986 S * 9/2013 Duffy D12/162
9,088,081 B2 * 7/2015 Hildebrandt H01R 13/521
D736,449 S * 8/2015 Getty D26/110
D755,021 S * 5/2016 Fox D7/673
D768,511 S * 10/2016 Kovacovich D9/780
D768,631 S * 10/2016 Epstein D14/388
D771,860 S * 11/2016 Weiss D26/110
D773,726 S * 12/2016 Sonneman D26/142

D777,367 S * 1/2017 Ma D26/104
9,553,437 B1 * 1/2017 Martin H01R 13/4536
D779,977 S * 2/2017 Jacob D10/50
D782,727 S * 3/2017 Weiss D26/110
D785,527 S * 5/2017 Nathan D12/193
D797,542 S * 9/2017 Block D8/310
D804,306 S * 12/2017 Simons D9/454
D810,970 S * 2/2018 Thompson D26/26
10,041,639 B1 * 8/2018 Thompson F21S 9/02
D860,816 S * 9/2019 Rathbun D9/780
D876,677 S * 2/2020 Chen D26/26
D878,639 S * 3/2020 Luo D26/24
2005/0020112 A1 * 1/2005 De Cell H01R 13/443
439/135
2007/0242485 A1 * 10/2007 Chien H04N 5/2252
362/643
2009/0008123 A1 * 1/2009 White H01R 13/447
174/67
2017/0133829 A1 * 5/2017 Caporale H01B 3/443
2020/0120310 A1 * 4/2020 Chien F21S 10/002

OTHER PUBLICATIONS

amazon.com: Westek NL-Orbs-2 Nite & Specialty Lites. Date uploaded Apr. 26, 2018 [site visited Nov. 24, 2020]. Retrieved from internet: <https://www.amazon.com/Westek-NL-Orbs-2-Specialty-Lites-White/dp/B07CP745WB/ref=asc_df_B07CP745WB/?tag=hyprod-20&linkCode=df0&hvadid=309763890417&hvpos=&hvnetw=. . .> (Year: 2018).*

gearbest.com: Yeelight YLYD10YL Round Plug Night Light. Undated online product page. Retrieved on Nov. 24, 2020 from <https://www.gearbest.com/atmosphere---night-lights/pp_009162847000.html> (Year: 2020).*

* cited by examiner

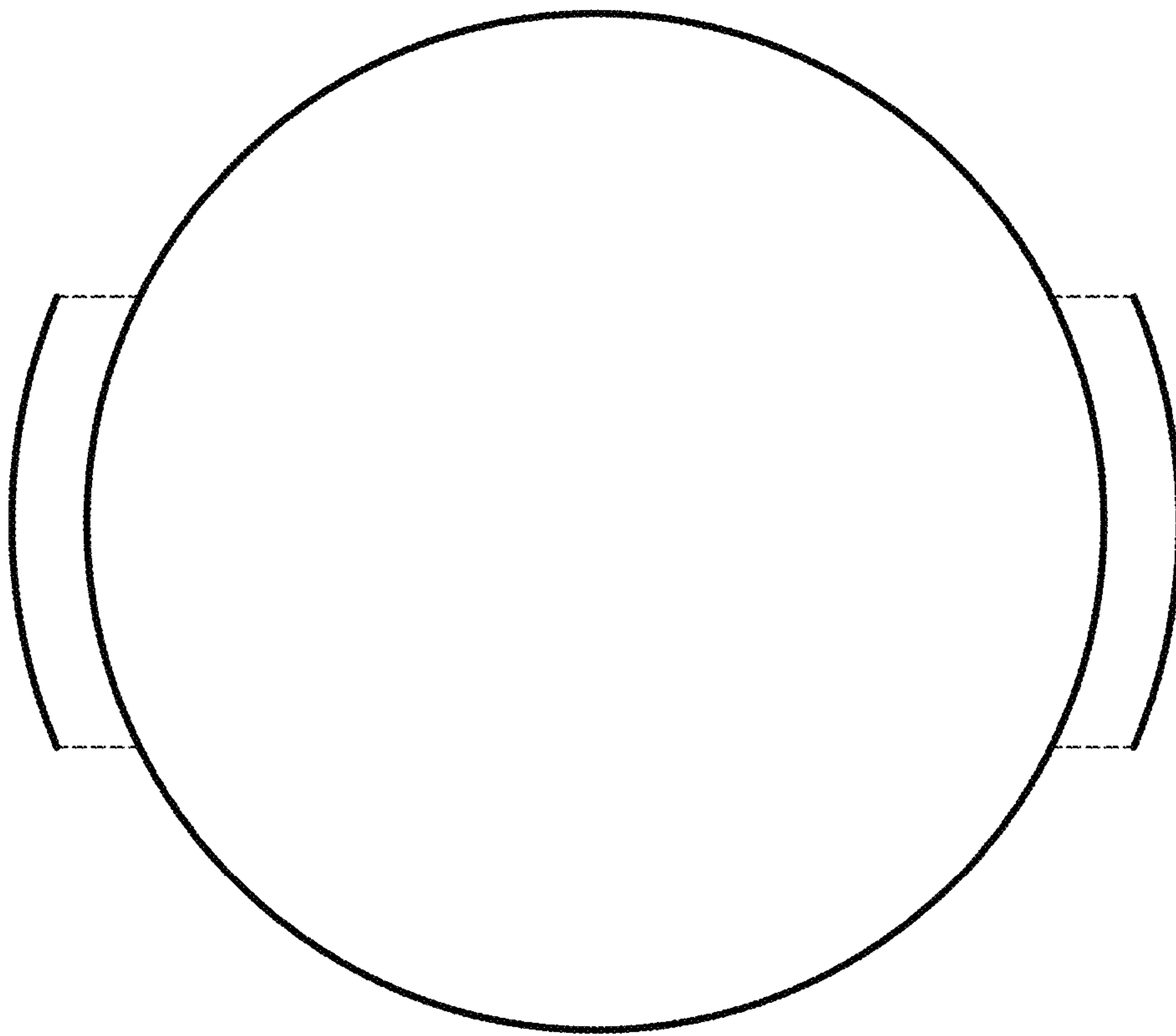


FIG. 1

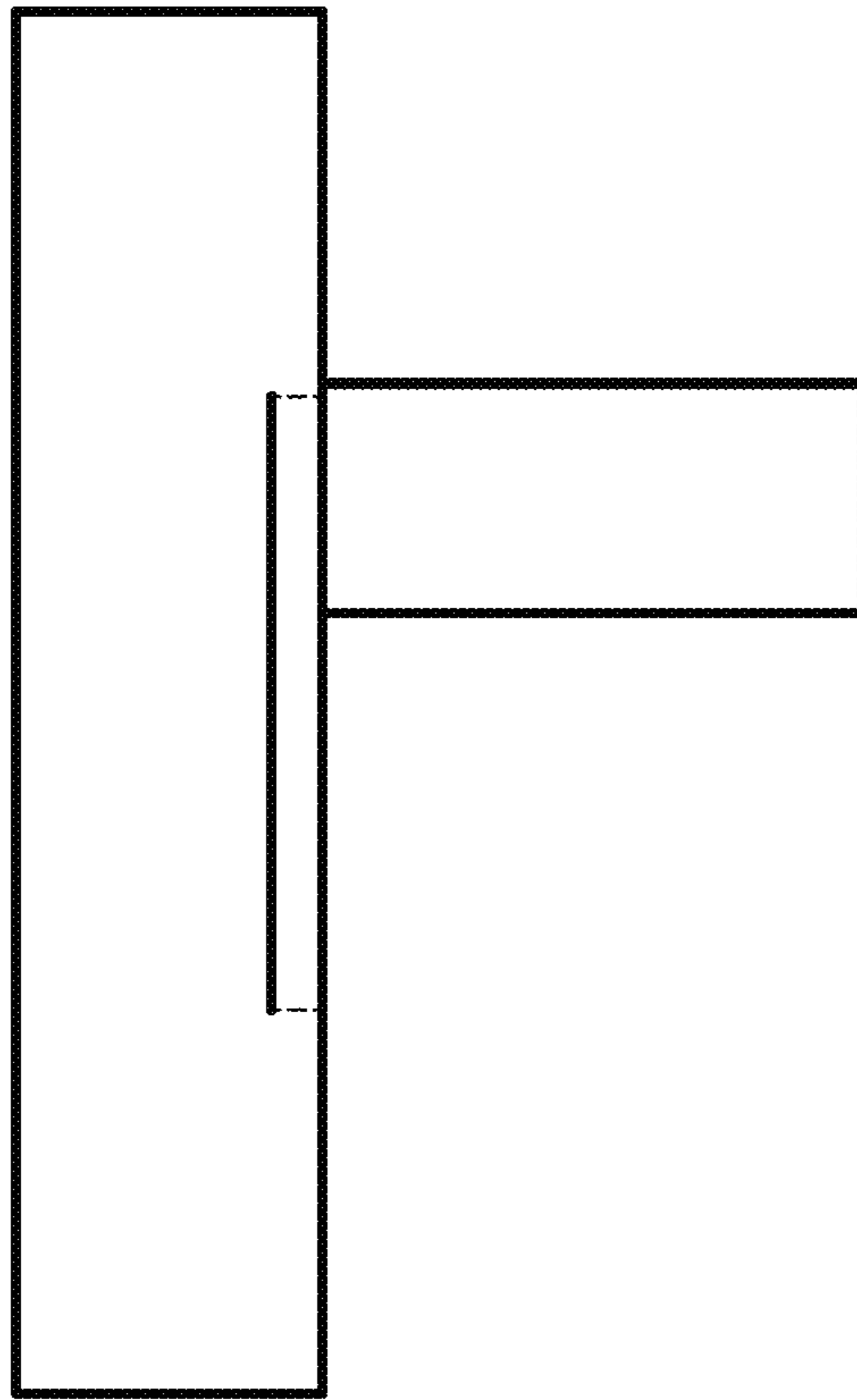


FIG. 2

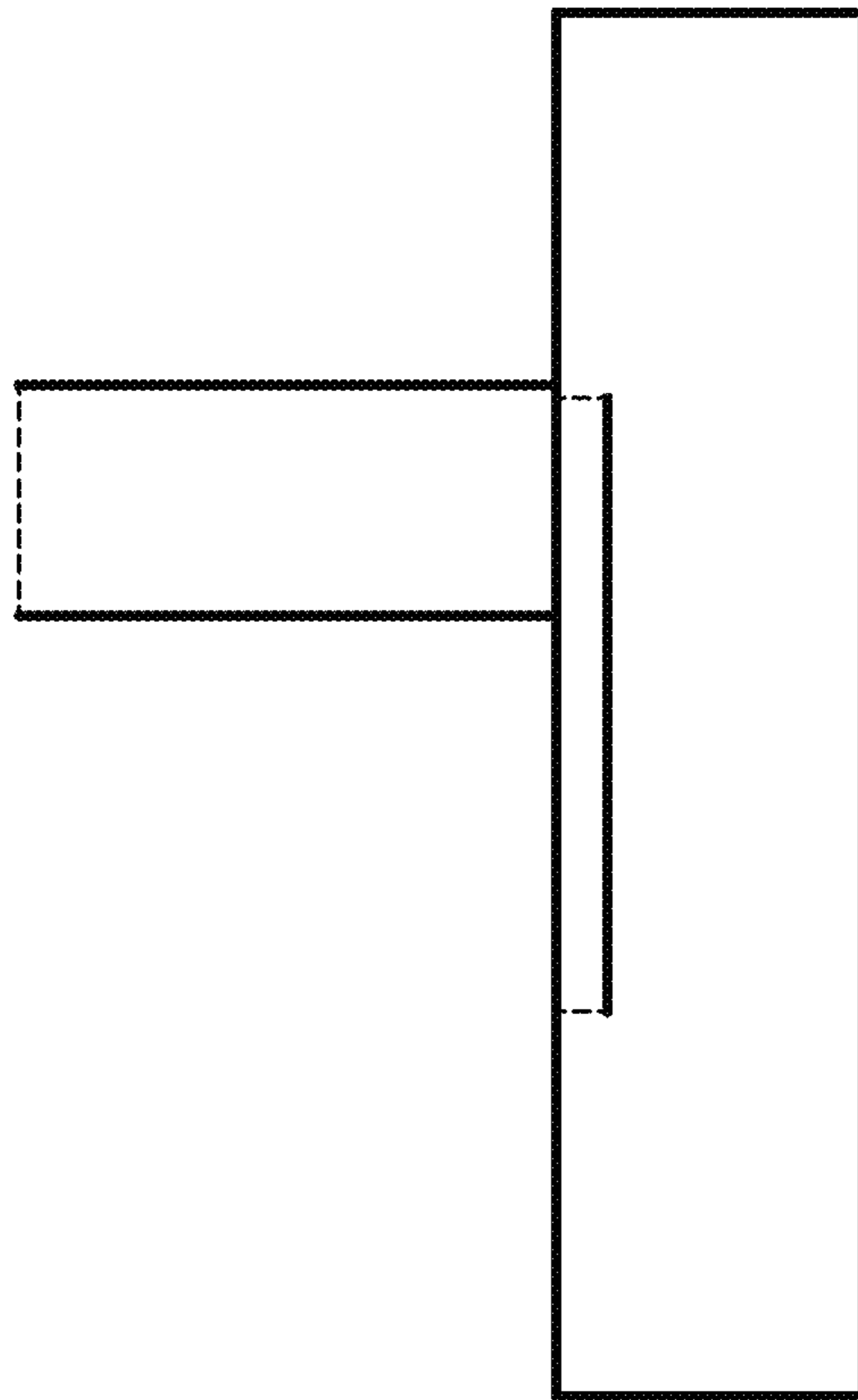


FIG. 3

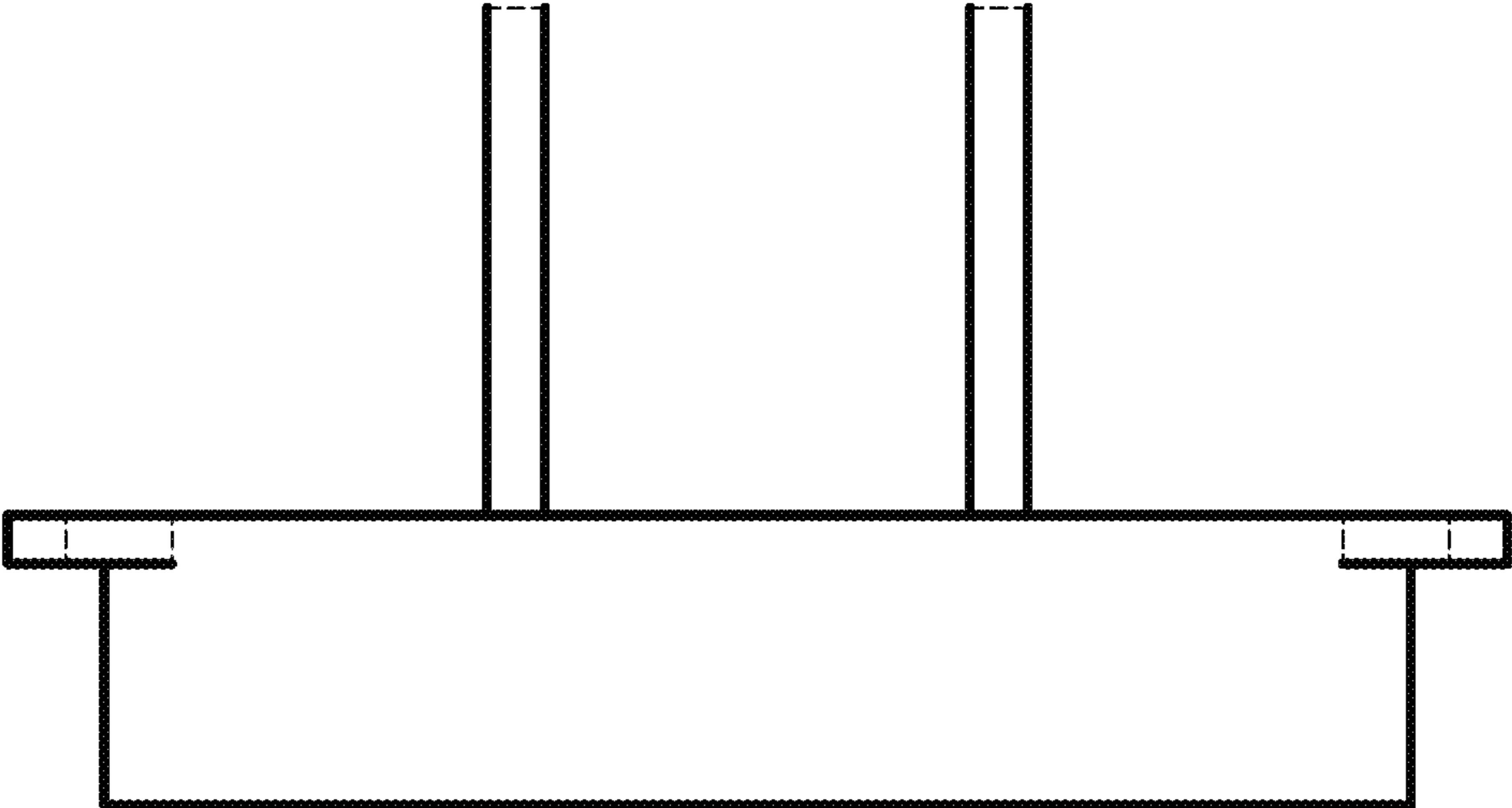


FIG. 4

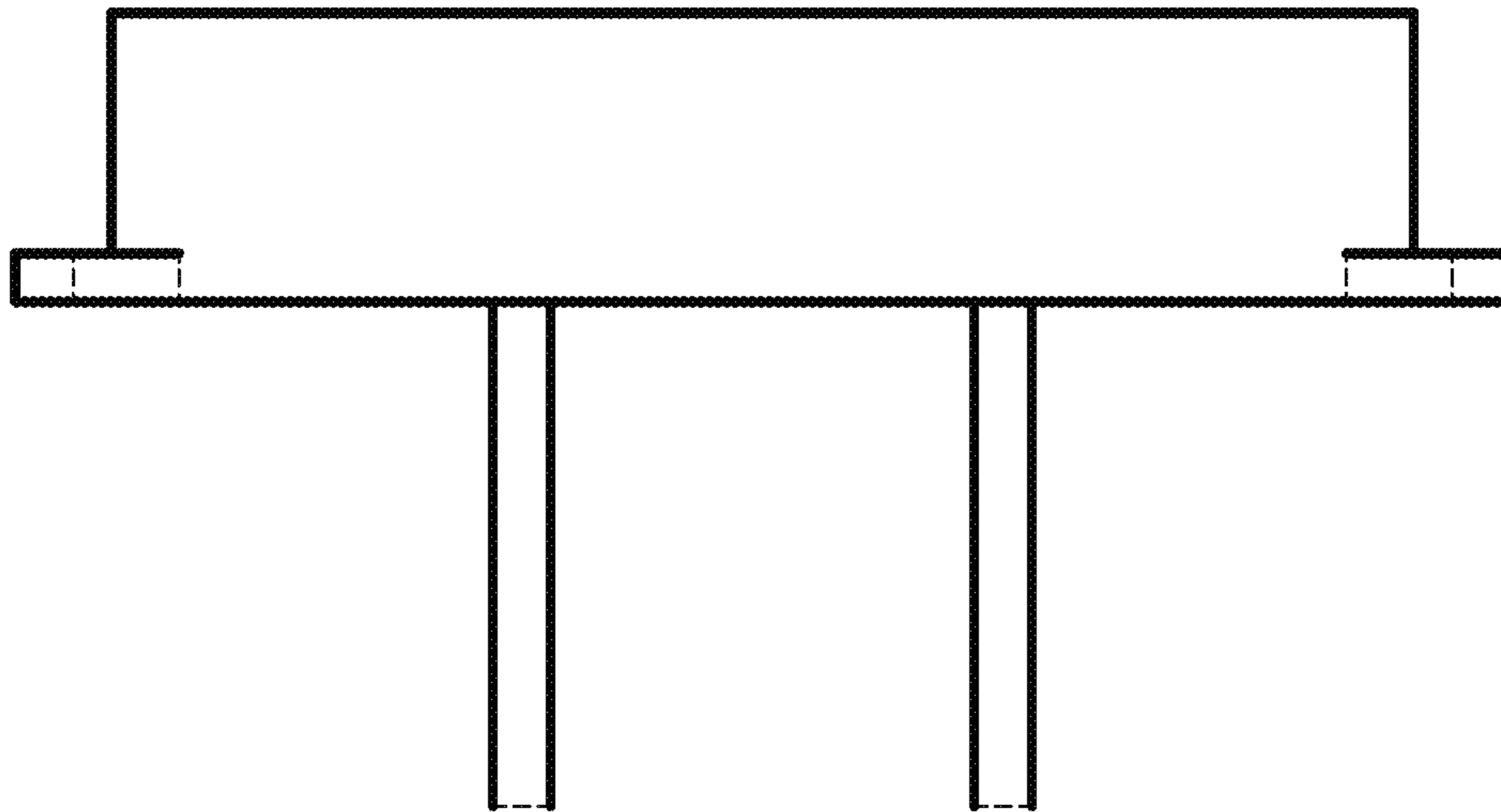


FIG. 5

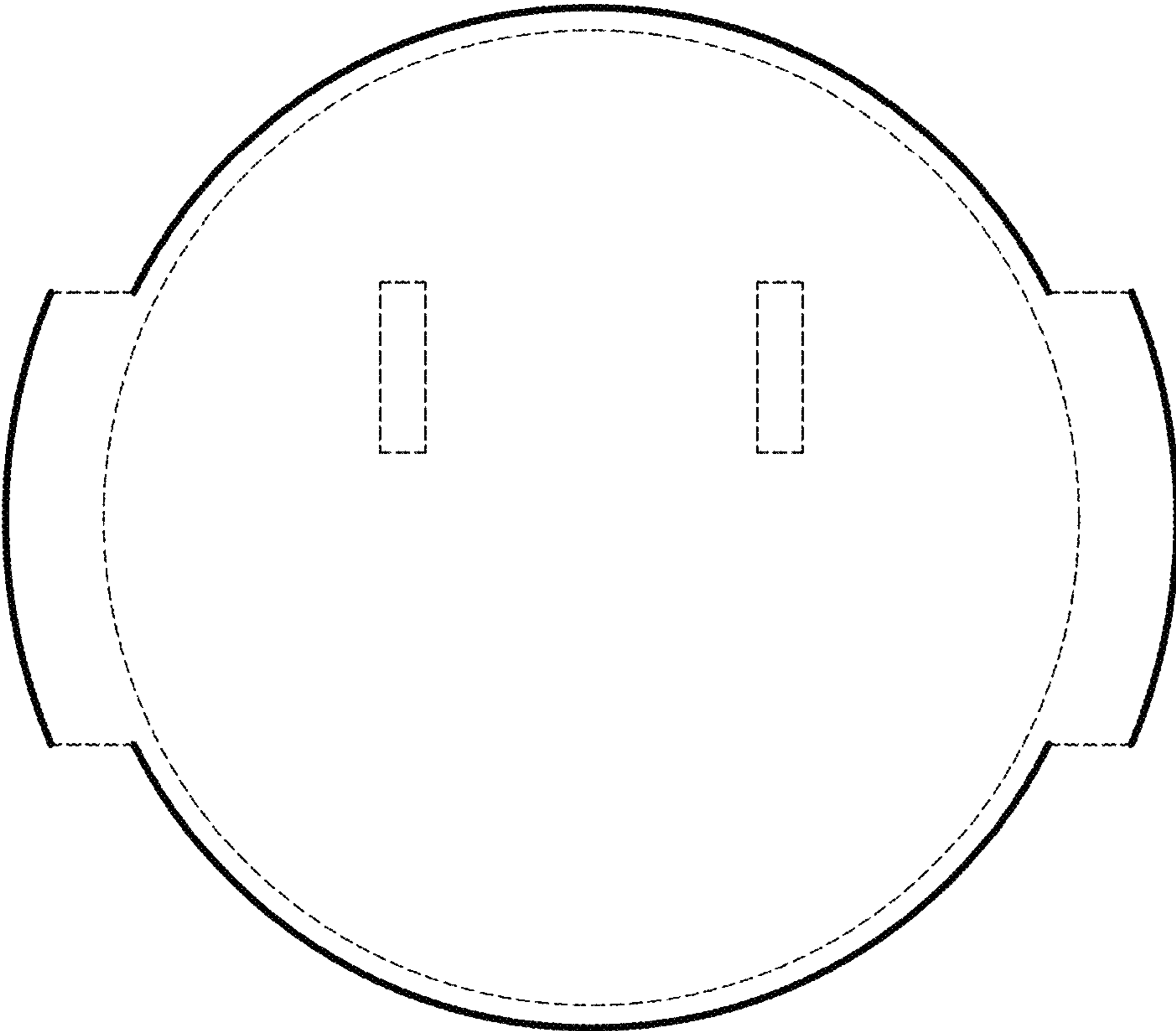


FIG. 6

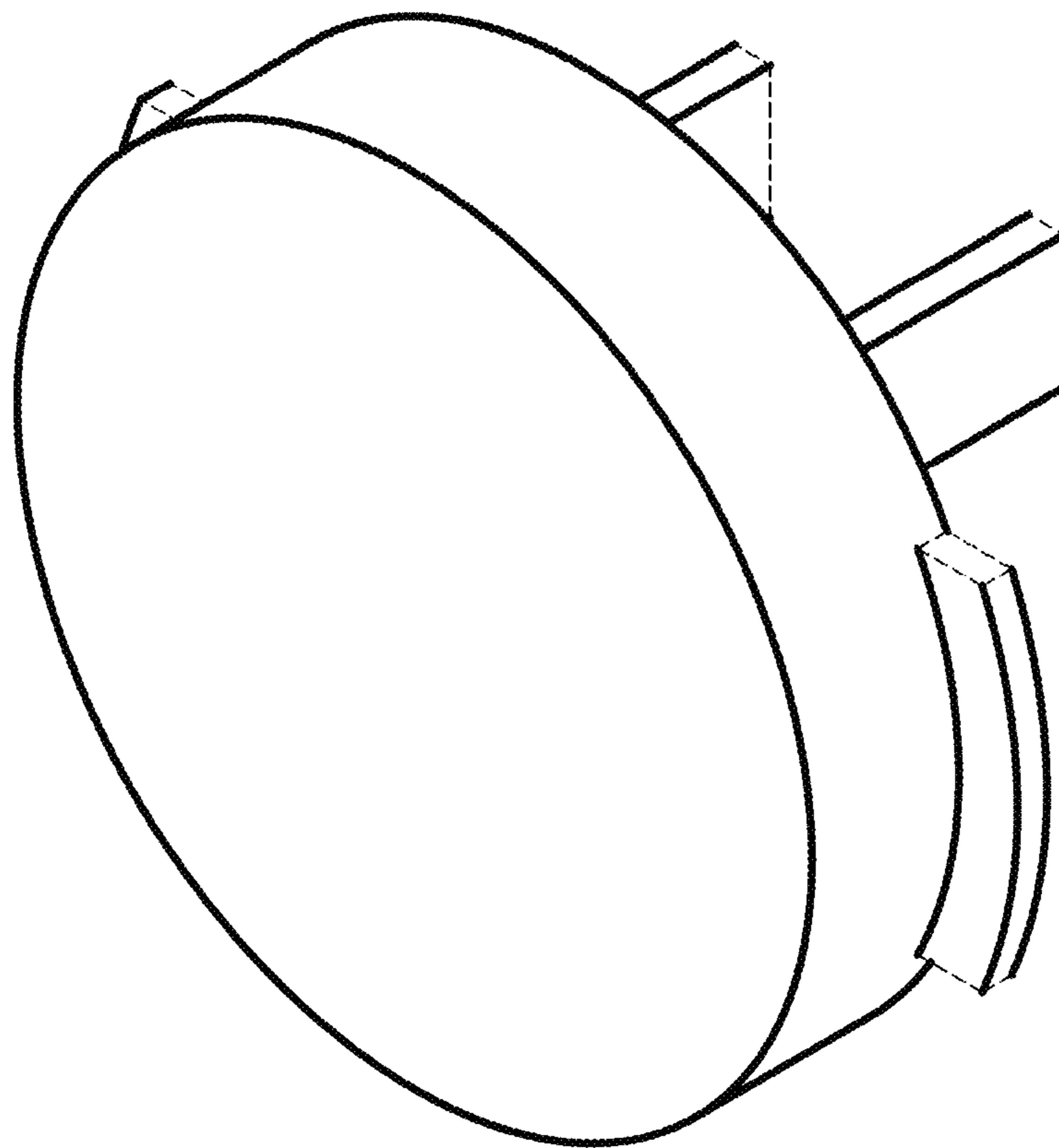


FIG. 7