



US00D925784S

(12) **United States Design Patent** (10) **Patent No.:** **US D925,784 S**  
**Baldwin et al.** (45) **Date of Patent:** **\*\* \*Jul. 20, 2021**

(54) **PLUG-IN NIGHT LIGHT** 5,947,786 A \* 9/1999 Glick ..... A63H 33/04  
446/85  
(71) Applicants: **Jeffrey P. Baldwin**, Anthem, AZ (US); D419,259 S \* 1/2000 Johnson ..... D27/175  
**John E. Klein**, Chandler, AZ (US) D435,124 S \* 12/2000 Yuen ..... D26/26  
6,674,003 B1 \* 1/2004 Torres ..... H02G 3/14  
174/66  
(72) Inventors: **Jeffrey P. Baldwin**, Anthem, AZ (US); 6,675,512 B1 \* 1/2004 Shwartz ..... G09F 7/00  
**John E. Klein**, Chandler, AZ (US) 2/195.1  
(\* ) Notice: This patent is subject to a terminal dis- 7,025,473 B2 \* 4/2006 Dokoupil ..... H05B 45/37  
claimer. D524,461 S \* 7/2006 Molenaar ..... D26/26  
362/640  
(\*\*) Term: **15 Years** (Continued)

(21) Appl. No.: **29/711,967**  
(22) Filed: **Nov. 4, 2019**  
(51) **LOC (13) Cl.** ..... **26-05**  
(52) **U.S. Cl.**  
USPC ..... **D26/26**  
(58) **Field of Classification Search**  
USPC ..... D26/24, 26, 113, 118-120;  
D23/366-367, 369; D9/414, 432  
CPC ..... F21S 8/035; F21V 23/06; F21V 23/04;  
F21V 23/0442; F21W 2121/00; H01R  
2103/00; H01R 39/64; H01R 33/00  
See application file for complete search history.

(56) **References Cited**  
U.S. PATENT DOCUMENTS  
D151,571 S \* 10/1948 Tillinghast ..... D13/156  
D346,361 S \* 4/1994 Richey ..... D13/156  
D352,564 S \* 11/1994 Marischen ..... D26/26  
5,375,728 A \* 12/1994 West ..... H01R 13/443  
174/488  
D376,214 S \* 12/1996 Pinchuk ..... D26/26  
D376,436 S \* 12/1996 Emmerling ..... D26/26  
D377,535 S \* 1/1997 Shulman ..... D26/26  
5,662,408 A \* 9/1997 Marischen ..... F21S 8/035  
362/253  
D392,756 S \* 3/1998 Hanig ..... D26/26  
D394,000 S \* 5/1998 Rowe ..... D9/414  
D403,442 S \* 12/1998 Joss ..... D26/26  
D405,007 S \* 2/1999 Naas, Sr. .... D27/189

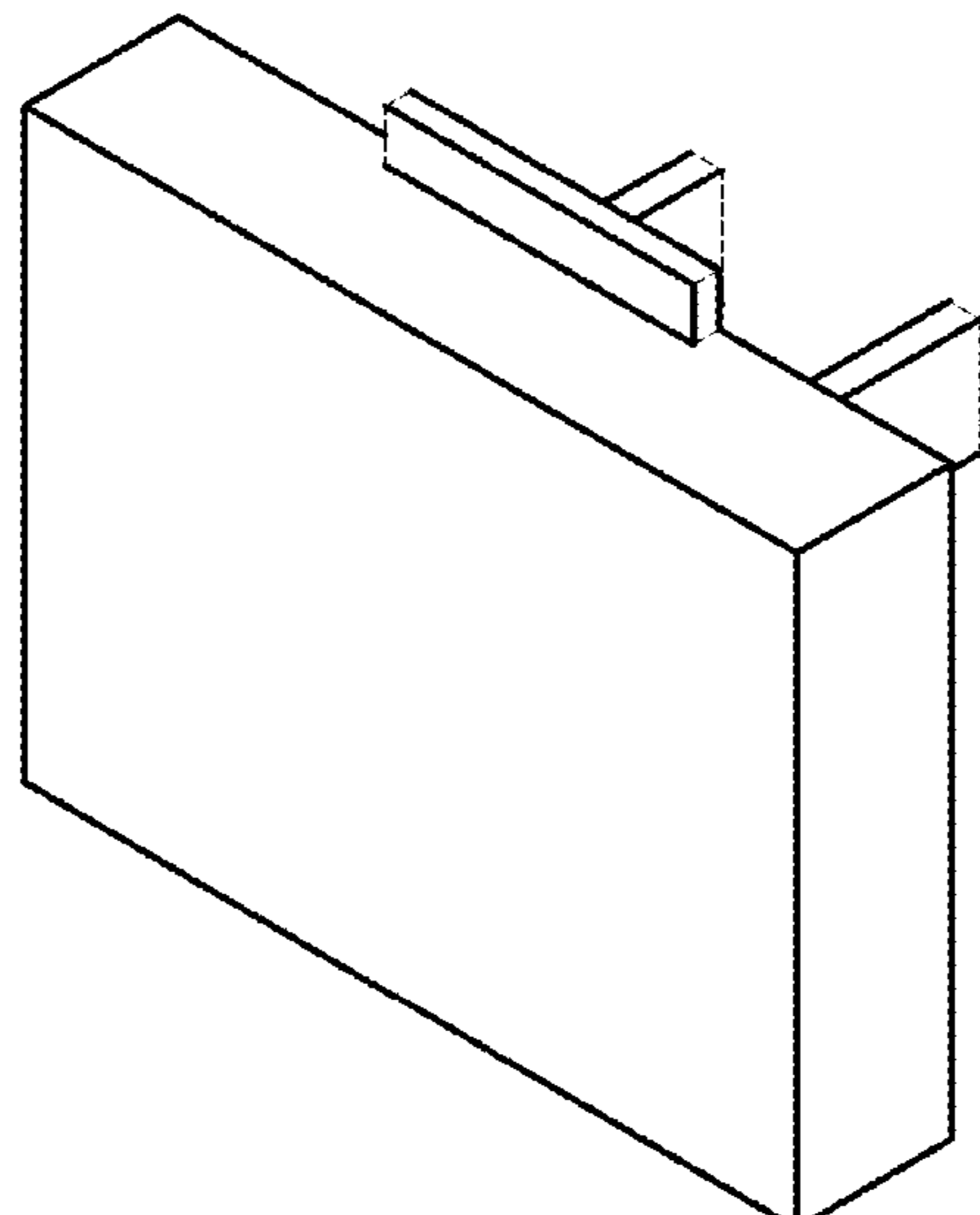
OTHER PUBLICATIONS  
conservationmart.com: LimeLite Night Light 1018 Rectangle. Undated  
online product page. Retrieved on Nov. 23, 2020 from <https://  
www.conservationmart.com/p-418-limelite-night-light-1018-rectangle.  
aspx> (Year: 2020).\*  
(Continued)

*Primary Examiner* — Holly E Thurman  
(74) *Attorney, Agent, or Firm* — Booth Udall Fuller,  
PLC; Kenneth C. Booth

(57) **CLAIM**  
We claim the ornamental design for a plug-in night light, as  
shown and described.

**DESCRIPTION**  
FIG. 1 is a front view for a plug-in night light;  
FIG. 2 is a right side view thereof;  
FIG. 3 is a left side view thereof;  
FIG. 4 is a top view thereof;  
FIG. 5 is a bottom view thereof;  
FIG. 6 is a back view thereof; and,  
FIG. 7 is a front perspective view thereof.  
The broken lines in the figures are for illustrative purposes  
or represent portions of the article which form no part of the  
claimed design.

**1 Claim, 7 Drawing Sheets**



(56)

References Cited

U.S. PATENT DOCUMENTS

D526,422 S \* 8/2006 Yuen ..... D26/26  
 7,652,210 B2 \* 1/2010 White ..... H01R 13/447  
 174/67  
 D618,833 S \* 6/2010 Wei ..... D26/26  
 D633,237 S \* 2/2011 Wang ..... D26/26  
 D634,055 S \* 3/2011 Hokazono ..... D26/89  
 D639,984 S \* 6/2011 Stolte ..... D26/26  
 D641,098 S \* 7/2011 Wildner ..... D26/89  
 D645,175 S \* 9/2011 Stolte ..... D26/26  
 8,093,497 B2 \* 1/2012 White ..... H02G 3/14  
 174/67  
 8,324,500 B2 \* 12/2012 Belyea ..... H01R 13/443  
 174/66  
 D675,908 S \* 2/2013 Neuhaus ..... D9/414  
 D687,706 S \* 8/2013 Akana ..... D9/432  
 9,088,081 B2 \* 7/2015 Hildebrandt ..... H01R 13/521  
 D755,607 S \* 5/2016 Baber ..... D8/353  
 D772,442 S \* 11/2016 Lange ..... D26/26  
 9,509,080 B1 \* 11/2016 Insalaco ..... H01R 24/30  
 D776,064 S \* 1/2017 Insalaco ..... H01R 31/06  
 D13/156  
 D806,915 S \* 1/2018 Burke ..... D26/26  
 D813,212 S \* 3/2018 Nangeroni ..... D14/240  
 D818,155 S \* 5/2018 Trice ..... D26/26  
 D821,615 S \* 6/2018 Trice ..... D26/26  
 D849,692 S \* 5/2019 Marsden ..... D13/156  
 D858,274 S \* 9/2019 Perella ..... D9/432  
 D861,930 S \* 10/2019 Wu ..... D26/26  
 10,468,817 B1 \* 11/2019 Lee ..... H01R 13/5812  
 D869,014 S \* 12/2019 Wu ..... D26/26

D870,326 S \* 12/2019 Chen ..... D26/26  
 D872,912 S \* 1/2020 Wu ..... D26/26  
 D873,448 S \* 1/2020 Zhang ..... D26/26  
 D876,196 S \* 2/2020 Baheti ..... D8/71  
 D876,679 S \* 2/2020 Hou ..... D26/26  
 D878,197 S \* 3/2020 Griffin ..... D9/432  
 D881,003 S \* 4/2020 Hendricks ..... D9/432  
 D890,605 S \* 7/2020 Nelson ..... D9/423  
 D894,436 S \* 8/2020 Wu ..... D26/26  
 D897,567 S \* 9/2020 Wu ..... D26/26  
 D899,247 S \* 10/2020 Kilduff ..... D9/432  
 2002/0163796 A1 \* 11/2002 Dickie ..... H05B 33/00  
 362/84  
 2005/0020112 A1 \* 1/2005 De Cell ..... H01R 13/443  
 439/135  
 2006/0077684 A1 \* 4/2006 Yuen ..... F21S 8/035  
 362/555  
 2008/0013932 A1 \* 1/2008 He ..... A01M 1/2072  
 392/390  
 2016/0152375 A1 \* 6/2016 Chen ..... B65D 5/30  
 229/150  
 2017/0133829 A1 \* 5/2017 Caporale ..... H01B 3/443

OTHER PUBLICATIONS

amazon.com: Night Light, FURANDE Plug-in LED Night Light.  
 Date uploaded Jun. 18, 2020 [site visited Nov. 23, 2020], Retrieved  
 from internet, <[https://www.amazon.com/FURANDE-Adjustable-Brightness-Hallway-Stairway/dp/B08BFT6HNV/ref=sr\\_1\\_22?dchild=1&keywords=rectangular+night+light&qid=1606152455&sr=8-22](https://www.amazon.com/FURANDE-Adjustable-Brightness-Hallway-Stairway/dp/B08BFT6HNV/ref=sr_1_22?dchild=1&keywords=rectangular+night+light&qid=1606152455&sr=8-22)> (Year: 2020).\*

\* cited by examiner

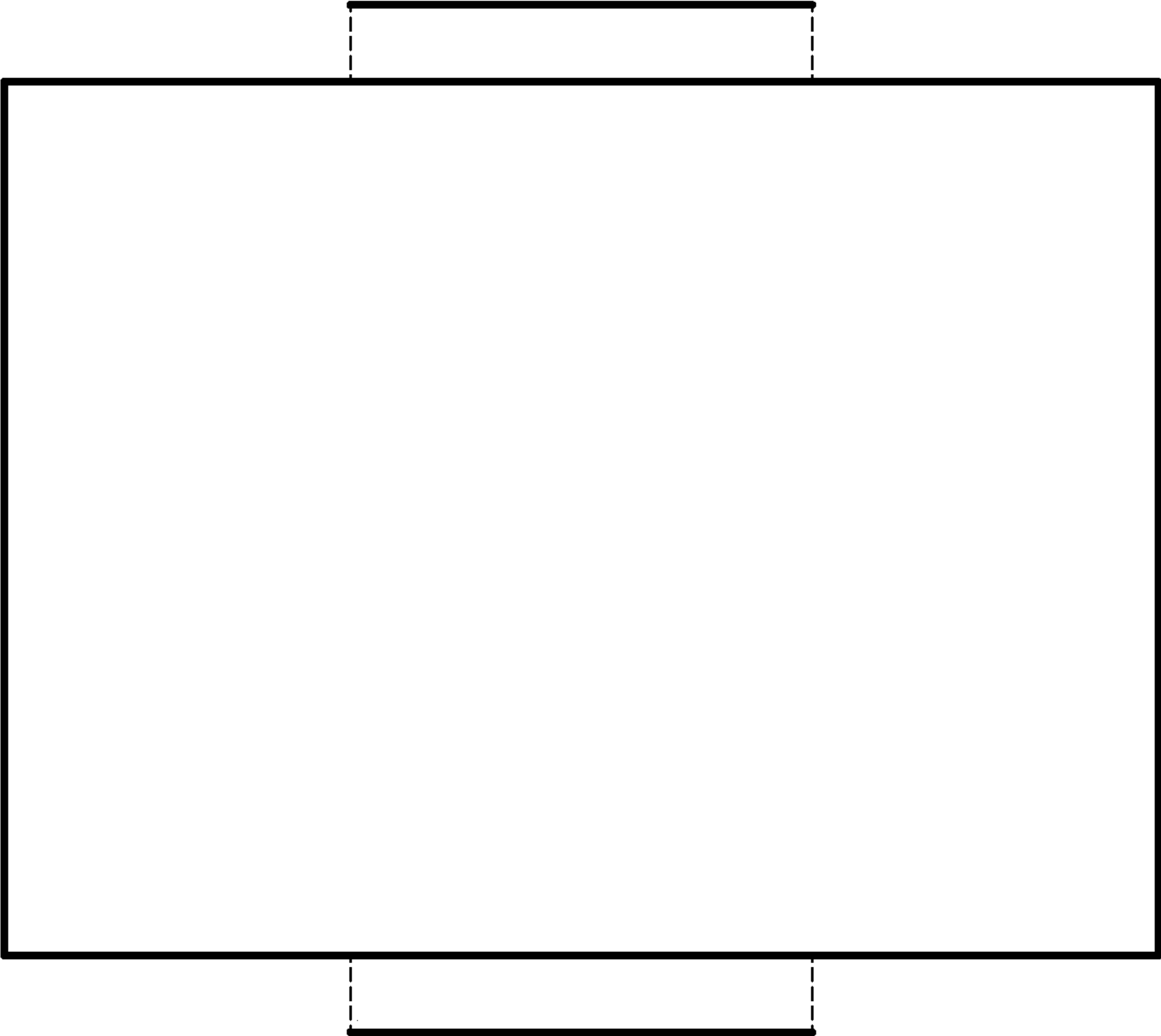


FIG. 1

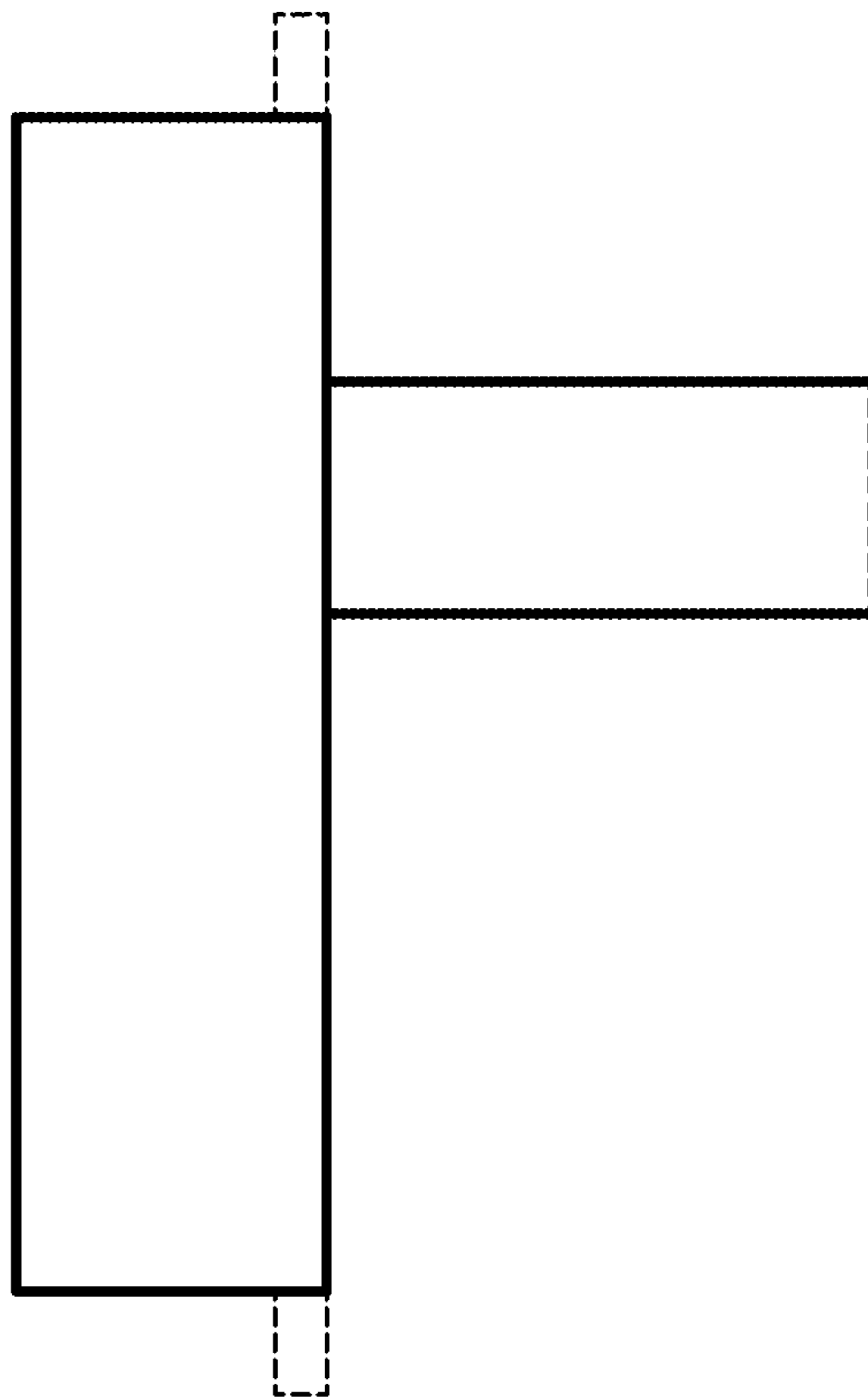


FIG. 2

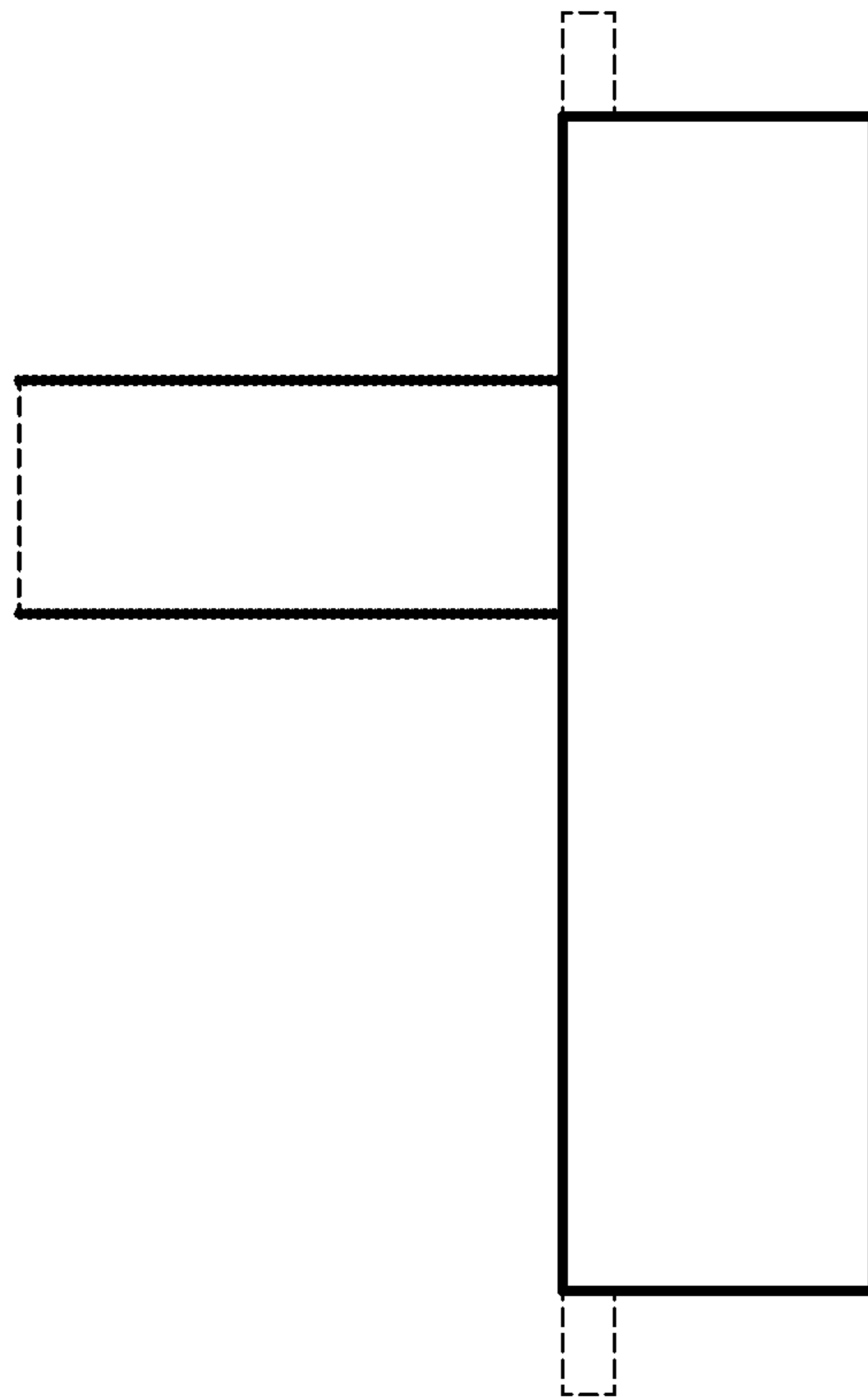


FIG. 3

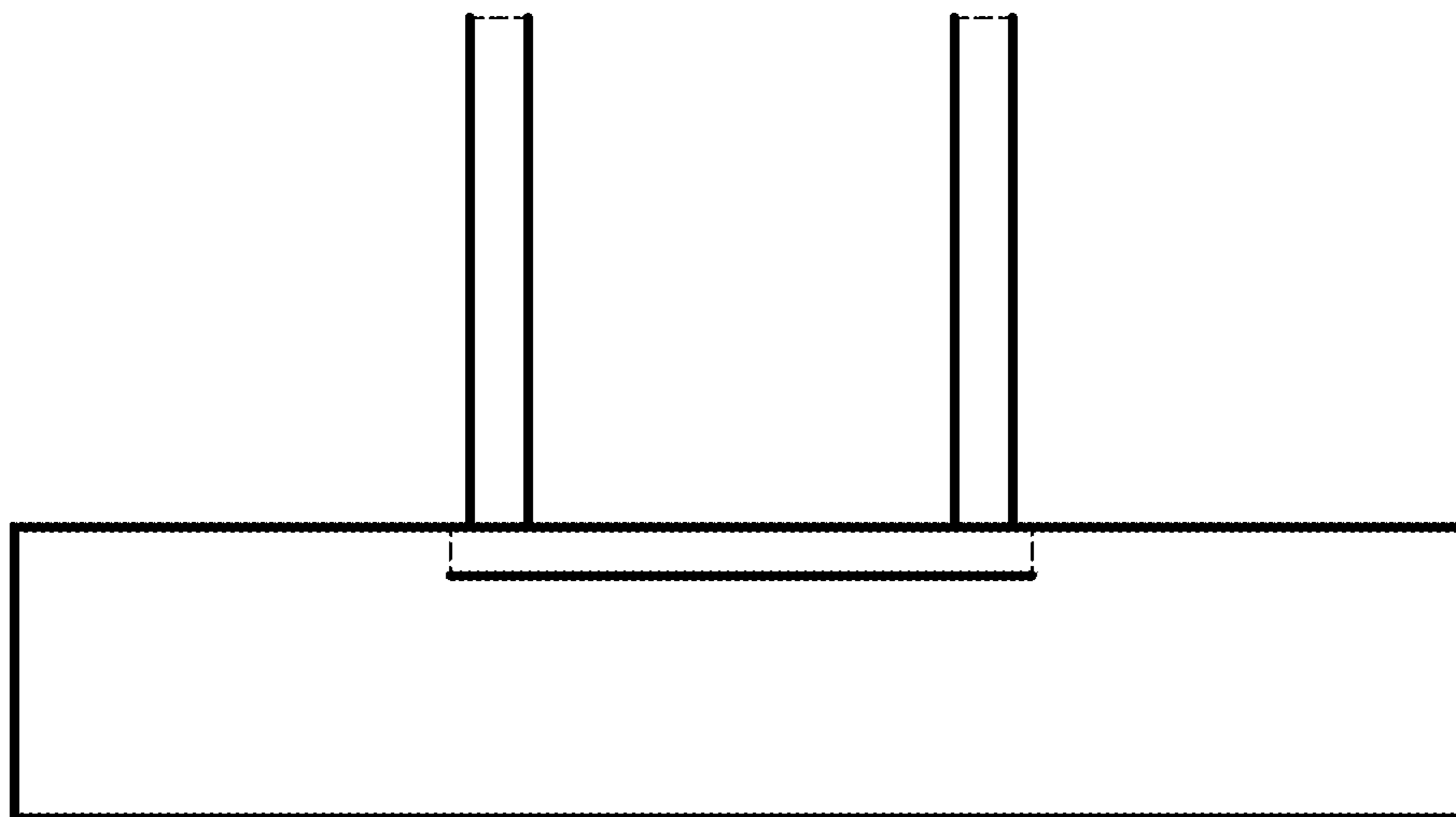


FIG. 4

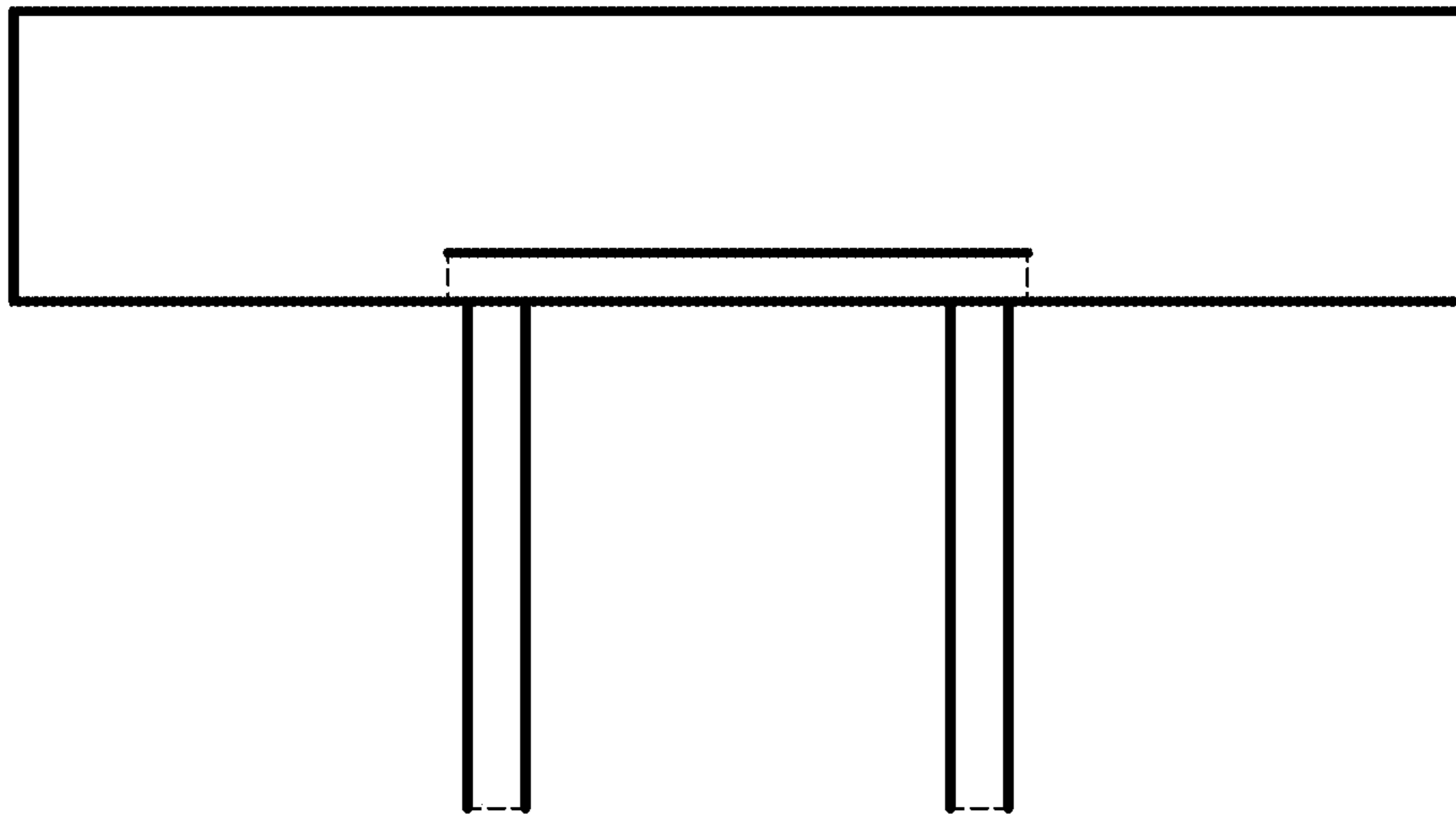


FIG. 5

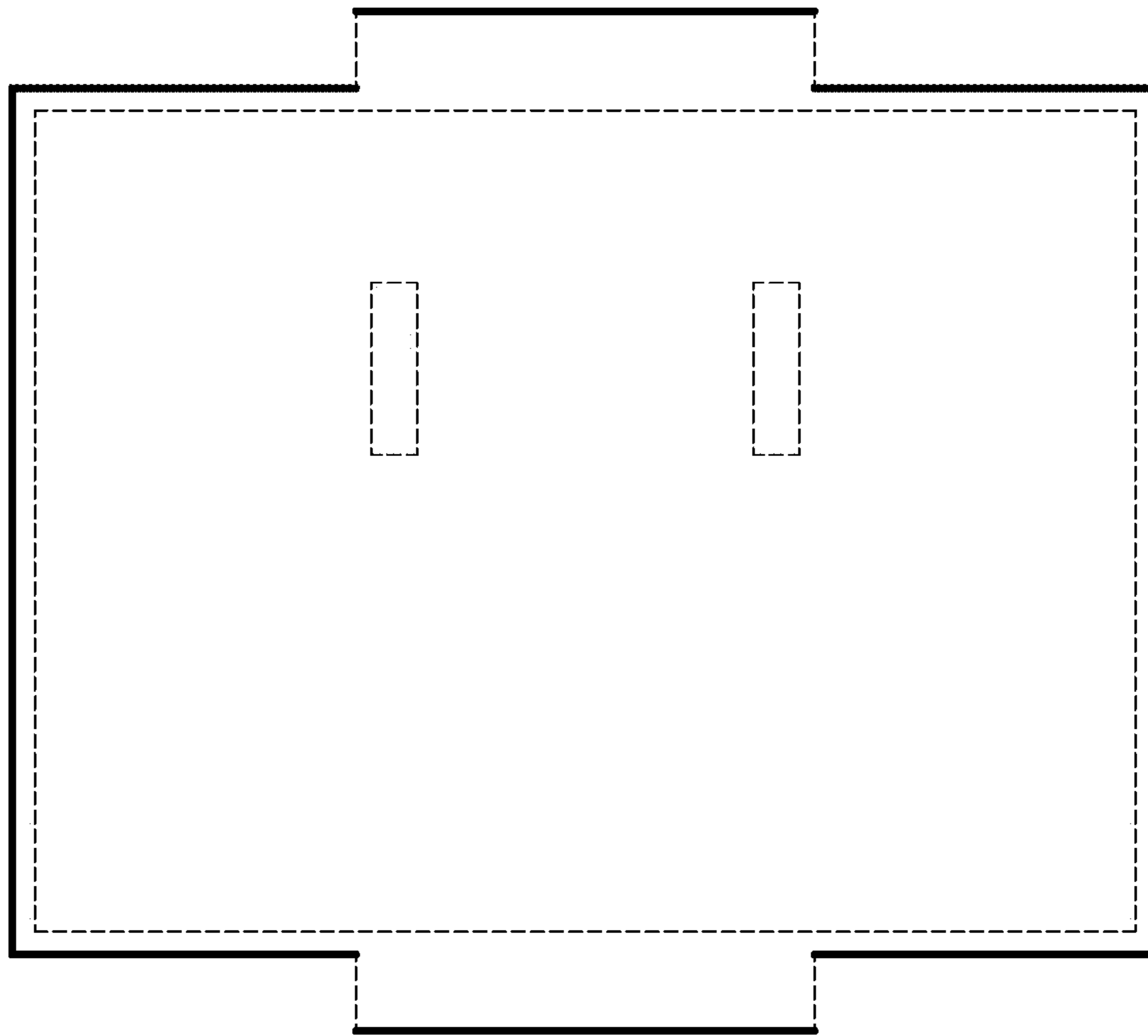


FIG. 6



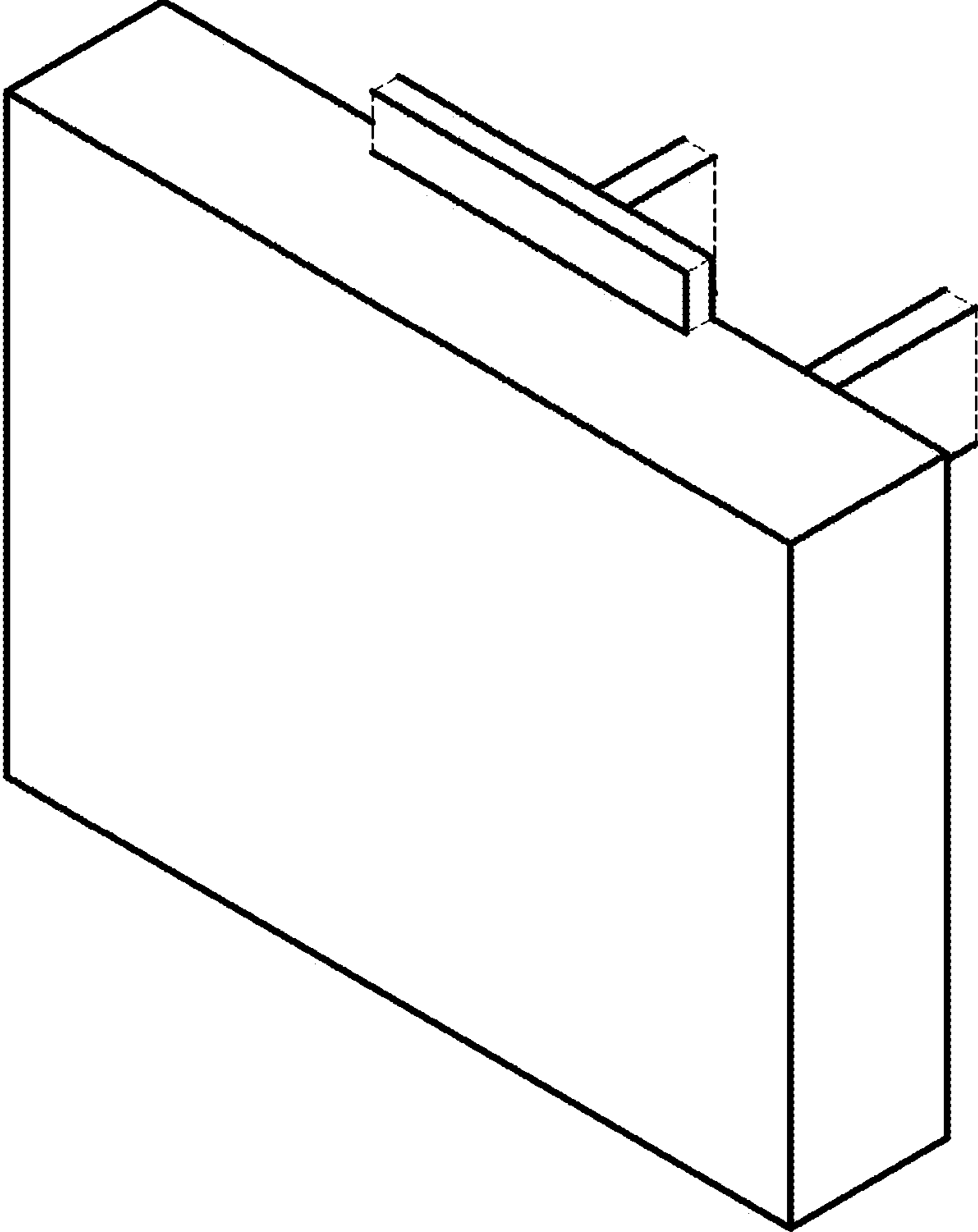


FIG. 7