

US00D925780S

(12) **United States Design Patent** (10) **Patent No.:** **US D925,780 S**  
**Tran** (45) **Date of Patent:** **\*\* Jul. 20, 2021**

(54) **LIGHT BULB**

(71) Applicant: **Huong Tran**, Ho Chi Minh (VN)

(72) Inventor: **Huong Tran**, Ho Chi Minh (VN)

(\*\*) Term: **15 Years**

(21) Appl. No.: **29/761,500**

(22) Filed: **Dec. 9, 2020**

(51) **LOC (13) Cl.** ..... **26-04**

(52) **U.S. Cl.**  
USPC ..... **D26/3**

(58) **Field of Classification Search**  
USPC ..... D26/1-11  
CPC ..... H01R 5/00; H01R 13/46; H01R 13/514;  
H01R 31/02; H01R 31/048; H01J 5/00;  
H01J 5/16; H01J 1/02; H01J 15/00; H01J  
5/48; H01J 5/50; H01J 19/54; F21V 5/00;  
F21K 9/00; F21K 13/00

See application file for complete search history.

(56) **References Cited**

**U.S. PATENT DOCUMENTS**

D461,261 S \* 8/2002 Zhou ..... D26/3  
D482,464 S \* 11/2003 Baldo ..... D26/3  
D501,264 S \* 1/2005 To ..... D26/3

D501,569 S \* 2/2005 Iida ..... D26/3  
D501,938 S \* 2/2005 Iida ..... D26/3  
D510,448 S \* 10/2005 Egawa ..... D26/3  
7,178,944 B2 2/2007 Walton  
2005/0285537 A1 12/2005 Inagaki et al.

**FOREIGN PATENT DOCUMENTS**

WO 1989008801 A1 9/1989

\* cited by examiner

*Primary Examiner* — Marcus A Jackson

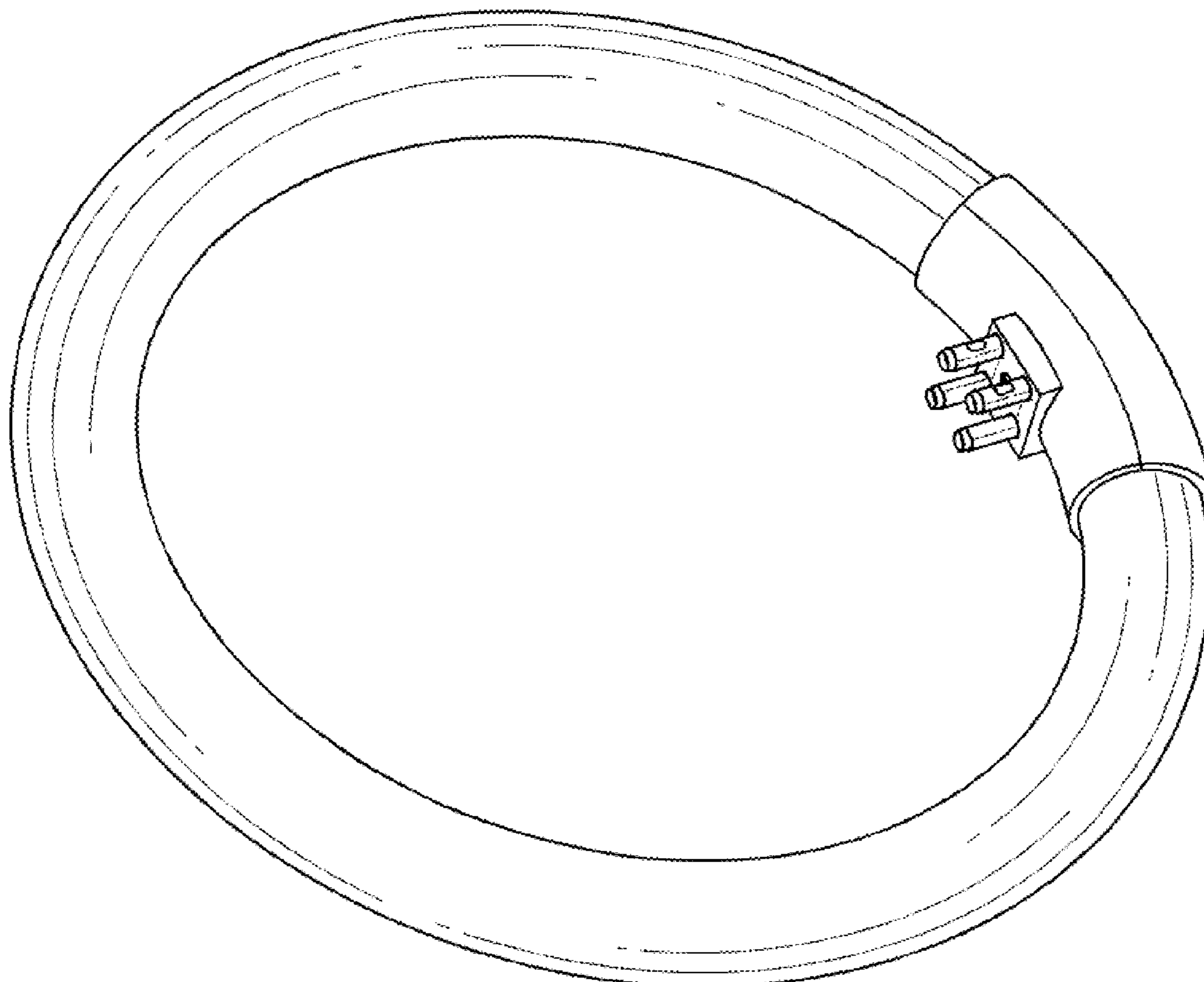
(57) **CLAIM**

The ornamental design for a light bulb, as shown and described.

**DESCRIPTION**

FIG. 1 is a perspective view of a light bulb showing my new design;  
FIG. 2 is a front elevational view thereof;  
FIG. 3 is a rear elevational view thereof;  
FIG. 4 is a left side elevational view thereof;  
FIG. 5 is a right side elevational view thereof;  
FIG. 6 is a bottom plan view thereof;  
FIG. 7 is a top plan view thereof;  
FIG. 8 is a bottom rear view thereof, revealing the pins; and,  
FIG. 9 is a perspective view, revealing the pins.

**1 Claim, 9 Drawing Sheets**



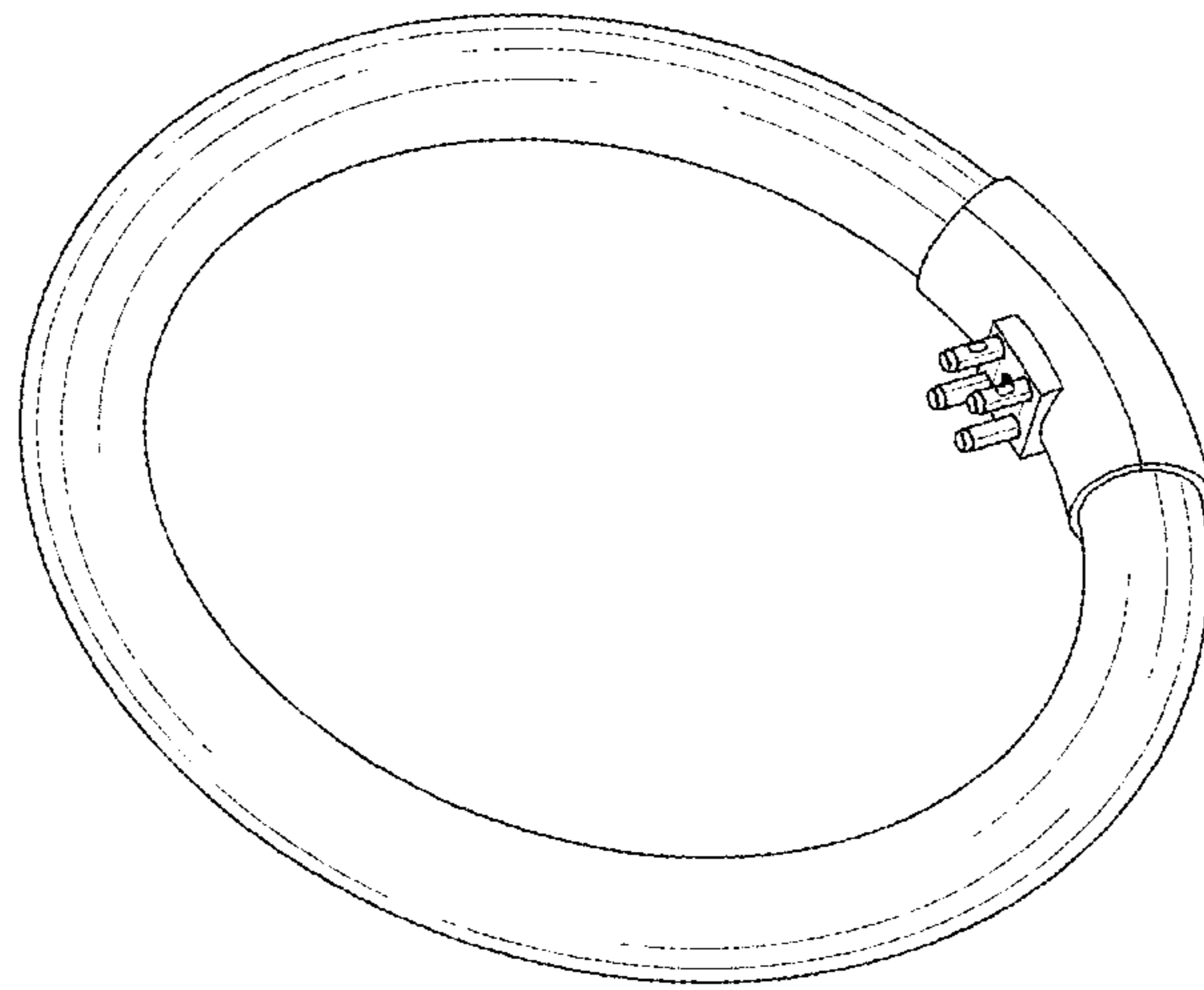


FIG. 1

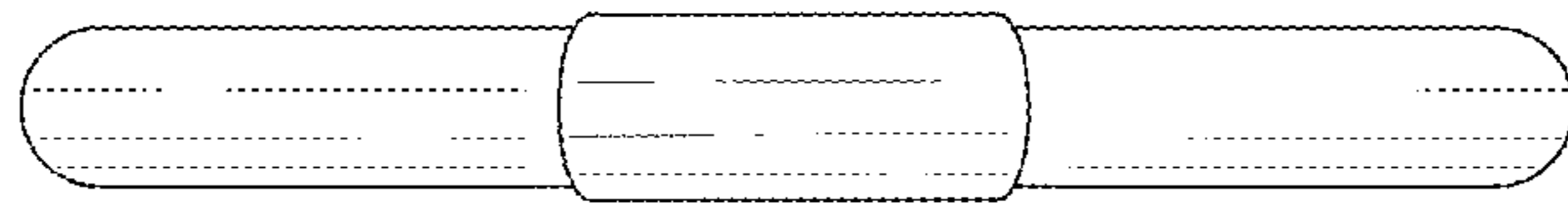


FIG. 2

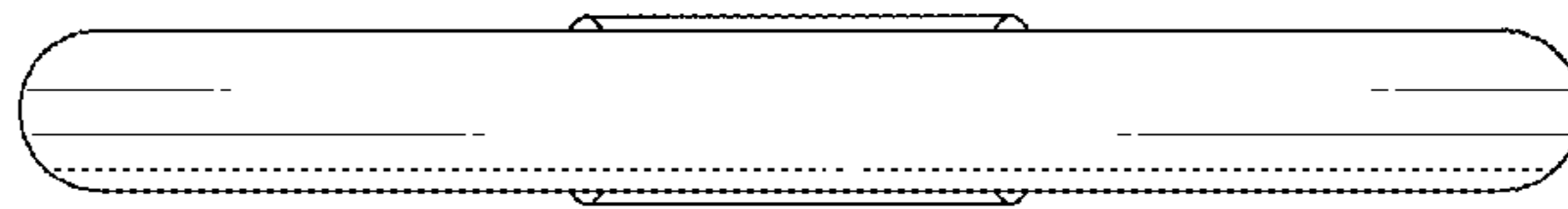


FIG. 3

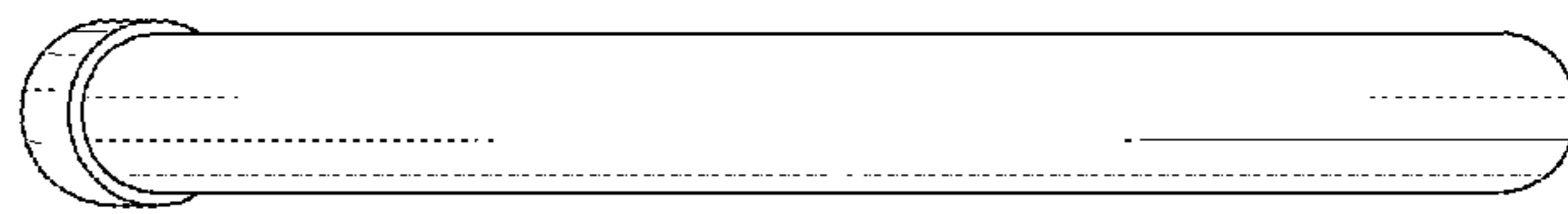


FIG. 4

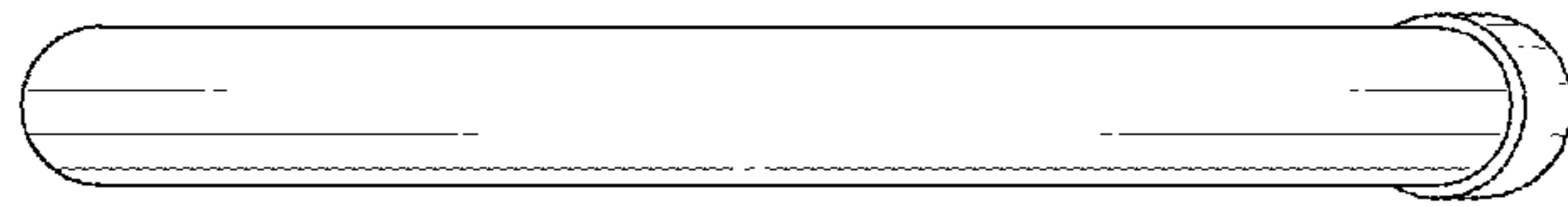


FIG. 5

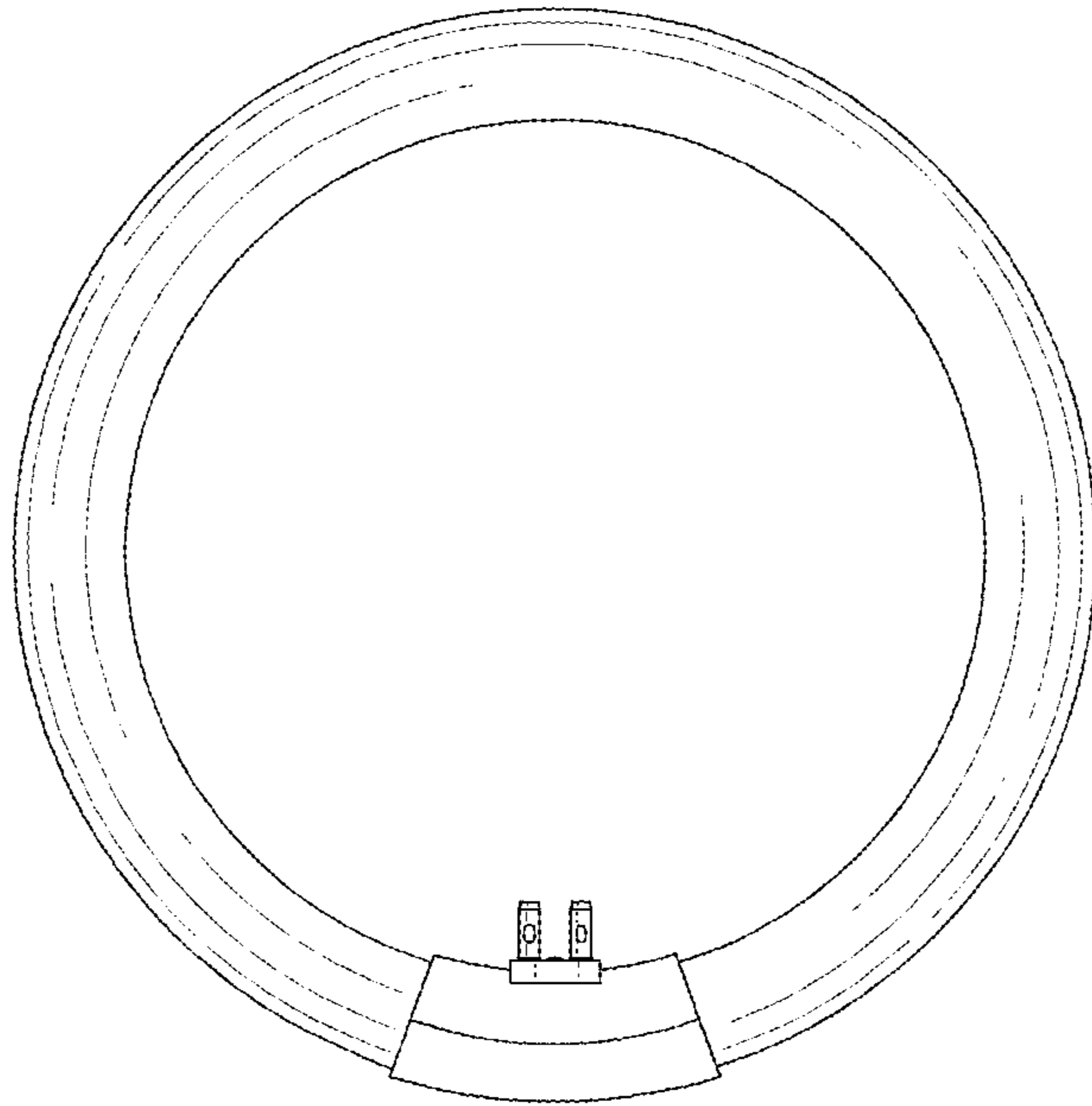


FIG. 6

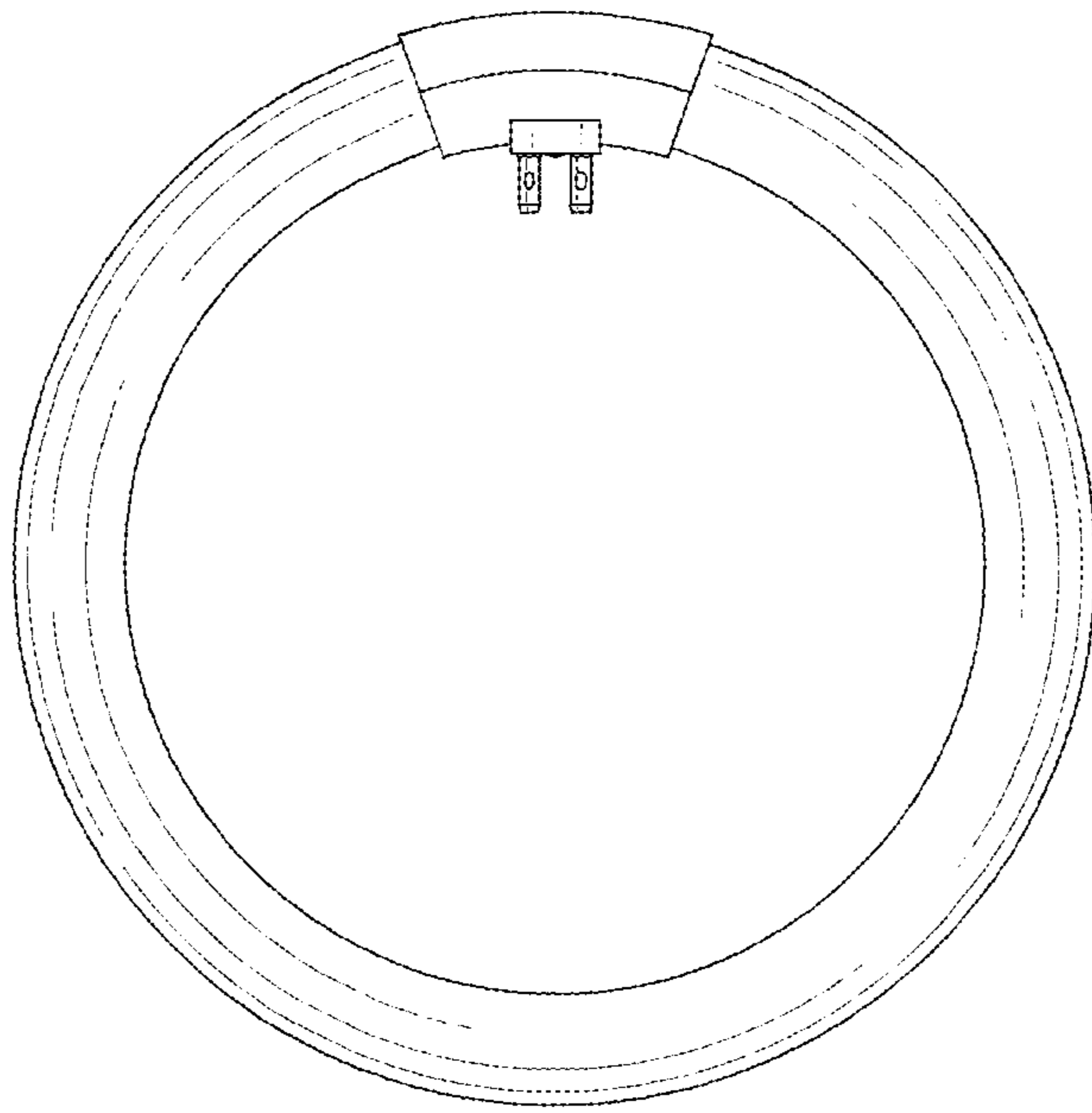


FIG. 7



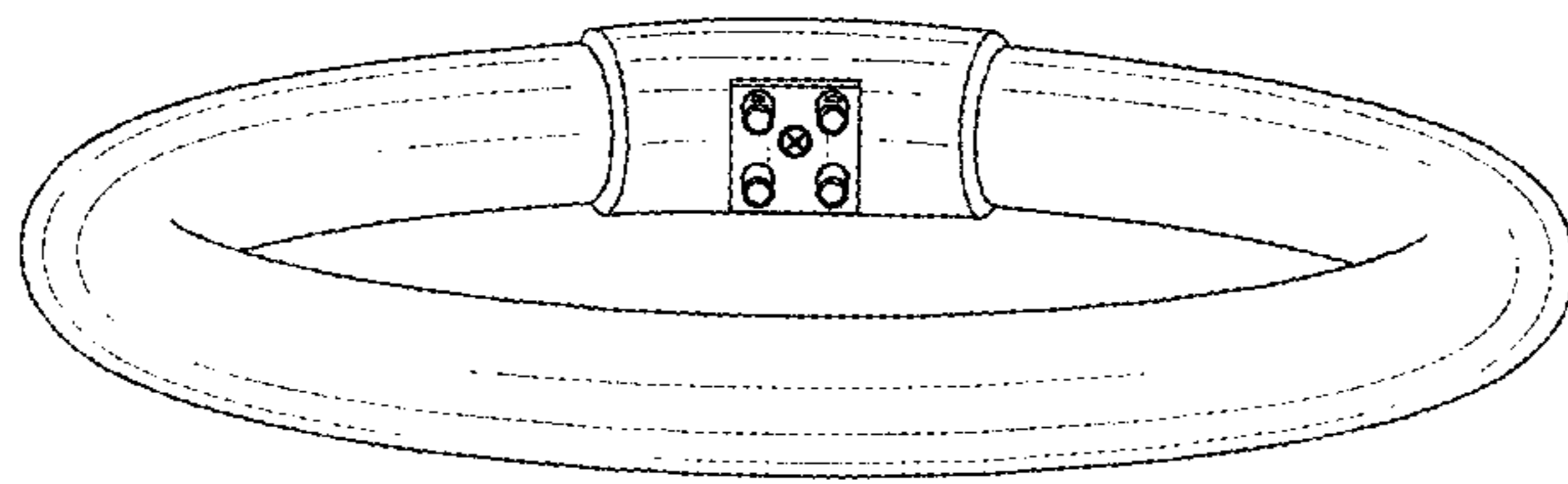


FIG. 8

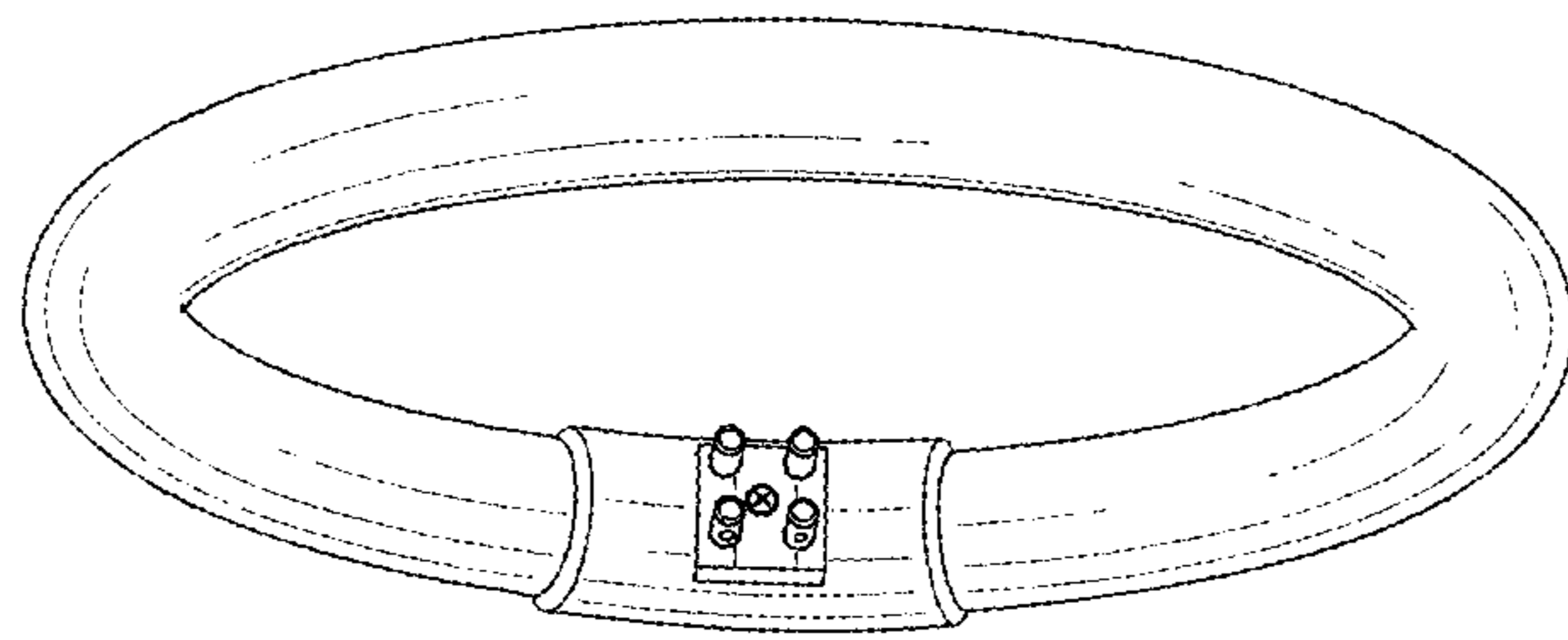


FIG. 9