



US00D925777S

(12) **United States Design Patent**
Dingle et al.

(10) **Patent No.:** **US D925,777 S**
(45) **Date of Patent:** **** Jul. 20, 2021**

(54) **STRUCTURAL PANEL**
(71) Applicant: **Formflow Pty Ltd**, Waurnd Ponds (AU)
(72) Inventors: **Matthew Dingle**, Torquay (AU);
Joseph Dingle, Drysdale (AU)
(73) Assignee: **FORMFLOW PTY LTD**, Waurnd Ponds (AU)
(**) Term: **15 Years**
(21) Appl. No.: **29/725,618**
(22) Filed: **Feb. 26, 2020**
(30) **Foreign Application Priority Data**

Aug. 28, 2019 (AU) 201914954

(51) **LOC (13) Cl.** **25-01**
(52) **U.S. Cl.**
USPC **D25/138**

(58) **Field of Classification Search**
USPC D25/138, 141, 143, 157
CPC E04B 1/08; E04B 2001/747; E04C 2/32;
E04C 2/322; E04C 2/324; E04C 2/34;
E04C 2002/3444; E04C 2002/3455; E04C
2002/3472; E04C 2002/3483
See application file for complete search history.

(56) **References Cited**
U.S. PATENT DOCUMENTS

3,861,326 A * 1/1975 Brown B65D 19/0012
108/57.29
D485,373 S * 1/2004 Morton E04F 15/10
D25/125

D526,727 S * 8/2006 Ross D25/141
7,987,647 B2 * 8/2011 Rymell E04D 3/3608
52/506.06
9,016,026 B2 * 4/2015 Paulson E04C 2/32
52/745.02
9,249,572 B2 * 2/2016 Neumayr E04C 2/324
D771,841 S * 11/2016 Chang D25/138
10,077,553 B2 * 9/2018 Neumayr E04B 2/44
10,174,502 B2 * 1/2019 Kim E04C 2/365
10,246,874 B2 * 4/2019 Vanker E04B 1/24
10,323,413 B1 * 6/2019 Biesiadecki E04C 2/46
10,563,400 B2 * 2/2020 Graham B32B 3/06

* cited by examiner

Primary Examiner — Doris Clark

(74) *Attorney, Agent, or Firm* — Cantor Colburn LLP

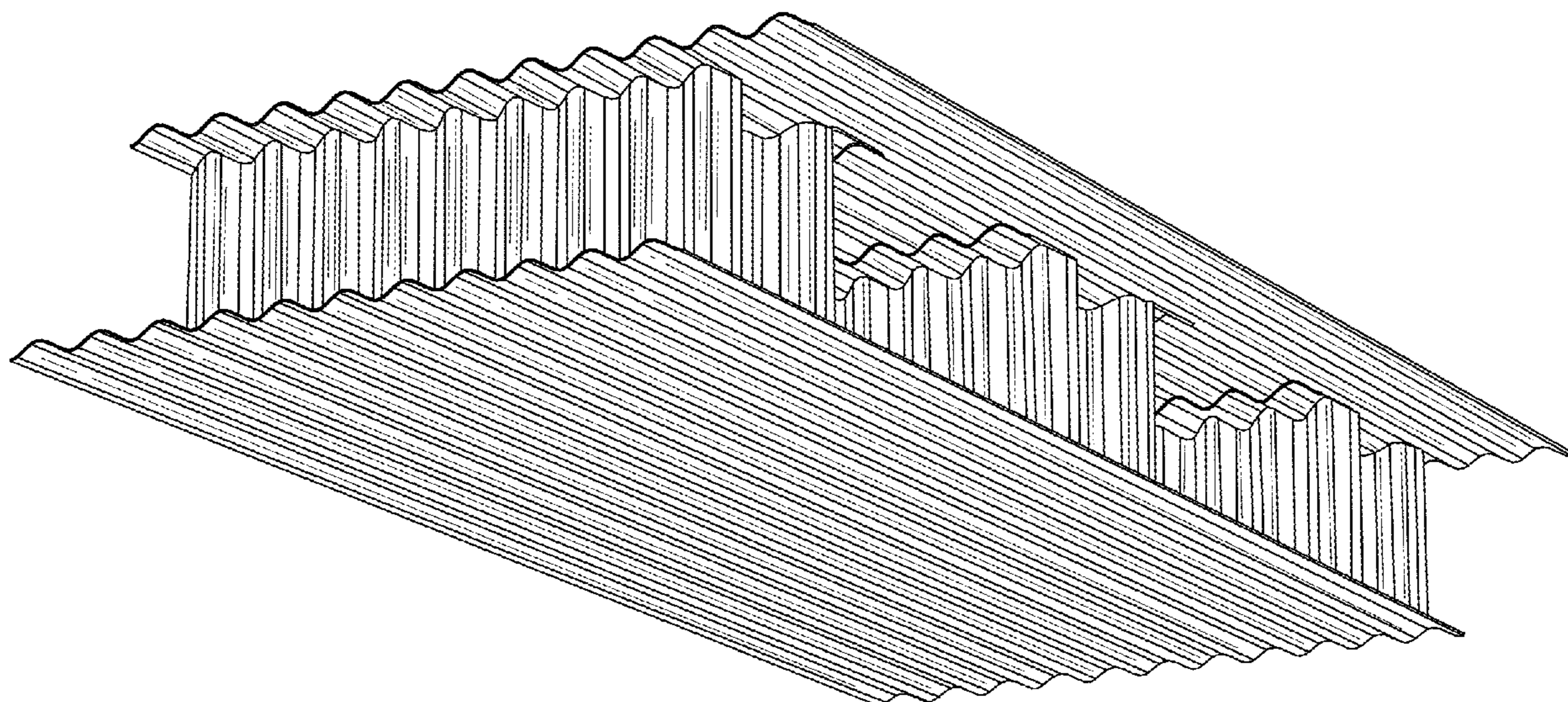
(57) **CLAIM**

The ornamental design for a structural panel, as shown and described.

DESCRIPTION

FIG. 1 is front view of a structural panel showing my new design;
FIG. 2 is a top view thereof;
FIG. 3 is a front perspective view thereof;
FIG. 4 is a rear view thereof;
FIG. 5 is a side perspective view thereof;
FIG. 6 is another side perspective view thereof;
FIG. 7 is a side view thereof;
FIG. 8 is another side view thereof; and,
FIG. 9 is a bottom view thereof.

1 Claim, 7 Drawing Sheets



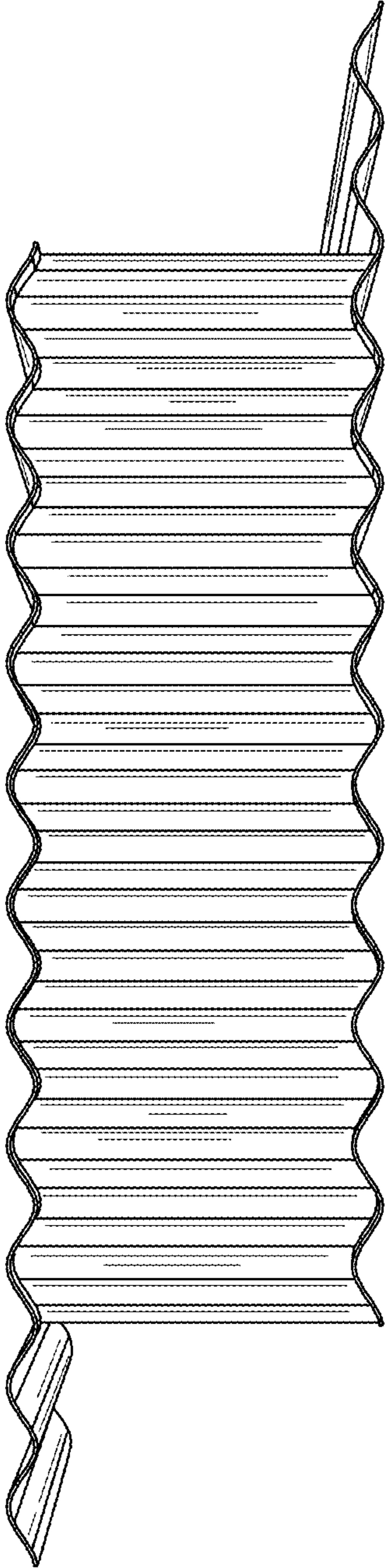


FIG. 1

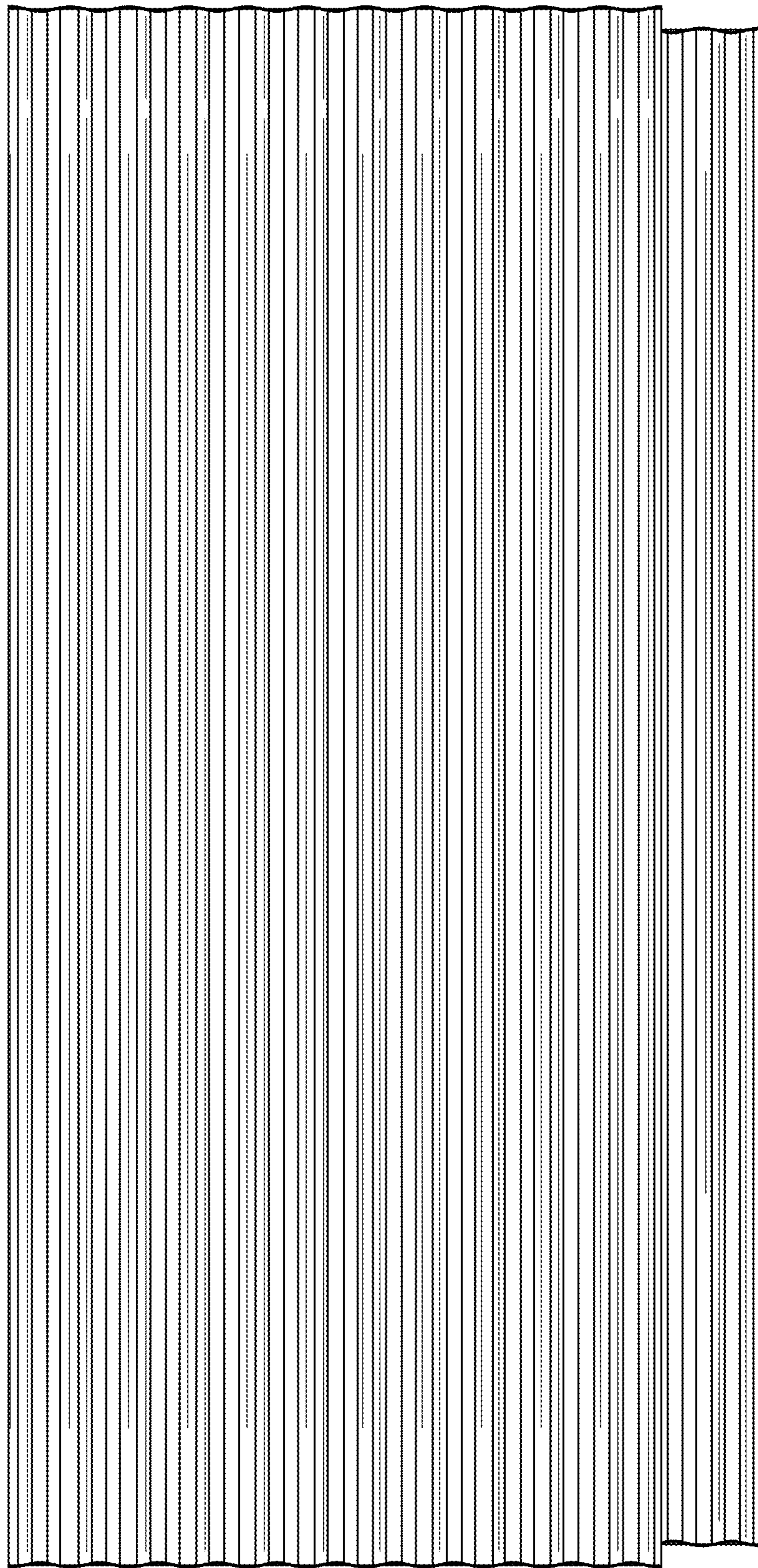


FIG. 2

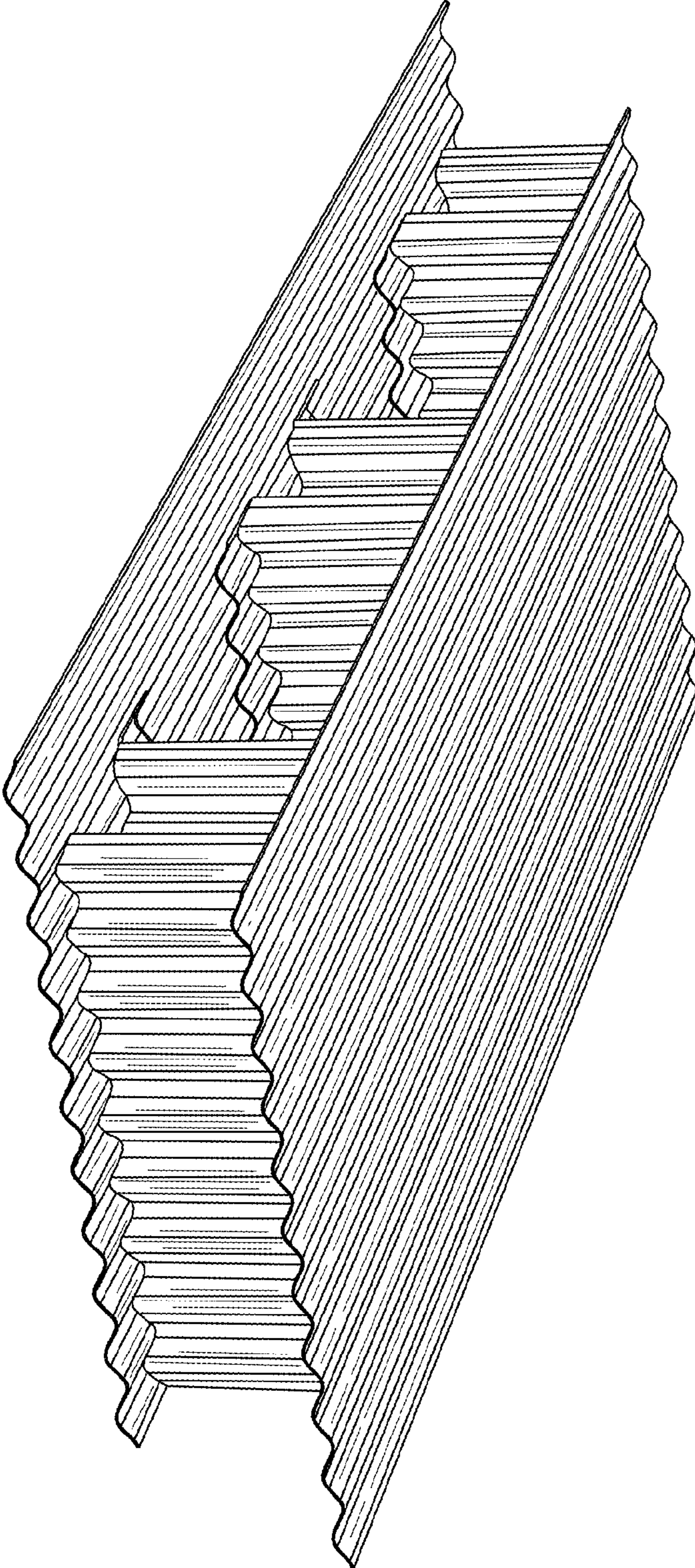


FIG. 3

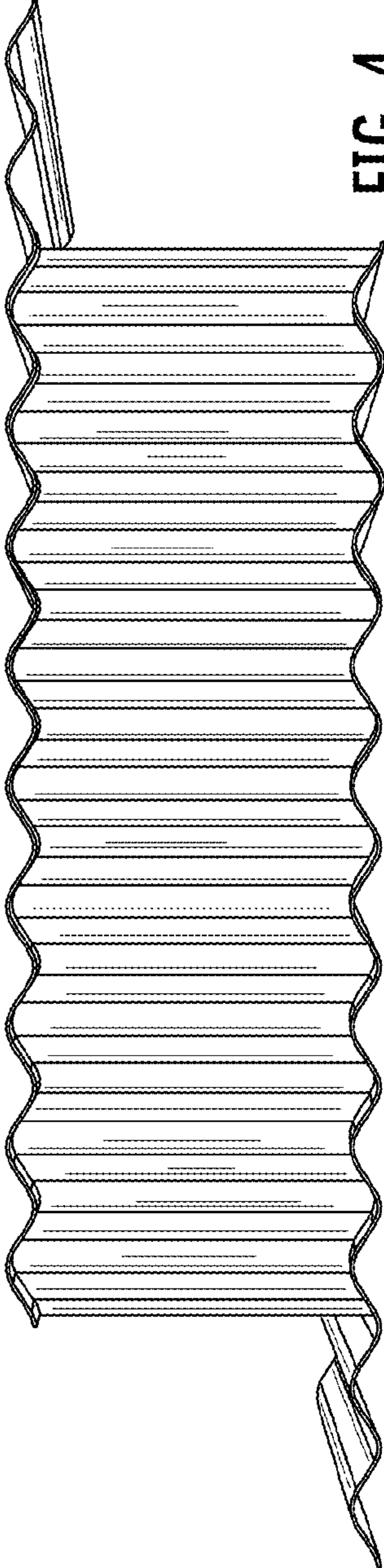


FIG. 4

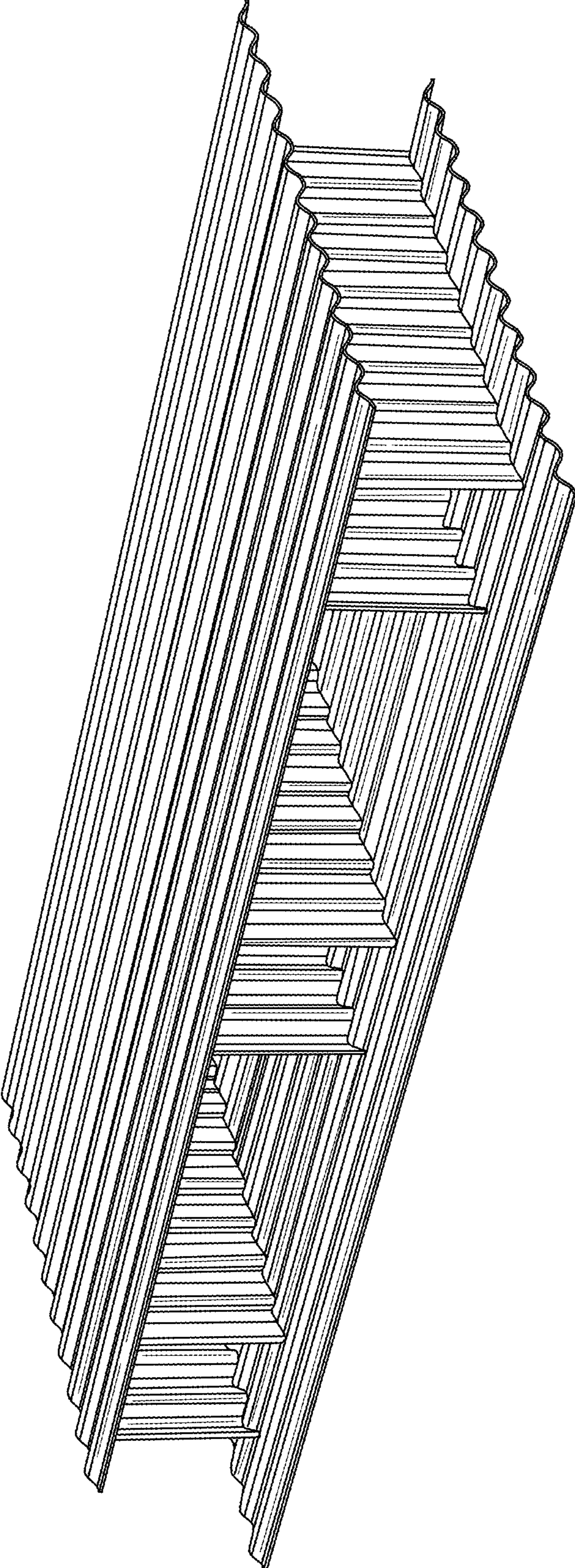


FIG. 5

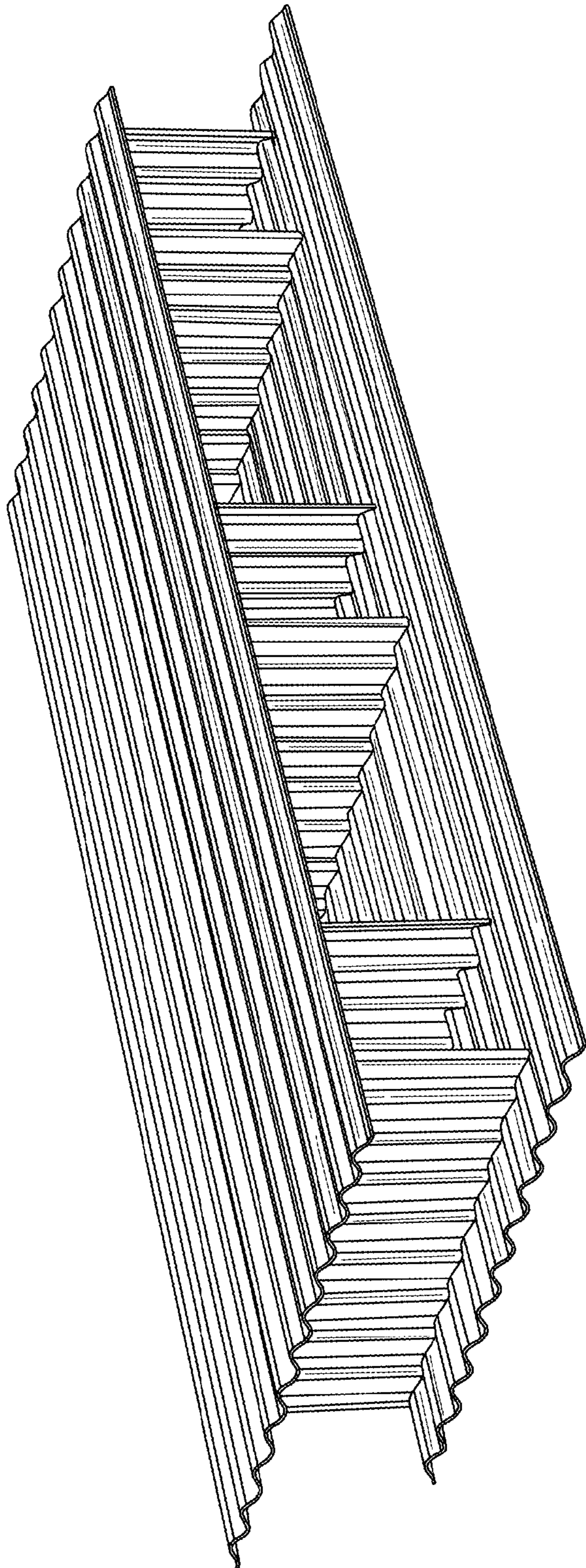


FIG. 6

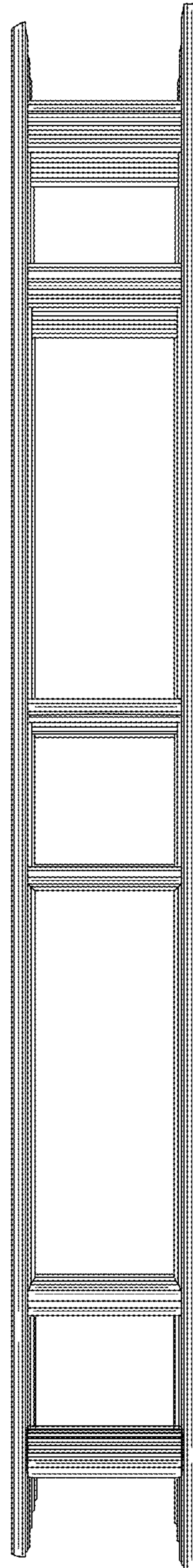


FIG. 7

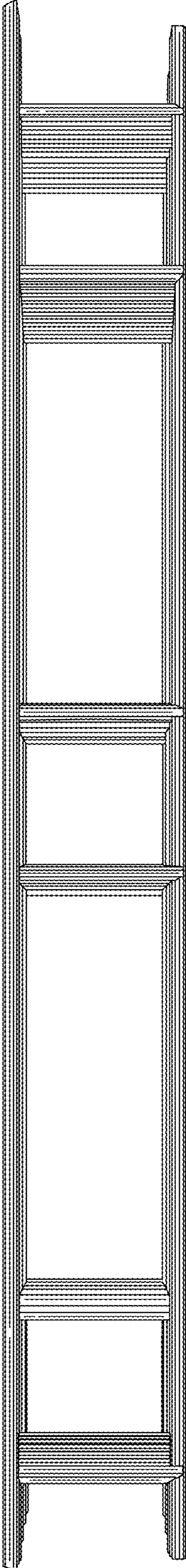


FIG. 8

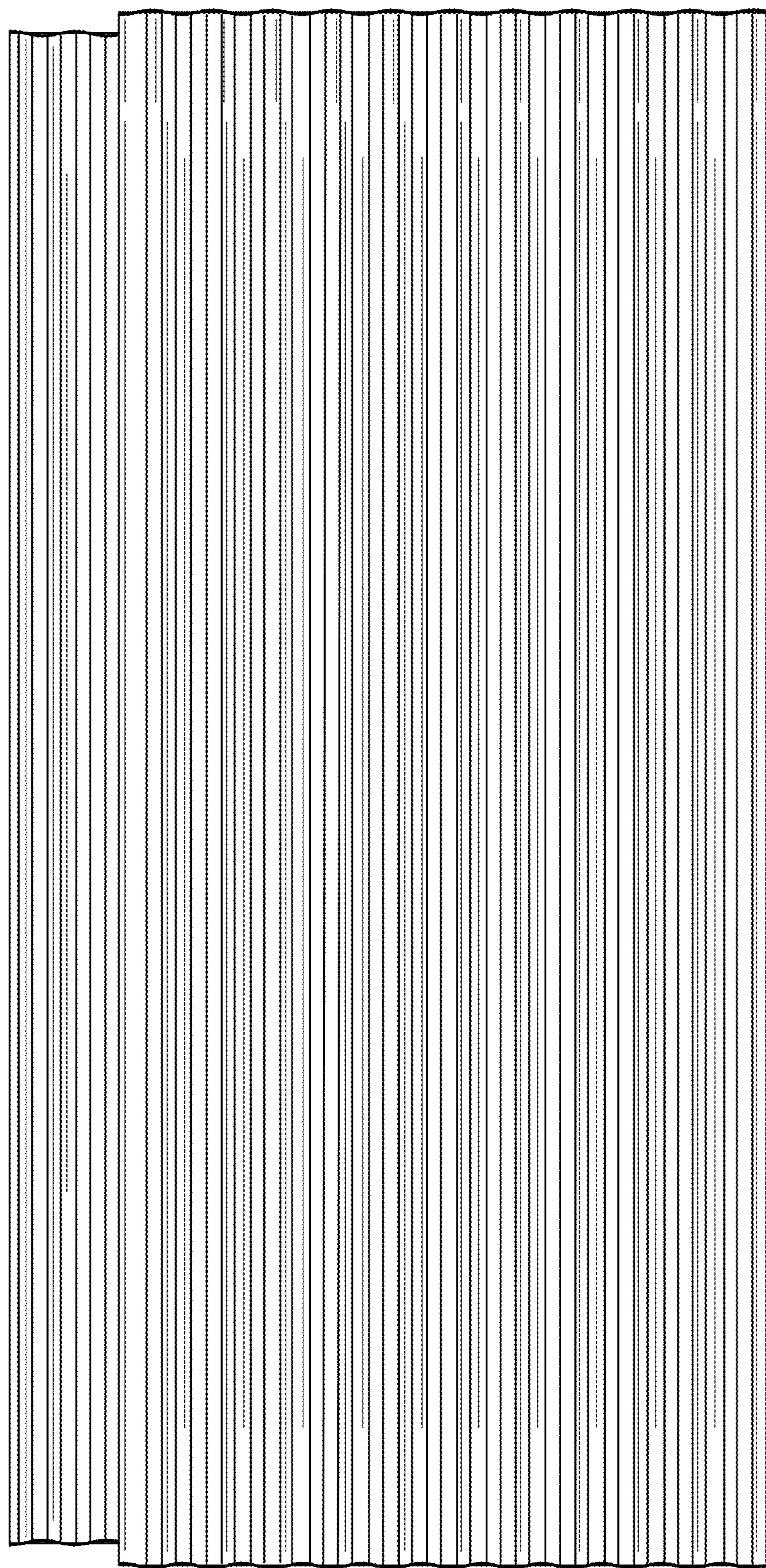


FIG. 9