



US00D925775S

(12) **United States Design Patent** (10) **Patent No.:** **US D925,775 S**  
**Frein** (45) **Date of Patent:** **\*\* Jul. 20, 2021**

(54) **FRAMING ASSEMBLY**  
(71) Applicant: **Thomsa G. Frein**, Midway, AR (US)  
(72) Inventor: **Thomsa G. Frein**, Midway, AR (US)  
(\*\*) Term: **15 Years**  
(21) Appl. No.: **29/750,325**  
(22) Filed: **Sep. 13, 2020**  
(51) **LOC (13) Cl.** ..... **25-02**  
(52) **U.S. Cl.**  
USPC ..... **D25/61**  
(58) **Field of Classification Search**  
USPC ..... D25/55, 56, 58, 60, 61, 126, 127  
CPC ..... E04C 2/00; E04C 2/38; E04C 3/00; E04C 3/02; E04C 3/12; E04C 3/122; E04C 3/125; E04C 3/14; E04C 3/145; E04C 3/29; E04C 3/42; E04C 2003/026; E04B 1/24; E04B 1/26; E04B 1/3416; E04B 1/58; E04B 7/022; E04B 7/045; Y10S 403/15; E06B 1/04; E06B 1/38; E06B 1/40; E06B 1/62; E06B 1/64; E06B 1/68; E06B 2001/622; E06B 2001/626; E06B 2001/628; E06B 5/00; E06B 5/003  
See application file for complete search history.

4,005,556 A \* 2/1977 Tuomi ..... E04B 1/26  
52/93.2  
D253,910 S \* 1/1980 Kaufmann ..... D25/126  
4,437,273 A \* 3/1984 Helfman ..... E04C 3/42  
52/643  
5,341,611 A \* 8/1994 Lewis ..... E04B 1/26  
52/643  
5,950,389 A 9/1999 Porter  
D415,572 S \* 10/1999 Goldwitz ..... D25/56  
5,966,894 A \* 10/1999 Crump, Jr. .... E04C 3/29  
52/404.3

(Continued)

FOREIGN PATENT DOCUMENTS

CN 3593864 \* 12/2006  
CN 300690267 \* 9/2007

OTHER PUBLICATIONS

BEST2\_046\_EE13-1 [https://cdn.ymaws.com/www.nibs.org/resource/resmgr/BEST/BEST2\\_046\\_EE13-1.pdf](https://cdn.ymaws.com/www.nibs.org/resource/resmgr/BEST/BEST2_046_EE13-1.pdf) Apr. 4, 2018 (Year: 2018).\*

(Continued)

*Primary Examiner* — Leanne Was-Englehart  
(74) *Attorney, Agent, or Firm* — Rashauna Norment

(57) **CLAIM**

The ornamental design for a framing assembly, as shown and described.

**DESCRIPTION**

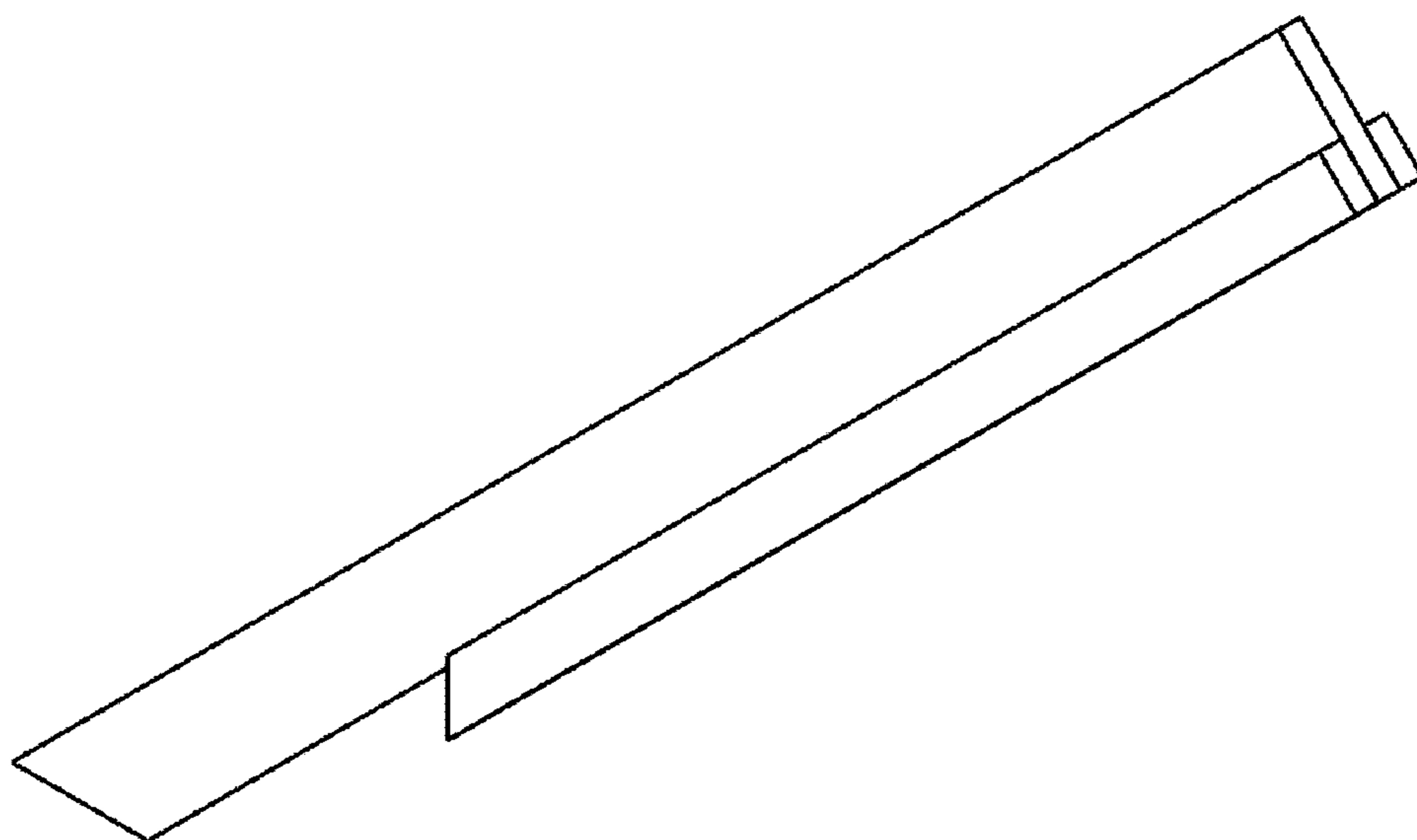
FIG. 1 is a perspective view of a framing assembly, showing my new design;  
FIG. 2 is another perspective view of FIG. 1 thereof;  
FIG. 3 is a top plan view of FIG. 1 thereof;  
FIG. 4 is a bottom plan view of FIG. 1 thereof;  
FIG. 5 is a left side elevation view of FIG. 1 thereof;  
FIG. 6 is a right side elevation view of FIG. 1 thereof;  
FIG. 7 is a front elevation view of FIG. 1 thereof; and,  
FIG. 8 is a rear elevation view of FIG. 1 thereof.

**1 Claim, 8 Drawing Sheets**

(56) **References Cited**

U.S. PATENT DOCUMENTS

1,262,156 A \* 4/1918 Adrian ..... E04B 1/24  
52/93.2  
D136,949 S \* 1/1944 Cooke et al. .... D25/127  
2,541,784 A \* 2/1951 Shannon ..... E04B 7/022  
52/92.2  
2,542,151 A \* 2/1951 McAuliffe, Jr. .... E04B 1/26  
52/92.1  
2,762,084 A \* 9/1956 Singer ..... A01K 31/00  
52/64  
2,943,366 A \* 7/1960 Sanford ..... E04B 1/3416  
52/73



(56)

**References Cited**

U.S. PATENT DOCUMENTS

6,052,953	A *	4/2000	Jewell	.....	E04B 1/24	52/639				
6,481,172	B1	11/2002	Porter							
D596,315	S *	7/2009	Bateman	.....	D25/61					
D596,316	S *	7/2009	Bateman	.....	D25/61					
D602,601	S *	10/2009	Cappone	.....	D25/56					
7,866,112	B2 *	1/2011	Edmondson	.....	E04B 1/24	52/650.1				
8,528,268	B1 *	9/2013	Reaves	.....	E04C 3/42	52/93.1				
8,689,511	B2	4/2014	Fleming, III							
D739,960	S *	9/2015	Britton	.....	D25/126					
D796,063	S *	8/2017	Dettbarn	.....	D25/61					
10,024,057	B2	7/2018	Gibson							
10,246,875	B2 *	4/2019	Clausen	.....	E04C 3/07					
D872,875	S *	1/2020	Dettbarn	.....	D25/61					
2002/0148188	A1 *	10/2002	Rizzotto	.....	E04B 1/24	52/653.1				
2005/0055966	A1 *	3/2005	Conroy	.....	E04C 3/12	52/120				
2005/0183382	A1 *	8/2005	Jensen	.....	E04C 3/07	52/741.3				
2007/0131308	A1	6/2007	Martin							
2009/0277103	A1 *	11/2009	De Jaham	.....	E04B 1/26	52/93.1				
2009/0293395	A1	12/2009	Porter							
2011/0185669	A1 *	8/2011	Dueker	.....	E04C 3/02	52/519				
2017/0058516	A1	3/2017	Lieberman et al.							
2020/0123763	A1 *	4/2020	Mori	.....	E04B 1/26					

OTHER PUBLICATIONS

Mastering Roof Inspections\_ Roof Framing, Part 1 InterNACHI  
<https://www.nachi.org/roof-framing-part1-2.htm> 2009 (Year: 2009).\*

Workshop Model—Getting the roof on \_ Smoogleville <https://smoogleville.wordpress.com/2011/09/12/workshop-model-getting-the-roof-on/> Sep. 12, 2011 (Year: 2011).\*

\* cited by examiner

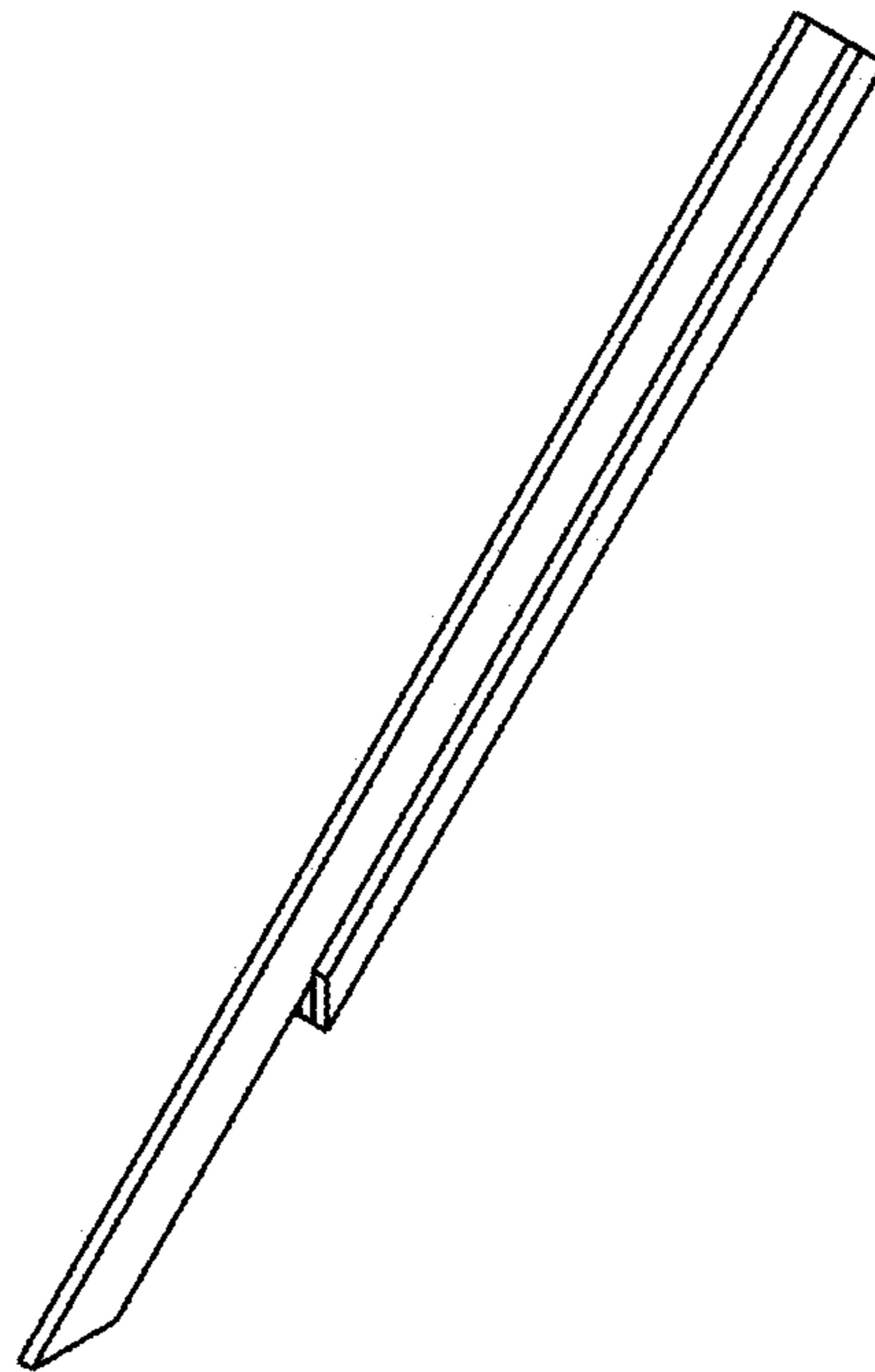


Fig. 1

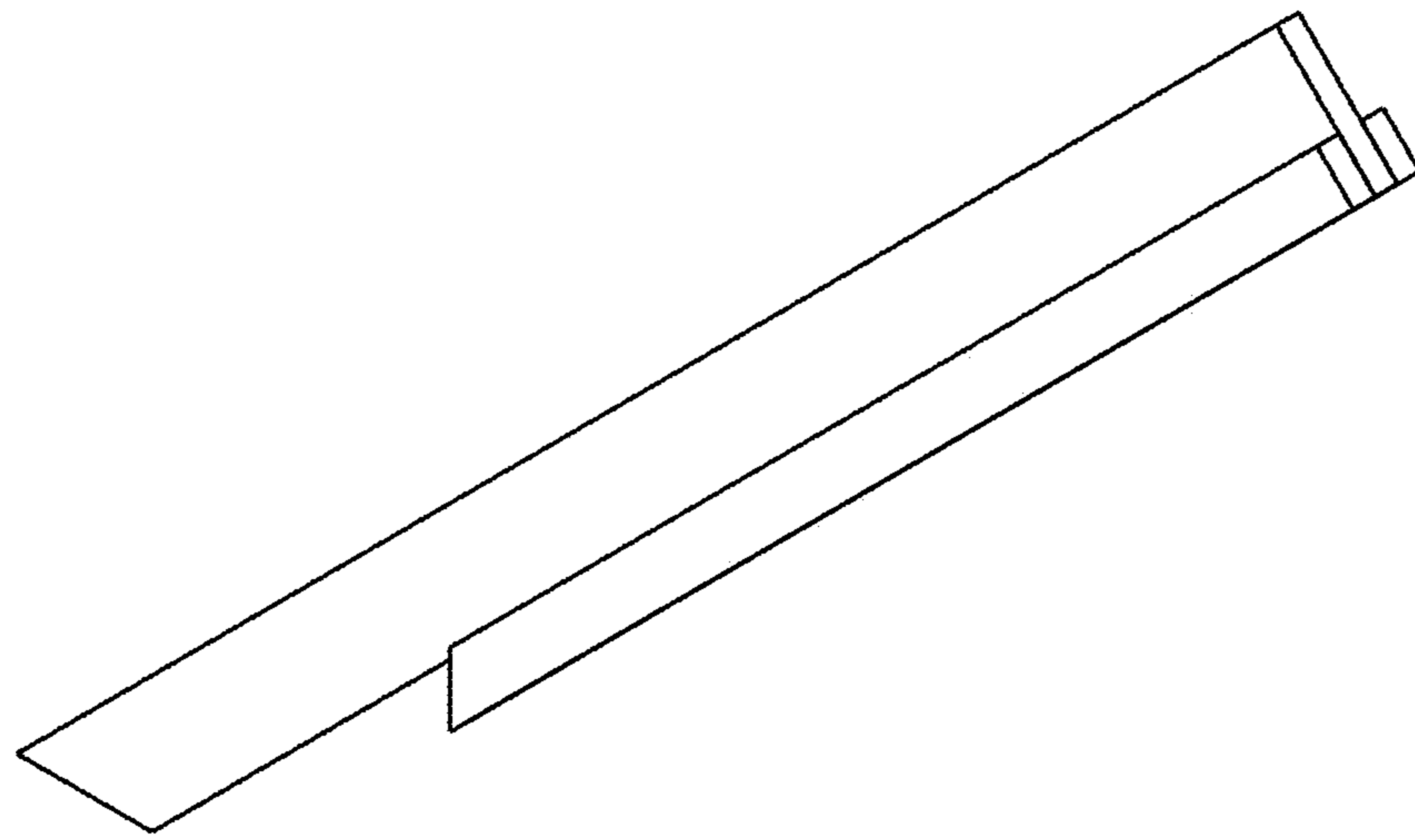


Fig. 2



Fig. 3



Fig. 4

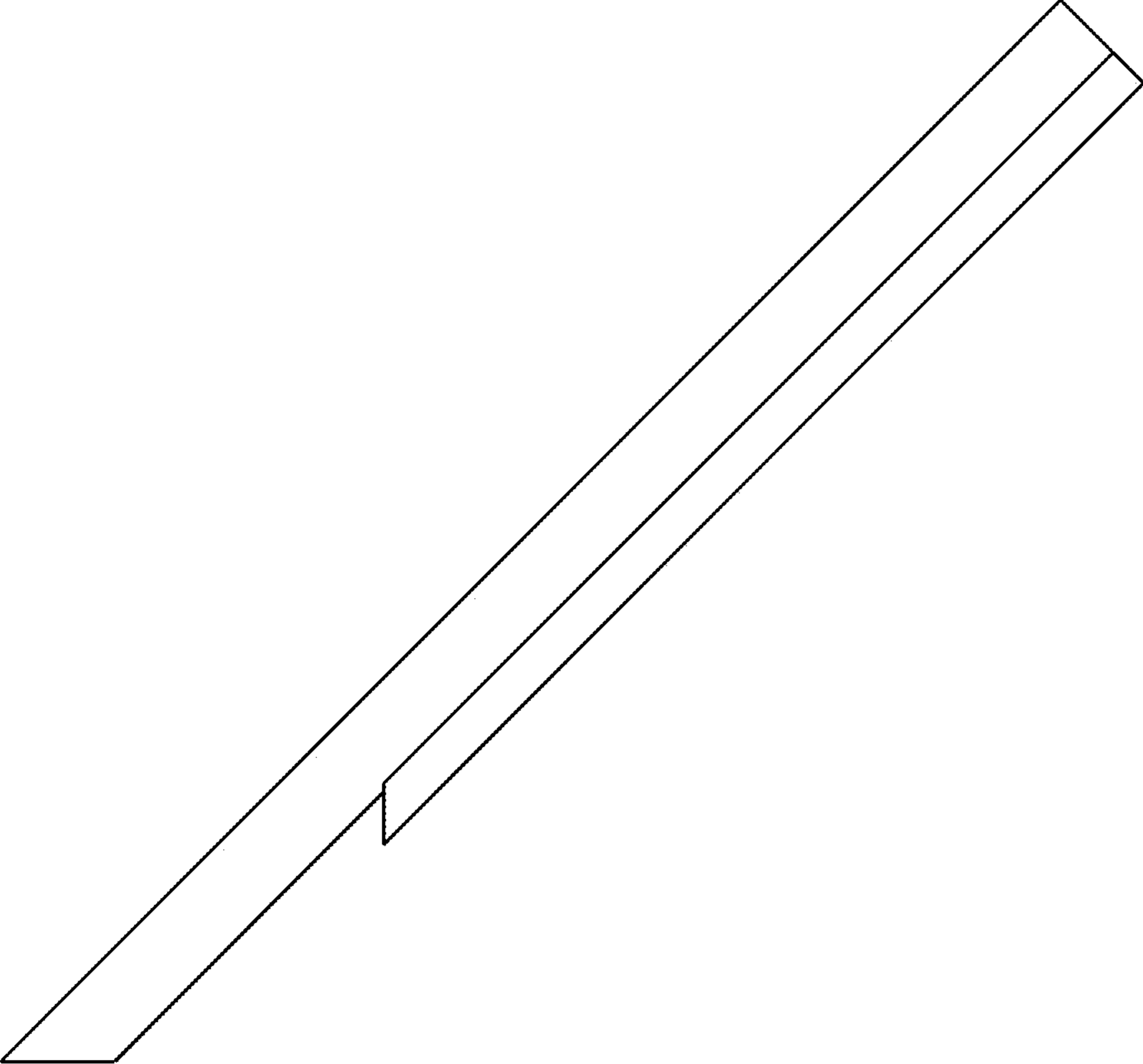


Fig. 5

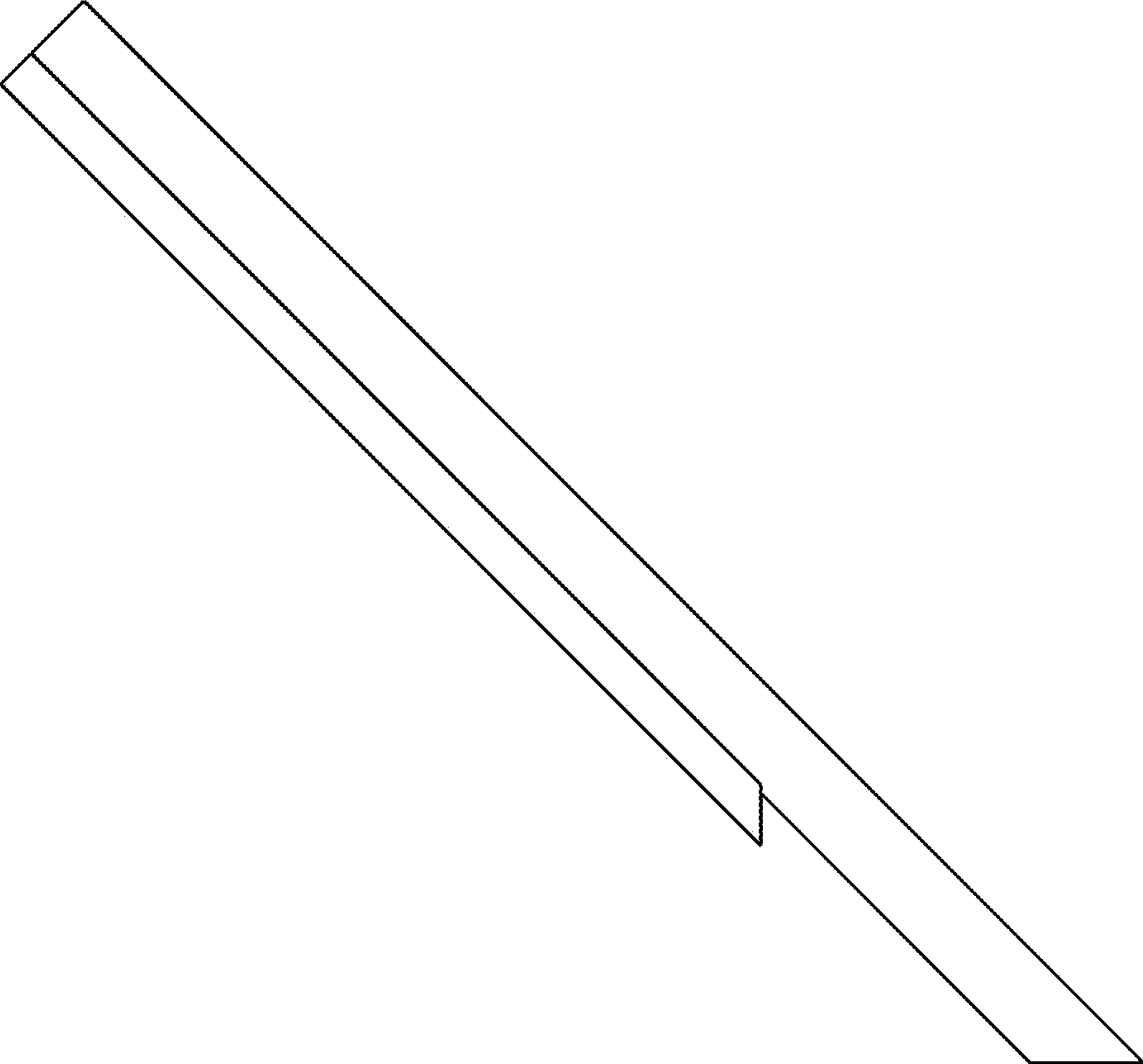


Fig. 6



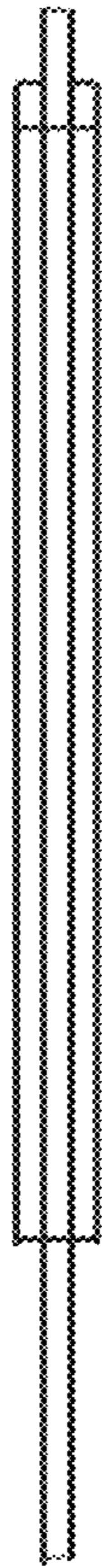


Fig. 7



Fig. 8