



US00D925774S

(12) **United States Design Patent**  
**Anderson**

(10) **Patent No.:** **US D925,774 S**  
(45) **Date of Patent:** **\*\* Jul. 20, 2021**

(54) **ATM SECURITY STRUCTURE**

(71) Applicant: **Synergy Group LLC**, Louisville, KY  
(US)

(72) Inventor: **Tate T. Anderson**, Floyd Knobs, IN  
(US)

(73) Assignee: **Synergy Group LLC**, Louisville, KY  
(US)

(\*\*) Term: **15 Years**

(21) Appl. No.: **29/697,368**

(22) Filed: **Jul. 8, 2019**

(51) **LOC (13) Cl.** ..... **25-02**

(52) **U.S. Cl.**

USPC ..... **D25/48.5**

(58) **Field of Classification Search**

USPC ..... D25/38.1, 43, 44, 48.5, 58, 126, 164

CPC ..... G07F 19/201; G07F 19/205; E01F 13/06;  
A47B 96/02; E04F 19/026; E04F 19/028;  
Y10T 428/2902; Y10T 428/24198; E04H  
17/02; E04H 17/08

See application file for complete search history.

(56) **References Cited**

**U.S. PATENT DOCUMENTS**

D232,808 S \* 9/1974 Rockvam ..... D8/354  
3,891,900 A 6/1975 Gallant  
4,078,836 A 3/1978 Wilson

(Continued)

**FOREIGN PATENT DOCUMENTS**

EM 001983339-0007 \* 2/2012  
EM 001983339-0011 \* 2/2012

(Continued)

**OTHER PUBLICATIONS**

ATM Security Gate Barrier YouTube [https://www.youtube.com/watch?v=RAIrOwvGmH0&feature=emb\\_logo](https://www.youtube.com/watch?v=RAIrOwvGmH0&feature=emb_logo) Oct. 7, 2020 (Year: 2020).\*

*Primary Examiner* — Leanne Was-Englehart

(74) *Attorney, Agent, or Firm* — Frost Brown Todd LLC

(57) **CLAIM**

The ornamental design for an ATM security structure, as shown and described.

**DESCRIPTION**

FIG. 1 is a front perspective view of a first embodiment of an ATM security structure showing the new design.

FIG. 2 is a front perspective view thereof.

FIG. 3 is a rear perspective view thereof.

FIG. 4 is a front elevation view thereof.

FIG. 5 is a rear elevation view thereof.

FIG. 6 is a side elevation view thereof.

FIG. 7 is a side elevation view thereof, opposite to the side elevation view of FIG. 6.

FIG. 8 is a top view thereof.

FIG. 9 is a bottom view thereof.

FIG. 10 is a front perspective view of a second embodiment of an ATM security structure showing the new design.

FIG. 11 is a front perspective view thereof.

FIG. 12 is a rear perspective view thereof.

FIG. 13 is a front elevation view thereof.

FIG. 14 is a rear elevation view thereof.

FIG. 15 is a side elevation view thereof.

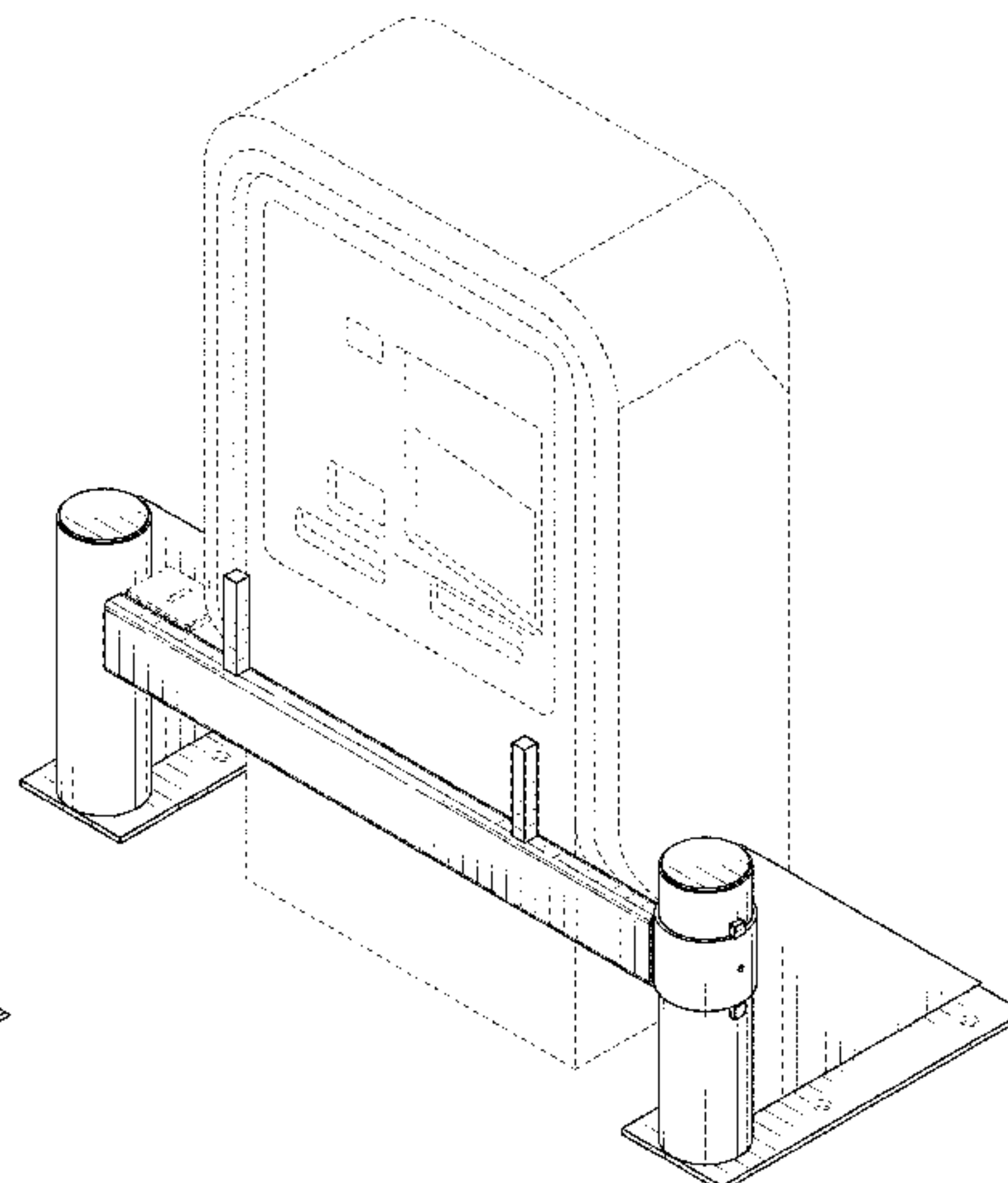
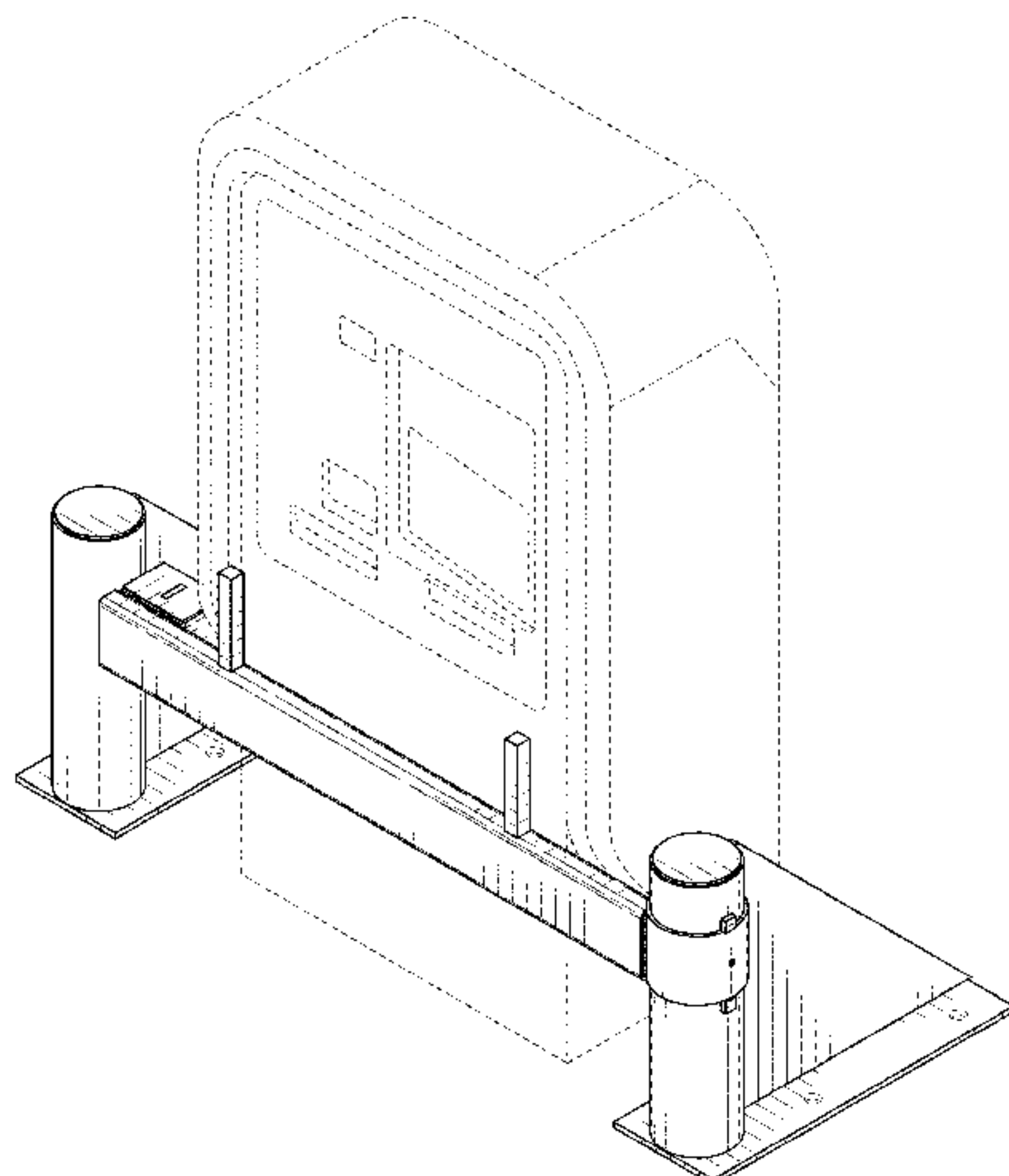
FIG. 16 is a side elevation view thereof, opposite to the side elevation view of FIG. 15.

FIG. 17 is a top view thereof; and,

FIG. 18 is a bottom view thereof.

The evenly-spaced broken lines depicting the exemplary ATM in FIGS. 1 and 10 in the drawings are included for purpose of illustrating environment and form no part of the claimed design. The other evenly-spaced broken lines in the drawings depict portions of the ATM security structure that form no part of the claimed design.

**1 Claim, 16 Drawing Sheets**



(56)

**References Cited**

U.S. PATENT DOCUMENTS

5,738,342 A \* 4/1998 Van Winkle ..... E04H 17/08  
256/35

5,915,802 A 6/1999 Siler

6,460,292 B1 10/2002 Rodriguez et al.

D683,471 S \* 5/2013 Mukith ..... D25/38.1

D683,472 S \* 5/2013 Mukith ..... D25/38.1

D683,473 S \* 5/2013 Mukith ..... D25/38.1

D683,474 S \* 5/2013 Mukith ..... D25/38.1

D683,475 S \* 5/2013 Mukith ..... D25/38.1

D683,476 S \* 5/2013 Mukith ..... D25/38.1

8,438,885 B2 5/2013 Calder

D690,029 S \* 9/2013 Mukith ..... D25/38.1

D690,030 S \* 9/2013 Mukith ..... D25/38.1

D690,031 S \* 9/2013 Mukith ..... D25/38.1

D702,366 S \* 4/2014 Mukith ..... D25/38.1

D806,268 S \* 12/2017 Forte ..... D25/43

2010/0307205 A1 12/2010 Calder

2013/0071182 A1\* 3/2013 Younce ..... E01F 13/12  
404/6

2014/0161523 A1\* 6/2014 Ball ..... E01F 13/06  
404/6

2019/0127933 A1\* 5/2019 Messelis ..... E01F 13/06

2021/0012621 A1 1/2021 Anderson

FOREIGN PATENT DOCUMENTS

GB 2456586 A 7/2009

KR 300694947.0000 \* 5/2013

\* cited by examiner

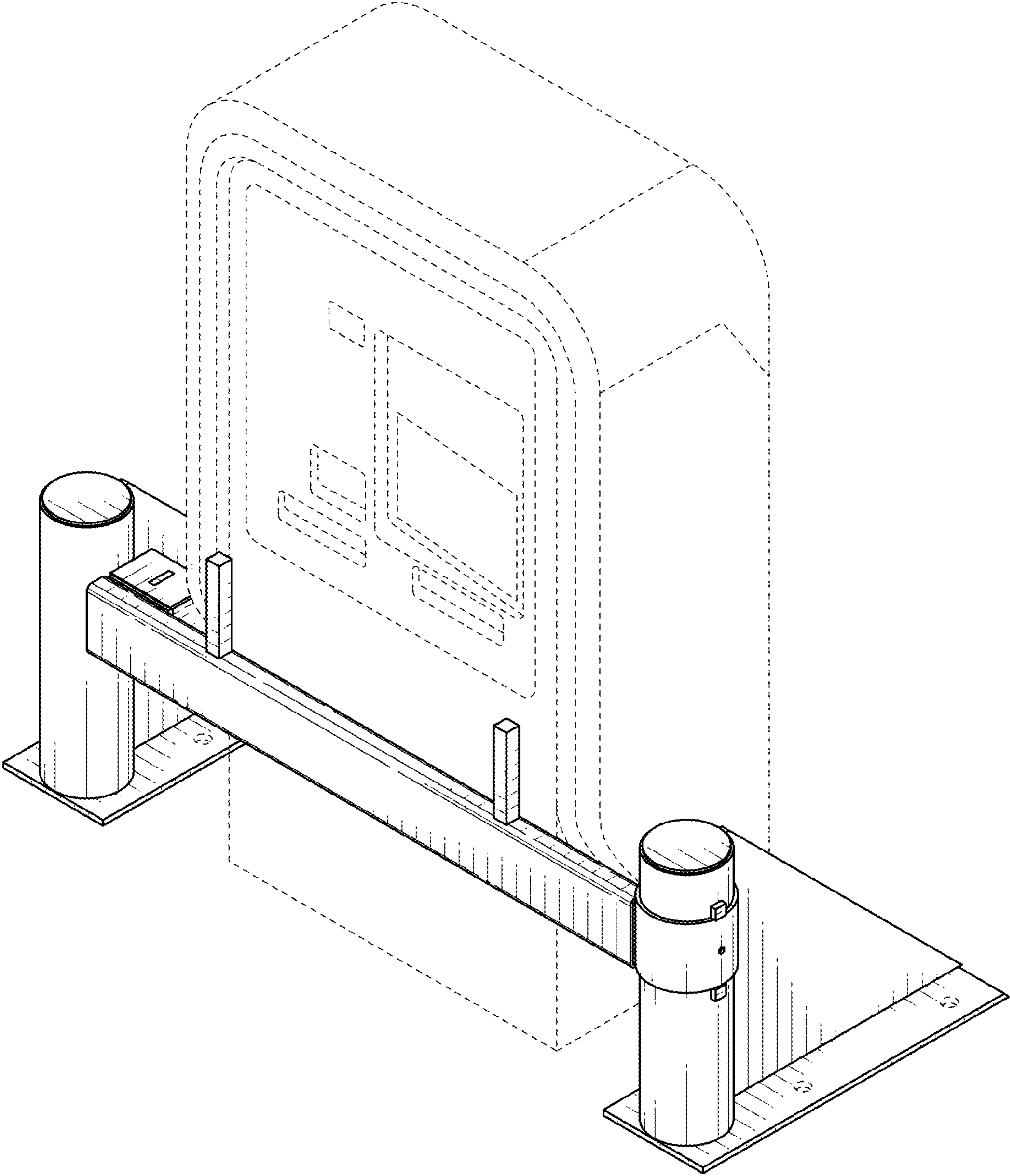


FIG. 1

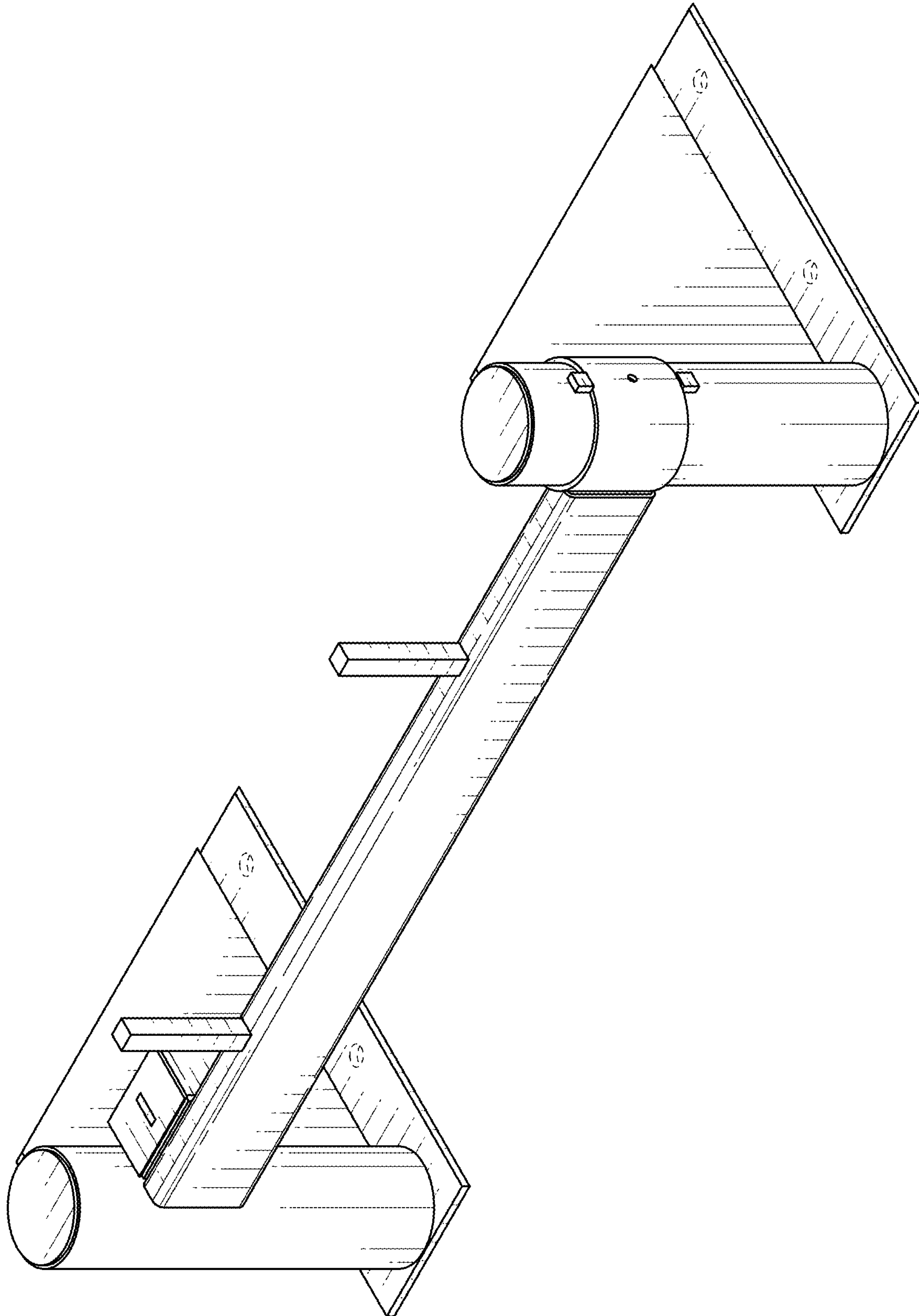


FIG. 2



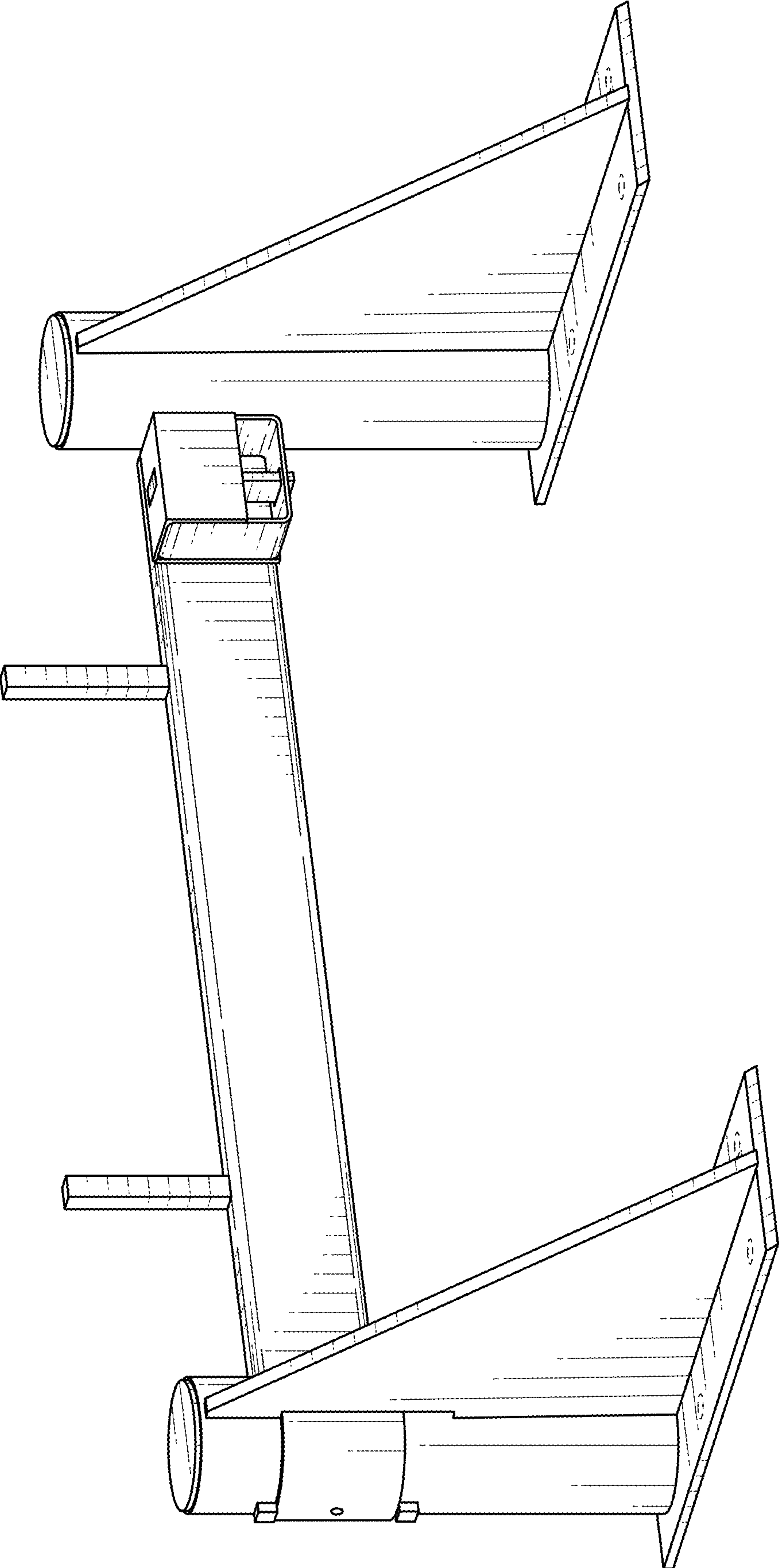


FIG. 3

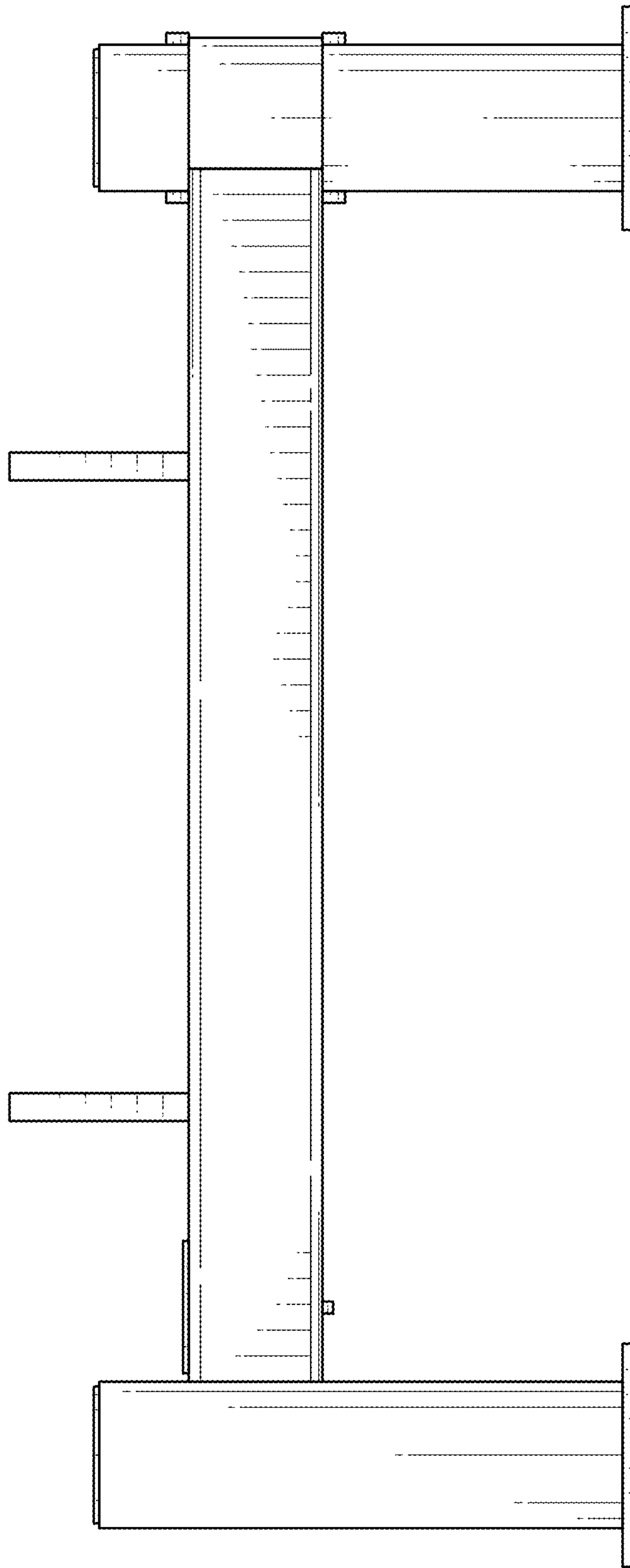


FIG. 4

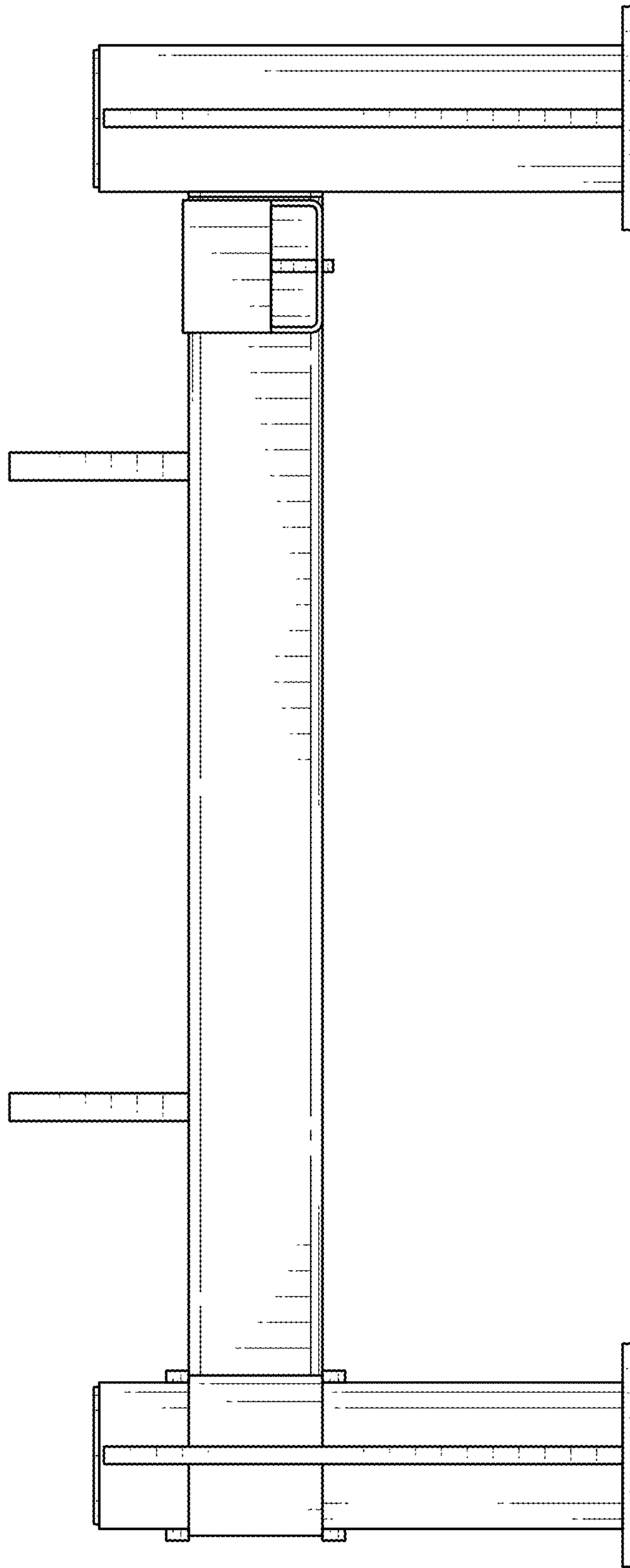


FIG. 5

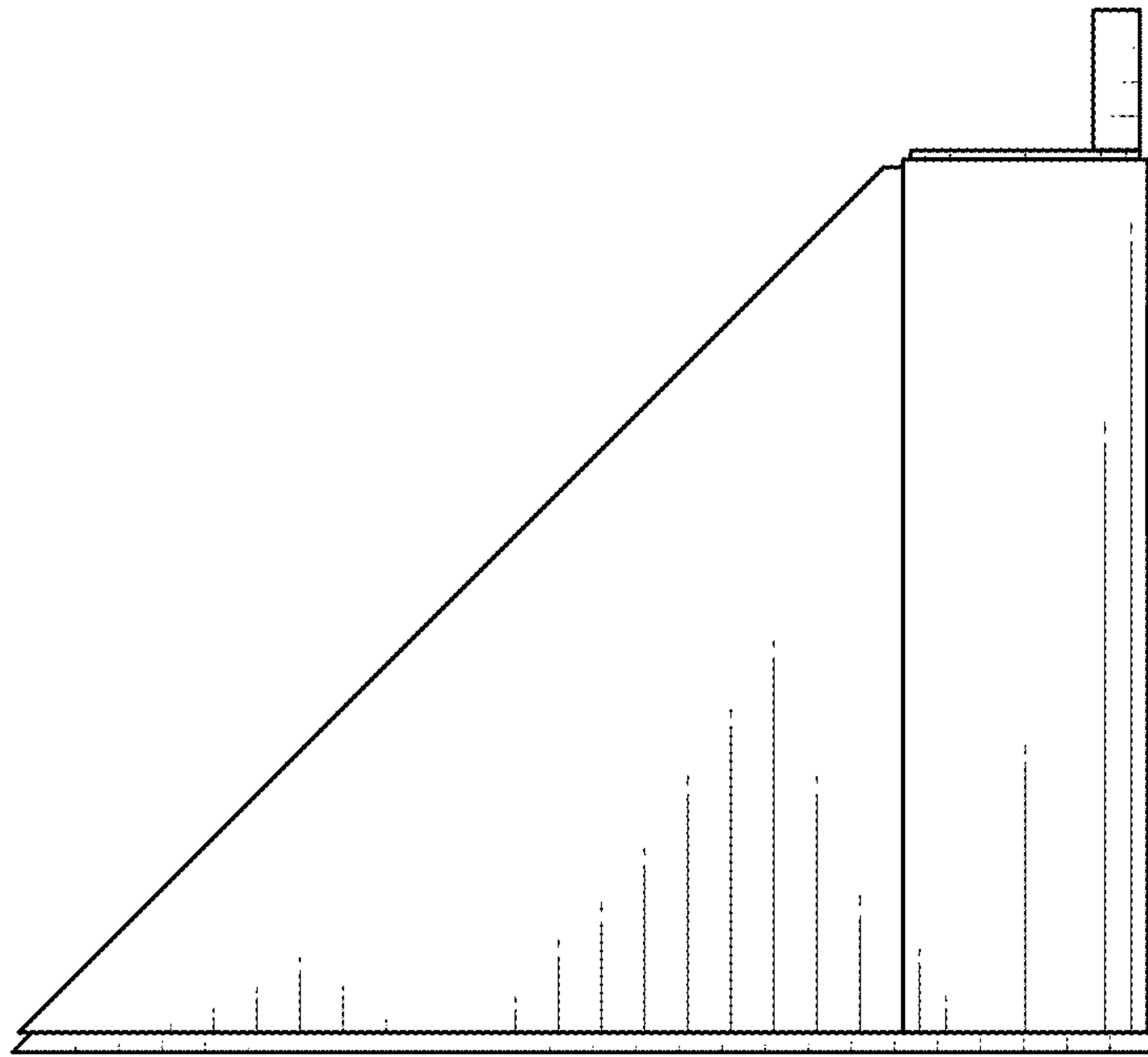


FIG. 6

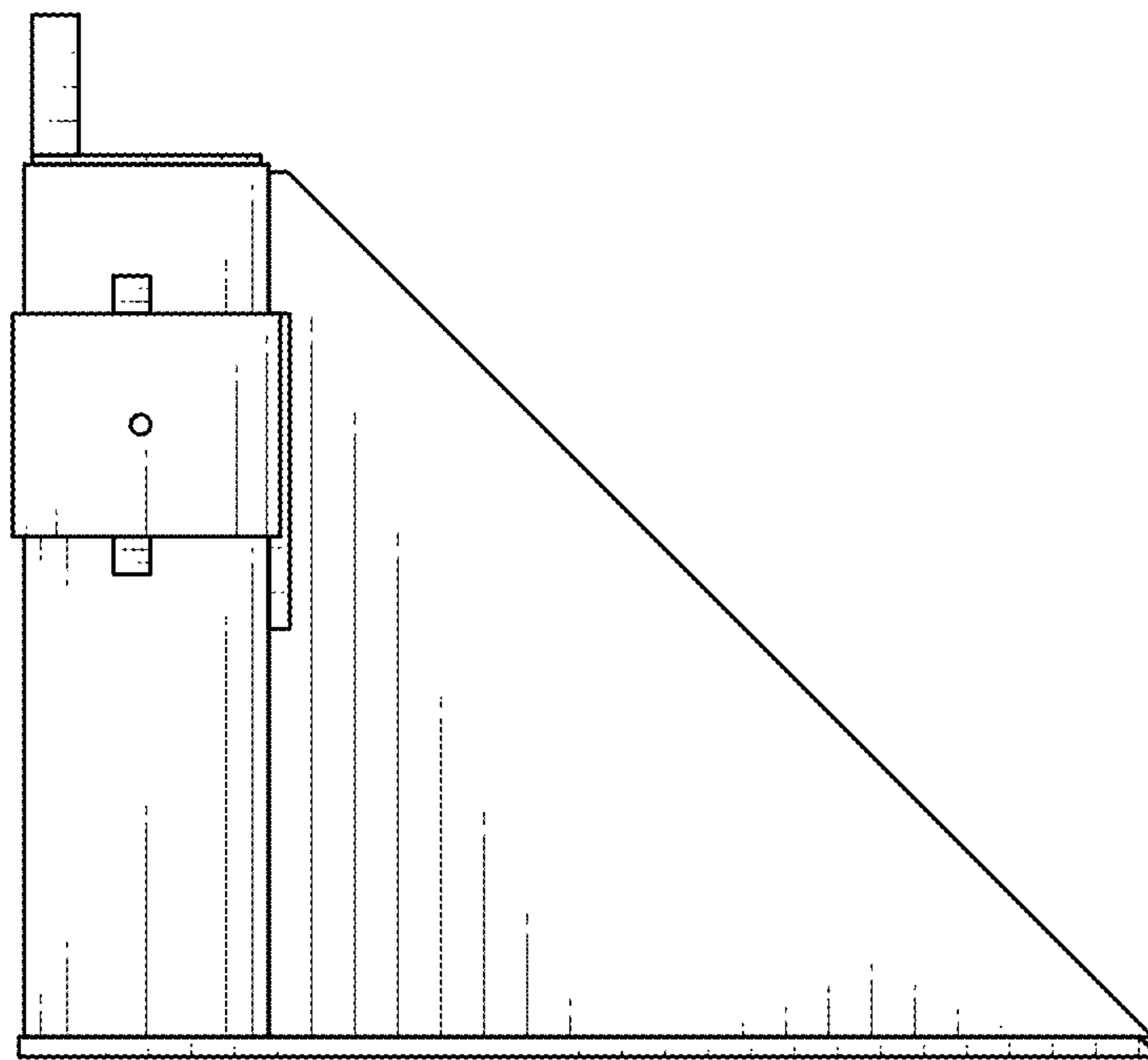


FIG. 7



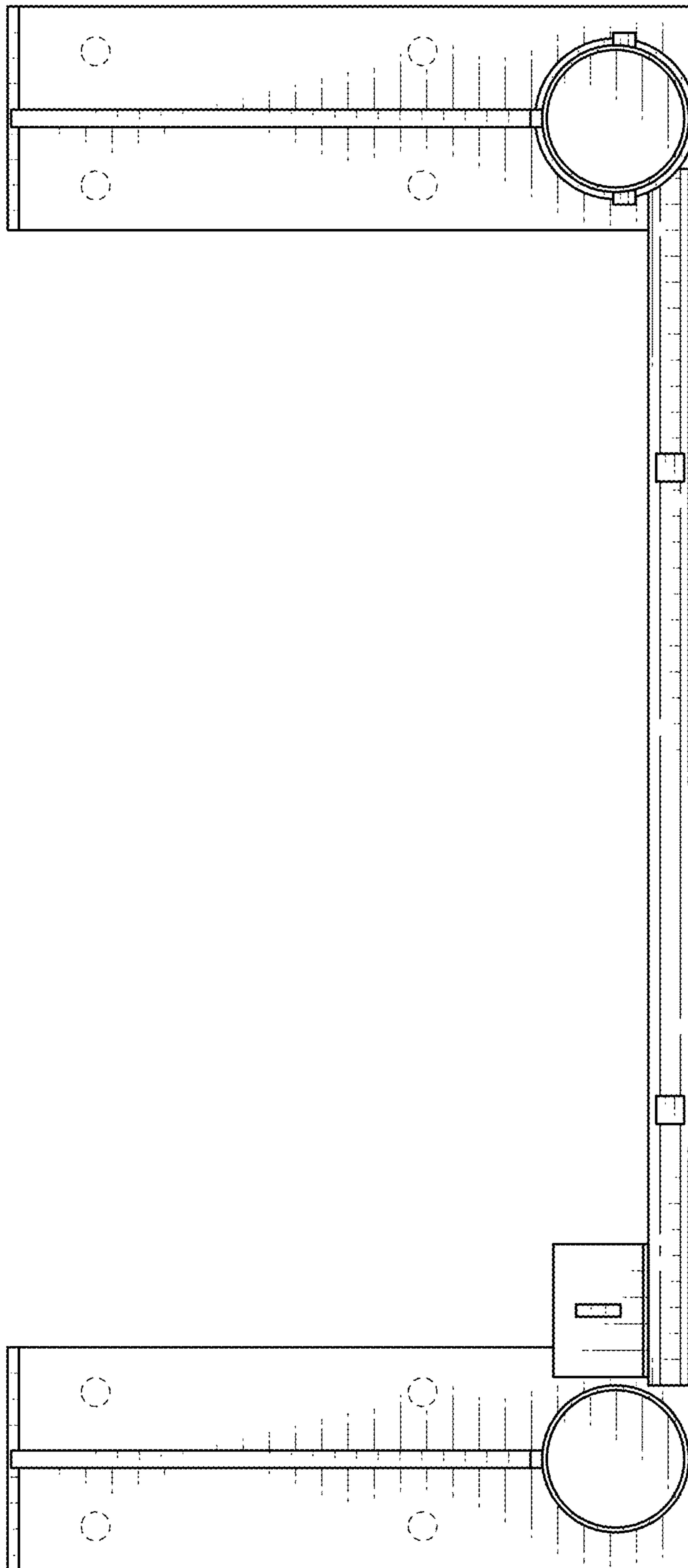


FIG. 8

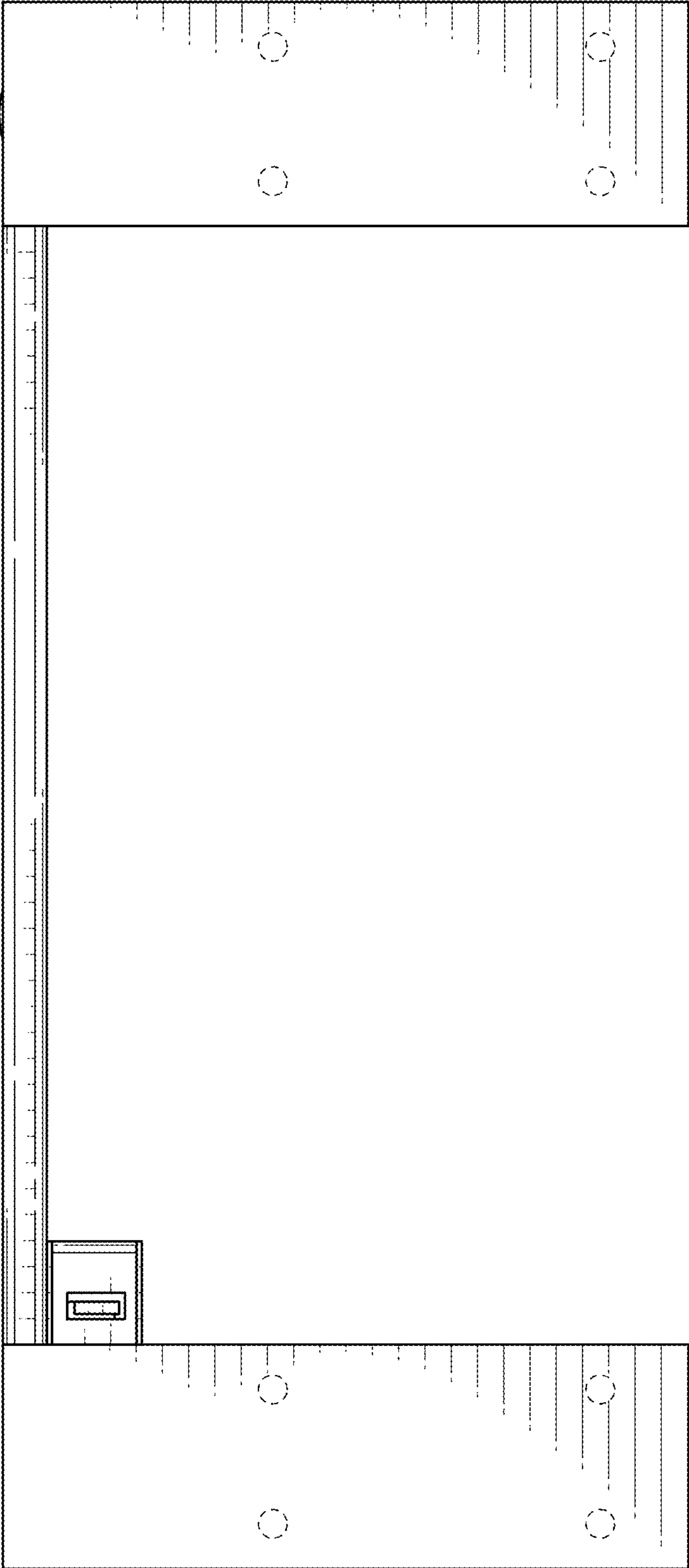


FIG. 9

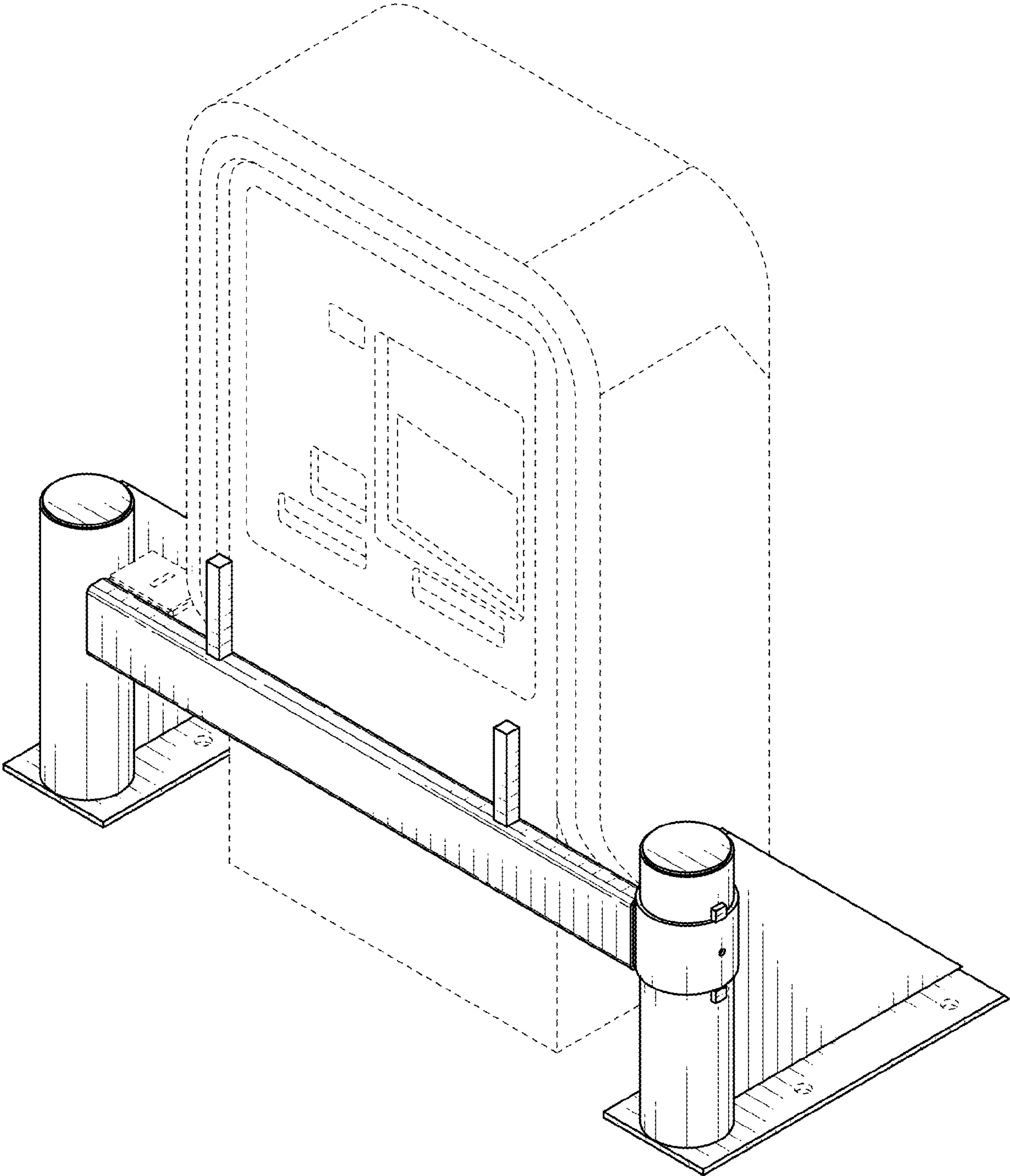


FIG. 10

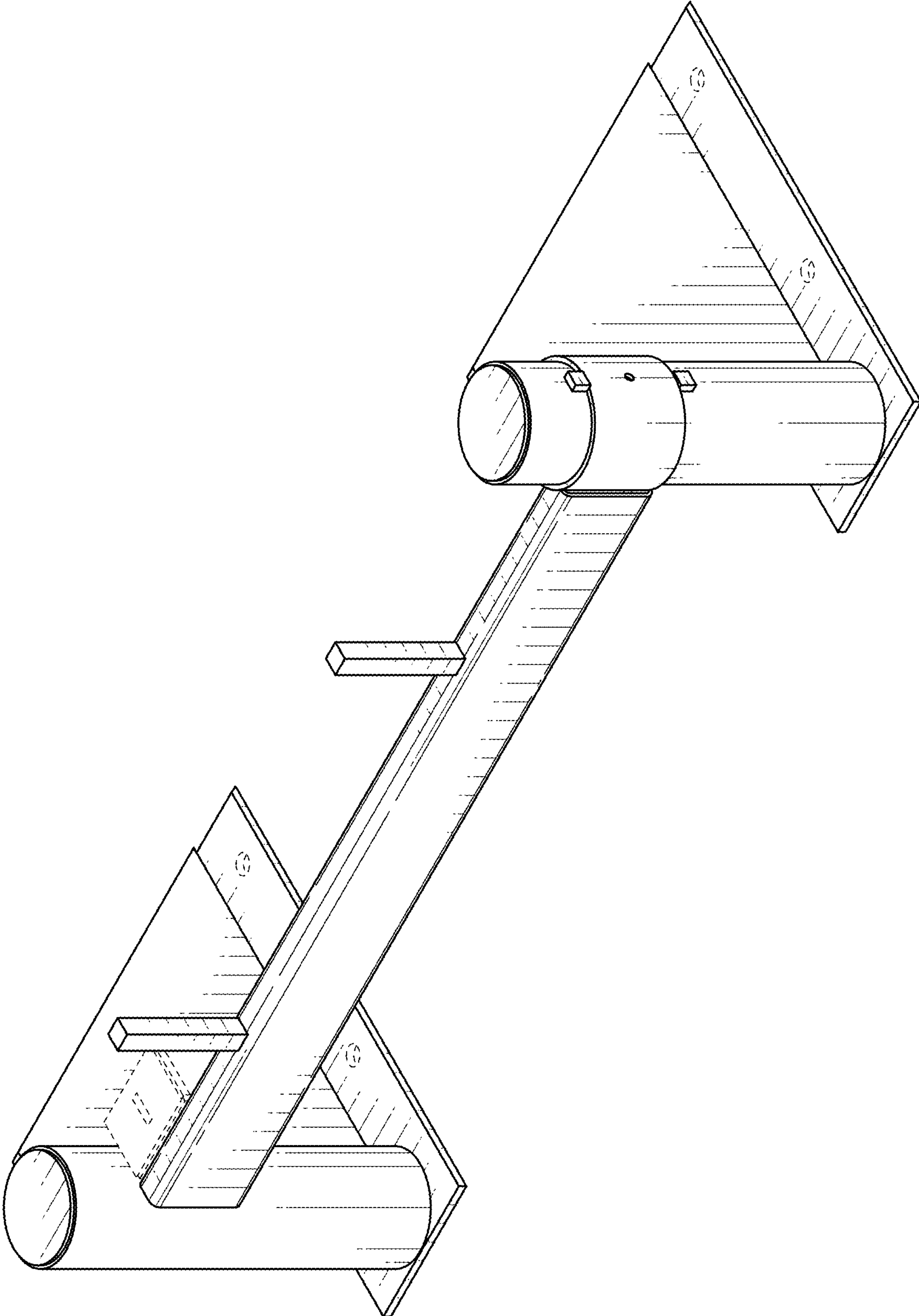


FIG. 11

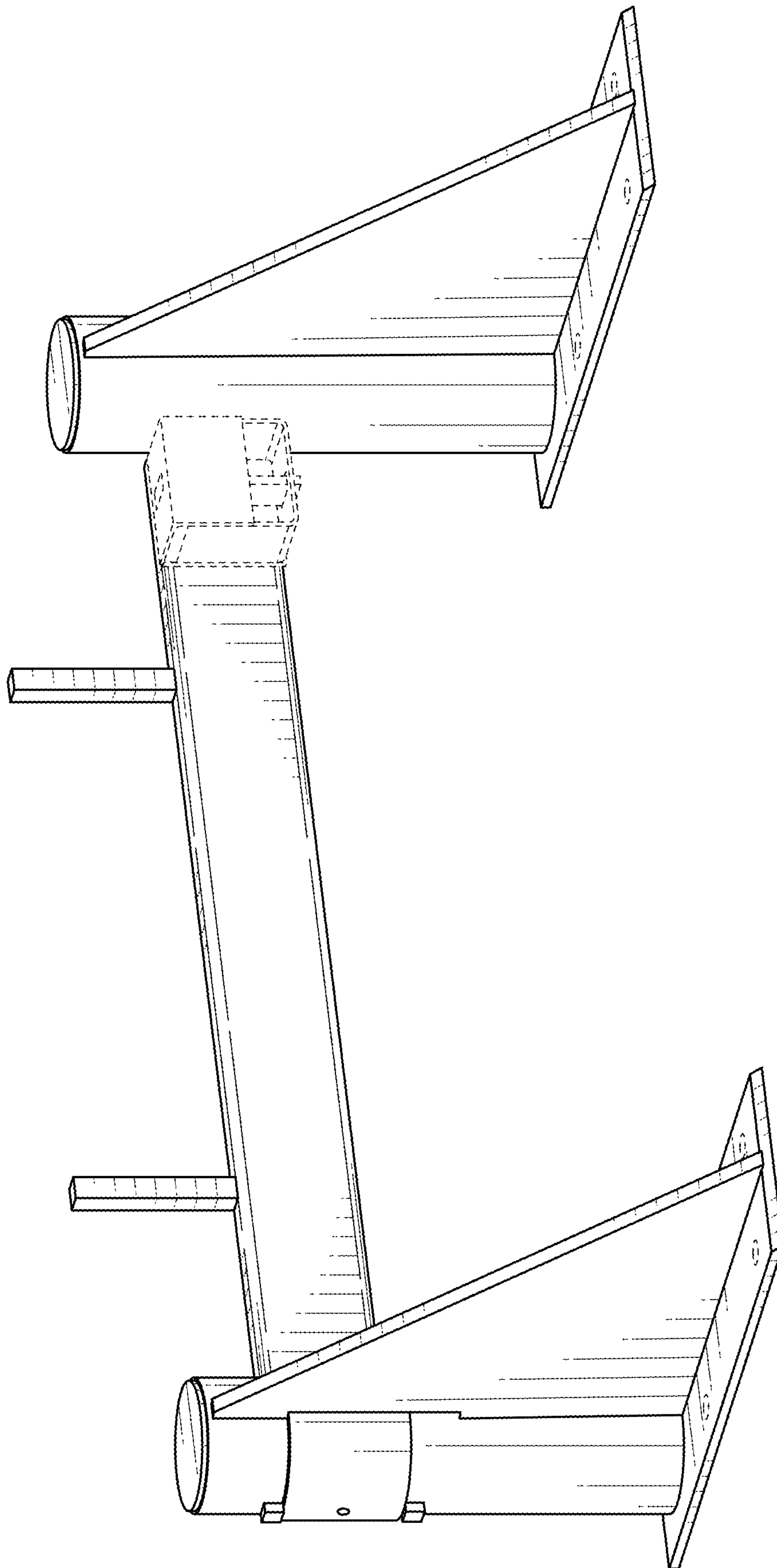


FIG. 12



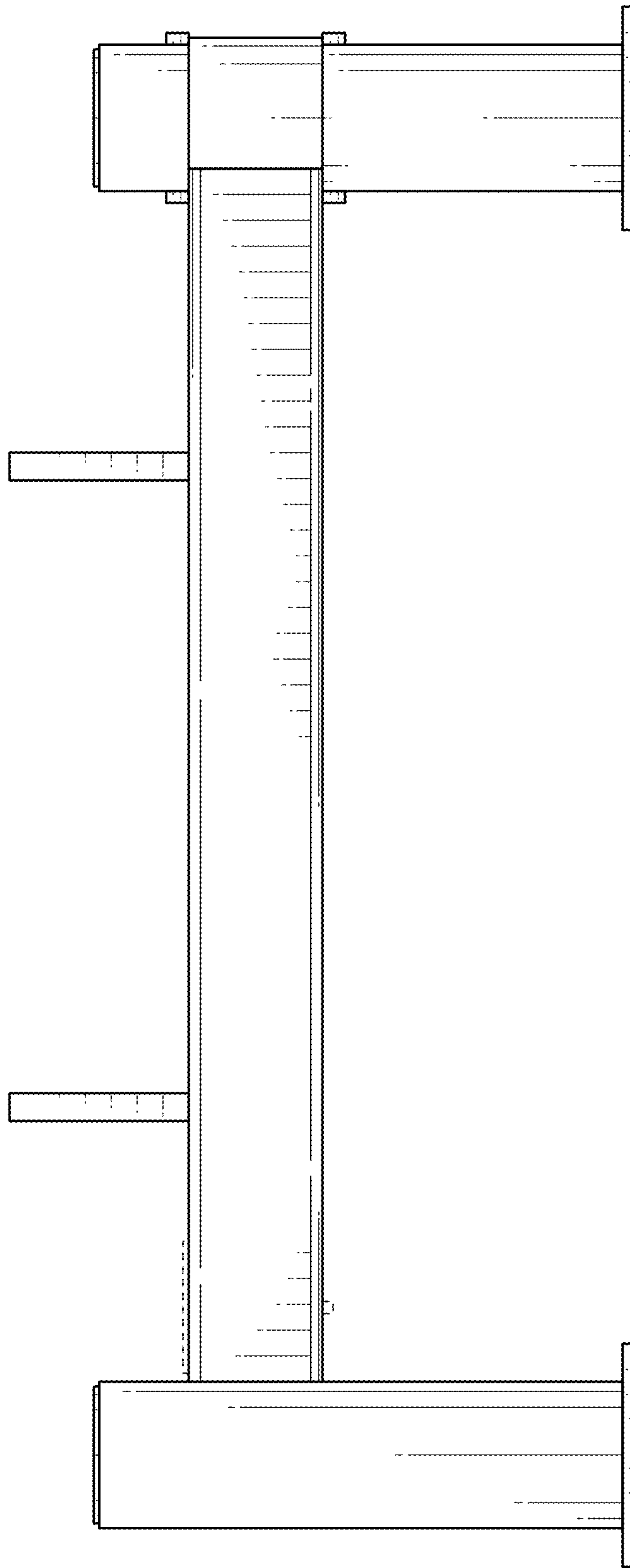


FIG. 13

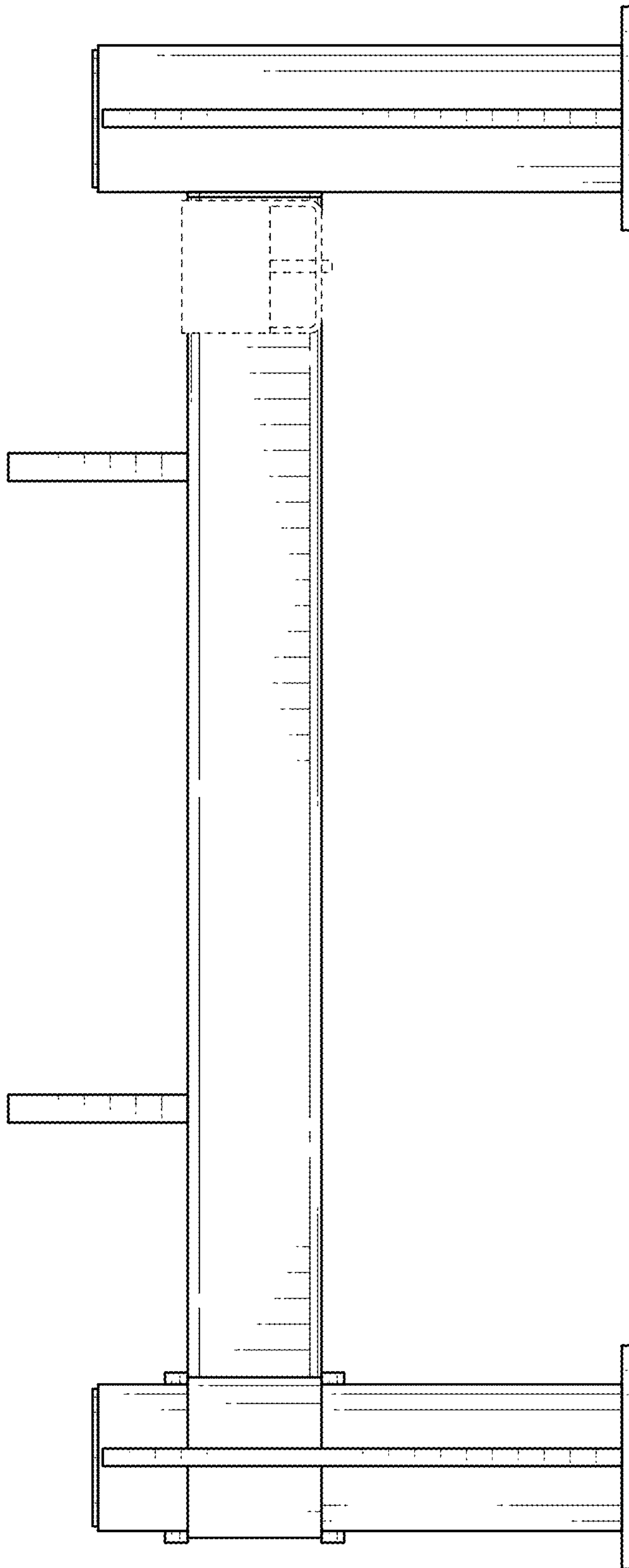


FIG. 14

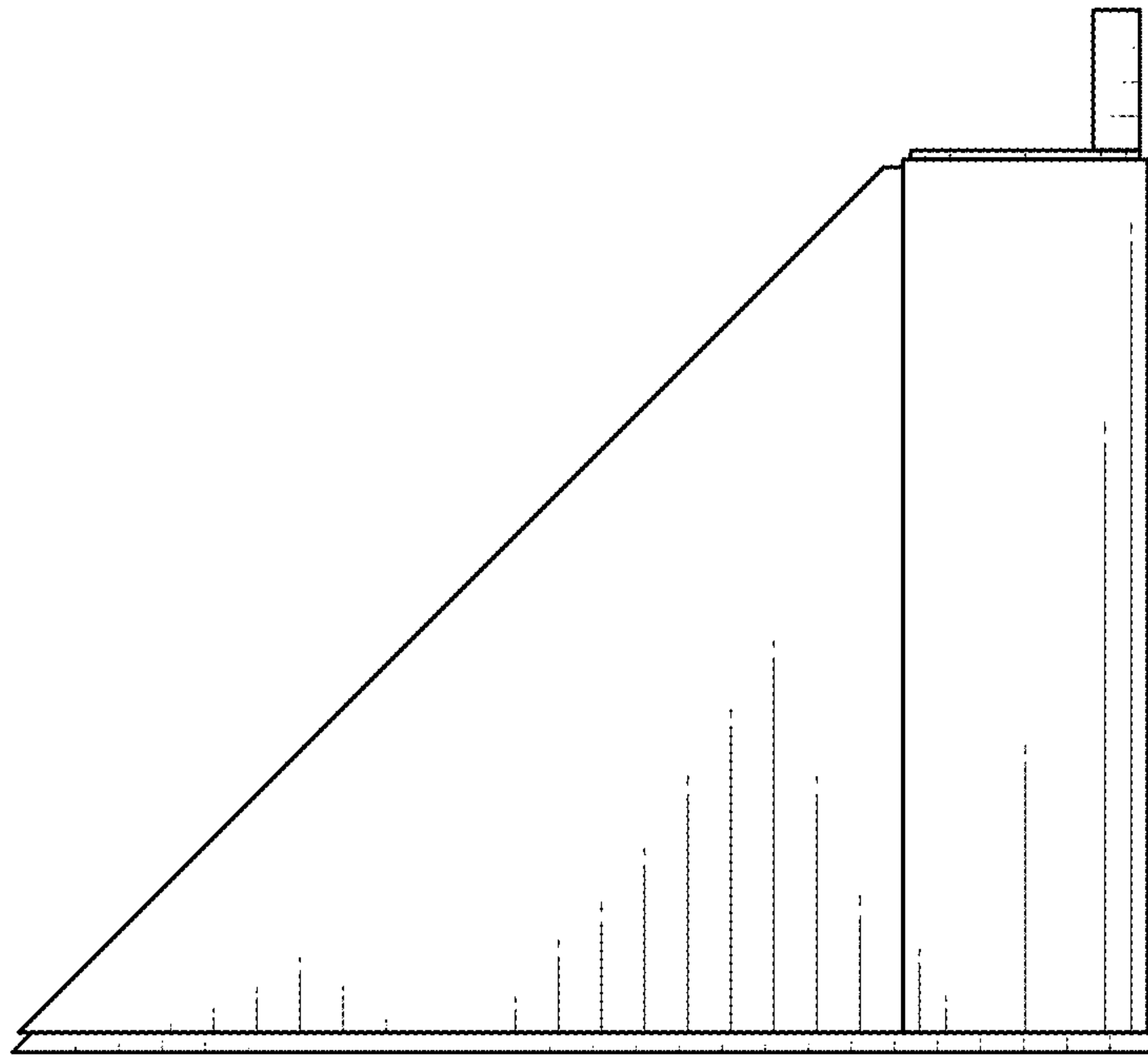


FIG. 15

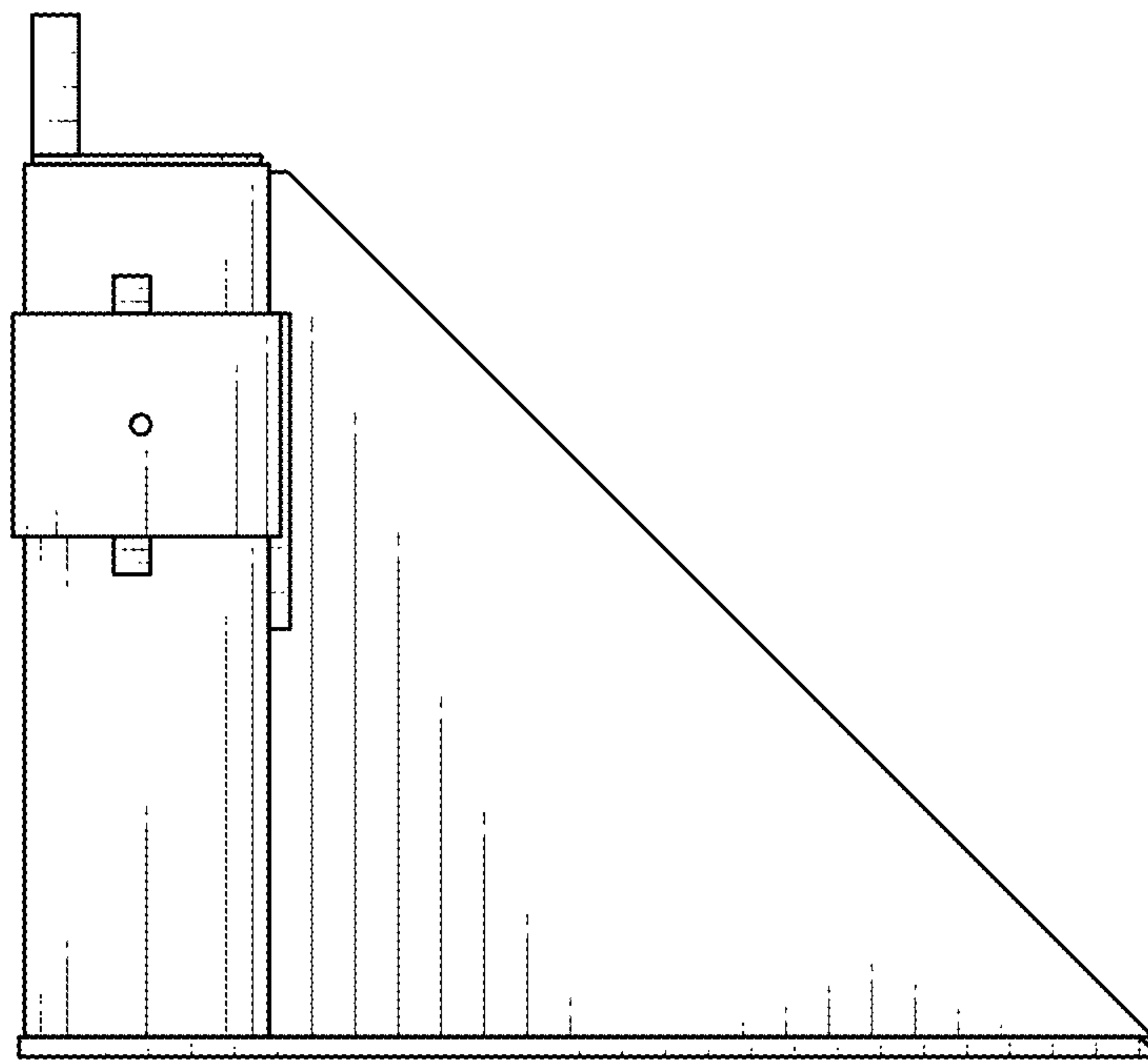


FIG. 16

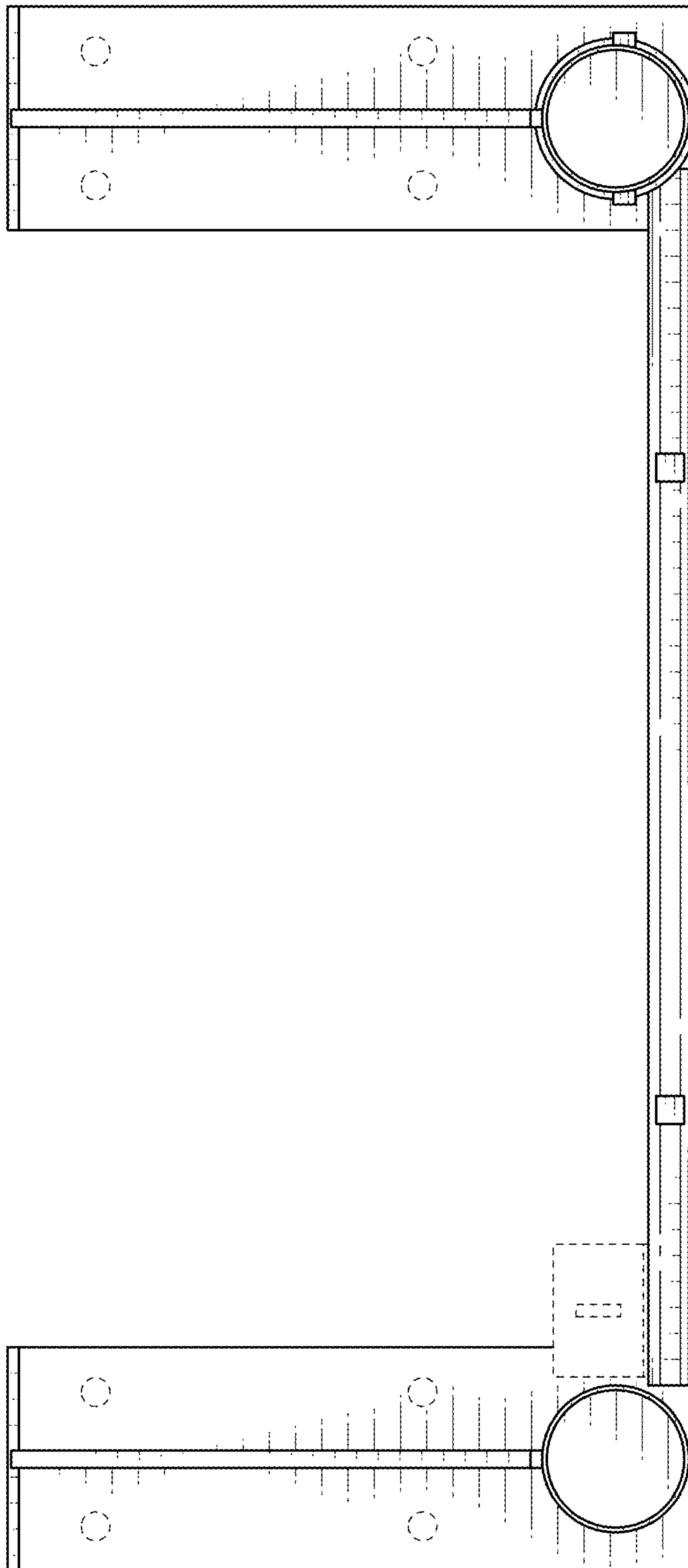


FIG. 17

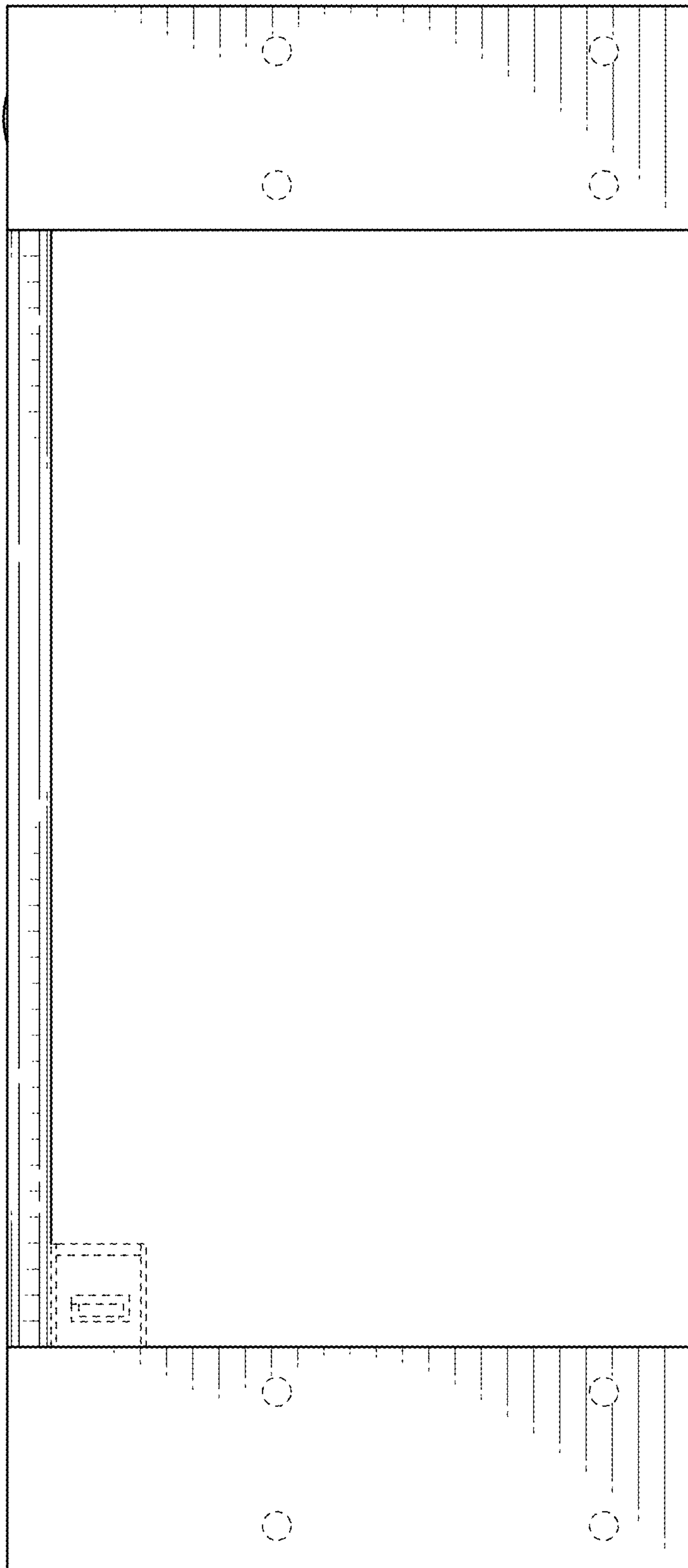


FIG. 18