



US00D925772S

(12) **United States Design Patent**
Hubert

(10) **Patent No.:** **US D925,772 S**
(45) **Date of Patent:** **** Jul. 20, 2021**

- (54) **MANHOLE COVER REMOVER**
- (71) Applicant: **Joseph L. Hubert**, Sparta, NJ (US)
- (72) Inventor: **Joseph L. Hubert**, Sparta, NJ (US)
- (**) Term: **15 Years**
- (21) Appl. No.: **29/698,698**
- (22) Filed: **Jul. 18, 2019**
- (51) **LOC (13) Cl.** **08-05**
- (52) **U.S. Cl.**
USPC **D25/36**
- (58) **Field of Classification Search**
USPC ... D8/21, 22, 26, 27, 51, 52, 55, 56, 58, 59,
D8/71-74, 105, 106, 330, 499; D25/35,
D25/36
CPC B66F 19/00; B66F 19/005; E02D 29/1445
See application file for complete search history.

D583,067	S	*	12/2008	Gagas	D25/36
9,815,675	B1	*	11/2017	Gray	B66F 19/005
10,480,151	B1	*	11/2019	Crites	E02D 29/1445
D878,634	S	*	3/2020	Collins	D25/36
2003/0235487	A1	*	12/2003	Roberts	B66F 19/005
						414/490
2007/0269267	A1	*	11/2007	Roberts	B66F 19/005
						404/73
2011/0084540	A1	*	4/2011	Cochran	E01C 23/094
						299/18

* cited by examiner

Primary Examiner — Leanne Was-Englehart
(74) *Attorney, Agent, or Firm* — Scott H. Kaliko, Esq.;
Kaliko & Associates, LLC

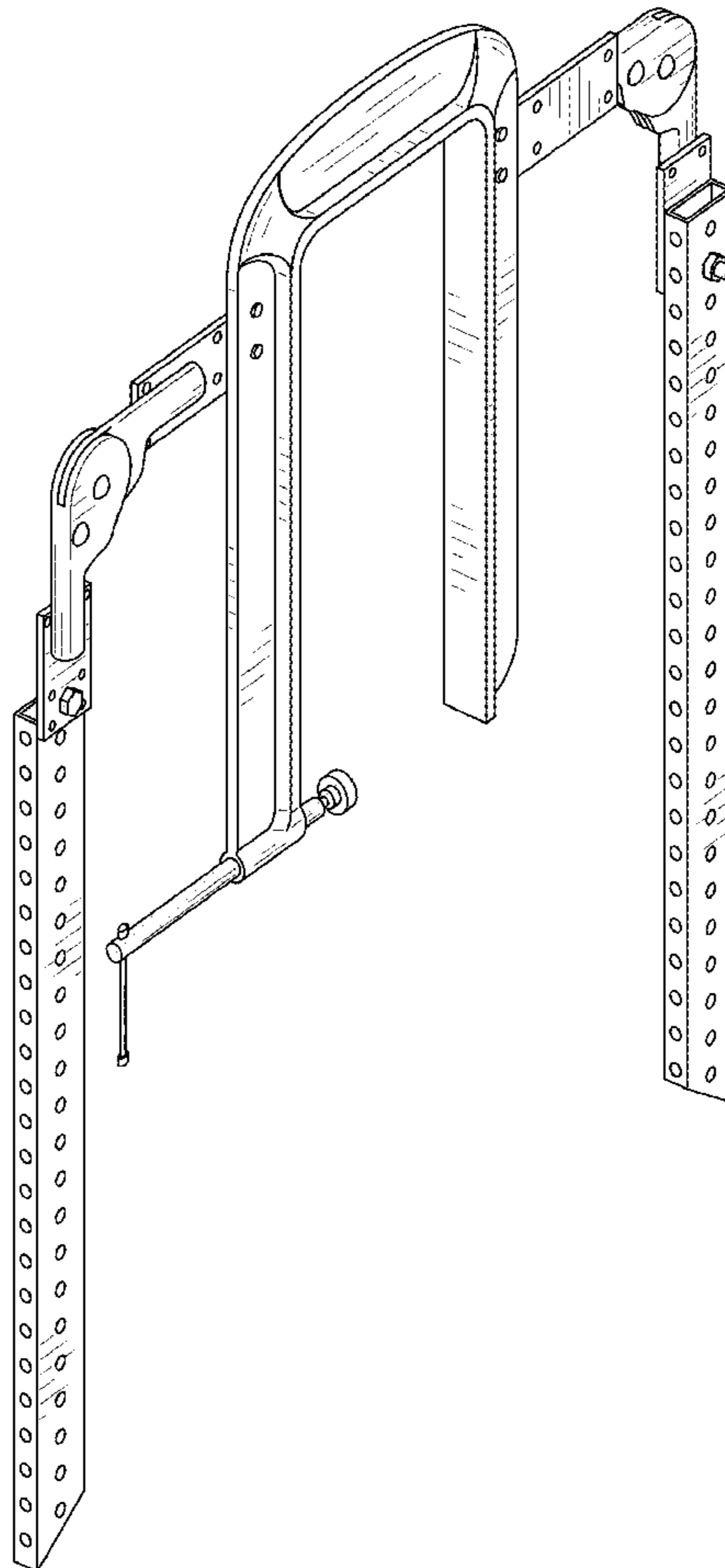
(57) **CLAIM**
The ornamental design for a manhole cover remover, as shown and described.

DESCRIPTION

FIG. 1 is a perspective view of a manhole cover remover; FIG. 2 is another front view of thereof; FIG. 3 is another back view of thereof; FIG. 4 is a side view of thereof; FIG. 5 is a side view of thereof; FIG. 6 is a top view thereof; and, FIG. 7 is a bottom view thereof.

1 Claim, 5 Drawing Sheets

- (56) **References Cited**
U.S. PATENT DOCUMENTS
2,086,318 A * 7/1937 Jackson B66F 19/005
414/451
2,599,938 A * 6/1952 Price B66F 19/005
294/15



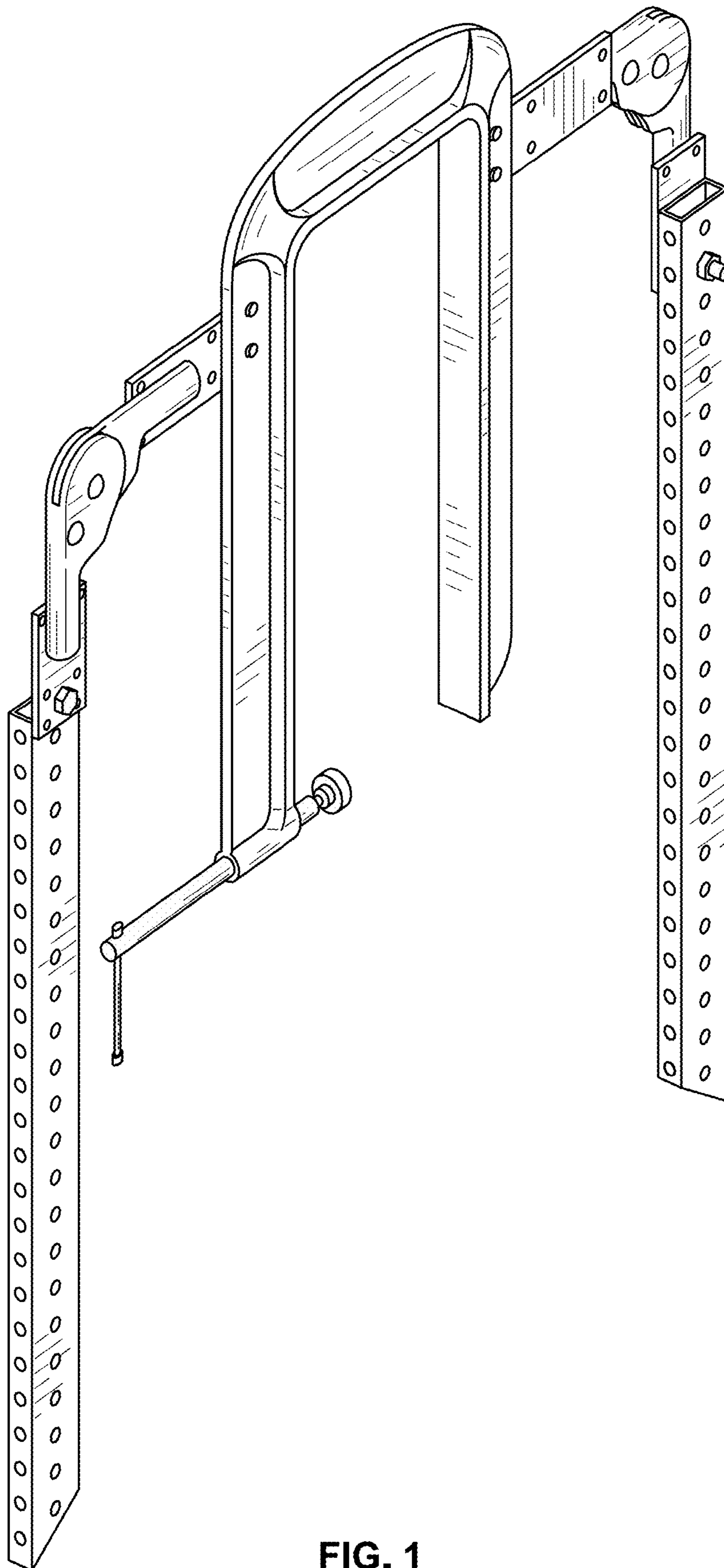


FIG. 1

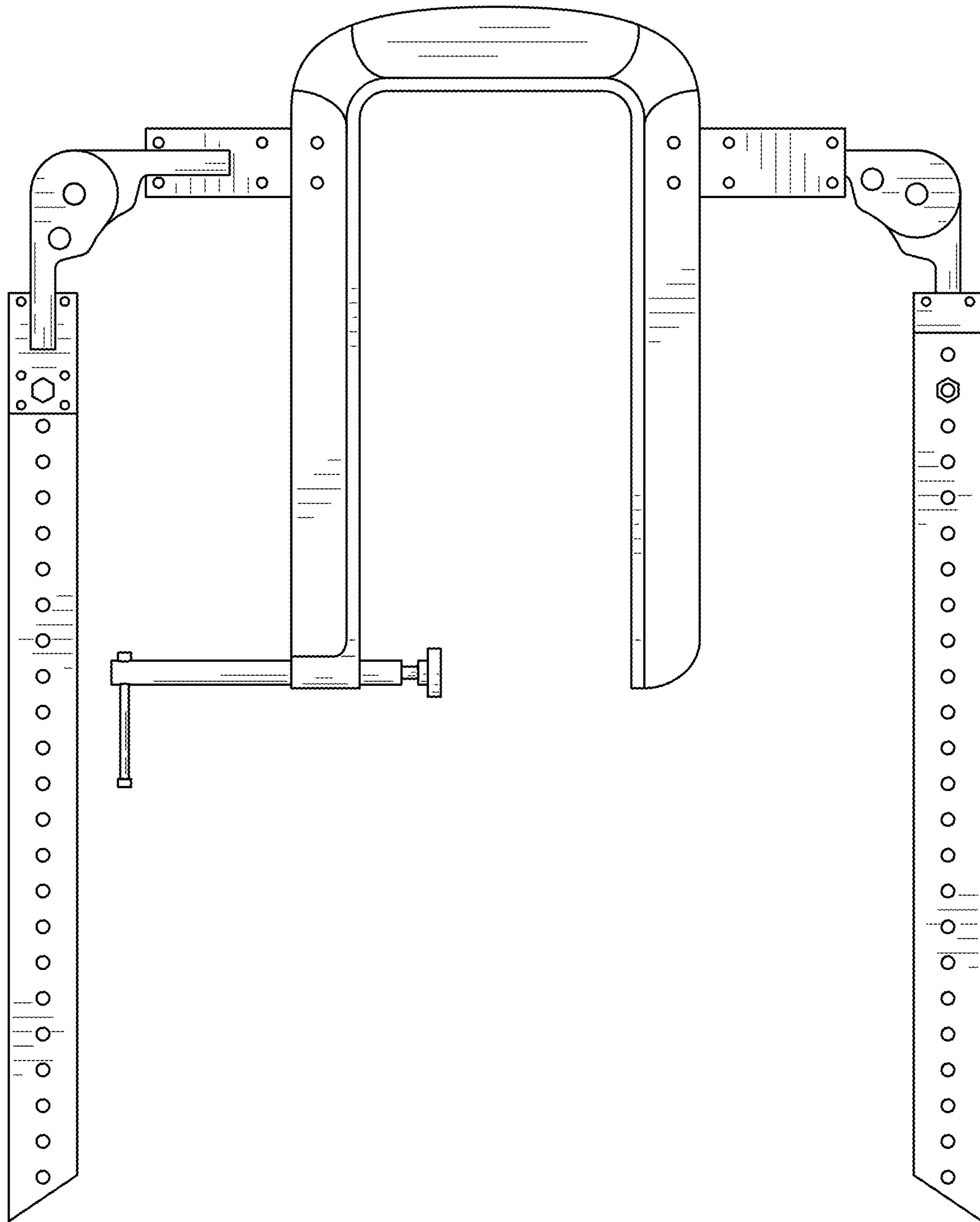


FIG. 2

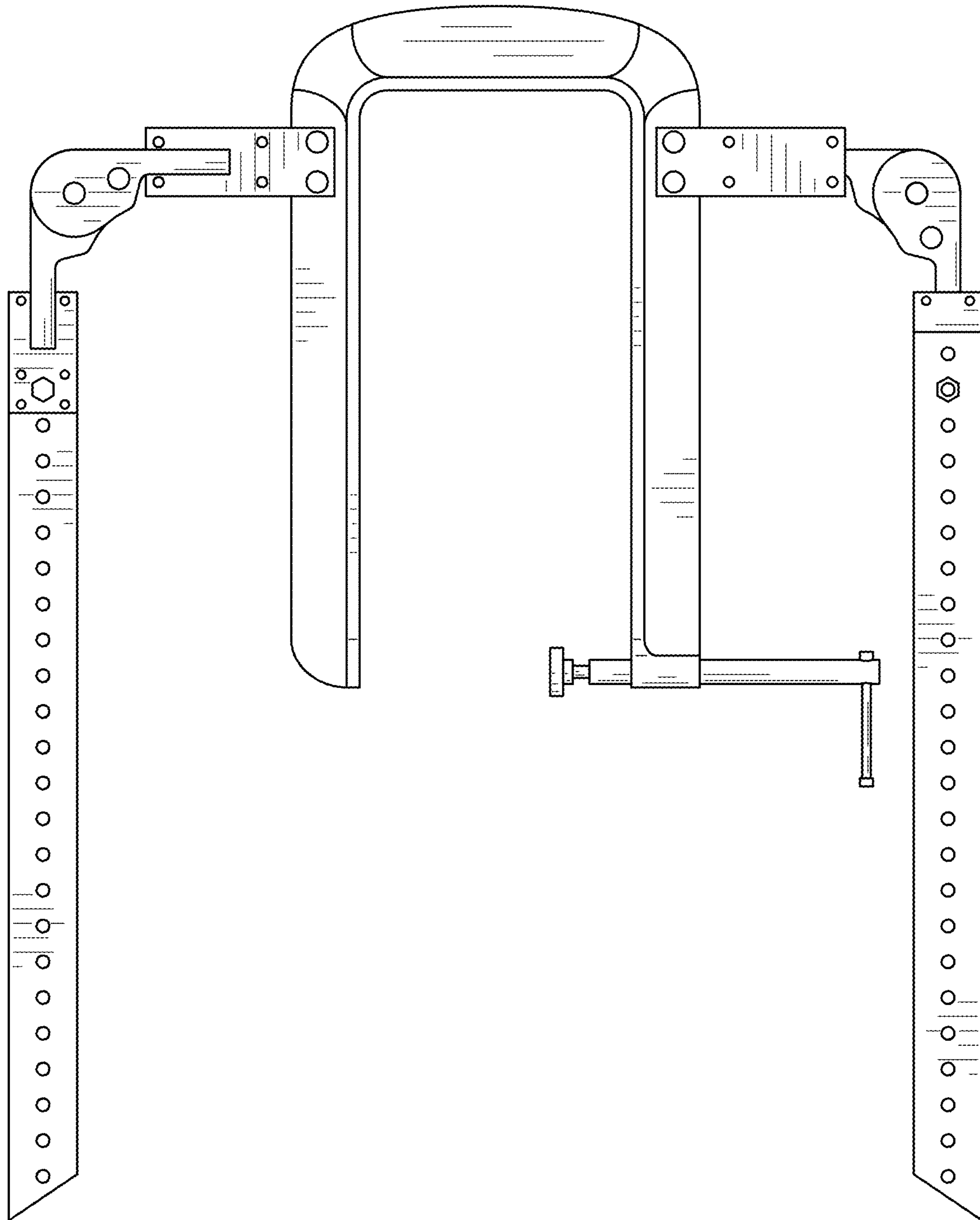


FIG. 3

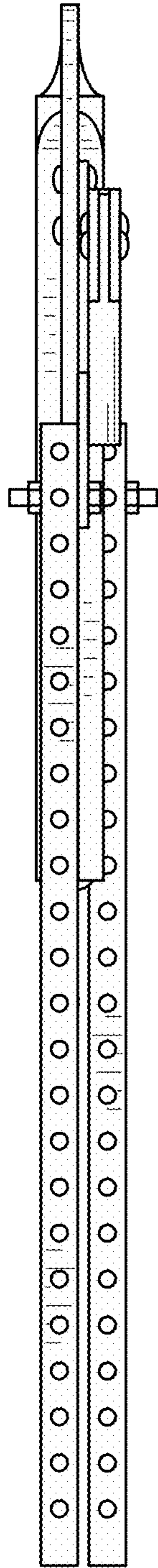


FIG. 4

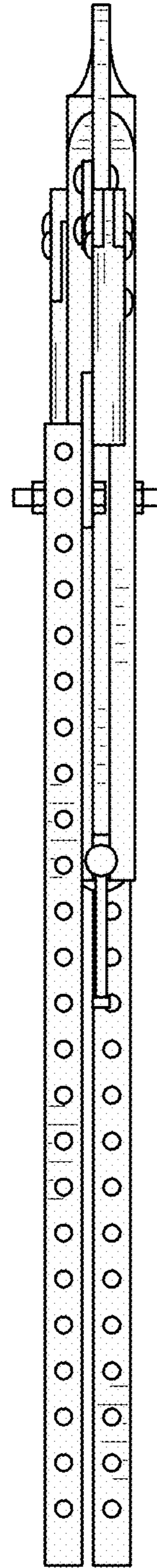


FIG. 5

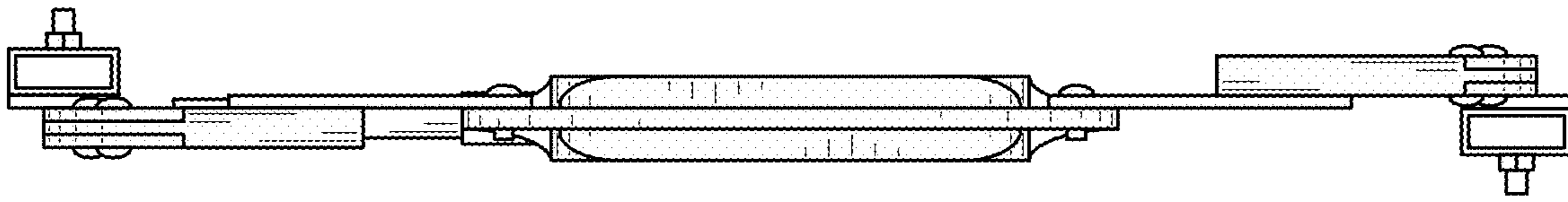


FIG. 6

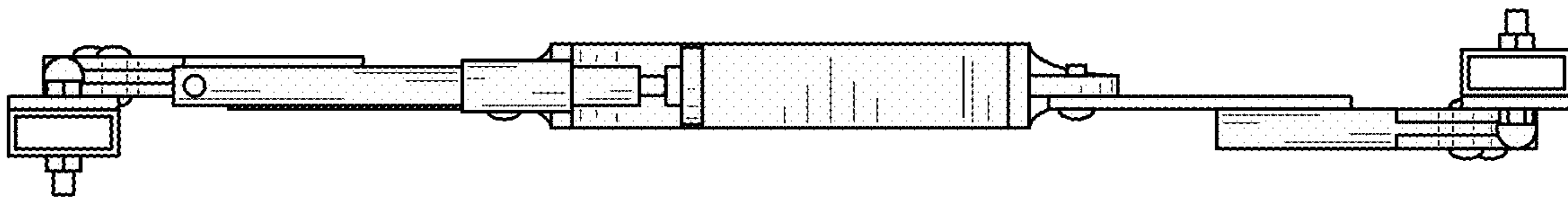


FIG. 7