



US00D925768S

(12) **United States Design Patent** (10) **Patent No.:** **US D925,768 S**  
**Allegoren et al.** (45) **Date of Patent:** **\*\* Jul. 20, 2021**

(54) **LIGHT VISOR FOR SEQUENCING INSTRUMENT**

(71) Applicant: **Illumina, Inc.**, San Diego, CA (US)

(72) Inventors: **Erik Allegoren**, San Diego, CA (US);  
**Erik Williamson**, San Diego, CA (US);  
**Jack Godfrey-Wood**, San Diego, CA (US)

(73) Assignee: **Illumina, Inc.**, San Diego, CA (US)

(\*\*) Term: **15 Years**

(21) Appl. No.: **29/717,775**

(22) Filed: **Dec. 19, 2019**

(51) **LOC (13) Cl.** ..... **24-01**

(52) **U.S. Cl.**  
USPC ..... **D24/232**

(58) **Field of Classification Search**  
USPC ..... D24/107, 169, 185, 186, 216-219,  
D24/231-234; D10/81  
CPC ..... G01N 2035/00306; G01N 2035/00326;  
G01N 2035/00336; G01N 2030/027;  
G01N 21/6458; G01N 21/6484; G01N  
21/6486; G01N 21/76; G01N 35/025;  
G01N 35/1085; G01N 2021/6432; C12Q  
1/6869; C12Q 1/6806

See application file for complete search history.

(56) **References Cited**

**U.S. PATENT DOCUMENTS**

D621,523 S \* 8/2010 Onuma ..... D24/234  
D646,189 S \* 10/2011 Dinter ..... D10/81  
D649,075 S \* 11/2011 Chan ..... D10/81  
D661,607 S \* 6/2012 Dinter ..... D10/81  
D662,431 S \* 6/2012 Kimura ..... D10/81  
D689,196 S \* 9/2013 Marmier ..... D24/232  
D729,405 S 5/2015 Ramstad et al.  
D735,883 S 8/2015 Bauer et al.  
D737,459 S 8/2015 Kurihara et al.

D774,659 S 12/2016 Quackenbush et al.  
D782,690 S 3/2017 Kurihara  
D794,211 S 8/2017 Ang et al.  
D800,000 S \* 10/2017 Barton ..... D24/216  
D841,478 S \* 2/2019 Smith ..... D9/560  
D843,005 S 3/2019 Kobeli et al.  
D848,020 S 5/2019 Kobeli et al.  
D855,823 S 8/2019 Williamson et al.

(Continued)

**FOREIGN PATENT DOCUMENTS**

JP D2017-501683 \* 10/2018

**OTHER PUBLICATIONS**

MGI launches first “benchtop” sequencing laboratory and automation products. MGI. Oct. 25, 2019.\*

(Continued)

*Primary Examiner* — Anhdao Doan

(74) *Attorney, Agent, or Firm* — Heslin Rothenberg Farley & Mesiti, P.C.

(57) **CLAIM**

We claim the ornamental design for a light visor for sequencing instrument, as shown and described.

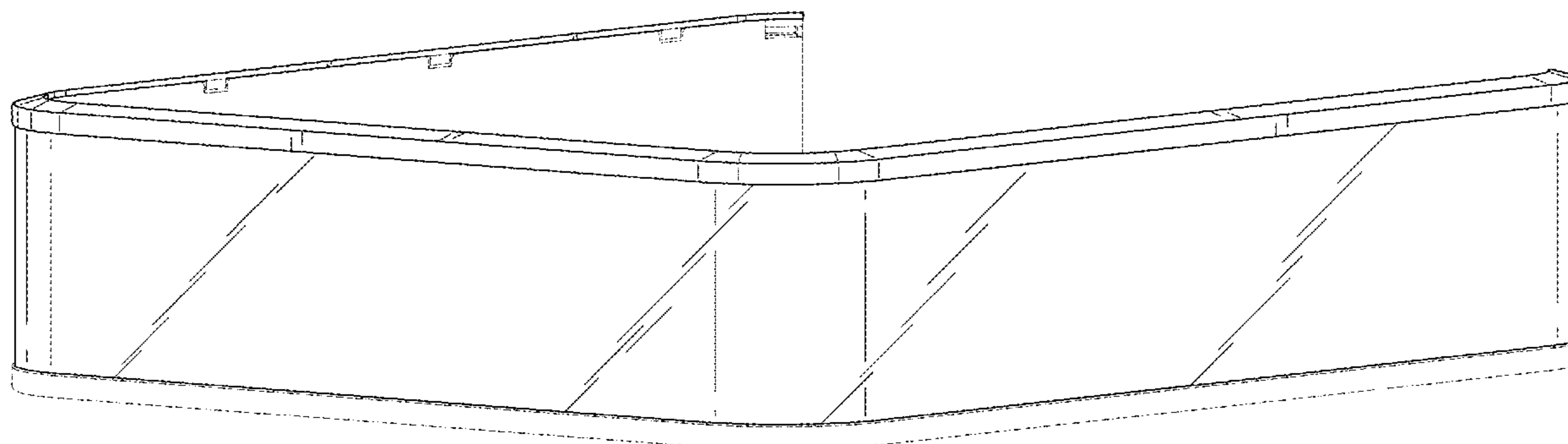
**DESCRIPTION**

FIG. 1 is a front perspective view of the light visor for sequencing instrument comprising our new design; FIG. 2 is a front elevational view thereof; FIG. 3 is a right side elevational view thereof; and, FIG. 4 is a top plan view thereof.

The left side elevational view of the design shown in FIG. 1 is identical to FIG. 3.

The broken lines shown in the drawings illustrate portions of the light visor for sequencing instrument that form no part of the claimed design. The oblique shade lines indicate a translucent surface.

**1 Claim, 4 Drawing Sheets**



(56)

**References Cited**

U.S. PATENT DOCUMENTS

D865,998 S \* 11/2019 Mellett ..... D24/234  
2020/0110108 A1 4/2020 Cox-Muranami et al.  
2020/0171502 A1 6/2020 Kumar et al.

OTHER PUBLICATIONS

Allegoren et al., "Sequencing Instrument", U.S. Appl. No. 29/717,774,  
filed Dec. 19, 2019.

Allegoren et al., "Sequencing Instrument", U.S. Appl. No. 29/717,776,  
filed Dec. 19, 2019.

Dye et al., "Sequencing Instrument Light Visor", U.S. Appl. No.  
29/720,284, filed Jan. 10, 2020.

\* cited by examiner

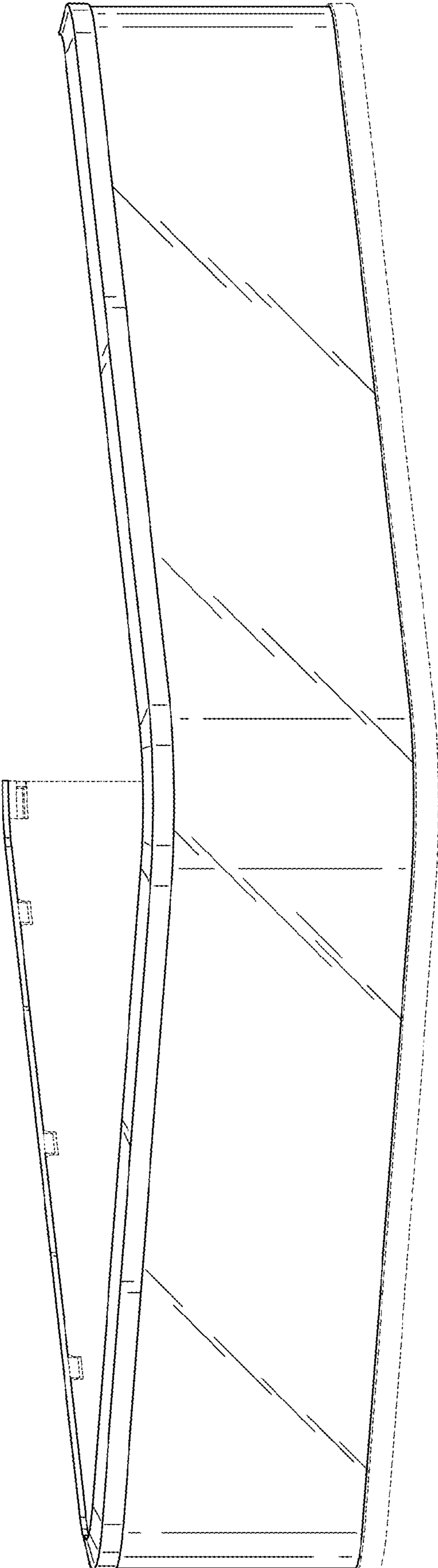


FIG. 1

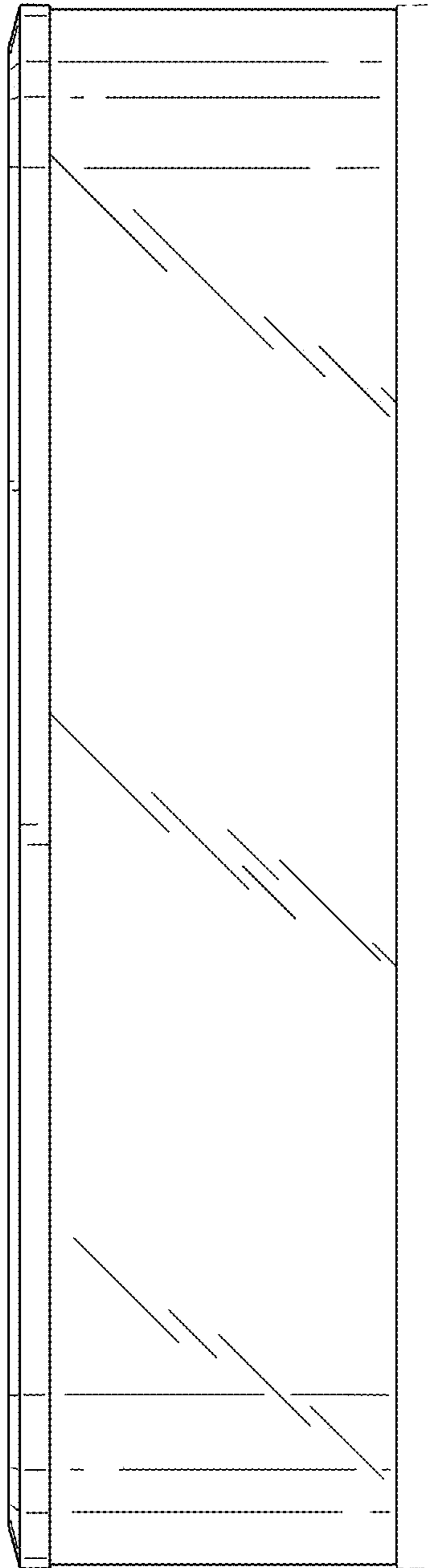


FIG. 2

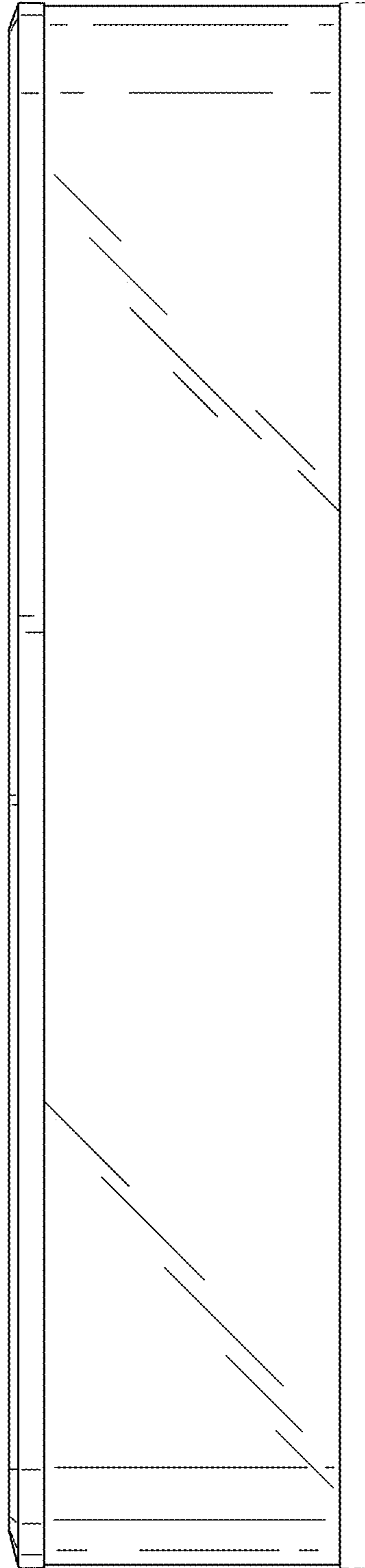


FIG. 3

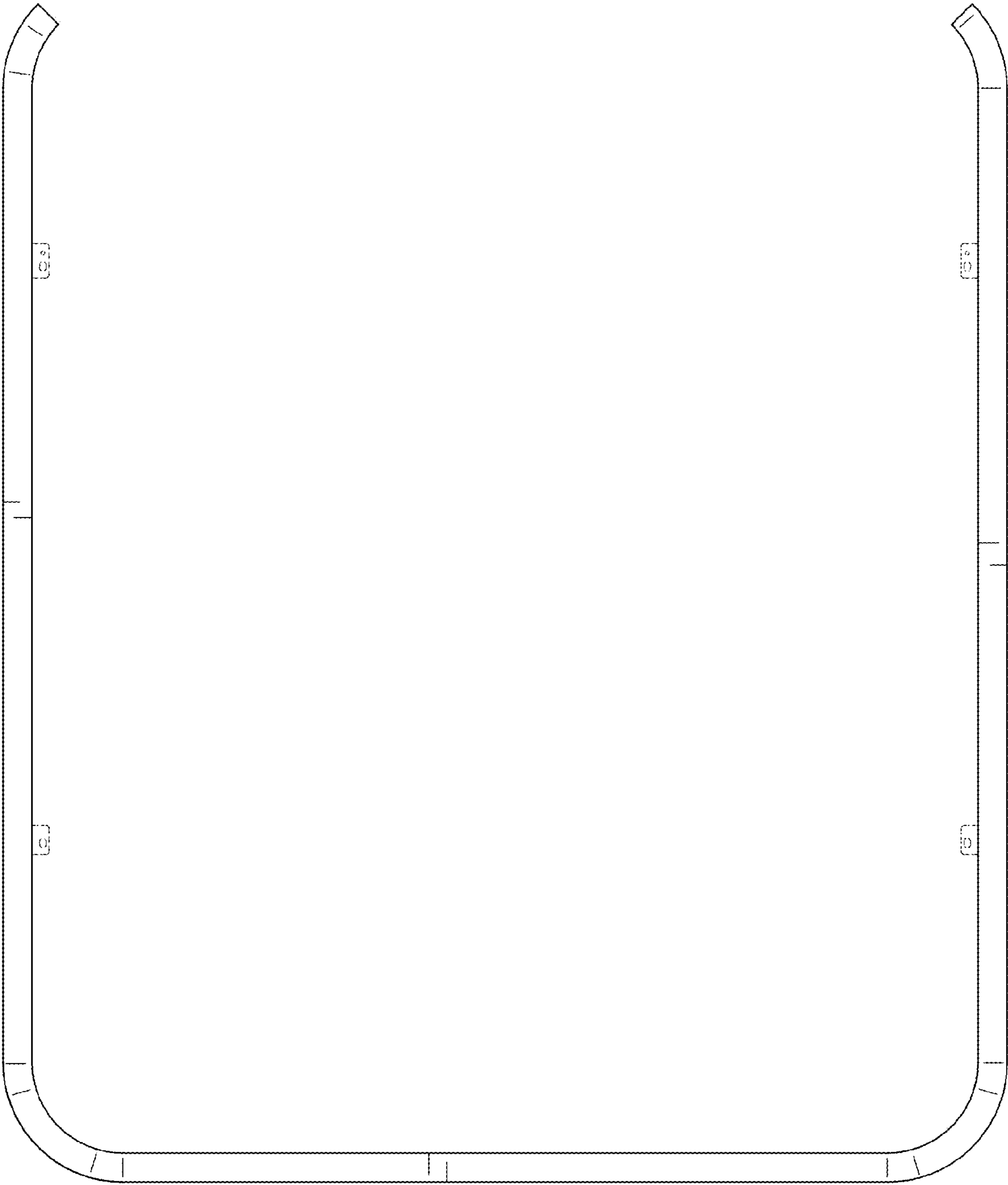


FIG. 4

UNITED STATES PATENT AND TRADEMARK OFFICE  
**CERTIFICATE OF CORRECTION**


PATENT NO. : D925,768 S  
APPLICATION NO. : 29/717775  
DATED : July 20, 2021  
INVENTOR(S) : Allegoren et al.

Page 1 of 1

It is certified that error appears in the above-identified patent and that said Letters Patent is hereby corrected as shown below:

On the Title Page

Item (72) Delete "Godfrey-Wood" and insert -- Godfrey Wood --

Signed and Sealed this  
Sixth Day of December, 2022  
  
Katherine Kelly Vidal  
*Director of the United States Patent and Trademark Office*