



US00D925767S

(12) **United States Design Patent** (10) **Patent No.:** **US D925,767 S**  
**Rapier et al.** (45) **Date of Patent:** **\*\* Jul. 20, 2021**

(54) **STORAGE RACK FOR STERILE PACKAGING**

FOREIGN PATENT DOCUMENTS

(71) Applicant: **DEPUY SYNTHES PRODUCTS, INC.**, Raynham, MA (US)

DE 9101408 U1 6/1992  
IN 286865 \* 9/2016  
WO 2009024189 A2 2/2009

(72) Inventors: **Rhett A. Rapier**, Trimbach (CH); **Peter Schmid**, Zuchwil (CH); **Roland Huber**, Hagglingen (CH); **John Anastasiadis**, Tinton Falls, NJ (US)

OTHER PUBLICATIONS

(73) Assignee: **DEPUY SYNTHES PRODUCTS, INC.**, Raynham, MA (US)

Scienceware F18745-0011 Switch-Grid Test Tube Rack, Holds 13-16mm Tubes, Blue. Online, published date unknown. Retrieved on May 20, 2020 from URL: [https://www.coleparmer.com/i/scienceware-f18745-0011-switch-grid-test-tube-rack-holds-13-16mm-tubes-blue/0673613?PubID=UX&persist=true&ip=no&gclid=EAlalQobChMI6sbA9dPD6QI.\\*](https://www.coleparmer.com/i/scienceware-f18745-0011-switch-grid-test-tube-rack-holds-13-16mm-tubes-blue/0673613?PubID=UX&persist=true&ip=no&gclid=EAlalQobChMI6sbA9dPD6QI.*)

(\*\*) Term: **15 Years**

(Continued)

(21) Appl. No.: **29/686,092**

*Primary Examiner* — Janice Hallmark

(22) Filed: **Apr. 2, 2019**

*Assistant Examiner* — Omeed Agilee

(51) **LOC (13) Cl.** ..... **24-02**

(74) *Attorney, Agent, or Firm* — Kramer Amado PC

(52) **U.S. Cl.**  
USPC ..... **D24/230**

(58) **Field of Classification Search**  
USPC ..... D24/107, 169, 186, 216, 223-230, 121;  
D9/756-758  
CPC ..... B01L 9/06; B01L 3/502  
See application file for complete search history.

(57) **CLAIM**

The ornamental design for a storage rack for sterile packaging, as shown and described.

(56) **References Cited**

**DESCRIPTION**

U.S. PATENT DOCUMENTS

118,451 A	8/1871	Harris	
742,581 A	10/1903	Burtch	
857,763 A	6/1907	Smith	
1,092,156 A	4/1914	Mathis	
1,733,868 A	10/1929	Durell	
2,046,864 A	7/1936	Baker	
D169,077 S	3/1953	Mains	
2,637,299 A	5/1953	Salkey	
2,815,863 A	12/1957	Larson	
D185,807 S	8/1959	Antle	
2,979,210 A *	4/1961	Patterson	..... B01L 9/06 211/74
3,298,531 A	1/1967	Wilcke	
3,480,152 A	11/1969	Walsh	
3,643,812 A	2/1972	Mander	

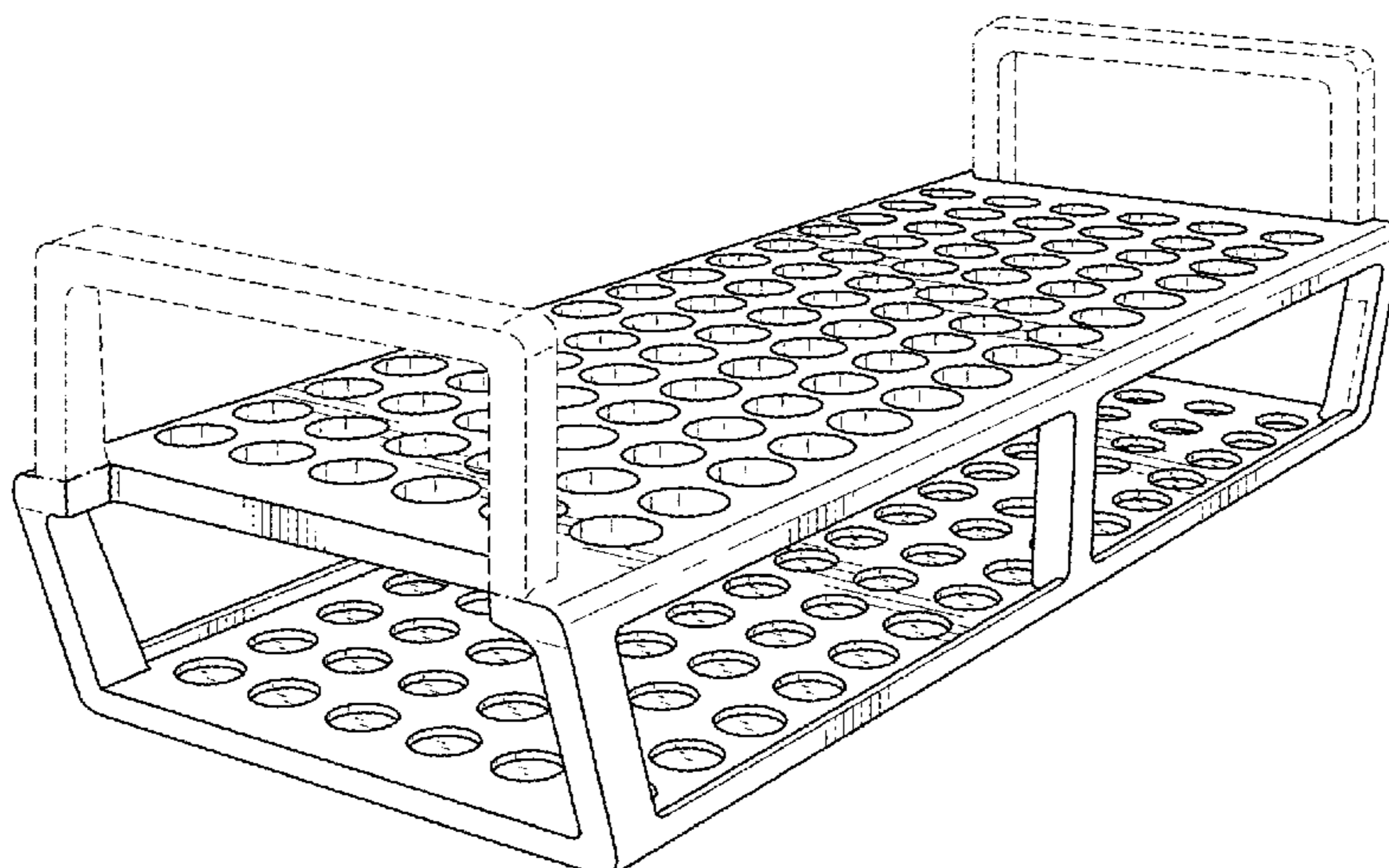
(Continued)

FIG. 1 is a top, front and right perspective view of a storage rack for sterile packaging showing our new design. FIG. 2 is a top plan view thereof; FIG. 3 is a bottom plan view thereof; FIG. 4 is a right side elevational view thereof; FIG. 5 is a left side elevational view thereof; FIG. 6 is a front elevational view thereof; and, FIG. 7 is a rear elevational view thereof.

The broken lines in the drawings depict portions of the storage rack for sterile packaging that form no part of the claimed design.

The dot-dash-dot broken lines in the drawings depict the boundaries of the claim and form no part thereof.

**1 Claim, 3 Drawing Sheets**



(56)

References Cited

U.S. PATENT DOCUMENTS

3,759,538 A 9/1973 Fabiano  
 3,762,594 A 10/1973 Utz  
 3,940,249 A 2/1976 McClurg  
 D240,239 S 6/1976 Calandrino  
 D245,118 S \* 7/1977 Heaton ..... D24/230  
 4,111,754 A 9/1978 Park  
 D250,348 S 11/1978 Frangiosa  
 4,124,122 A 11/1978 Emmitt  
 4,160,803 A 7/1979 Potts  
 D257,390 S \* 10/1980 Hahn ..... D24/230  
 D258,145 S 2/1981 Potts  
 4,284,603 A 8/1981 Korom  
 D265,126 S \* 6/1982 Beall ..... D24/230  
 4,407,958 A \* 10/1983 DeGraff, Jr. .... B01L 9/06  
 211/194  
 4,438,068 A 3/1984 Forrest  
 4,495,150 A 1/1985 Cook  
 D283,946 S 5/1986 Chase  
 D284,700 S 7/1986 Mehra  
 D288,484 S \* 2/1987 Mitchell ..... D24/230  
 4,773,544 A 9/1988 McCarthy  
 4,972,947 A 1/1990 McCarthy  
 5,011,028 A 4/1991 Sweeney  
 D318,332 S \* 7/1991 Allen ..... D24/229  
 5,047,210 A 9/1991 Melet  
 5,080,232 A 1/1992 Leoncavallo  
 5,128,105 A 7/1992 Berthold  
 5,133,939 A 7/1992 Mahe  
 5,244,700 A 9/1993 Banschick  
 5,358,112 A 10/1994 Gardner  
 D360,321 S \* 7/1995 Wang ..... D6/682.2  
 5,456,360 A 10/1995 Griffin  
 5,598,933 A 2/1997 Lessard  
 D387,874 S \* 12/1997 Vila ..... D24/227  
 5,833,250 A 11/1998 Schier  
 5,993,745 A 11/1999 Laska  
 5,996,818 A 12/1999 Boje  
 6,132,684 A 10/2000 Marino  
 6,171,554 B1 1/2001 Kalmakis  
 6,193,892 B1 2/2001 Krueger  
 6,250,480 B1 6/2001 McGuinness  
 6,178,896 B1 11/2001 Houk, Jr.  
 D461,554 S \* 8/2002 Lafond ..... D24/227  
 6,436,351 B1 8/2002 Gubemator  
 6,508,369 B2 1/2003 Wang  
 6,568,544 B1 5/2003 Lafond  
 6,663,836 B1 12/2003 Kalmakis  
 7,036,668 B2 5/2006 Udy  
 7,232,038 B2 6/2007 Whitney  
 D566,851 S \* 4/2008 Hawker ..... D24/230  
 D591,425 S \* 4/2009 Hawker ..... D24/230  
 D624,360 S 9/2010 Leavelle

D638,138 S 5/2011 Wong  
 8,061,517 B2 11/2011 Loeffler et al.  
 D659,850 S 5/2012 Thom  
 D683,046 S \* 5/2013 Yin ..... D24/230  
 8,505,723 B2 8/2013 Clark  
 D785,428 S \* 5/2017 Friesen ..... D8/71  
 9,776,188 B1 10/2017 Kamees  
 D814,653 S \* 4/2018 Shedlosky ..... D24/229  
 10,034,806 B1 7/2018 Greenbaugh, Sr.  
 D848,638 S \* 5/2019 Sims ..... D24/226  
 D849,961 S \* 5/2019 Muller ..... D24/224  
 D867,614 S \* 11/2019 Jones ..... D24/227  
 D882,818 S \* 4/2020 Leimkuehler ..... D24/227  
 10,694,922 B1 \* 6/2020 Audibert ..... A47L 15/505  
 D898,941 S \* 10/2020 Ollar ..... D24/230  
 D900,337 S \* 10/2020 Kamees ..... D24/227  
 D902,433 S \* 11/2020 Livingston ..... D24/227  
 D903,901 S \* 12/2020 Griffin ..... D24/229  
 2002/0108917 A1 8/2002 Maruyama  
 2002/0170867 A1 11/2002 Liu  
 2003/0017084 A1 1/2003 Dale  
 2003/0034317 A1 \* 2/2003 Lafond ..... B01L 9/06  
 211/74  
 2004/0188367 A1 9/2004 Pleiman  
 2005/0165287 A1 7/2005 Wescott  
 2005/0205673 A1 9/2005 Morris  
 2007/0062892 A1 3/2007 Donnellan  
 2007/0235395 A1 10/2007 Mondale  
 2008/0075634 A1 3/2008 Herchenbach  
 2008/0164210 A1 7/2008 Demarco  
 2011/0274595 A1 11/2011 Ziegler  
 2012/0085720 A1 4/2012 Bettenhausen  
 2012/0175328 A1 7/2012 Bosch  
 2015/0336102 A1 \* 11/2015 Tyagi ..... B66F 11/00  
 422/562  
 2016/0058249 A1 5/2016 Pitman  
 2017/0361325 A1 12/2017 Kantor  
 2018/0064507 A1 3/2018 Kieser et al.  
 2018/0116747 A1 5/2018 Matityahu et al.  
 2018/0206933 A1 7/2018 Healey et al.  
 2019/0060909 A1 \* 2/2019 Wardenburg ..... B01L 9/06  
 2019/0070573 A1 \* 3/2019 Akiyama ..... G01N 1/38  
 2020/0315349 A1 \* 10/2020 Rapier ..... G09F 3/0295

OTHER PUBLICATIONS

Written Opinion of the International Searching Authority re: International Application No. PCT/IB2020/053054; dated Jan. 2015; 7 pages.

Notification of Transmittal of the International Searching Report re: international Application No. PCT/IB2020/053054 dated May 27, 2020; 6 pages.

\* cited by examiner

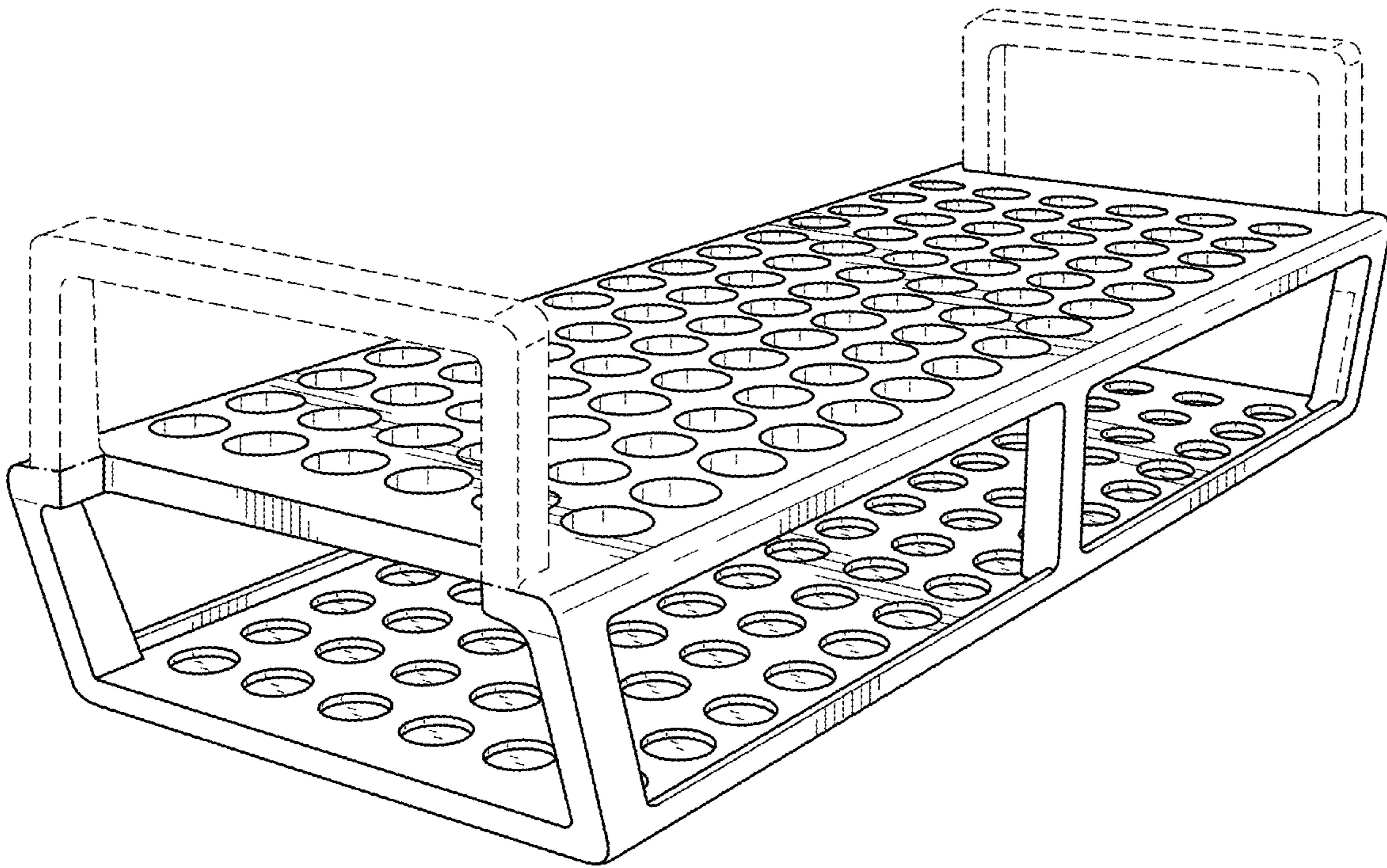


FIG. 1

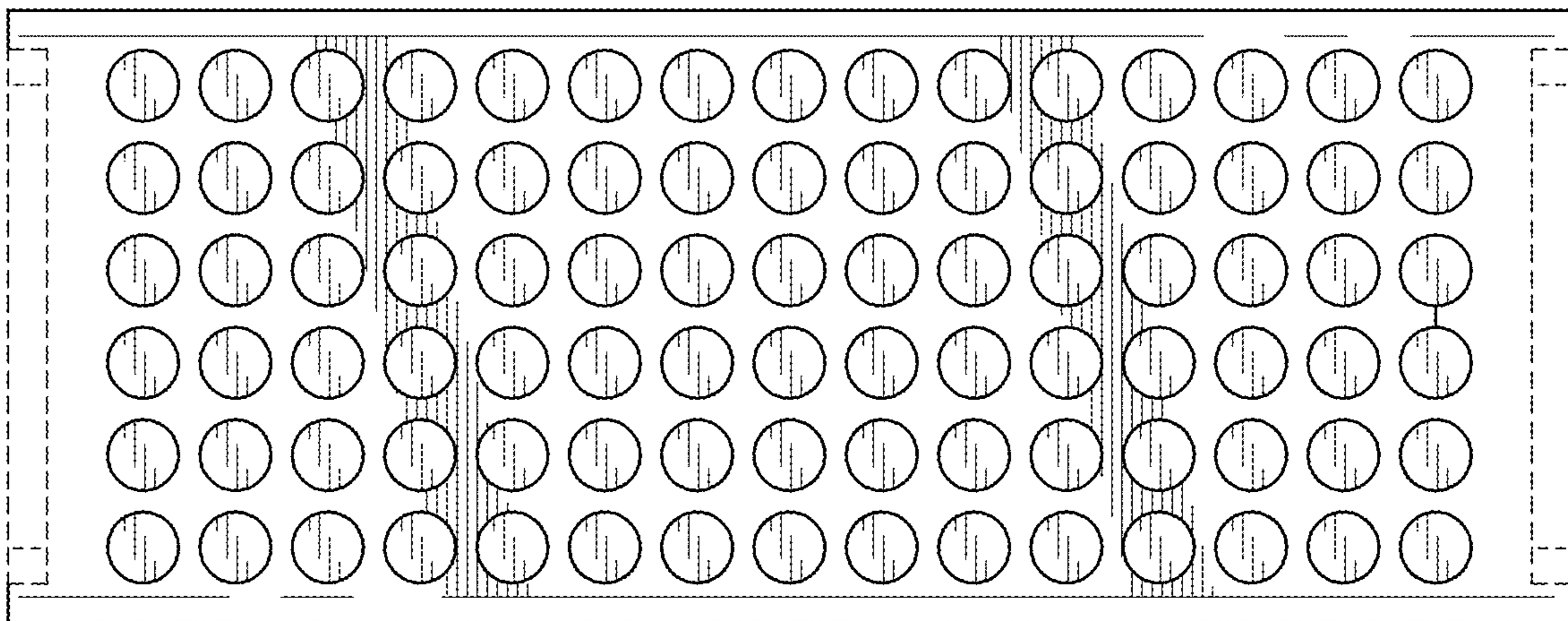


FIG. 2

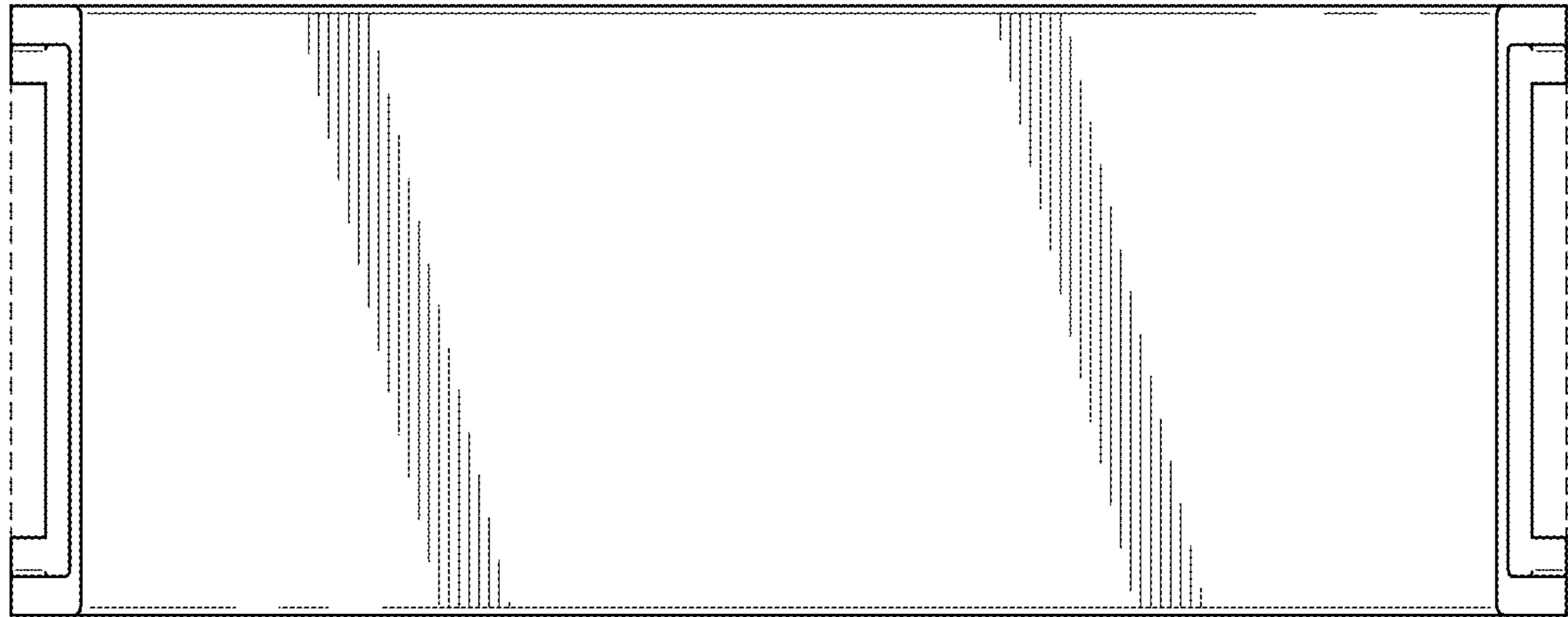


FIG. 3

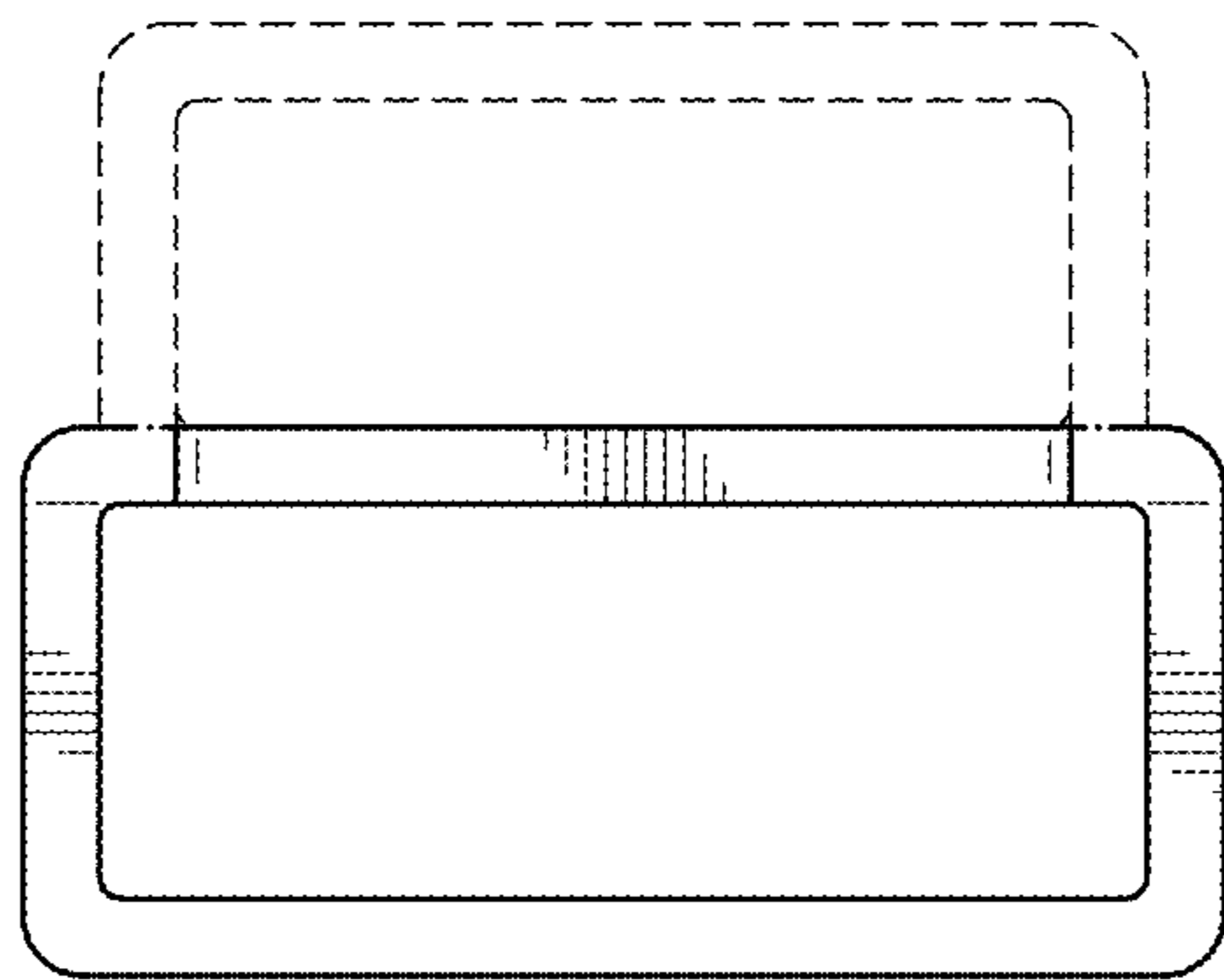


FIG. 4

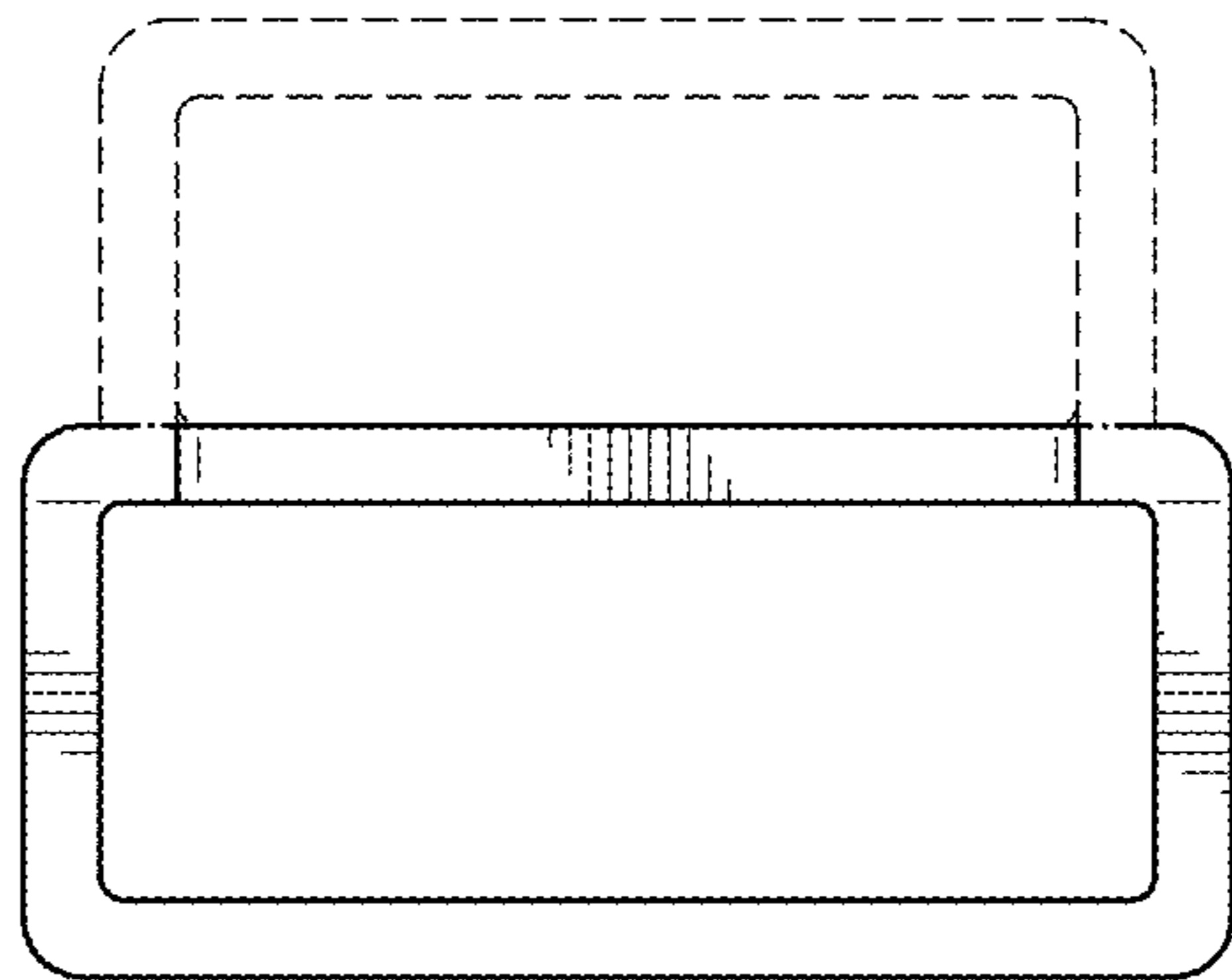


FIG. 5

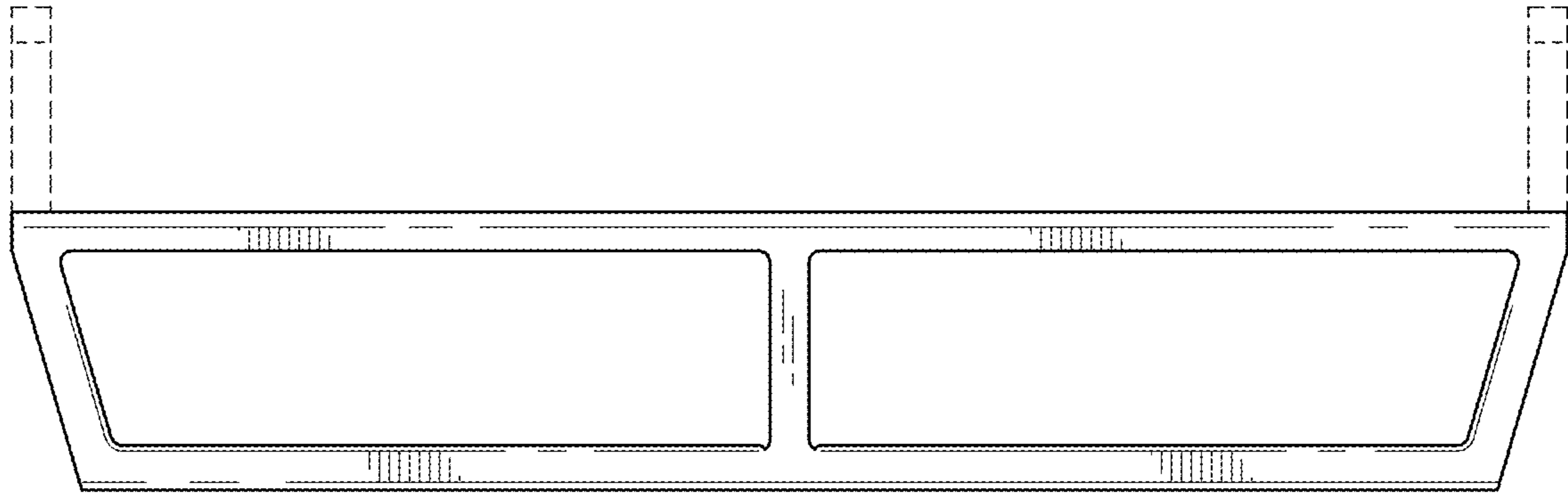


FIG. 6

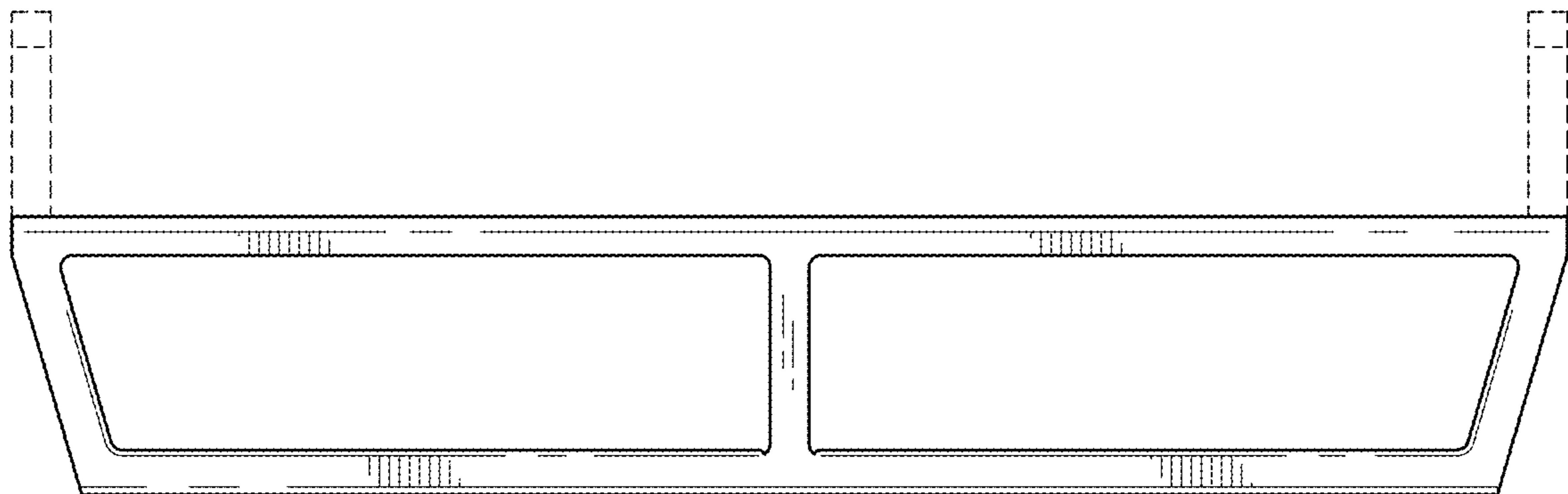


FIG. 7