



US00D925766S

(12) **United States Design Patent** (10) **Patent No.:** **US D925,766 S**
Martin (45) **Date of Patent:** **** Jul. 20, 2021**

(54) **PORTABLE CLEANING STATION BASIN**
(71) Applicant: **Phillip J. Martin**, Newport News, VA
(US)
(72) Inventor: **Phillip J. Martin**, Newport News, VA
(US)

D619,311 S * 7/2010 Publ D32/1
D668,348 S * 10/2012 Murphy D24/217
D829,339 S * 9/2018 Doebler D24/227
D905,251 S * 12/2020 Groethe D24/188
D915,106 S * 4/2021 Lu D6/675.1
2002/0087615 A1* 7/2002 Hodnick B08B 9/00
709/200
2006/0137379 A1* 6/2006 Cawthon A22C 17/08
62/285

(**) Term: **15 Years**

(21) Appl. No.: **29/698,340**

(22) Filed: **Jul. 16, 2019**

(51) **LOC (13) Cl.** **24-02**

(52) **U.S. Cl.**
USPC **D24/229; D32/1**

(58) **Field of Classification Search**
USPC D21/519, 522; D6/705, 336, 641;
D32/1; D24/188, 216, 224-227, 229-230
CPC A47C 13/00; A47B 67/02; A47B 23/00;
A63F 7/06; A47F 3/04; E03C 1/12; A47K
1/02

See application file for complete search history.

(56) **References Cited**

U.S. PATENT DOCUMENTS

2,523,877 A * 9/1950 Pestolesi A61M 5/008
206/366
D202,013 S * 8/1965 Hamilton D24/229
D248,045 S * 5/1978 Bassett D24/229
D277,019 S * 1/1985 Appel D21/522
D280,130 S * 8/1985 Harkins D24/216
D288,600 S * 3/1987 Vander Hout D24/217
D306,223 S * 2/1990 Muirhead D32/1
D309,201 S * 7/1990 Thrasher D32/1
D332,646 S * 1/1993 Aker D21/522
D341,683 S * 11/1993 Angle D32/1
D373,198 S * 8/1996 Hill D24/230
D384,446 S * 9/1997 Linton D32/1
6,836,910 B2 * 1/2005 Cawthon A22C 25/025
4/643

FOREIGN PATENT DOCUMENTS

FR 933021-001 * 10/1993

* cited by examiner

Primary Examiner — John R Yeh

(74) *Attorney, Agent, or Firm* — Peter J. Van Bergen

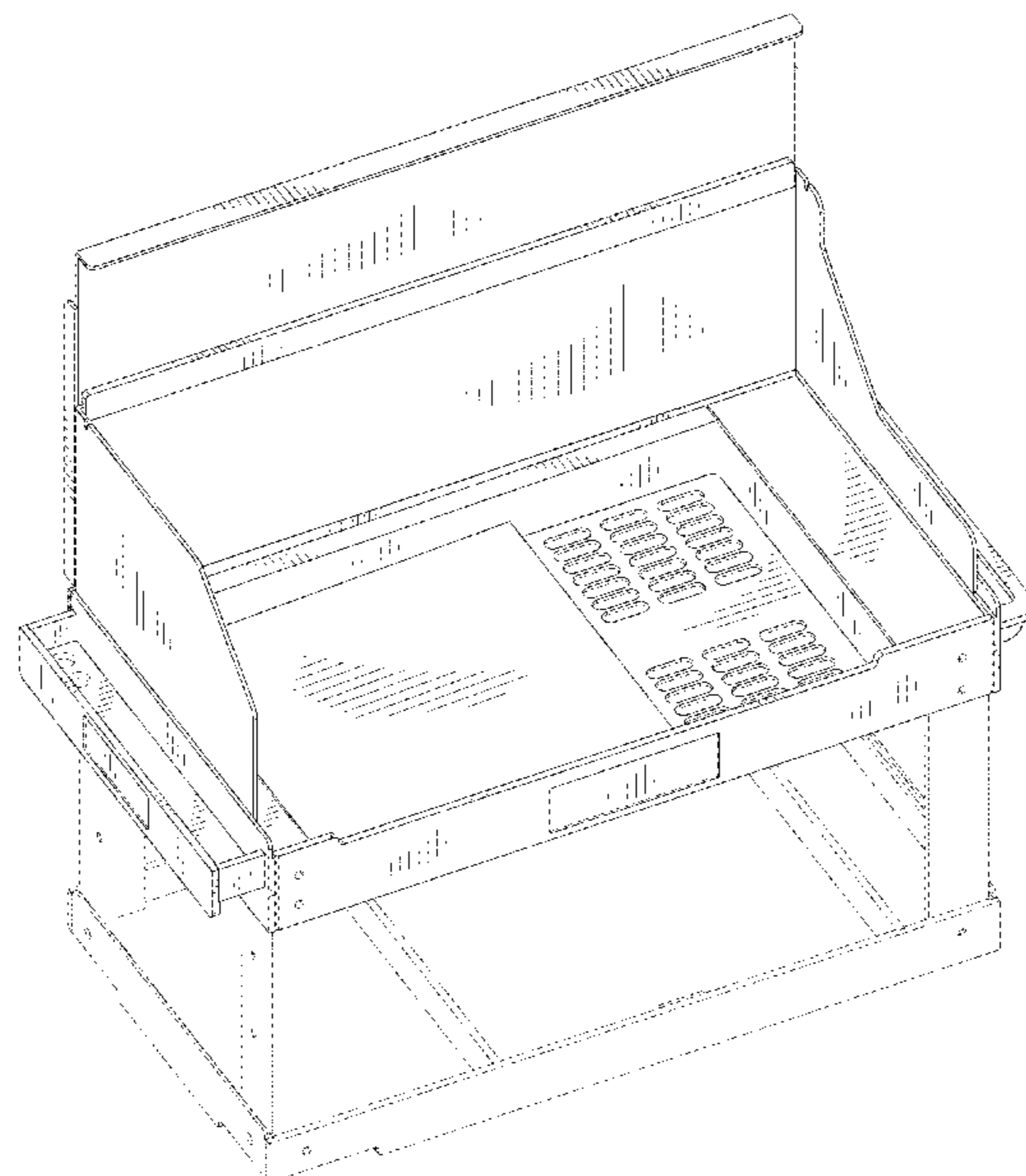
(57) **CLAIM**

I claim the ornamental design for a portable cleaning station basin, as shown and described.

DESCRIPTION

FIG. 1 is a top, front, right side perspective view of my new design for a portable cleaning station basin;
FIG. 2 is a perspective view from beneath the back left side thereof;
FIG. 3 is a perspective view from above the front left side thereof;
FIG. 4 is a top plan view thereof;
FIG. 5 is a bottom plan view thereof;
FIG. 6 is a right side view thereof;
FIG. 7 is a left side view thereof;
FIG. 8 is front view thereof; and,
FIG. 9 is a back view thereof.
The broken lines depict portions of the portable cleaning station basin that form no part of the claimed design.

1 Claim, 8 Drawing Sheets



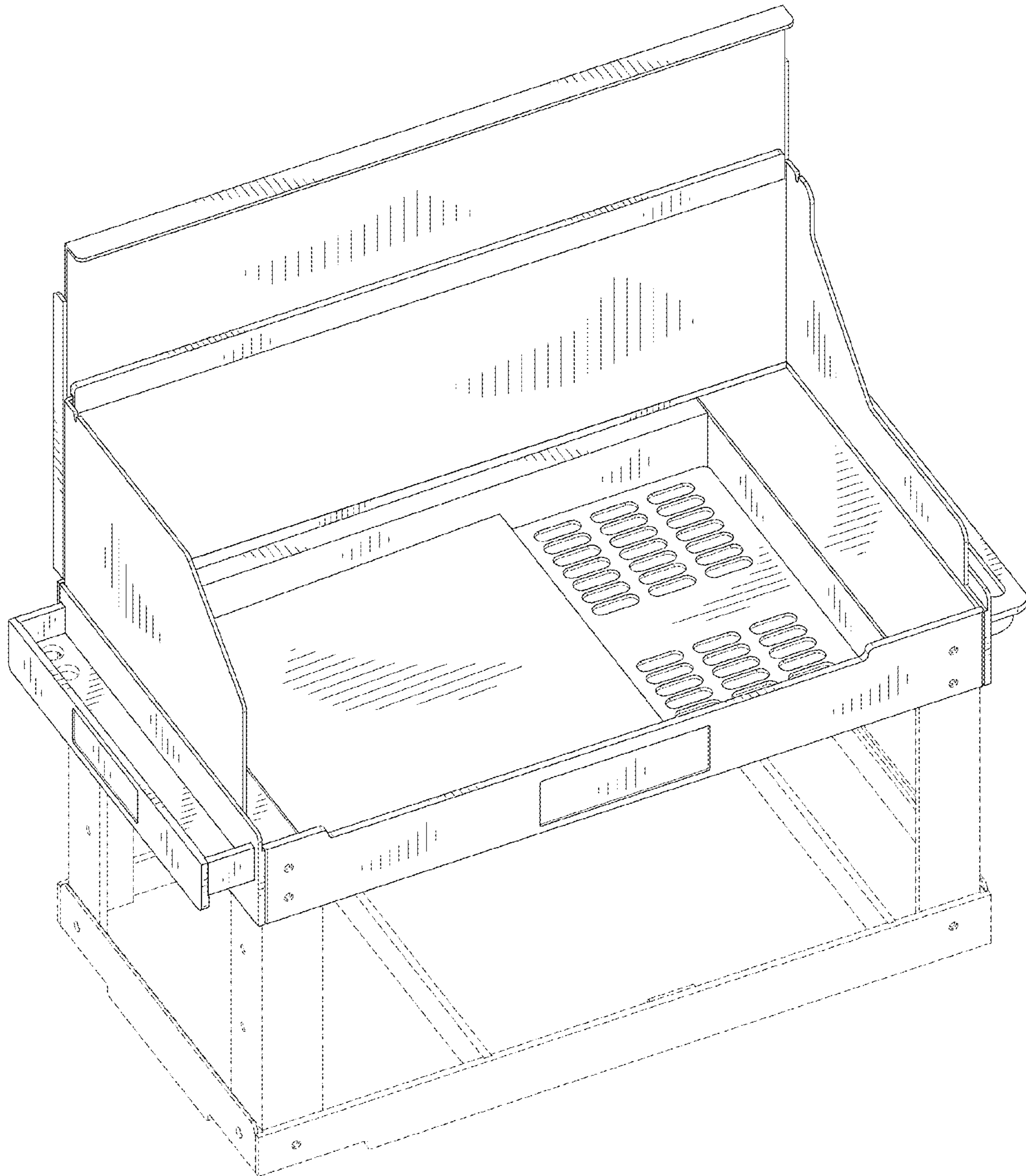


FIG. 1

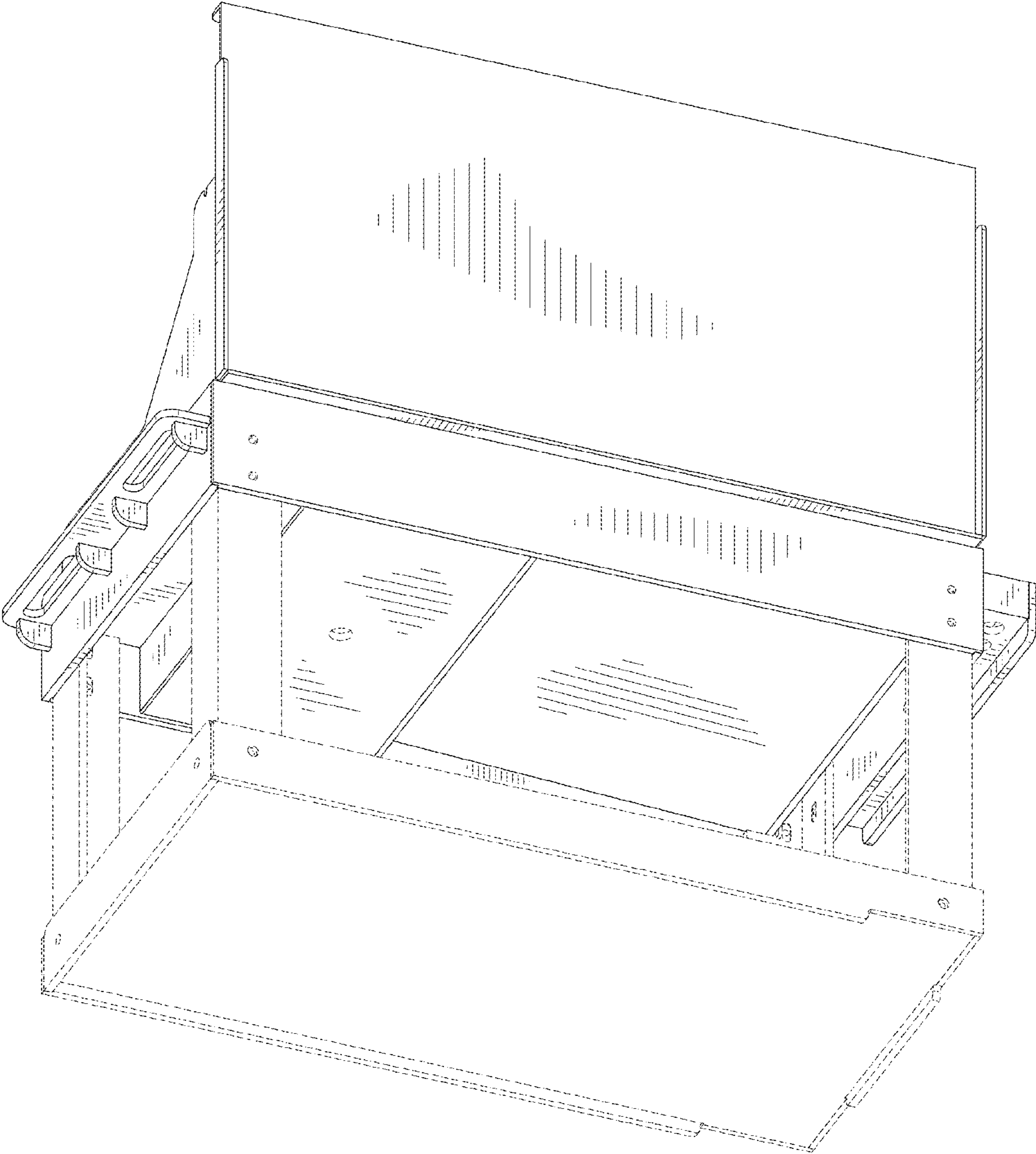


FIG. 2

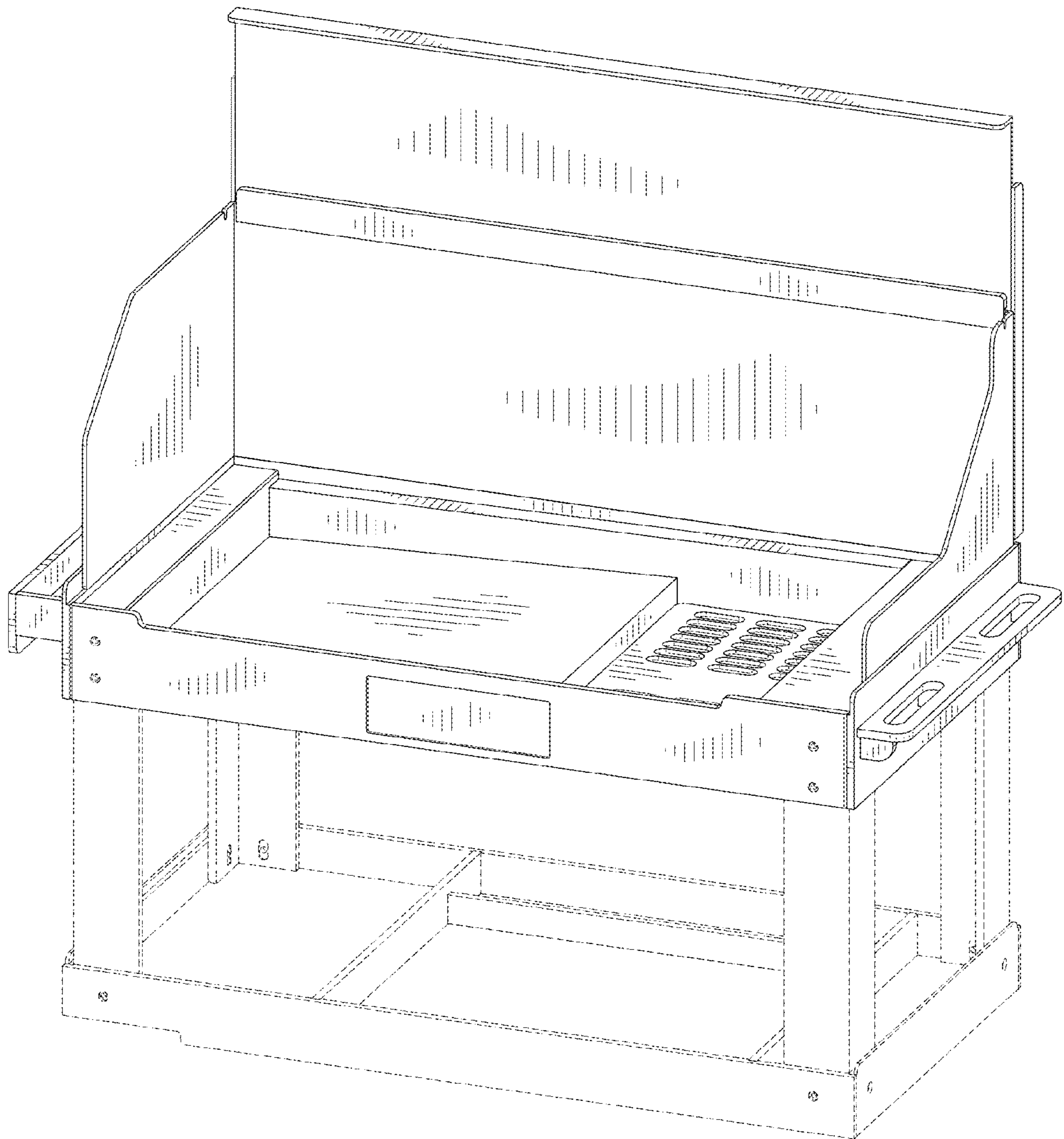


FIG. 3

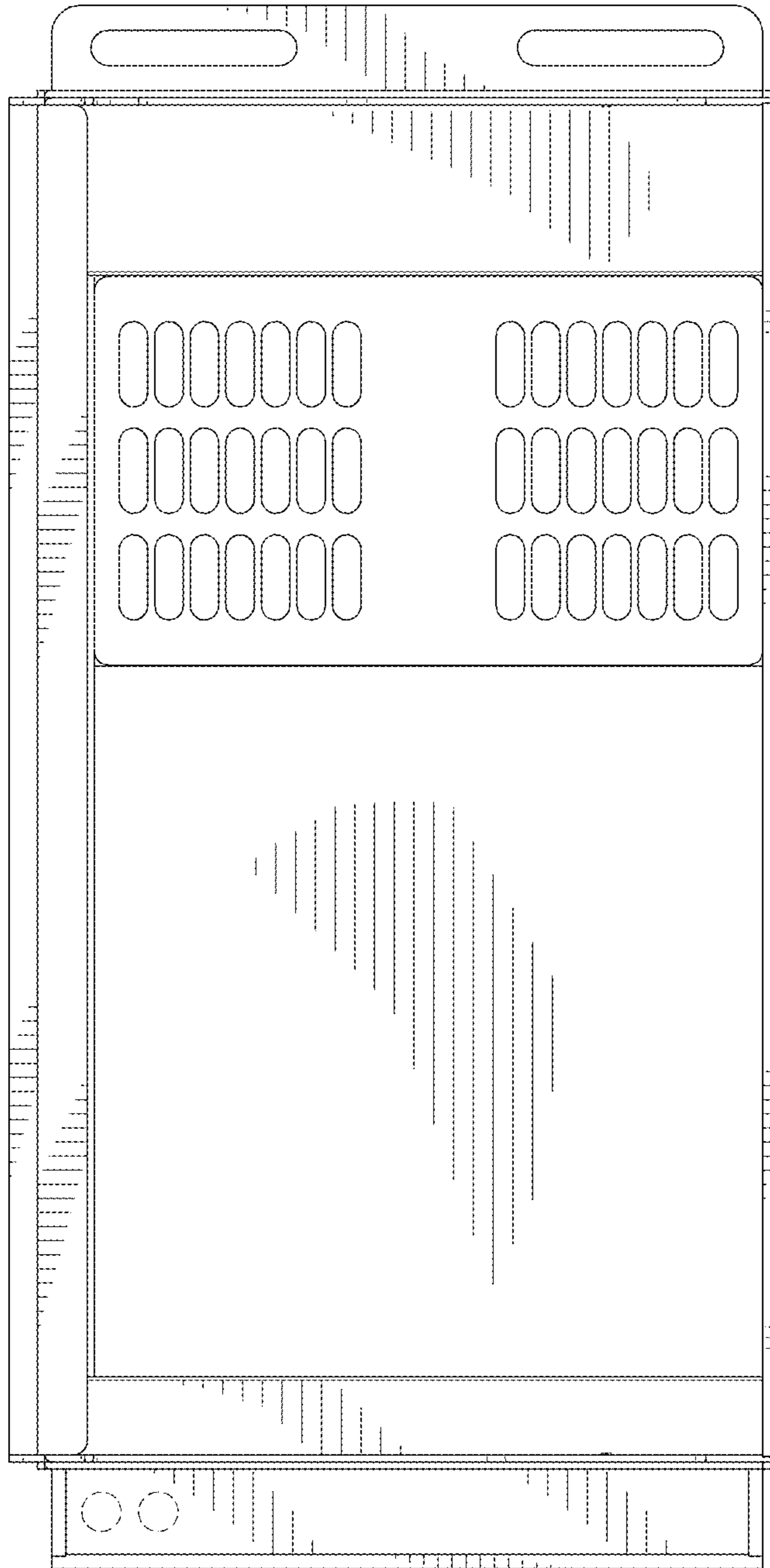


FIG. 4

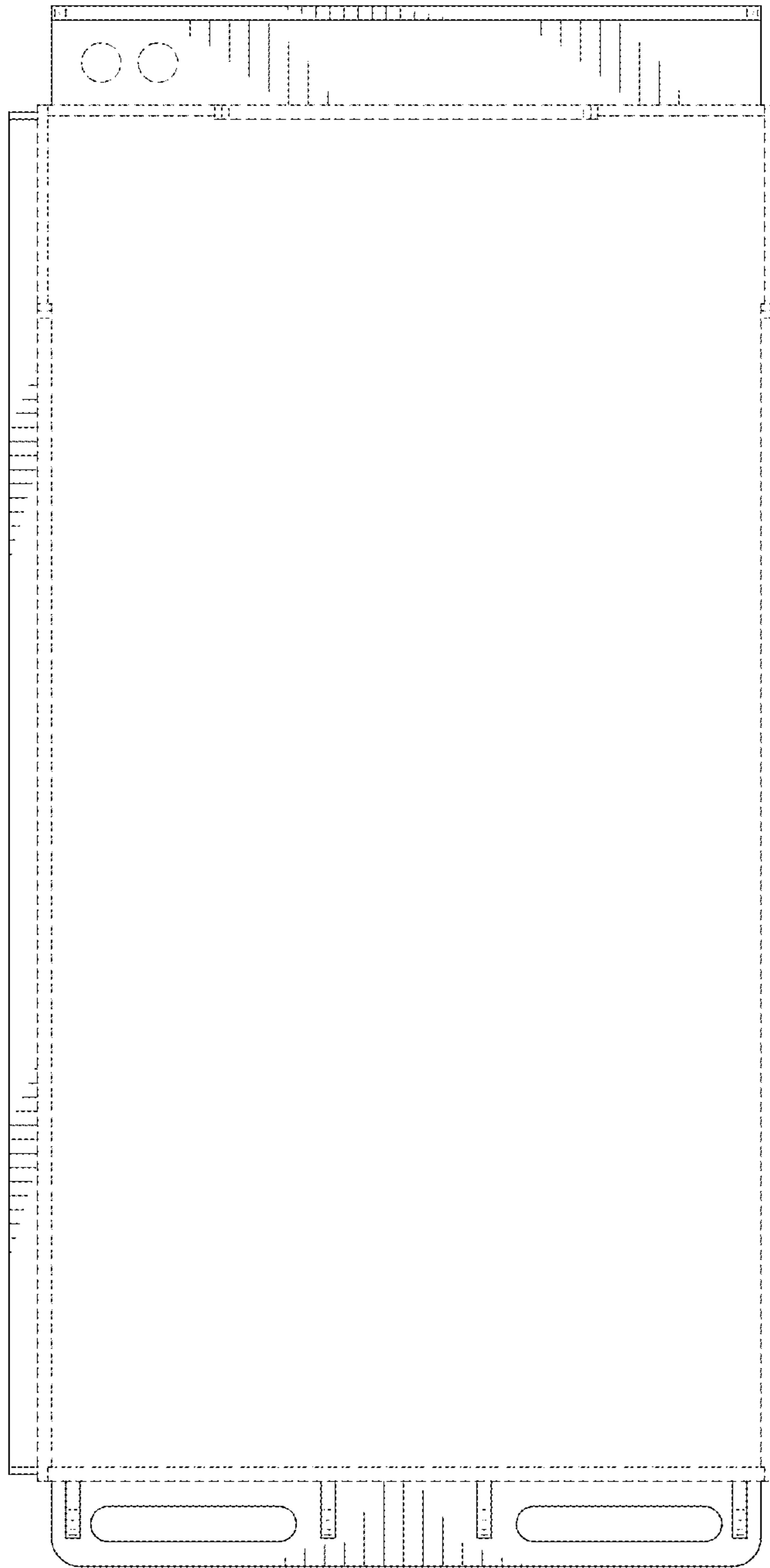


FIG. 5

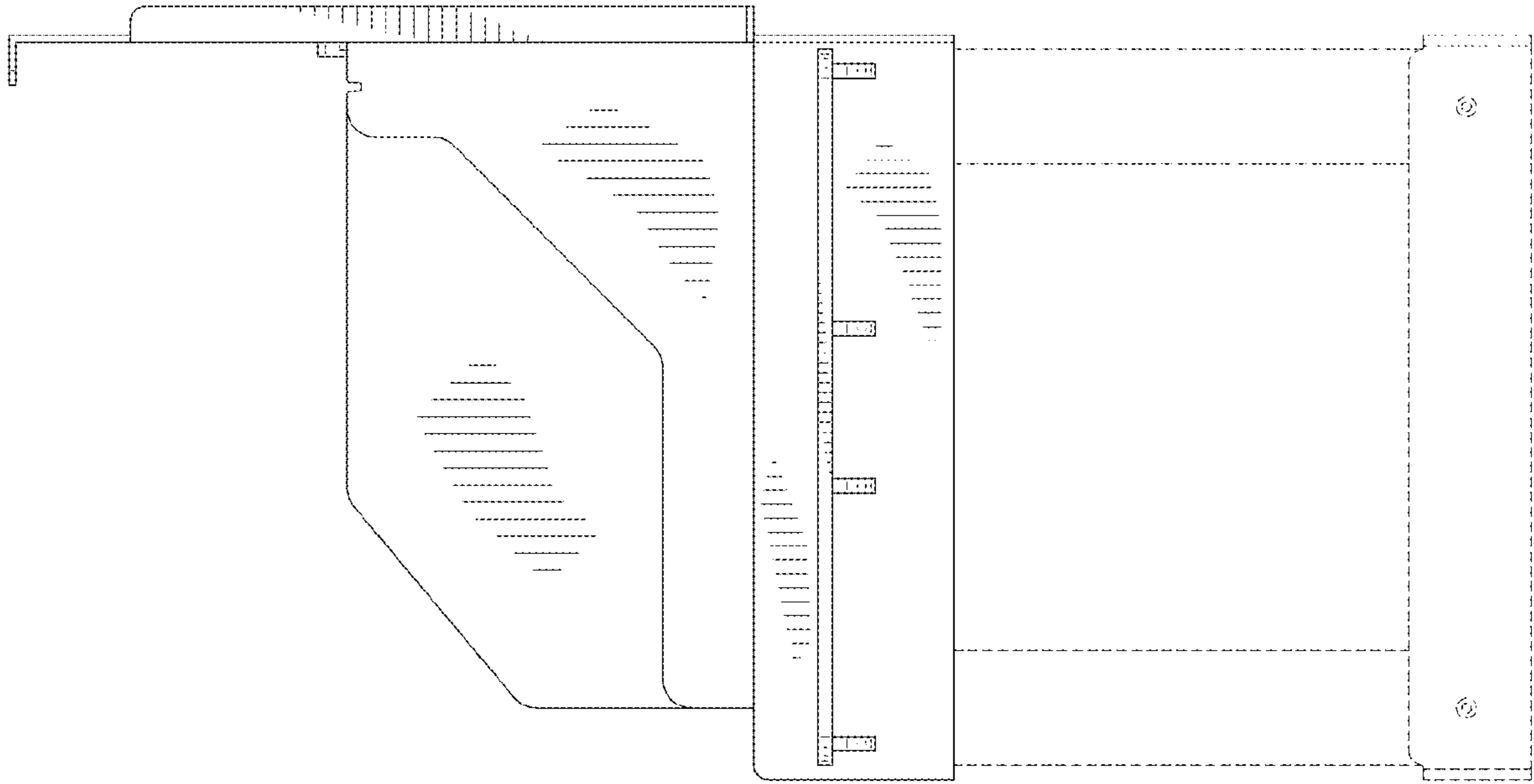


FIG. 7

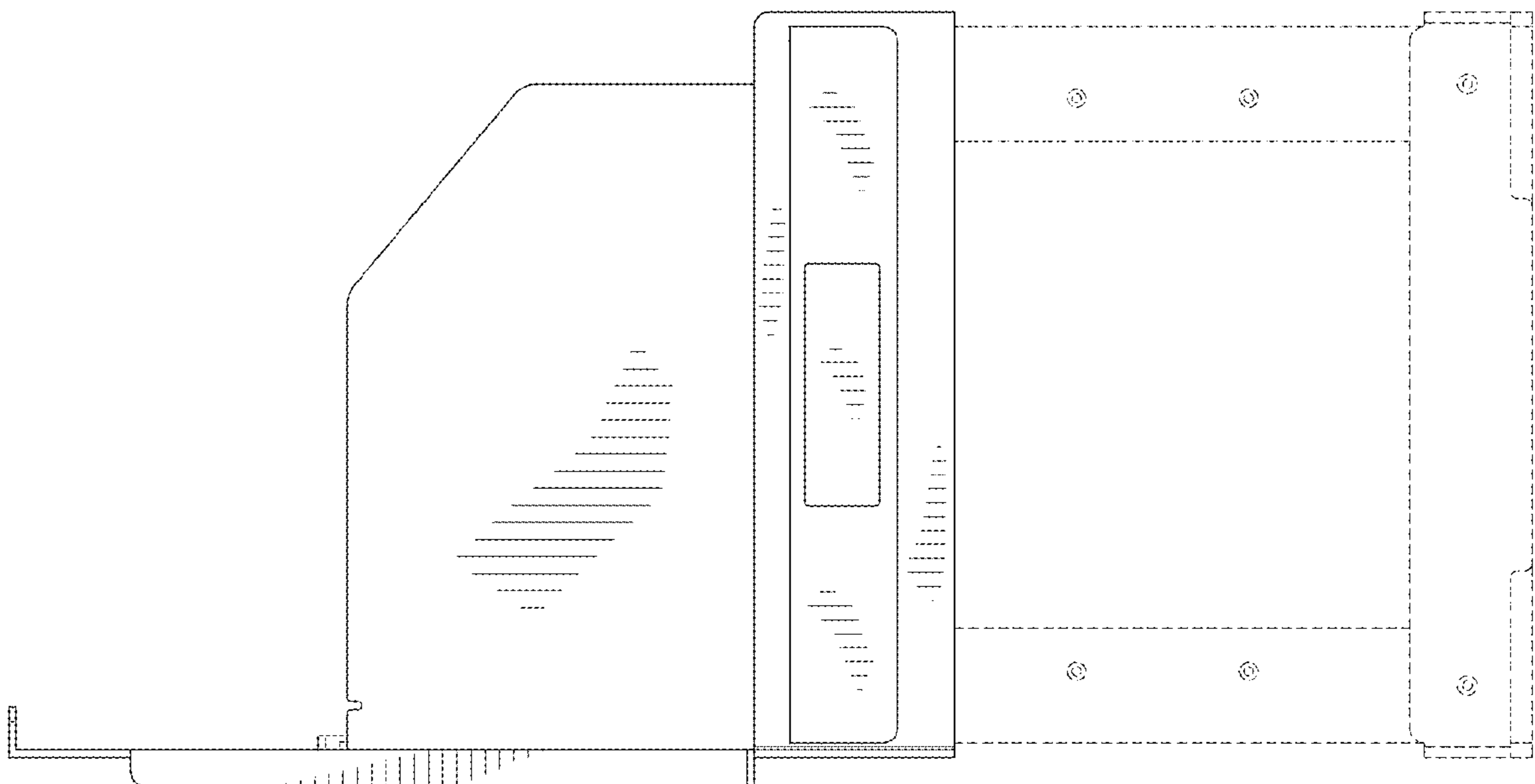


FIG. 6

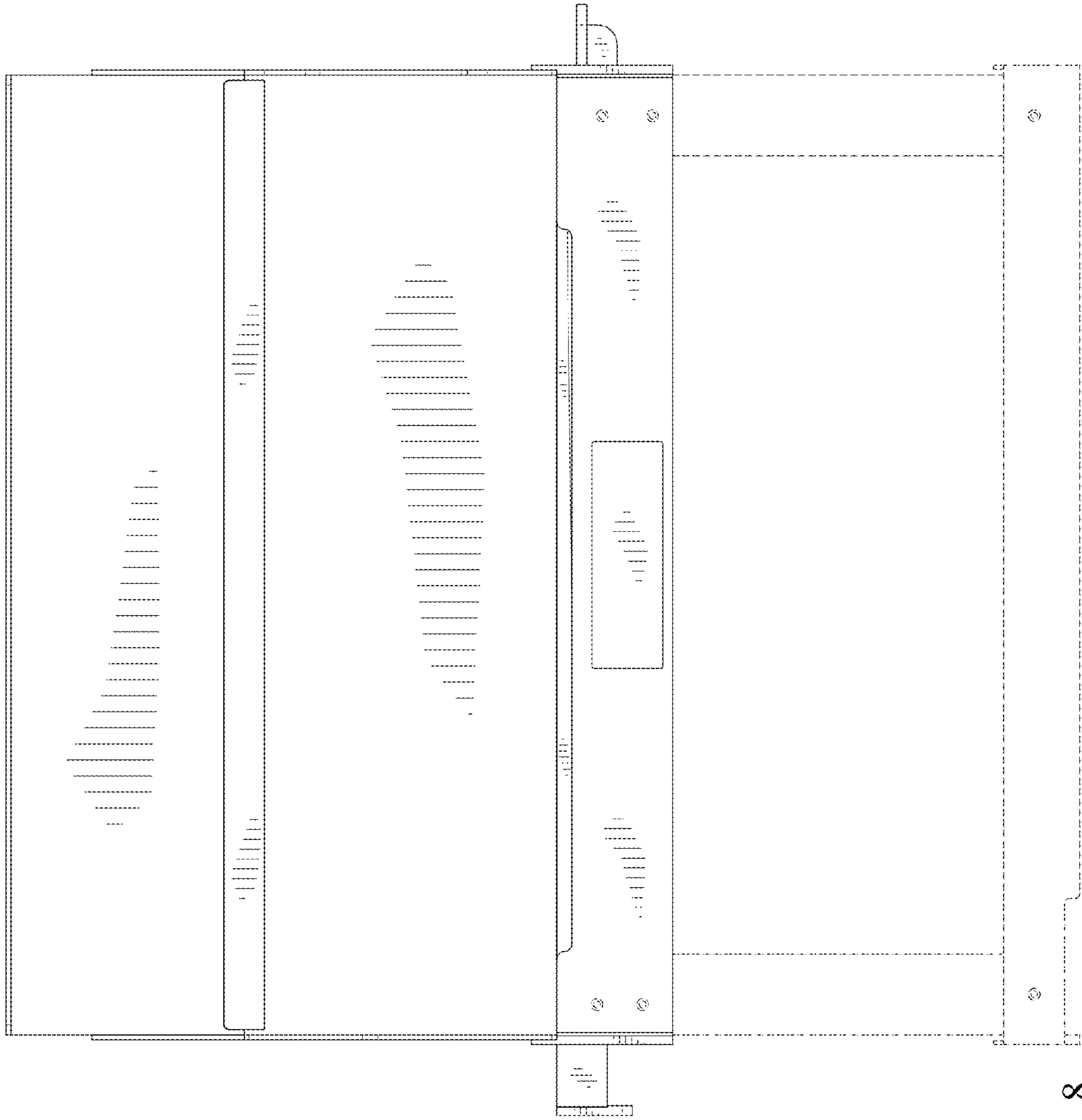


FIG. 8

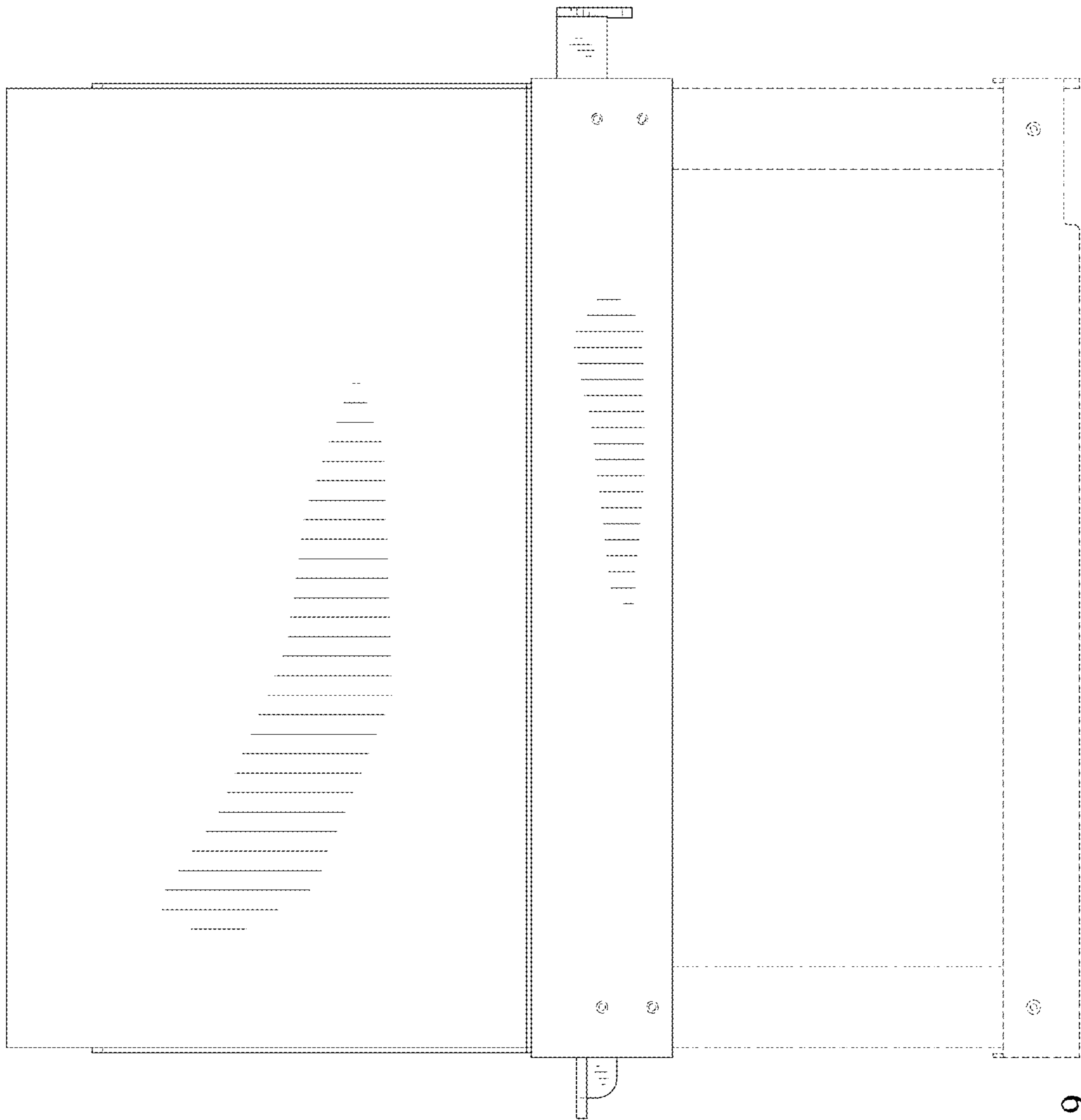


FIG. 9