



US00D925765S

(12) **United States Design Patent** (10) **Patent No.:** **US D925,765 S**  
**Self et al.** (45) **Date of Patent:** **\*\* Jul. 20, 2021**

(54) **PROCESS PLATE**  
(71) Applicant: **Becton, Dickinson and Company,**  
Franklin Lakes, NJ (US)  
(72) Inventors: **Brian A. Self,** Monkton, MD (US);  
**Dwight Livingston,** Fallston, MD (US)  
(73) Assignee: **Becton, Dickinson and Company,**  
Franklin Lakes, NJ (US)

D608,013 S 1/2010 Coulling et al.  
D618,820 S 6/2010 Wilson et al.  
D624,194 S 9/2010 Pack et al.  
D673,294 S 12/2012 Motadel  
D677,400 S 3/2013 Blaettler et al.  
D690,027 S 9/2013 Motadel  
D697,227 S 1/2014 Motadel  
D699,371 S 2/2014 Williams et al.  
D699,859 S 2/2014 Motadel  
D702,854 S 4/2014 Nakahana et al.

(Continued)

(\*\*) Term: **15 Years**

**FOREIGN PATENT DOCUMENTS**

(21) Appl. No.: **29/755,907**

AU 201614442 C1 11/2016

(22) Filed: **Oct. 23, 2020**

**OTHER PUBLICATIONS**

**Related U.S. Application Data**

US D878,623 S, 03/2020, Self et al. (withdrawn)  
(Continued)

(62) Division of application No. 29/657,941, filed on Jul. 26, 2018, now Pat. No. Des. 903,143, which is a division of application No. 29/564,484, filed on May 13, 2016, now Pat. No. Des. 825,774.

*Primary Examiner* — Susan Bennett Hattan  
*Assistant Examiner* — Rebecca Tsehaye  
(74) *Attorney, Agent, or Firm* — Lerner, David, Littenberg, Krumholz & Mentlik, LLP

(51) **LOC (13) Cl.** ..... **24-02**

(52) **U.S. Cl.**  
USPC ..... **D24/224**

(57) **CLAIM**

(58) **Field of Classification Search**  
USPC ..... D24/107, 216, 227–230, 222, 127, 12;  
422/50, 500, 501, 524, 564, 563, 562,  
422/561, 942, 401  
CPC ..... B01L 3/0275; B01L 3/02; B01L 2300/08;  
B01L 2300/0829; B01L 2200/06  
See application file for complete search history.

The ornamental design for a process plate, as shown and described.

**DESCRIPTION**

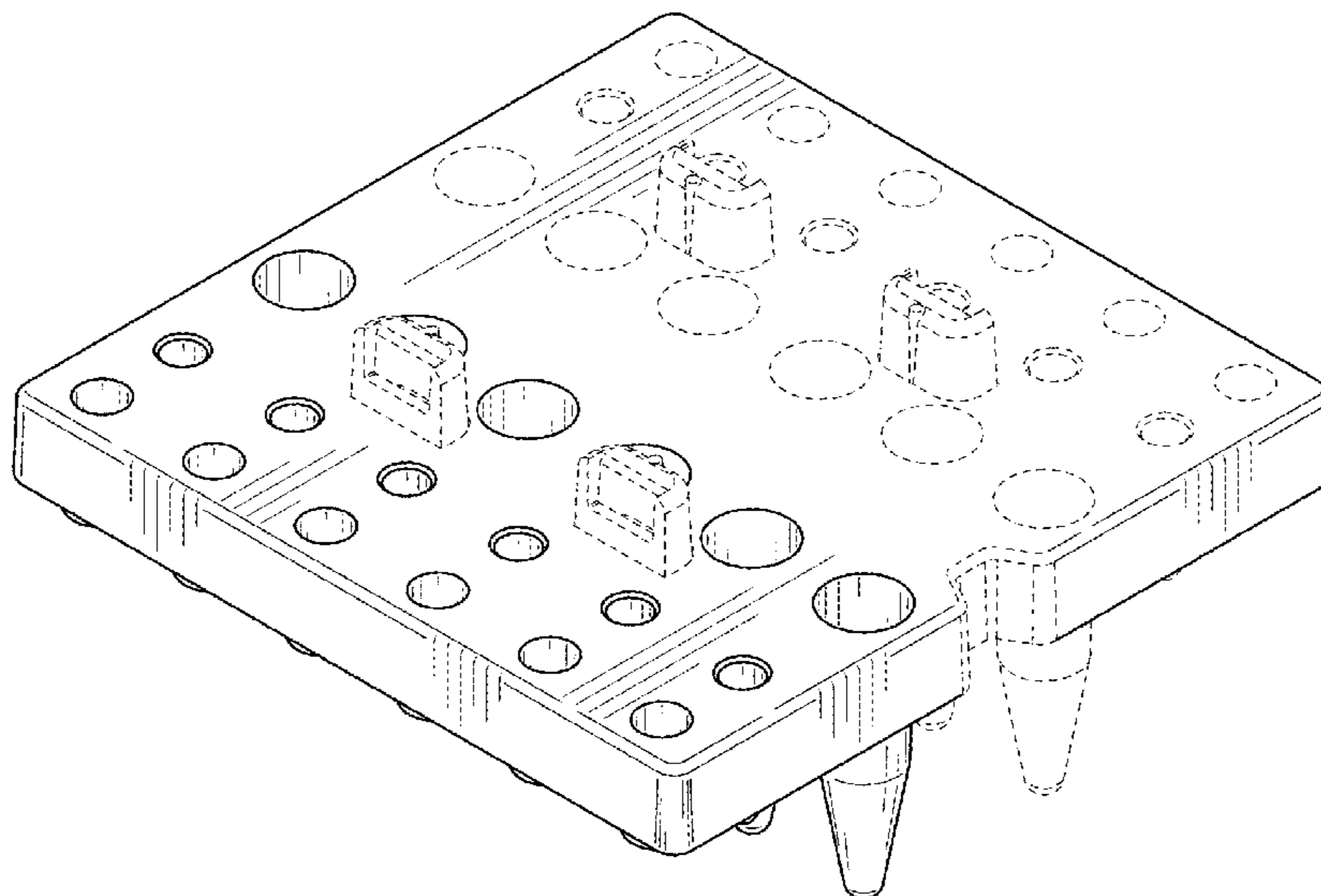
(56) **References Cited**

**U.S. PATENT DOCUMENTS**

D337,165 S 7/1993 Malinoff  
D420,743 S 2/2000 Monks  
6,558,631 B1 5/2003 Day  
6,601,725 B2 8/2003 Lafond et al.  
D574,506 S 8/2008 Monks  
D598,566 S 8/2009 Allaer

FIG. 1 is a front perspective view of a process plate according to our design;  
FIG. 2 is a front elevational view thereof;  
FIG. 3 is a rear elevational view thereof;  
FIG. 4 is a right side elevational view thereof;  
FIG. 5 is a left side elevational view thereof;  
FIG. 6 is a top plan view thereof; and,  
FIG. 7 is a bottom plan view thereof.  
The broken lines illustrate unclaimed environmental structure and form no part of the claimed design.

**1 Claim, 4 Drawing Sheets**



(56)

References Cited

U.S. PATENT DOCUMENTS

8,728,415 B2 5/2014 Seippel  
 D710,024 S 7/2014 Guo  
 D718,465 S 11/2014 Tajima et al.  
 D729,942 S 5/2015 Keizer et al.  
 9,180,456 B2 11/2015 Malinoski et al.  
 D778,459 S 2/2017 Tajima  
 D792,981 S 7/2017 Tajima  
 D793,573 S 8/2017 Karmeniemi  
 9,802,196 B2 10/2017 Taunk  
 D815,753 S 4/2018 Curry et al.  
 D825,774 S \* 8/2018 Self ..... D24/224  
 D826,425 S 8/2018 Muller et al.  
 D826,426 S \* 8/2018 Muller ..... D24/230  
 D827,149 S \* 8/2018 Self ..... D24/224  
 D836,794 S \* 12/2018 Livingston ..... D24/224  
 D836,795 S \* 12/2018 Livingston ..... D24/224  
 D844,806 S 4/2019 Johns et al.  
 D848,638 S \* 5/2019 Sims ..... D24/226  
 D849,961 S 5/2019 Muller et al.  
 D854,707 S 7/2019 Jakobsen et al.  
 D862,724 S 10/2019 Sims et al.  
 D862,729 S \* 10/2019 Livingston ..... D24/227  
 D868,289 S 11/2019 Muller et al.  
 D868,996 S 12/2019 Muller et al.  
 D893,743 S \* 8/2020 Self ..... D24/224

D894,424 S \* 8/2020 Livingston ..... D24/227  
 D898,941 S \* 10/2020 Ollar ..... D24/227  
 D903,143 S \* 11/2020 Self ..... D24/224  
 D903,899 S \* 12/2020 Self ..... D24/224  
 D912,272 S \* 3/2021 Self ..... D24/224  
 2005/0136546 A1 6/2005 Berndt et al.  
 2006/0257292 A1 11/2006 Motadel  
 2008/0284602 A1 11/2008 Morris et al.  
 2010/0080734 A1 4/2010 Brophy et al.  
 2010/0119418 A1 5/2010 Clements et al.  
 2010/0314051 A1 12/2010 Barger et al.  
 2012/0257953 A1 10/2012 Williams et al.  
 2013/0161225 A1 6/2013 Lepot  
 2014/0205518 A1 7/2014 Malinoski et al.  
 2014/0234182 A1 8/2014 Motadel et al.  
 2016/0319329 A1 11/2016 Natale et al.

OTHER PUBLICATIONS

<https://www.google.com/search?q=process+plate&source=lnms&tbm=isch&sa=X&ved=Aug.12,2019>  
 Self et al., "Process Plate", Design U.S. Appl. No. 29/664,909, filed Sep. 28, 2018.  
 Design U.S. Appl. No. 29/658,064, filed Jul. 27, 2018, entitled "Process Plate".

\* cited by examiner

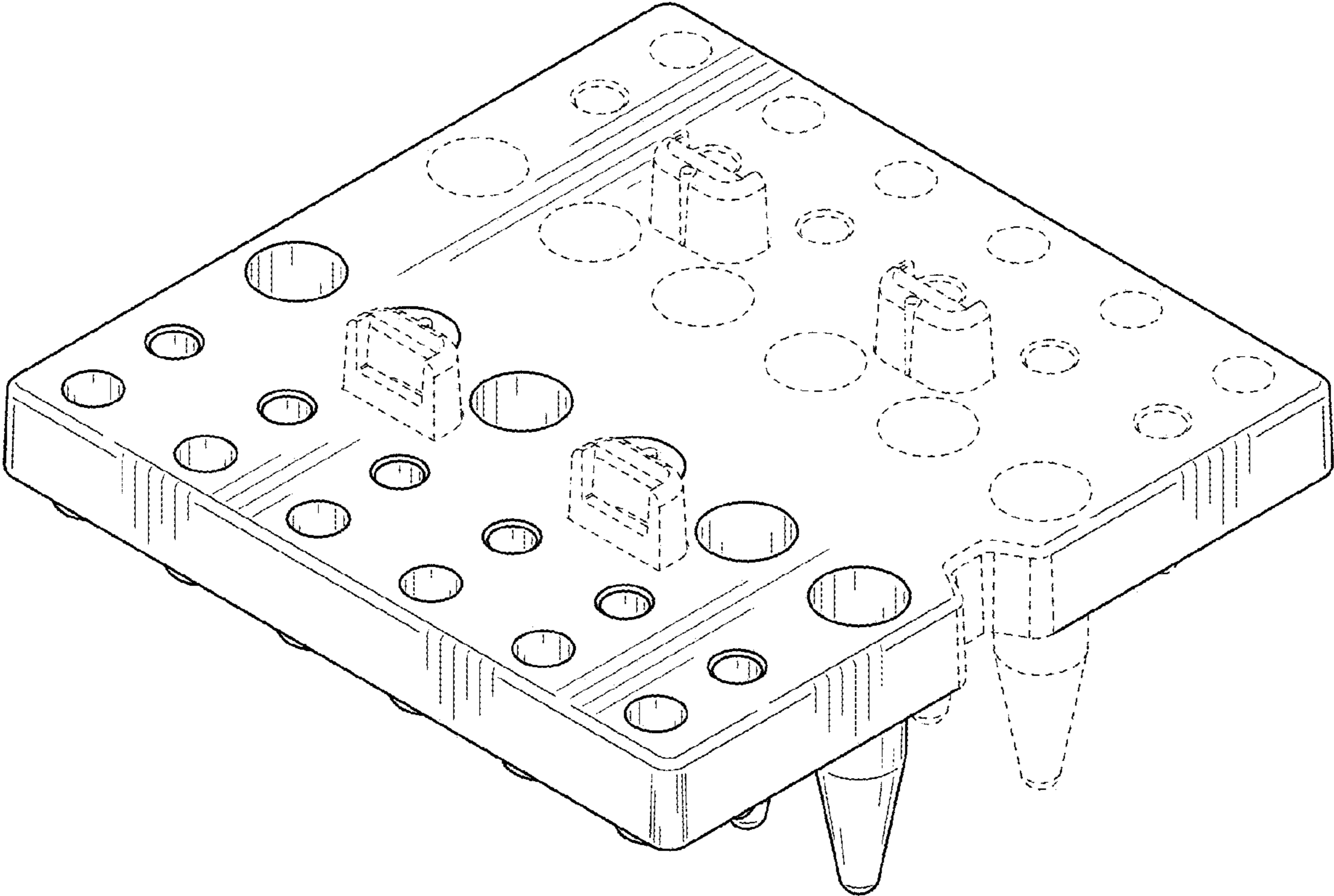


FIG. 1

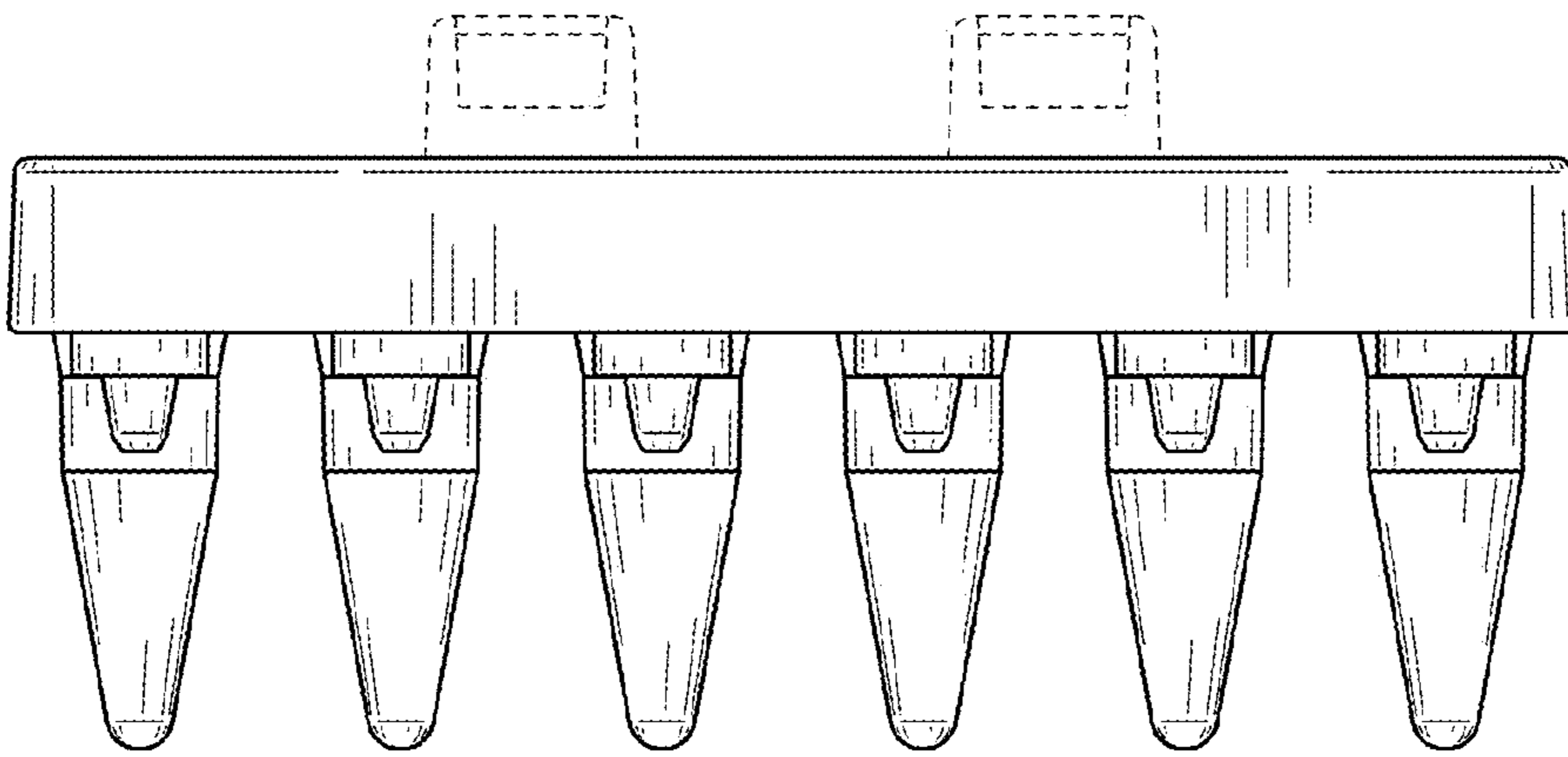


FIG. 2

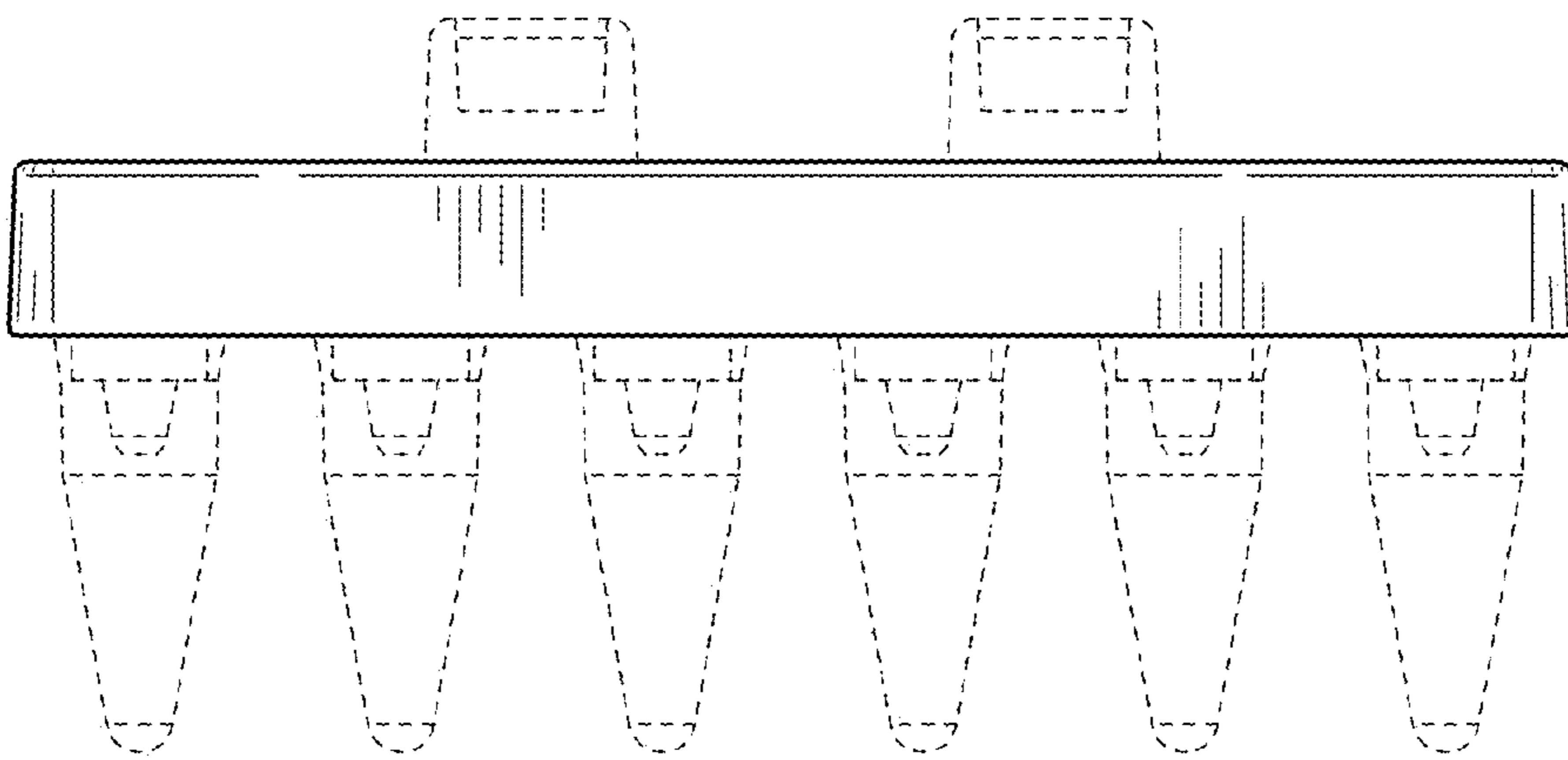


FIG. 3

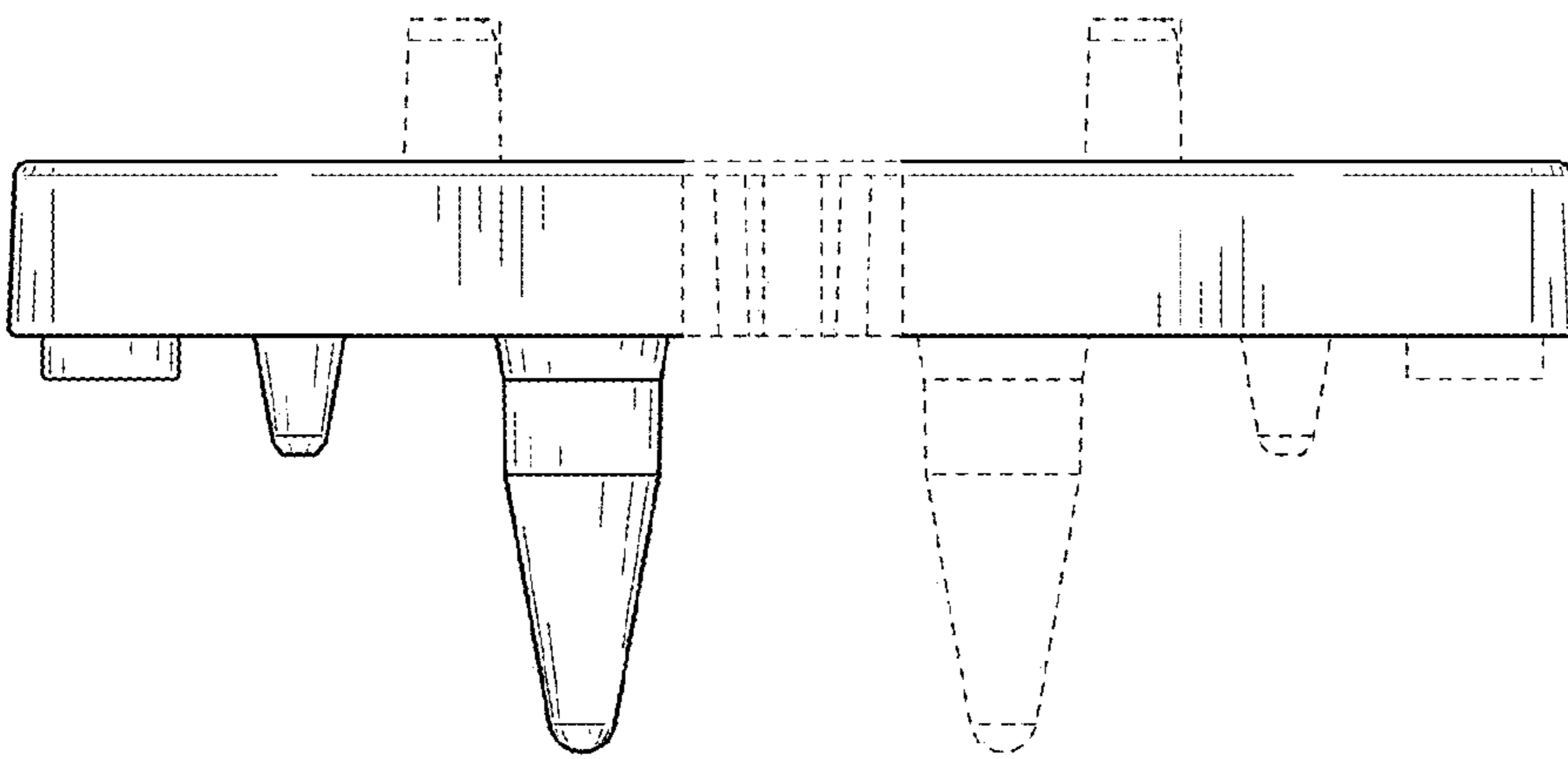


FIG. 4

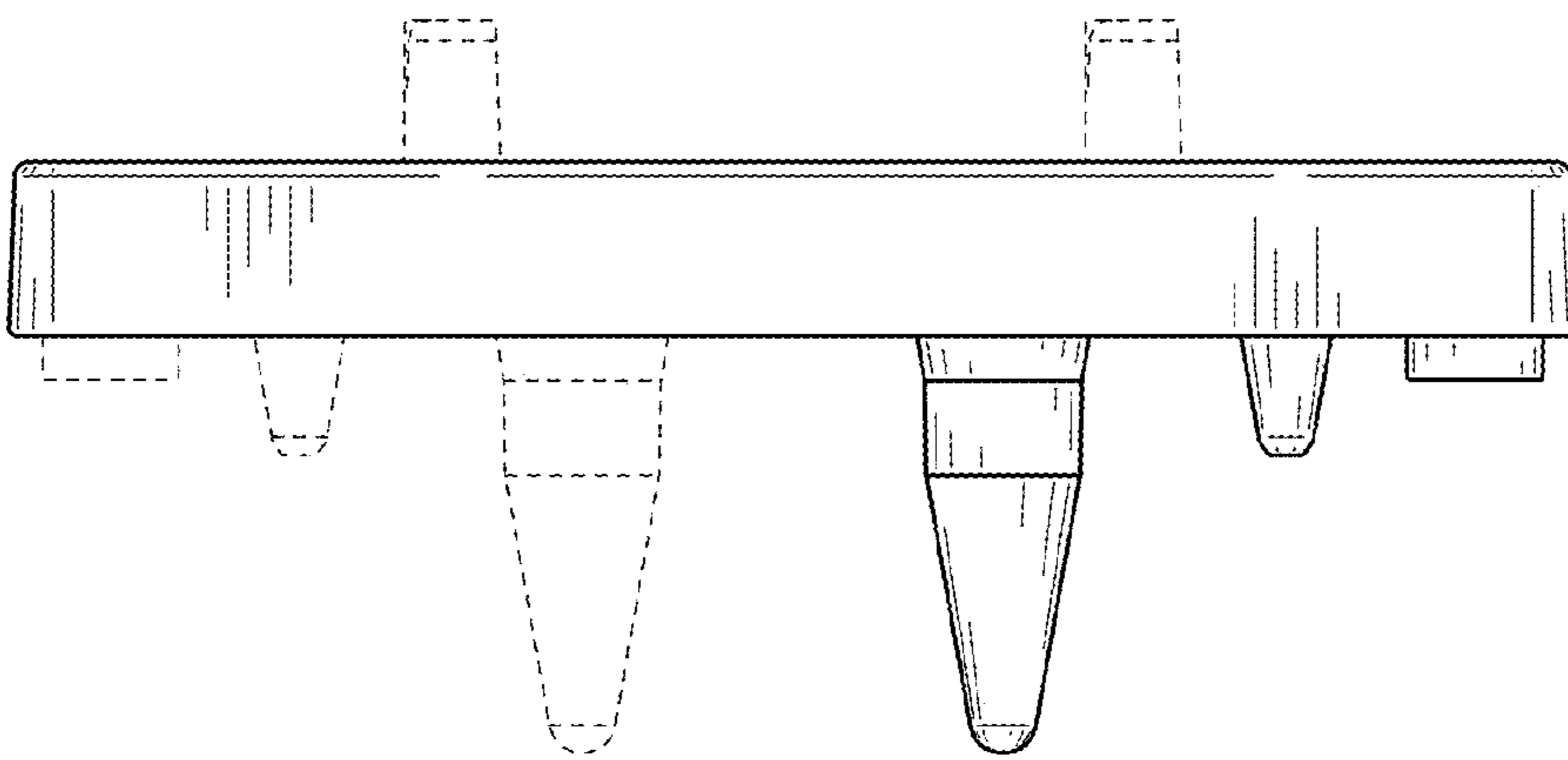


FIG. 5

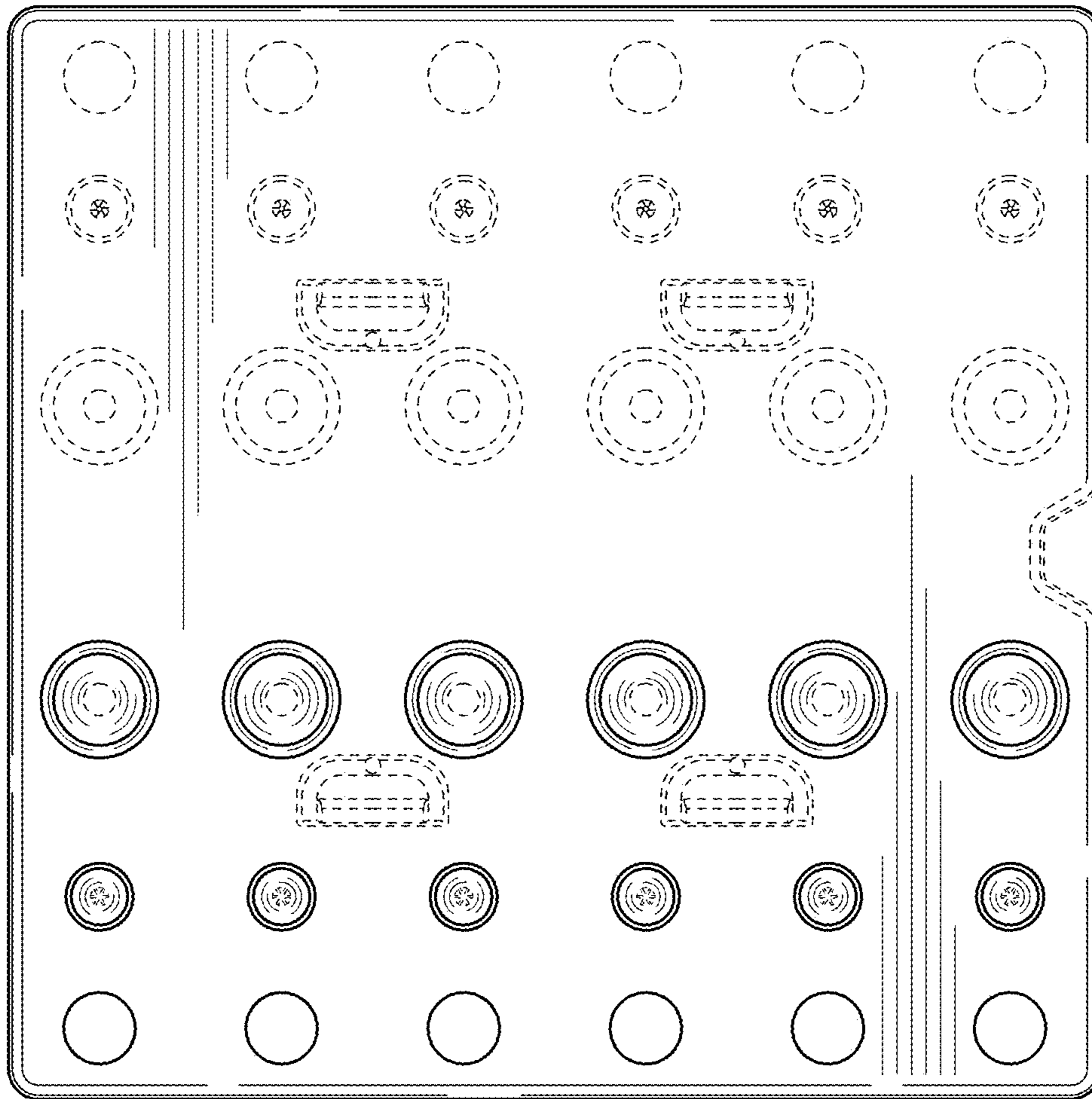


FIG. 6

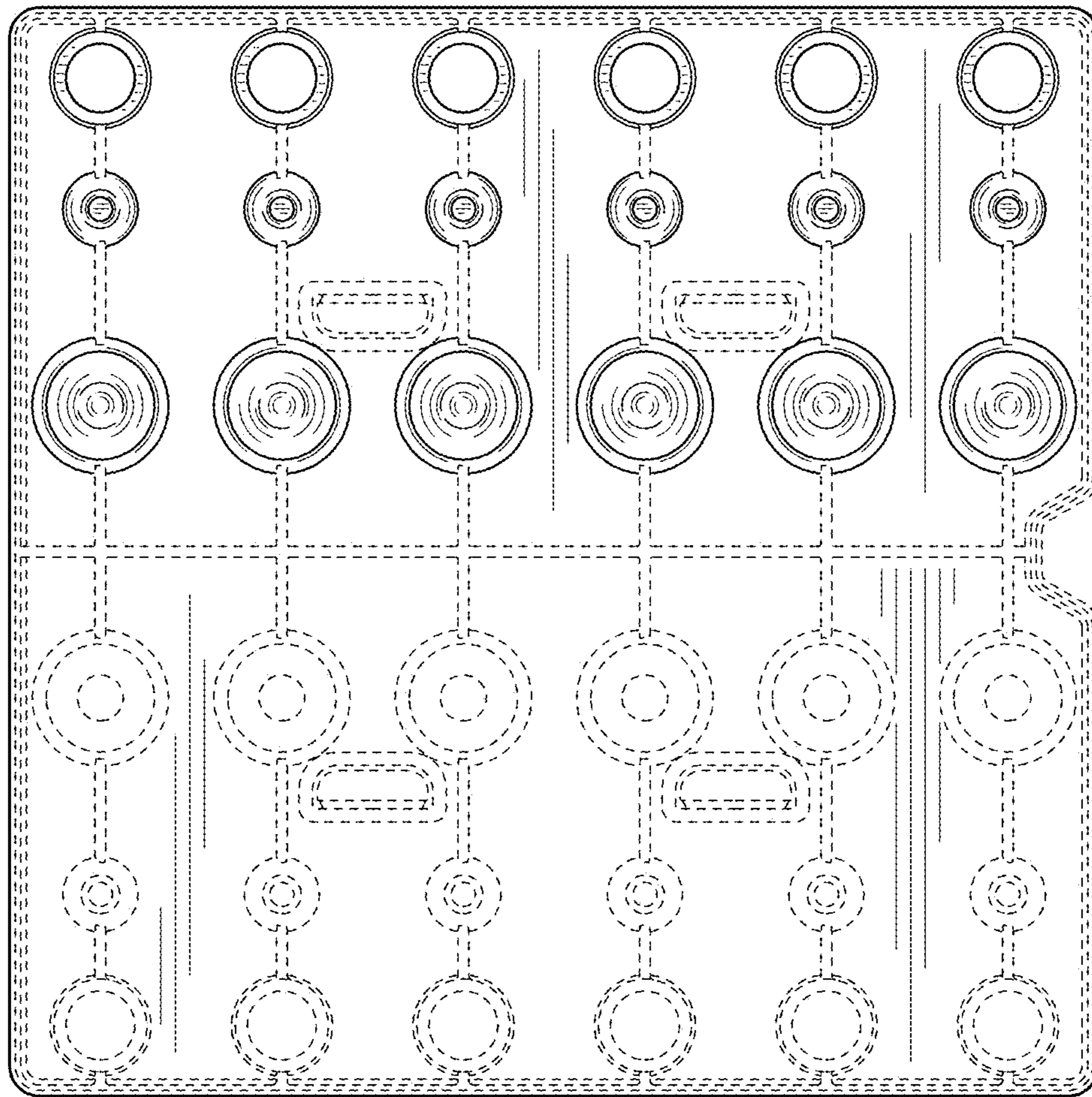


FIG. 7