



US00D925764S

(12) **United States Design Patent** (10) **Patent No.:** **US D925,764 S**  
**Becker** (45) **Date of Patent:** **\*\* Jul. 20, 2021**

(54) **BASE FOR MEDICAL IMPLANT AND/OR INSTRUMENT CASE**

(71) Applicant: **DePuy Synthes Products, Inc.**,  
Raynham, MA (US)

(72) Inventor: **Stephan Becker**, Lörrach (DE)

(73) Assignee: **DePuy Synthes Products, Inc.**,  
Raynham, MA (US)

(\*\*) Term: **15 Years**

(21) Appl. No.: **29/735,862**

(22) Filed: **May 26, 2020**

(51) **LOC (13) Cl.** ..... **24-01**

(52) **U.S. Cl.**  
USPC ..... **D24/217**

(58) **Field of Classification Search**  
USPC ..... D2/617; D3/201, 203.1, 203.6, 203.7,  
D3/304, 306, 314; D8/382; D14/205,  
D14/223; D15/199; D24/101, 102, 104,  
D24/133, 141, 155, 171, 188, 190, 193,  
D24/194, 196, 216, 224, 227, 228, 229,  
D24/135, 152, 217; D29/123; D28/76,  
D28/85

CPC .. A41D 19/00; A41D 19/0017; A41D 19/015;  
A41D 19/0055; A61B 17/80; A61B  
2017/00292; A61B 2017/00796; A61B  
2017/00969; A61B 50/30; A61B 50/33;  
A61B 17/8033; A61B 17/8038; A61B  
17/8042; A61B 17/8047; A61B 17/8052;  
A61B 17/8057; A61B 17/8061; A61B  
17/86; A61B 17/68; A61B 17/683; A61B  
2017/564; A61B 17/808; A61B 17/8869;  
A61B 17/8019; A61B 50/34; A61F 2/00;  
A61F 2/02; A61F 2002/046; A61F 2/12;  
A61F 2/20; A61F 2/203; A61F 2/26;  
A61F 2/28; A61F 2002/2853; A61F 2/30;  
A61F 2/50; A61F 2002/5038; A61F  
2002/5058; A61F 2002/5064; A61F 2/52;  
A61F 2002/526; A61F 2/54; A61F 2/58;  
A61F 2/583; A61F 2/60; A61F 2/604;

A61F 2/64; A61F 2/66; A61F 2002/6614;  
A61F 2002/6621; A61F 2002/6628; A61F  
2/82; A61F 2/86; A61F 2/88; A61F  
2/885; A61F 2/4014; A61F 2002/4018;  
A61F 2002/4022; A61F 2002/4029; A61F  
2002/4033; A61F 2002/4037; A61F  
2002/4004; A61F 2002/4051; A61F  
2/4059; A61F 2002/4062;

(Continued)

(56) **References Cited**

U.S. PATENT DOCUMENTS

4,796,778 A 1/1989 Habig et al.  
5,441,707 A \* 8/1995 Lewis ..... A61L 2/06  
422/300

(Continued)

OTHER PUBLICATIONS

Aesculap, "SterilContainer Systems", first available Jul. 2011. (<https://www.aesculapusa.com/content/dam/aesculap-us/us/website/aesculap-inc/healthcareprofessionals/operate-with-greater-precision/pdfs/DOC976-SterilContainer-Business-to-Business-Sales-Brochure.pdf>) (Year: 2011).\*

(Continued)

*Primary Examiner* — April Rivas  
*Assistant Examiner* — Justin A Johnson

(57) **CLAIM**

I claim the ornamental design for a base for a medical implant and/or instrument case, as shown and described.

**DESCRIPTION**

FIG. 1: is a perspective view of the base for a medical implant and/or instrument case from the top position;  
FIG. 2: is a left side view and a right side view thereof;  
FIG. 3: is a front view and a back view thereof;

(Continued)

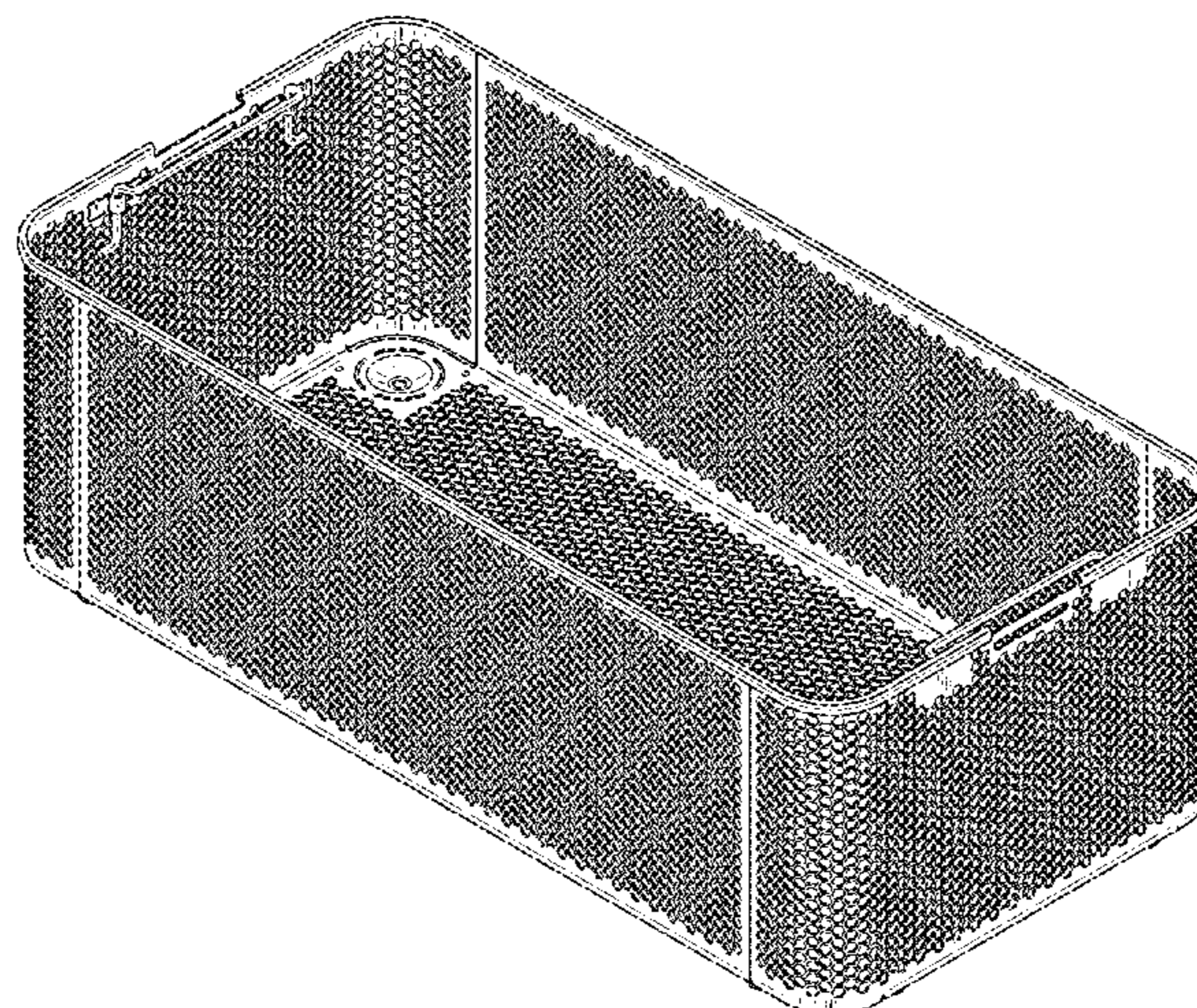


FIG. 4: is a top view thereof; and,  
 FIG. 5: is a back view thereof.

**1 Claim, 5 Drawing Sheets**

(58) **Field of Classification Search**

CPC ..... A61F 2002/4066; A61F 2002/407; A61F  
 2002/4074; A61F 2002/4077; A61F  
 2/4081; A61F 2002/4085; A61F  
 2002/4088; A61F 2002/4092; A61F  
 2002/4096; A61F 2/442; A61F 2/4425;  
 A61F 2/4455; A61F 2/4465; A61F 2/447;  
 A61F 2/4611; A61F 2002/2817; A61F  
 2002/2835; A61F 2002/3083; A61F  
 2002/30092; A61F 2002/30523; A61F  
 2003/30538; A61F 2/30771; A61F  
 2/30942; A61F 2002/30774; A61F  
 2002/30784; A61F 2002/30892; A61F  
 2002/30828; A61F 2002/3008; A61F  
 2002/30428; A61F 2002/30471; A61F  
 2002/30507; A61F 2002/30538; A61F  
 2002/30904; A61F 2002/30421; A61F  
 2002/443; A61F 2/30749; A61F  
 2002/30332; A61F 2002/30336; A61F  
 2002/30349; A61F 2002/30367; A61F  
 2002/305; A61F 2002/30878; A61F  
 2002/30617; A61N 1/05; A61N 1/0051;  
 A61N 1/20; A61M 16/04; A61L 27/58;  
 A61L 27/34; A61L 27/3843; A61L 27/24;  
 A61L 2/26; A61L 2202/24; A61K 31/765

See application file for complete search history.

(56) **References Cited**

U.S. PATENT DOCUMENTS

6,012,577 A 1/2000 Lewis et al.  
 D423,217 S \* 4/2000 Varfeldt ..... D3/201

6,099,812 A 8/2000 Allen et al.  
 6,350,418 B1 2/2002 Venderpool et al.  
 6,382,575 B1 5/2002 Frush et al.  
 6,585,942 B1 7/2003 Bussell et al.  
 6,592,000 B1 7/2003 Owens et al.  
 6,634,499 B2 \* 10/2003 Allen ..... A61L 2/26  
 206/370  
 7,036,678 B2 5/2006 Eiskant et al.  
 D585,195 S \* 1/2009 Dominique ..... D3/304  
 D586,558 S \* 2/2009 Ziemann ..... D3/304  
 D683,963 S \* 6/2013 Tsai ..... D3/304  
 D865,364 S \* 11/2019 Brunner ..... D3/304  
 D901,180 S \* 11/2020 Li ..... D3/305  
 2006/0213794 A1 \* 9/2006 Foreman ..... A61B 50/34  
 206/370  
 2007/0215507 A1 \* 9/2007 Glenn ..... A61B 50/33  
 206/438  
 2017/0224434 A1 \* 8/2017 Schwartzbauer ..... A61B 50/33  
 2018/0153639 A1 \* 6/2018 Wehrle ..... G06K 7/10366  
 2019/0159858 A1 \* 5/2019 Zieris ..... A61B 50/00

OTHER PUBLICATIONS

Synthes, “Modular Graphic Case System”, first available Jun. 2011.  
 ([http://synthes.vo.llnwd.net/o16/LLNWMB8/US\\_Mobile/SynthesNorthAmerica/ProductSupportMaterials/ReferenceGuides/SURGModGraphicCaseJ9790A.pdf](http://synthes.vo.llnwd.net/o16/LLNWMB8/US_Mobile/SynthesNorthAmerica/ProductSupportMaterials/ReferenceGuides/SURGModGraphicCaseJ9790A.pdf)) (Year: 2011).\*

Johnson and Johnson, “Universal Small Fragment System”, first available Mar. 2019. ([https://www.jnjmedicaldevices.com/sites/default/files/user\\_uploaded\\_assets/pdf\\_assets/2019-07/Universal\\_Small\\_Fragment\\_System\\_Brochure.pdf](https://www.jnjmedicaldevices.com/sites/default/files/user_uploaded_assets/pdf_assets/2019-07/Universal_Small_Fragment_System_Brochure.pdf)) (Year: 2019).\*

Johnson and Johnson, “Depuy Synthes Spine Screw Removal System”, first available 2019. ([http://synthes.vo.llnwd.net/o16/LLNWMB8/INTMobile/SynthesInternational/ProductSupportMaterial/legacy\\_Synthes\\_PDF/094716.pdf](http://synthes.vo.llnwd.net/o16/LLNWMB8/INTMobile/SynthesInternational/ProductSupportMaterial/legacy_Synthes_PDF/094716.pdf)) (Year: 2019).\*

[https://www.paragonmedical.com/products\\_cases\\_and\\_trays.html](https://www.paragonmedical.com/products_cases_and_trays.html).

\* cited by examiner

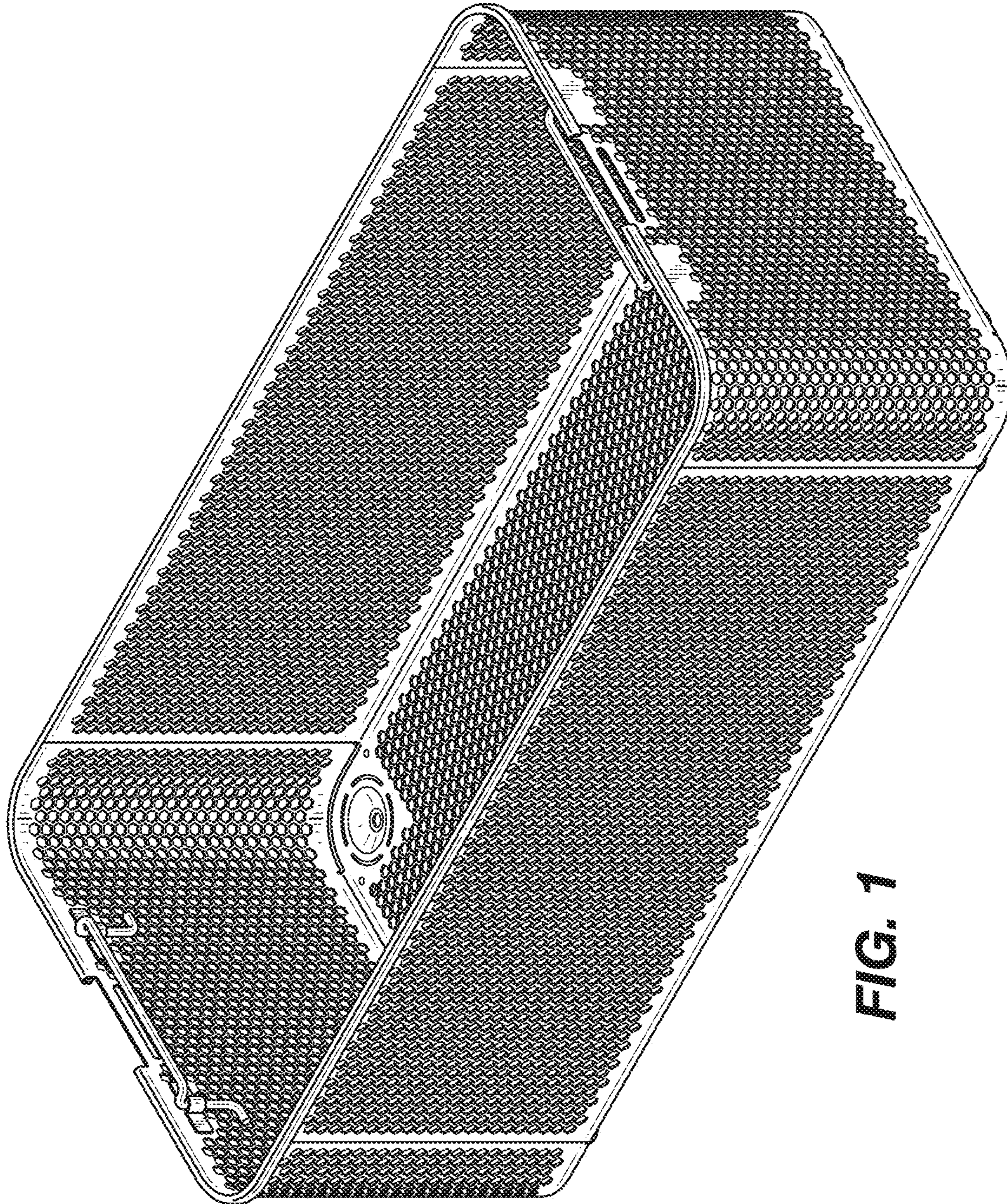


FIG. 1

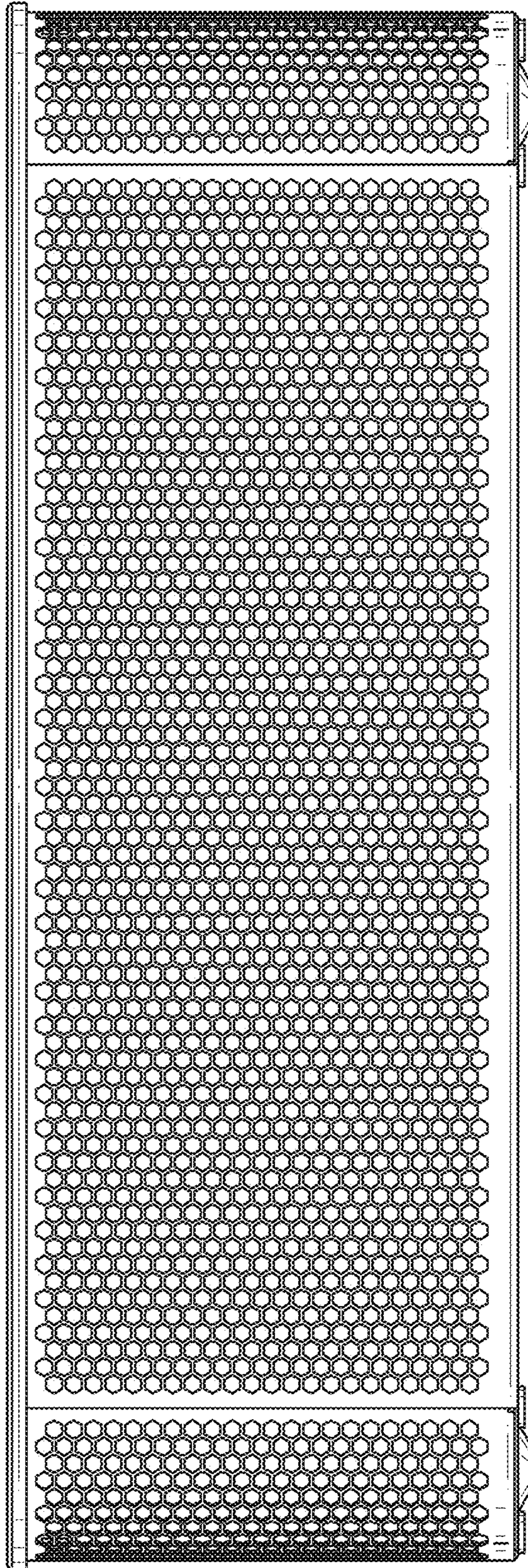
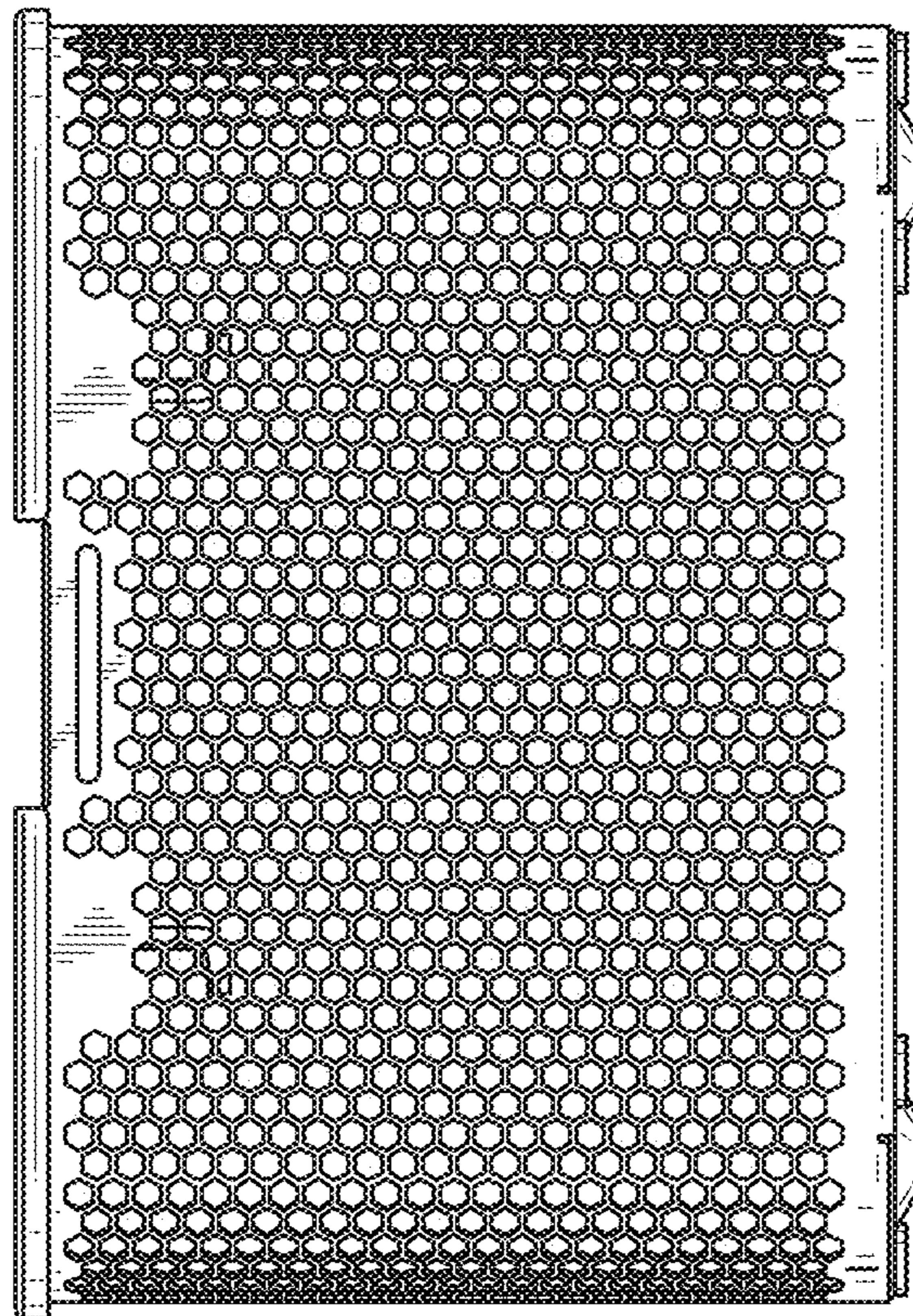


FIG. 2



**FIG. 3**

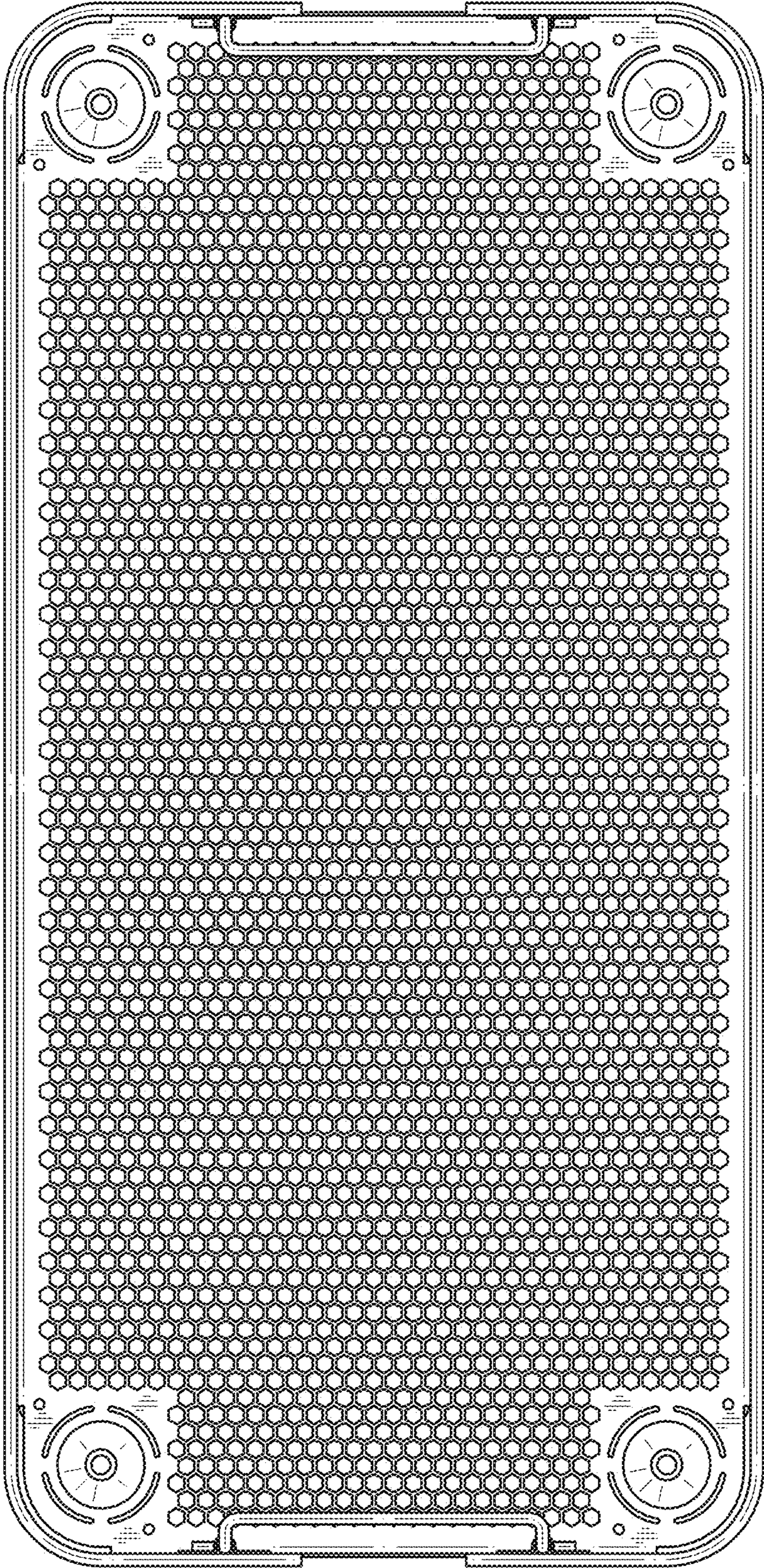


FIG. 4

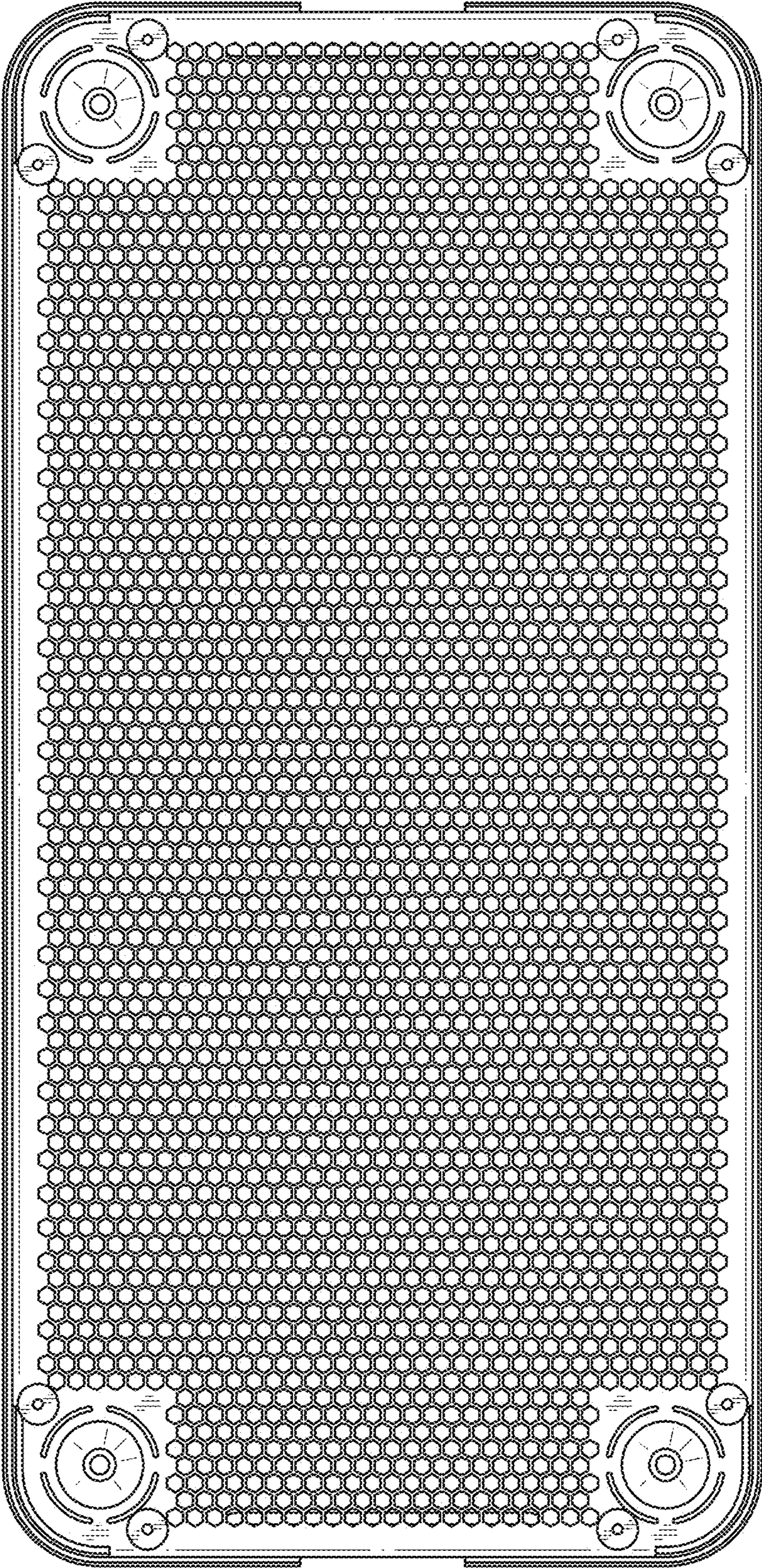


FIG. 5