

US00D925761S

(12) **United States Design Patent** (10) **Patent No.:** **US D925,761 S**
LaPorte et al. (45) **Date of Patent:** **** Jul. 20, 2021**

(54) **SANITIZATION CABINET**
 (71) Applicant: **PHONESOAP LLC**, Lindon, UT (US)

2016/0213798 A1* 7/2016 Paver, Jr. A61L 2/24
 2018/0236114 A1* 8/2018 Davis A61L 2/24
 2018/0357385 A1* 12/2018 LaPorte G16H 40/40

(72) Inventors: **Wesley David LaPorte**, Provo, UT (US); **Daniel Harrison Barnes**, Orem, UT (US)

FOREIGN PATENT DOCUMENTS

CN 305126481 4/2019
 JP D1593286 12/2017
 TW D197729 6/2019

(73) Assignee: **Phonsoap LLC**, Lehi, UT (US)

(**) Term: **15 Years**

OTHER PUBLICATIONS

HomeSoap UV Sanitizer | Patented & Clinically Proven UV Light Disinfectant | (Black). Retrieved from Amazon.com. Product first available on Oct. 18, 2019.*

(21) Appl. No.: **29/711,767**

(22) Filed: **Nov. 1, 2019**

(51) **LOC (13) Cl.** **24-01**

* cited by examiner

(52) **U.S. Cl.**
 USPC **D24/217**

Primary Examiner — Anhdao Doan

(58) **Field of Classification Search**
 USPC D24/216, 217, 218, 219, 232, 227–230;
 D03/294; D32/1
 CPC A61L 2/26; A61L 2/24; A61L 2/07; A61L 2/08;
 A61L 2/18; A61L 2/025; A61L 2202/122; A61L 2202/10;
 A61L 2202/11; A61L 2202/14; A61L 2202/23; A61L 2202/24;
 A61L 2202/182
 See application file for complete search history.

(74) *Attorney, Agent, or Firm* — Stoel Rives LLP

(57) **CLAIM**

The ornamental design for a sanitization cabinet, as shown and described.

DESCRIPTION

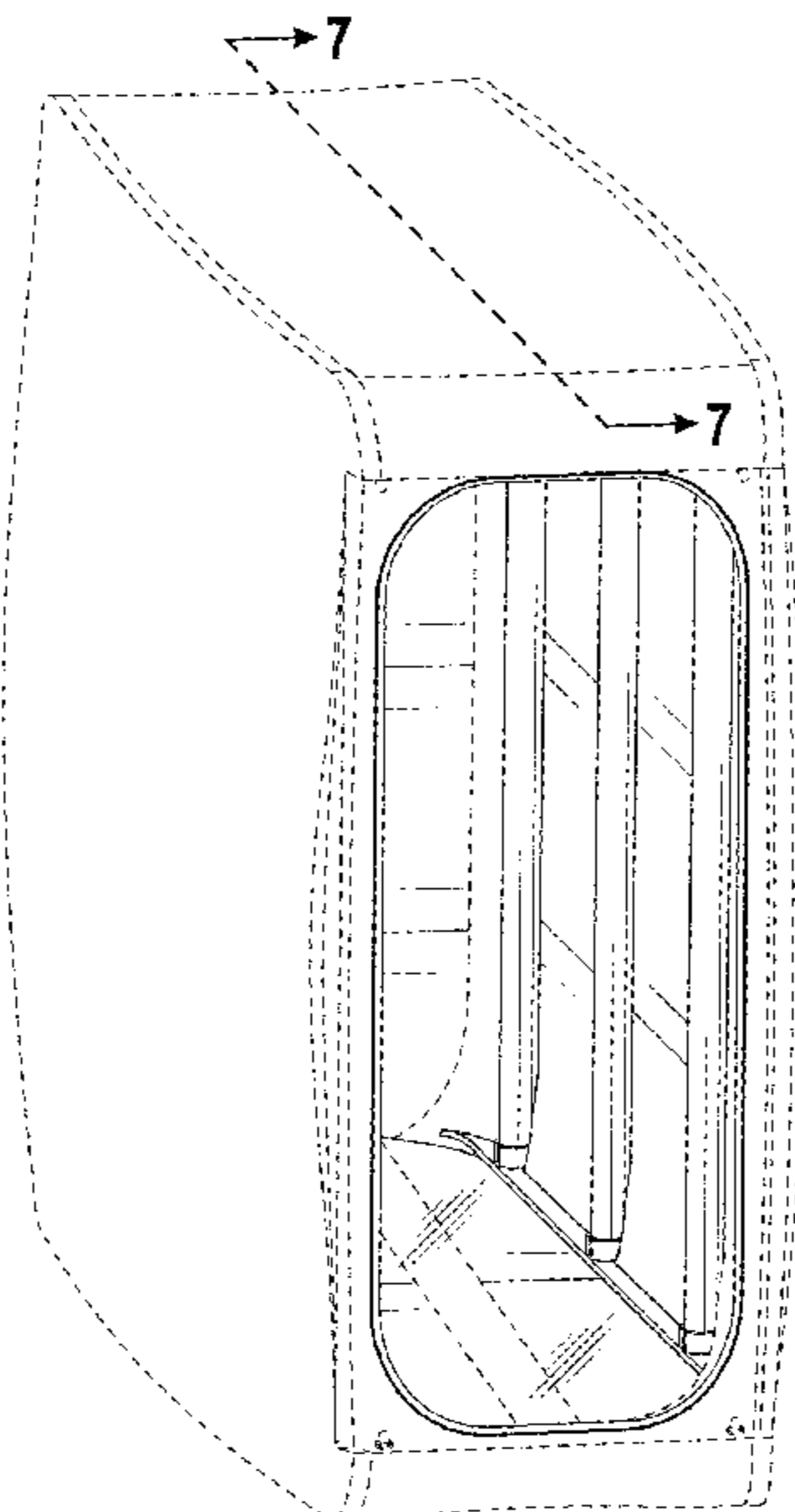
FIG. 1 is a bottom front perspective view of a sanitization cabinet, showing our new design;
 FIG. 2 is a top front perspective view thereof;
 FIG. 3 is a top front and left side front perspective view thereof;
 FIG. 4 is a top front and right side perspective view thereof;
 FIG. 5 is a bottom front and right side front perspective view thereof;
 FIG. 6 is a bottom front and left side perspective view thereof;
 FIG. 7 is right cross-sectional view thereof; and,
 FIG. 8 is a left cross-sectional view thereof.
 The broken lines depict portions of the sanitization cabinet that form no part of the claimed design.

(56) **References Cited**

U.S. PATENT DOCUMENTS

D313,651 S * 1/1991 Michelson D24/217
 D716,964 S * 11/2014 Amor D24/217
 D717,966 S 11/2014 Elson
 9,107,973 B1 * 8/2015 Robinson A61L 2/10
 D851,849 S * 6/2019 Yoo D32/25
 10,744,215 B2 * 8/2020 LaPorte G08B 21/245
 D896,979 S * 9/2020 Schumaier D24/217
 2014/0264075 A1 * 9/2014 LaPorte A61L 9/00
 250/455.11
 2016/0074546 A1 * 3/2016 Rizzone A61L 2/26
 250/455.11

1 Claim, 4 Drawing Sheets



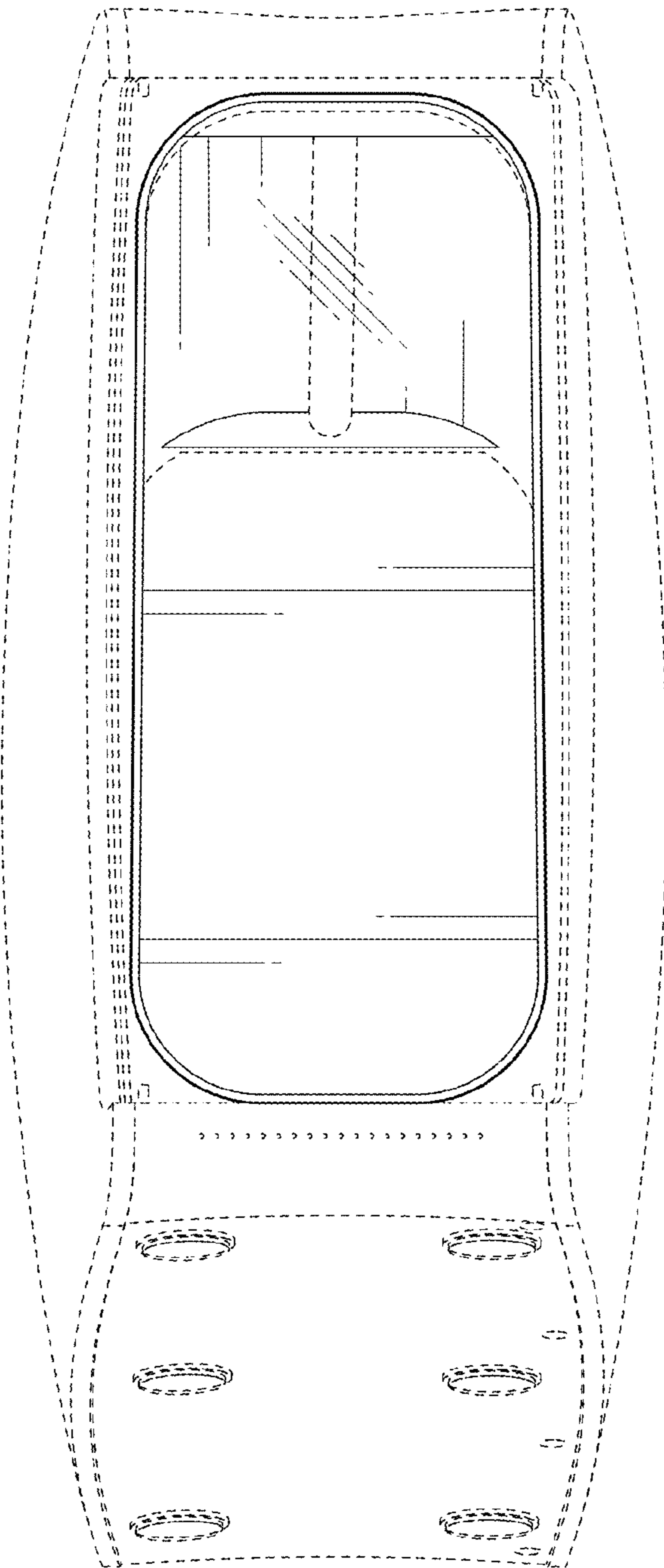


FIG. 1

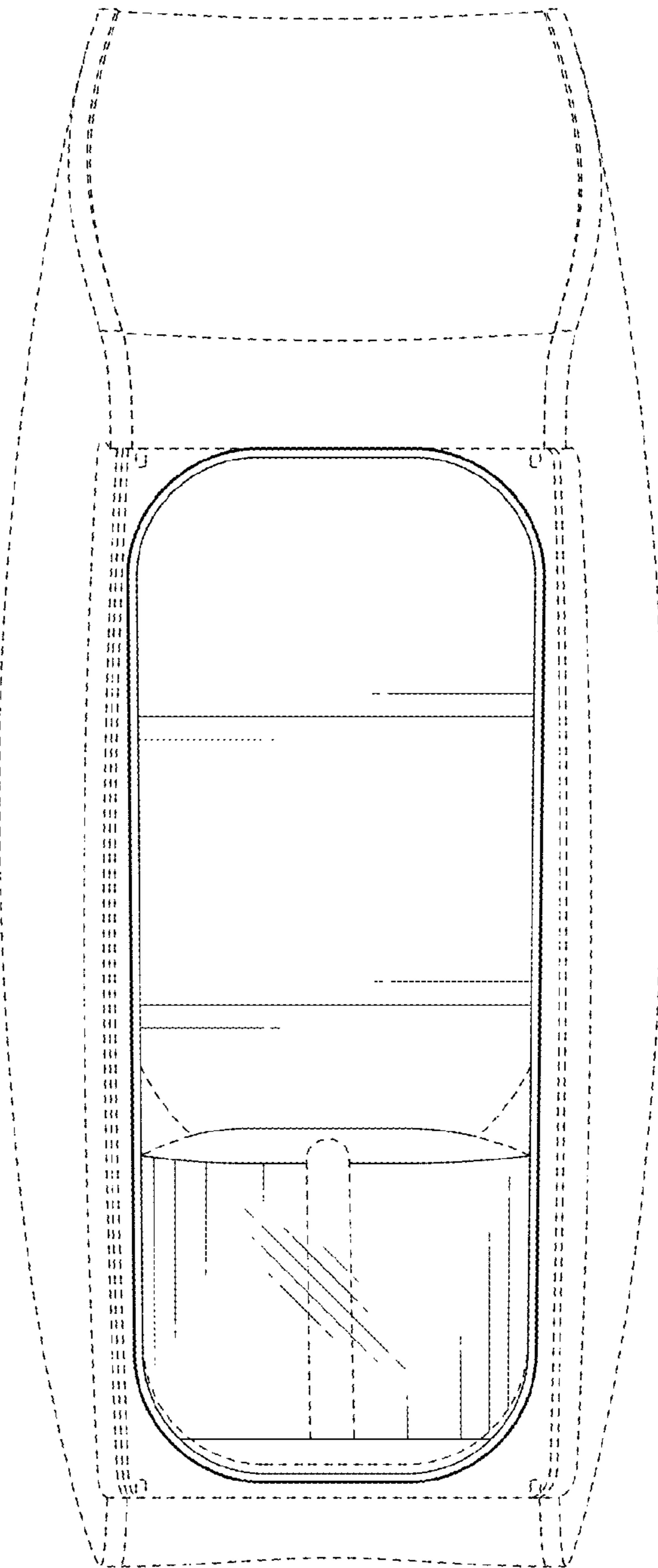


FIG. 2

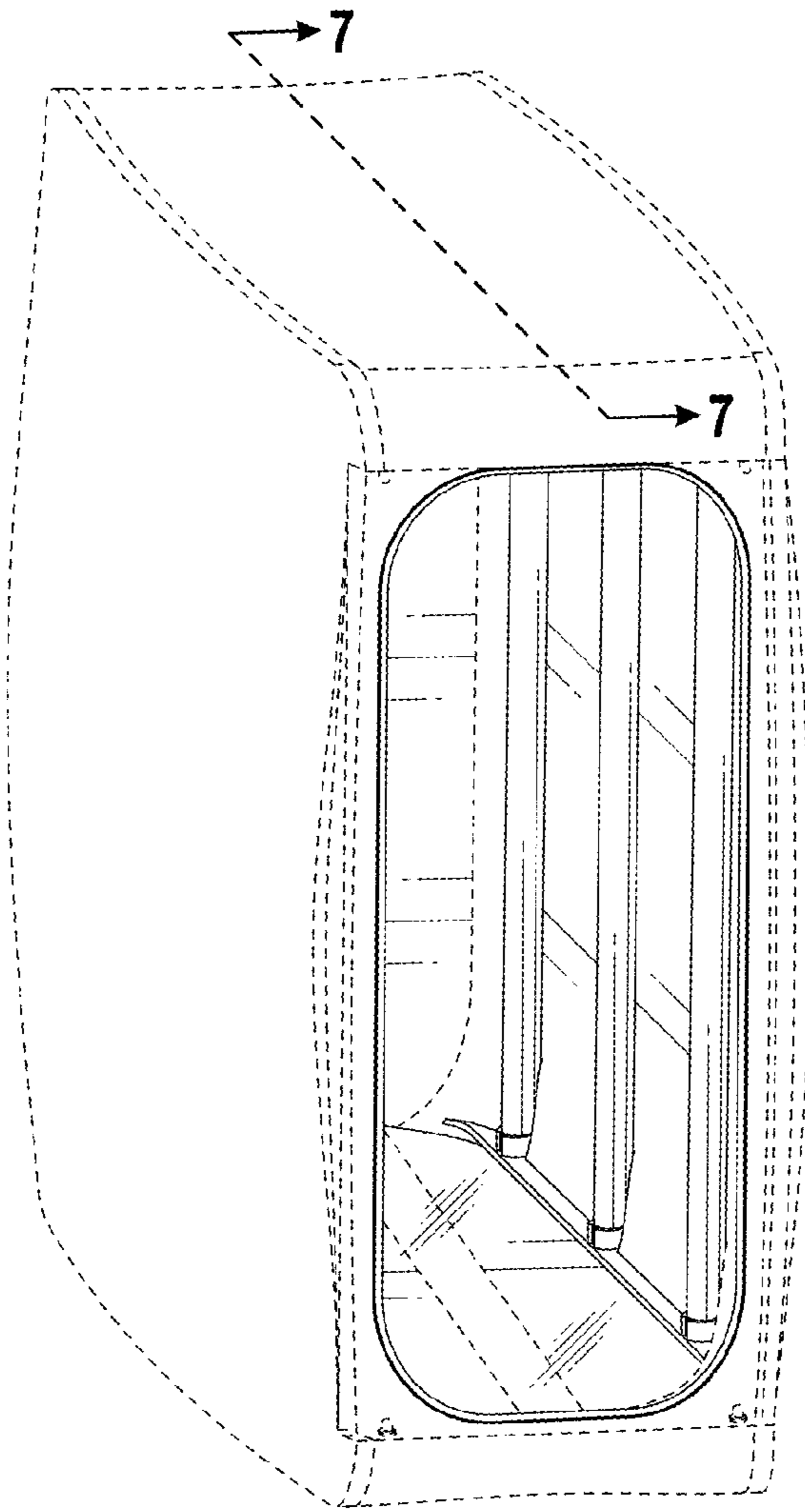


FIG. 3

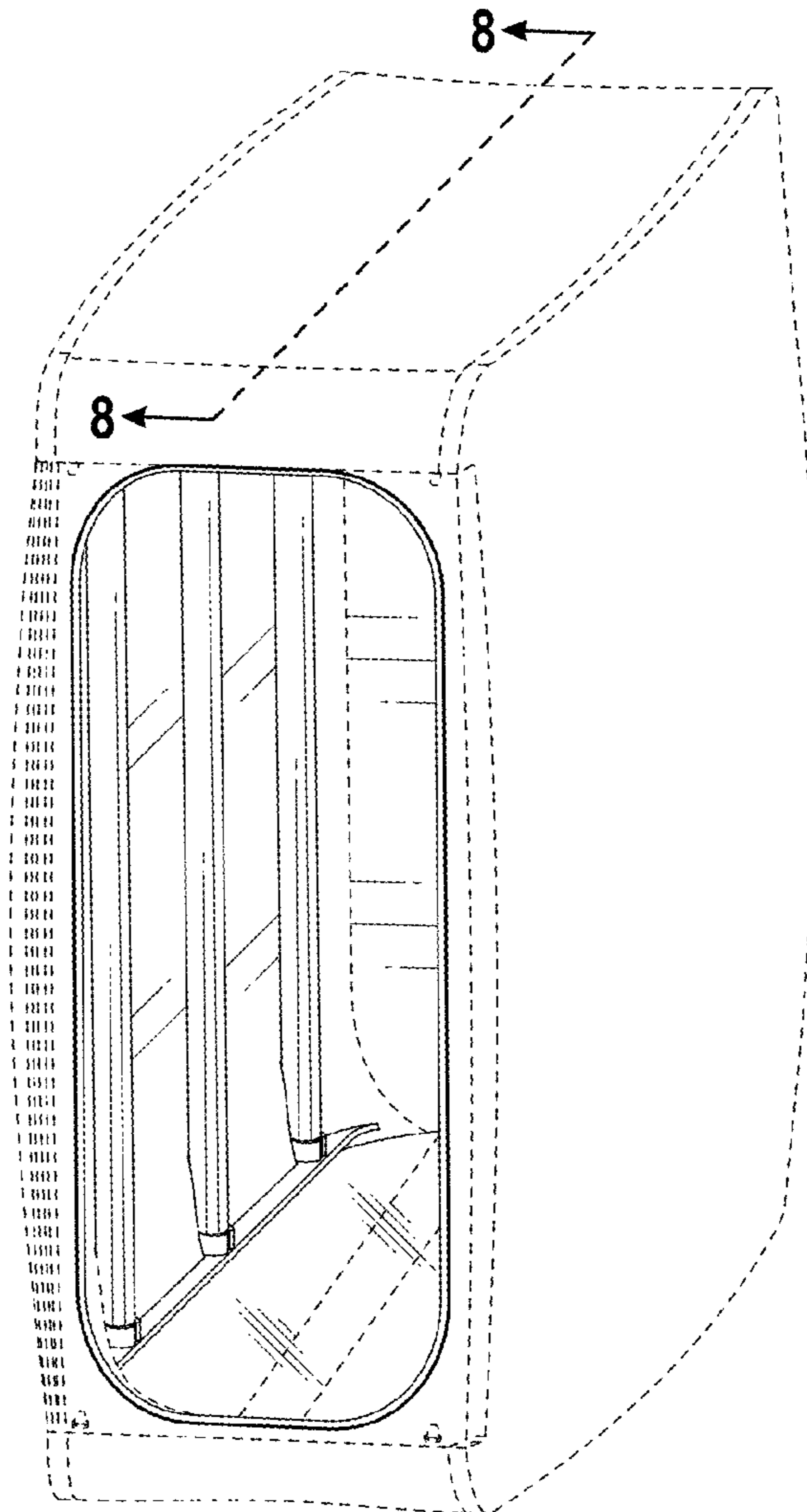


FIG. 4

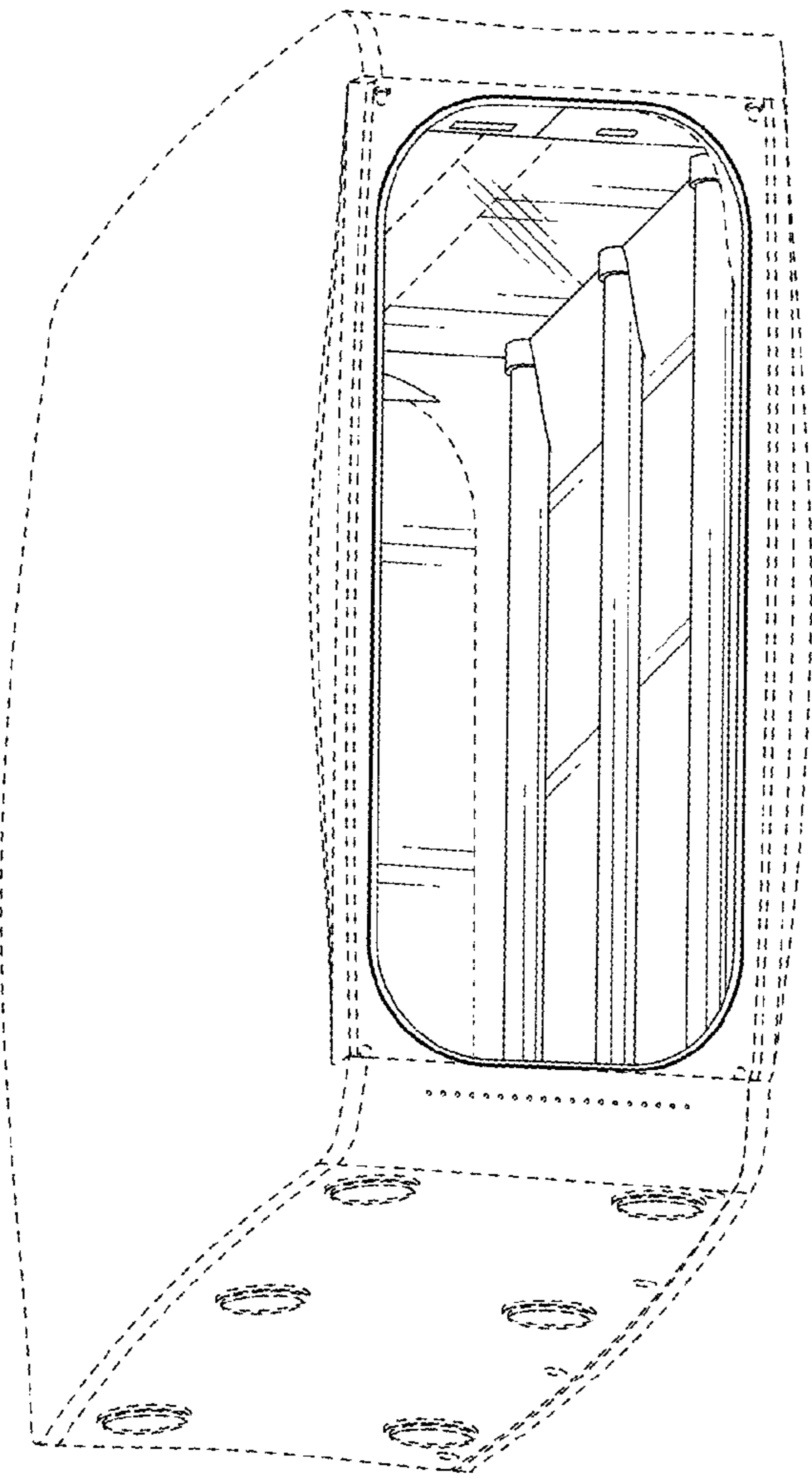


FIG. 5

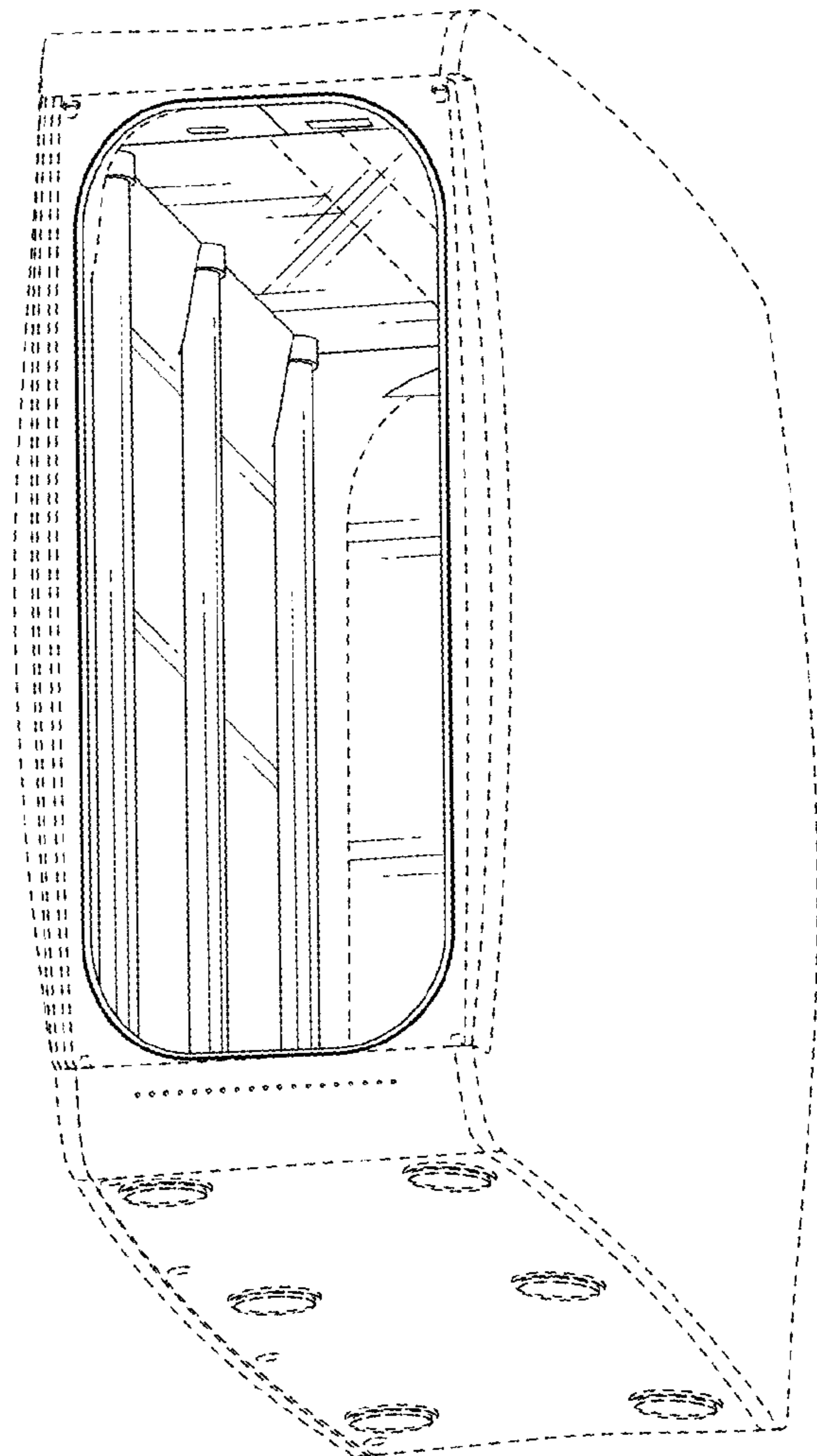


FIG. 6

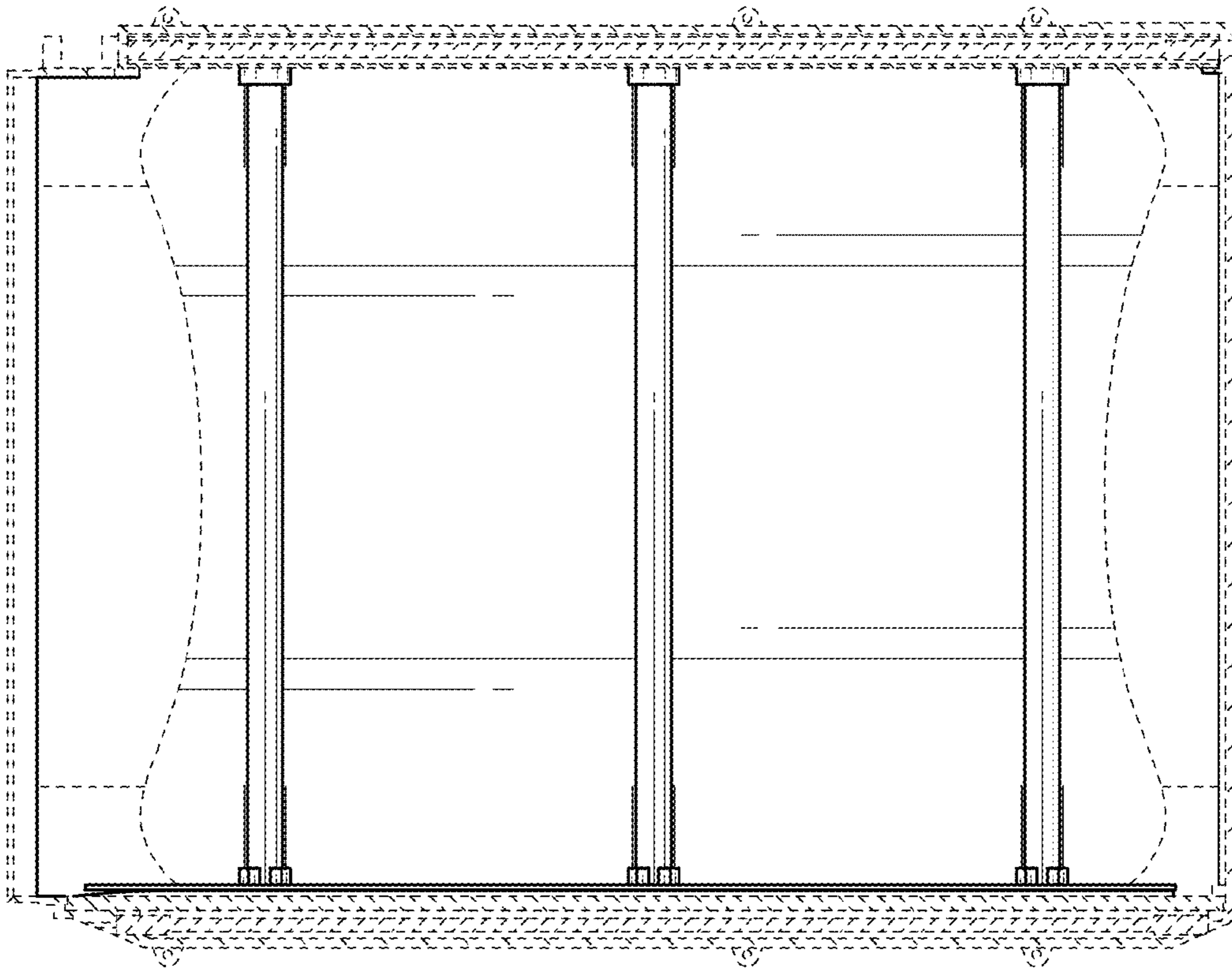


FIG. 7

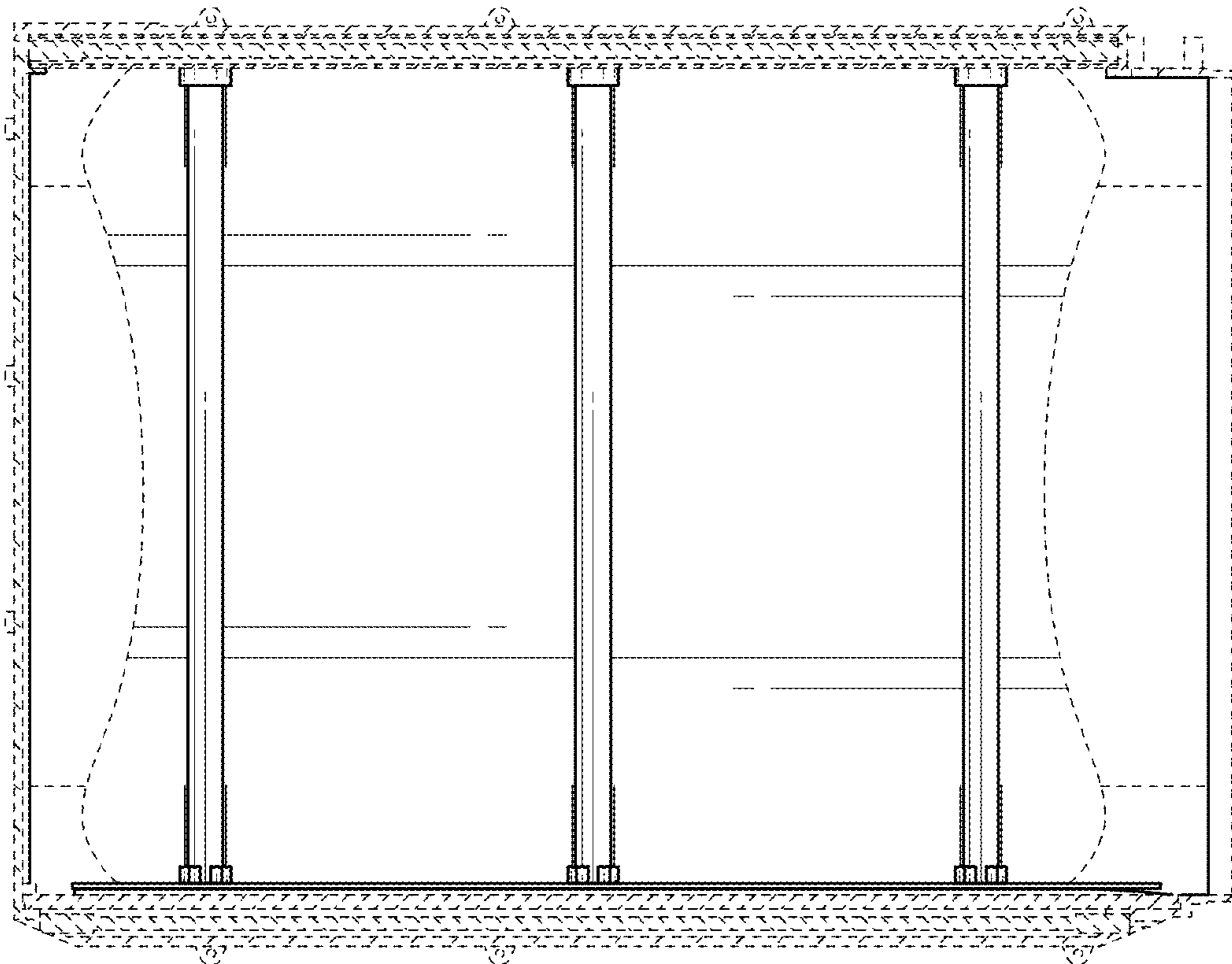


FIG. 8