



US00D925759S

(12) **United States Design Patent** (10) **Patent No.:** **US D925,759 S**  
**Suzuki** (45) **Date of Patent:** **\*\* Jul. 20, 2021**

(54) **VACUUM DESICCATOR**

(71) Applicant: **ULVAC KIKO, INC.**, Miyazaki (JP)  
(72) Inventor: **Yugo Suzuki**, Miyazaki (JP)  
(73) Assignee: **ULVAC KIKO, INC.**, Miyazaki (JP)  
(\*\*) Term: **15 Years**

(21) Appl. No.: **29/678,492**

(22) Filed: **Jan. 29, 2019**

(30) **Foreign Application Priority Data**

Aug. 1, 2018 (JP) ..... 2018-016863

(51) **LOC (13) Cl.** ..... **24-02**

(52) **U.S. Cl.**  
USPC ..... **D24/216**

(58) **Field of Classification Search**  
USPC ..... D32/31, 32, 34; D34/92, 255; D24/216  
CPC ..... F26B 9/003  
See application file for complete search history.

(56) **References Cited**

**U.S. PATENT DOCUMENTS**

2,360,108	A *	10/1944	Christie	.....	B01L 1/02
					34/255
2,742,709	A *	4/1956	De Woody	.....	B01L 1/02
					34/92
D598,122	S *	8/2009	Shigesada	.....	D24/216
D608,900	S *	1/2010	Giraud	.....	D24/216
D658,307	S *	4/2012	Recchi	.....	D24/216
D676,567	S *	2/2013	van den Engh	.....	D24/216
D697,632	S *	1/2014	Dagiral	.....	D24/216
D717,462	S *	11/2014	Wainwright	.....	D24/216
2007/0209225	A1 *	9/2007	Thom	.....	F26B 9/003
					34/92

**OTHER PUBLICATIONS**

<https://www.agarscientific.com/hot-vac-mini-vacuum-desiccator> (Year accessed on: 2020).\*  
[Nov. 10, 2020 3:13 PM] [https://showcase.ulvac.co.jp/en/products/small-film-forming-equipment/index.html?cat\\_m=small-vapor-deposition-system](https://showcase.ulvac.co.jp/en/products/small-film-forming-equipment/index.html?cat_m=small-vapor-deposition-system) (Year accessed on: 2020).\*  
<https://ulvac-kiko.com/en/product.php?action=detail&category=3&ID=VDE-3> (Year accessed on:2020).\*

\* cited by examiner

*Primary Examiner* — Michelle E. Wilson  
*Assistant Examiner* — Richard E Yenchesky  
(74) *Attorney, Agent, or Firm* — Saliwanchik, Lloyd & Eisenschenk

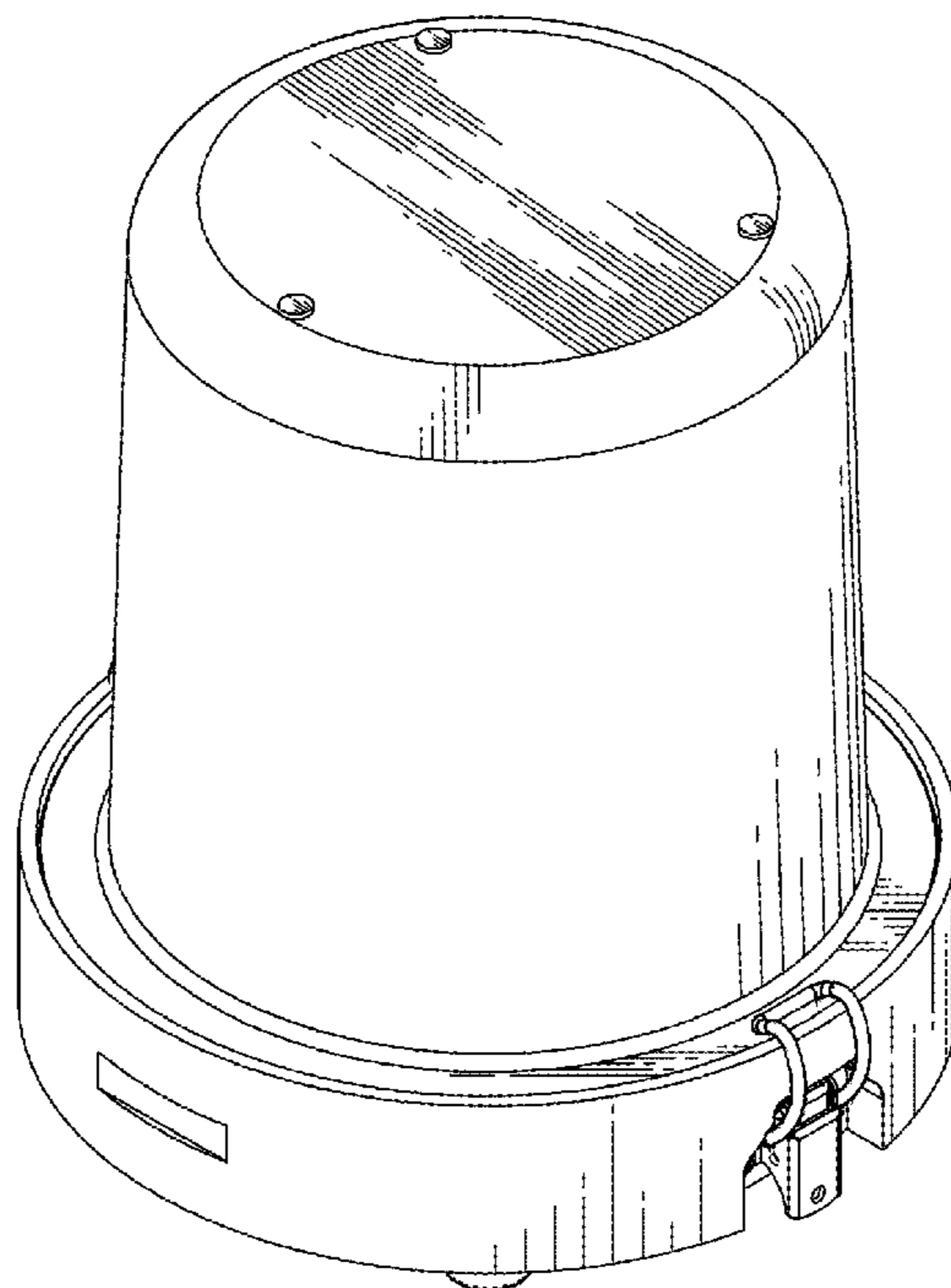
(57) **CLAIM**

The ornamental design for a vacuum desiccator, as shown and described.

**DESCRIPTION**

FIG. 1 is a perspective view of a vacuum desiccator showing my new design;  
FIG. 2 is a front elevational view thereof;  
FIG. 3 is a rear elevational view thereof;  
FIG. 4 is a right side elevational view thereof;  
FIG. 5 is a left side elevational view thereof;  
FIG. 6 is a top plan view thereof; and,  
FIG. 7 is a bottom plan view thereof.  
Portions of the vacuum desiccator depicted in broken lines form no part of the claimed design.

**1 Claim, 7 Drawing Sheets**



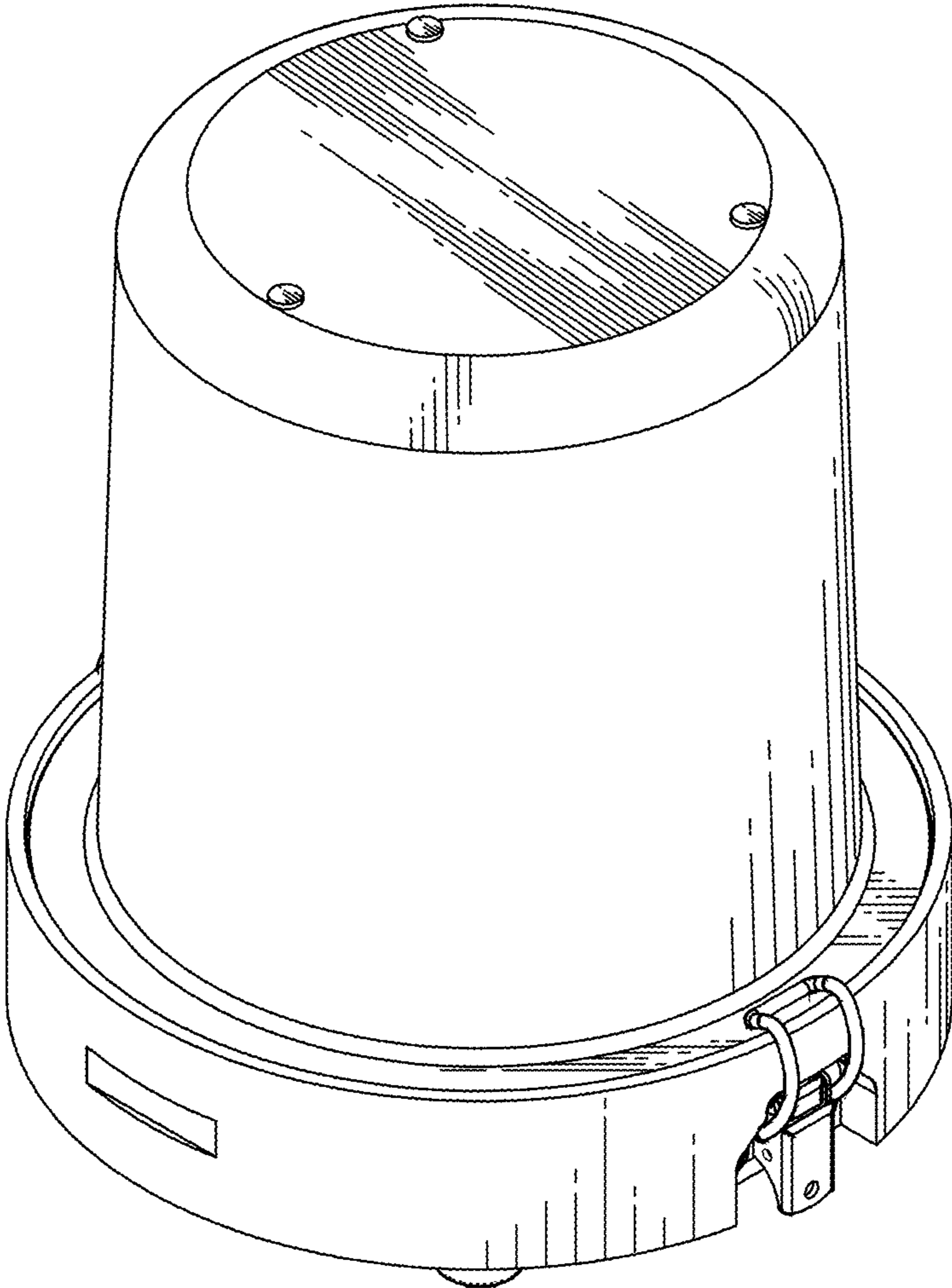


FIG.1

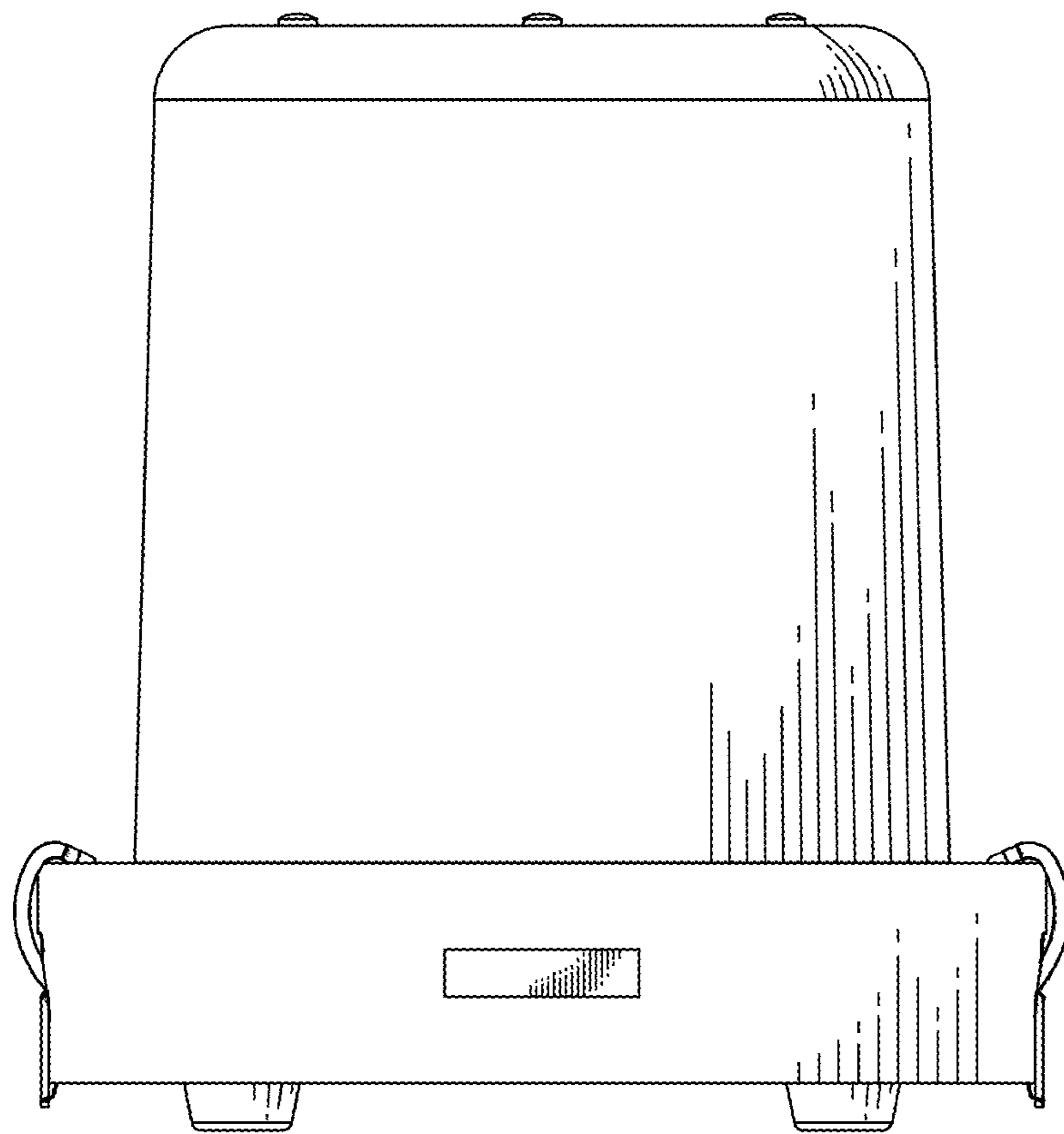


FIG.2

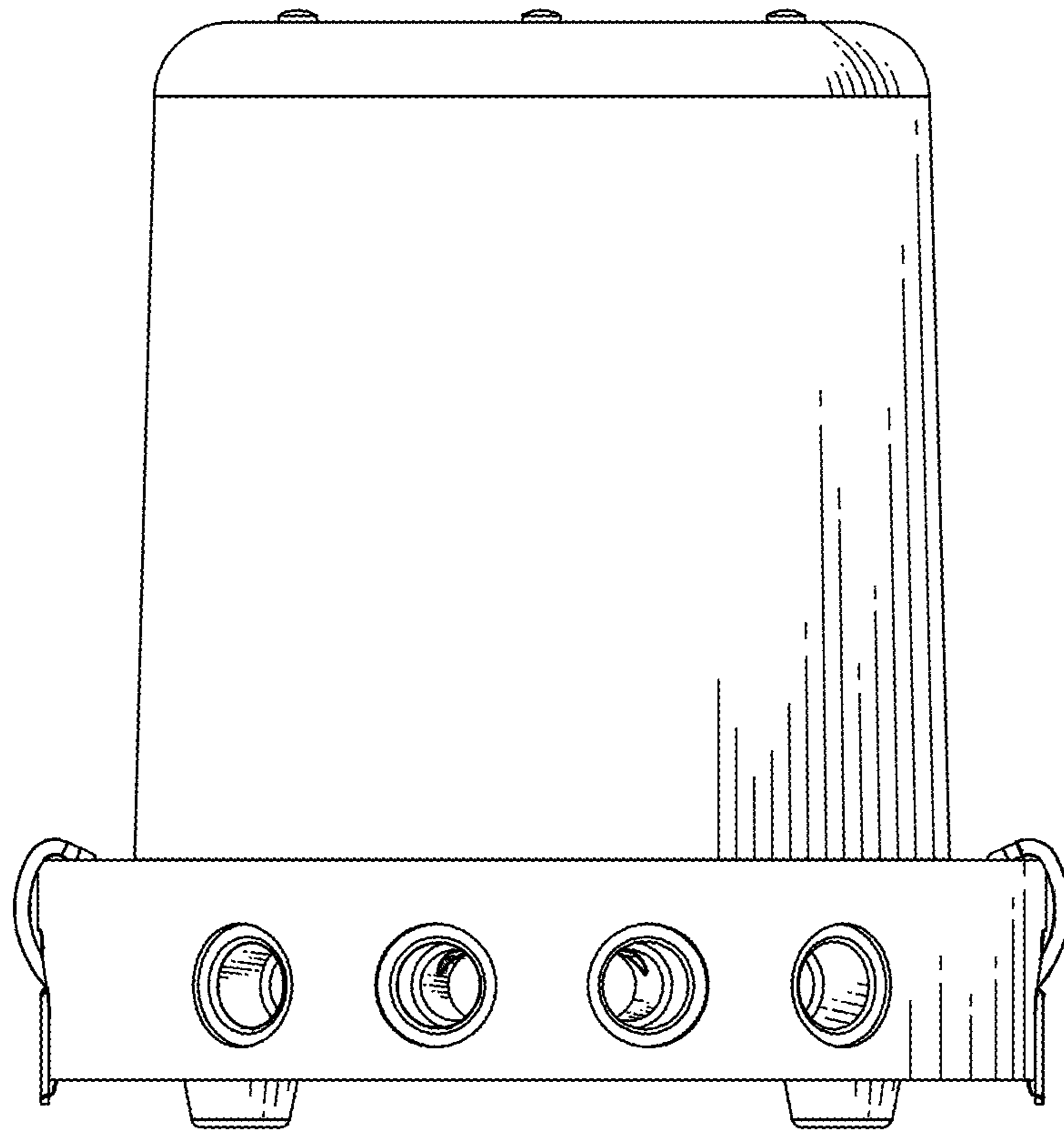


FIG.3

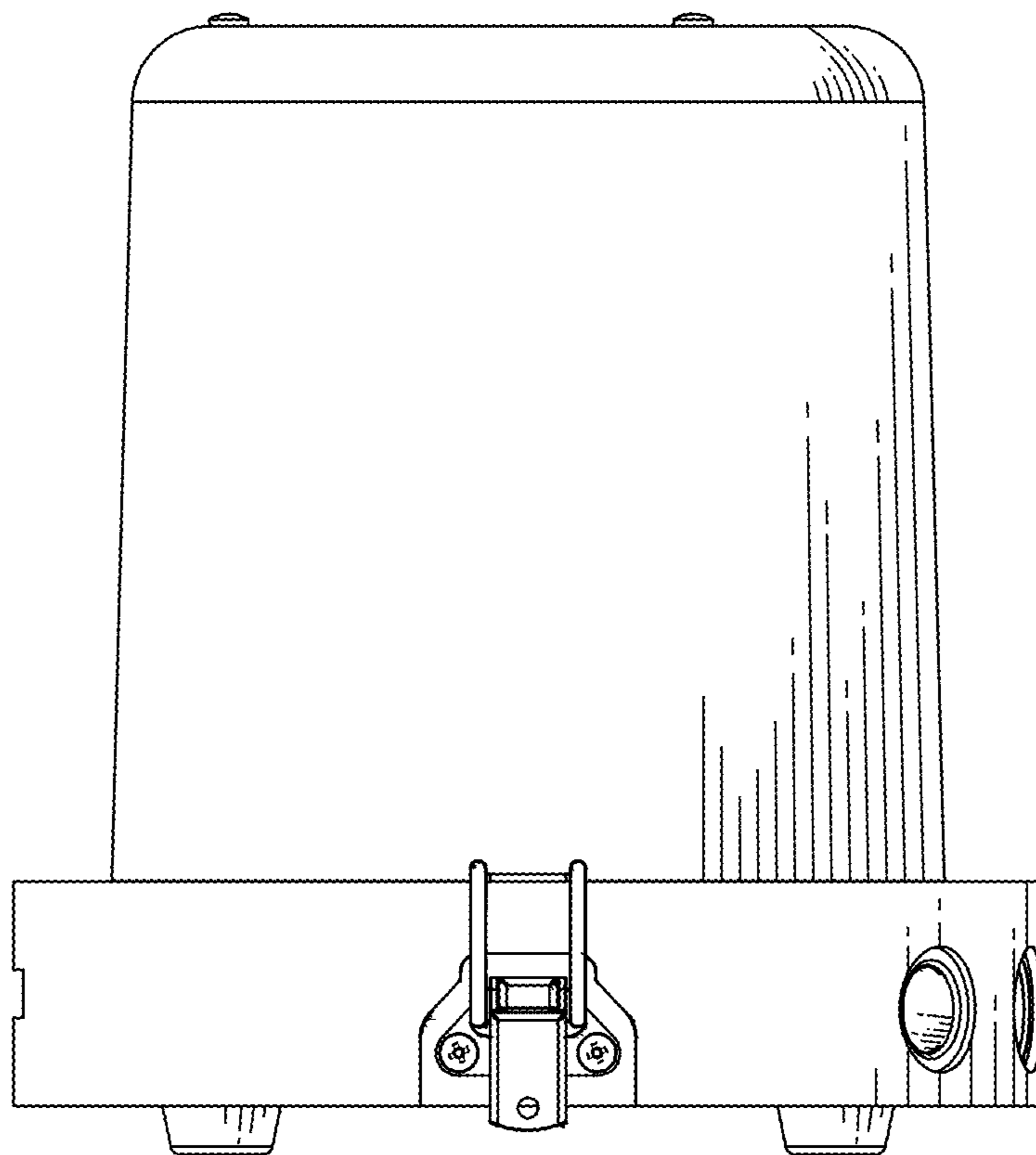


FIG.4

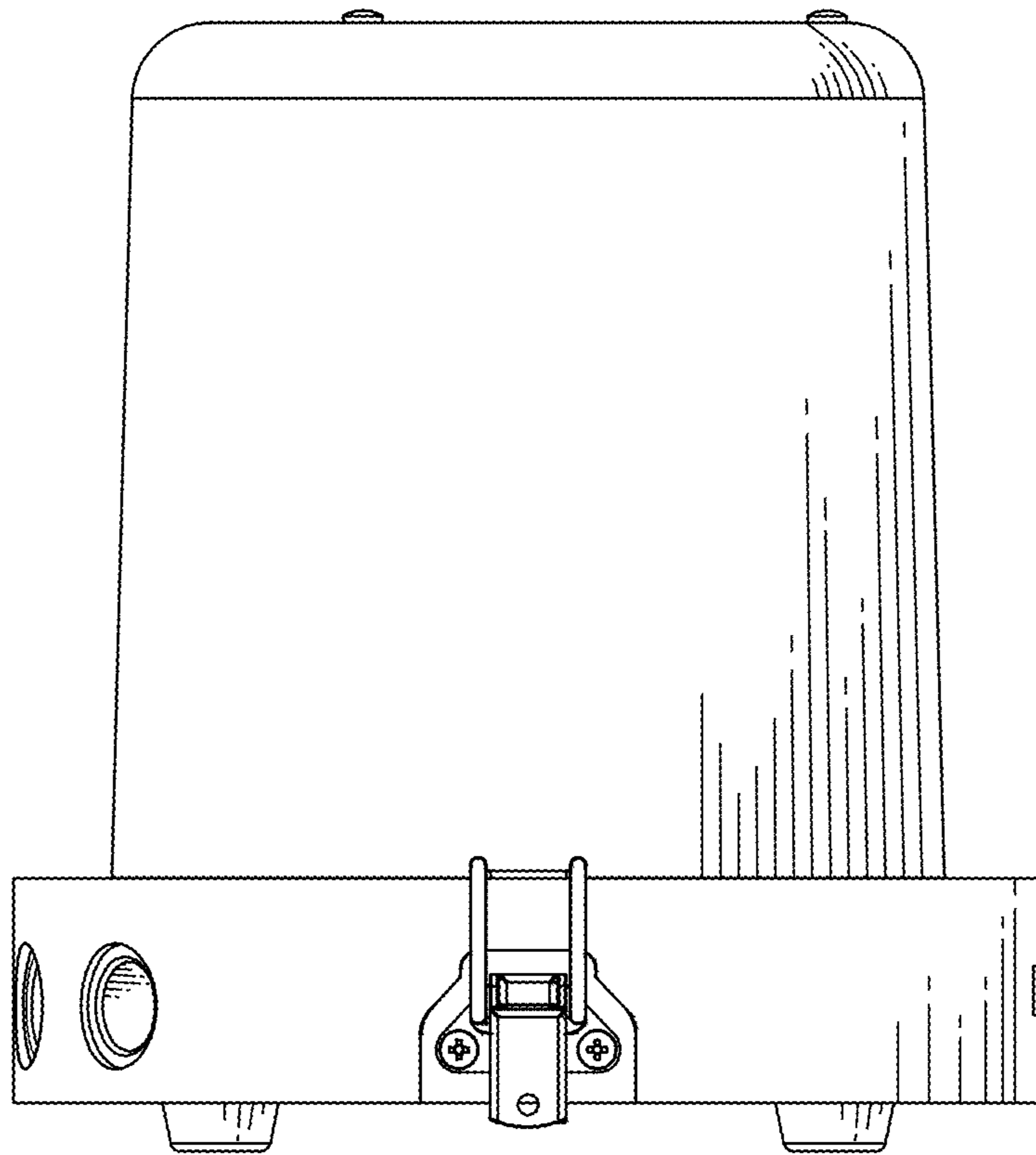


FIG.5

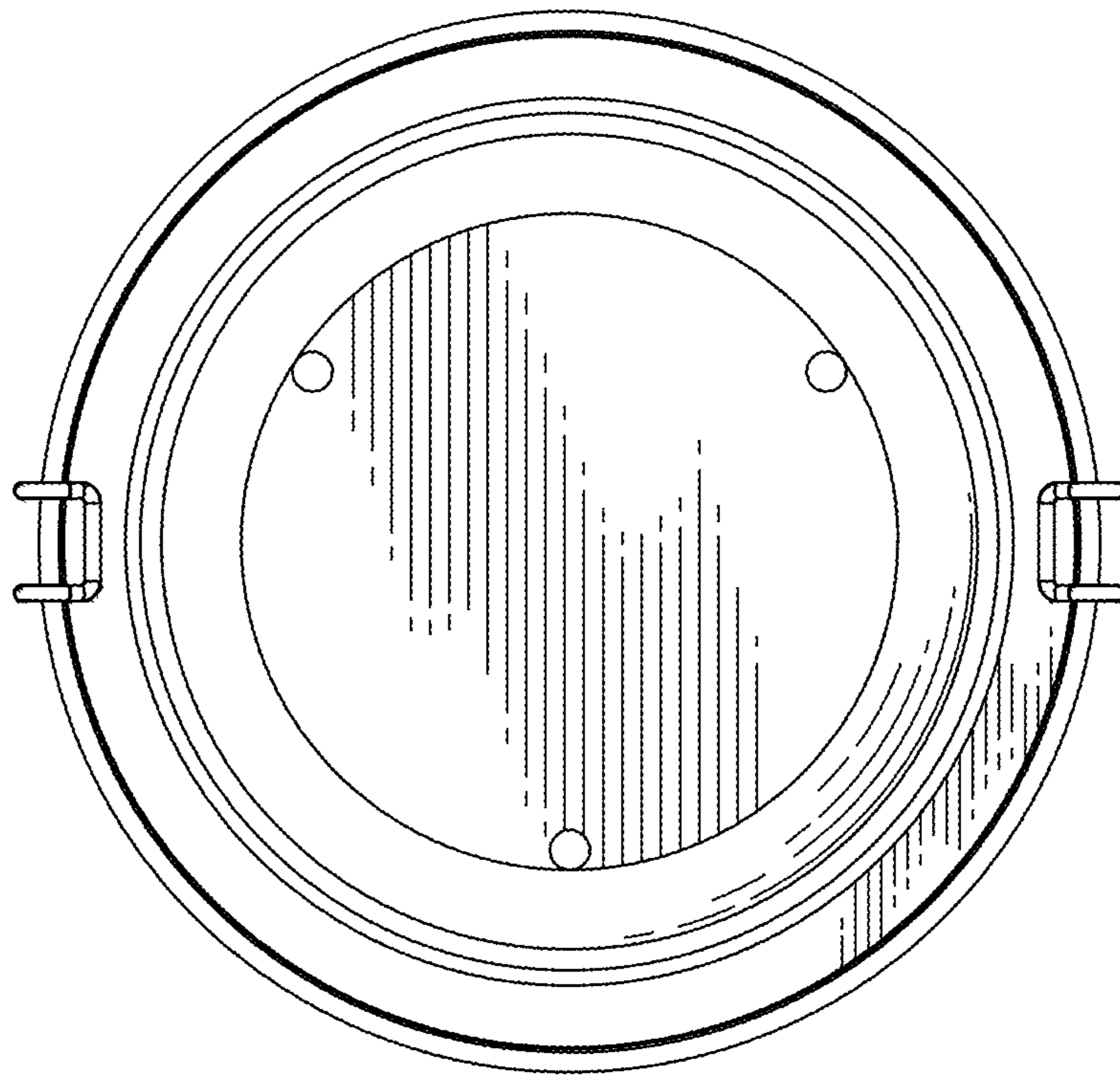


FIG.6

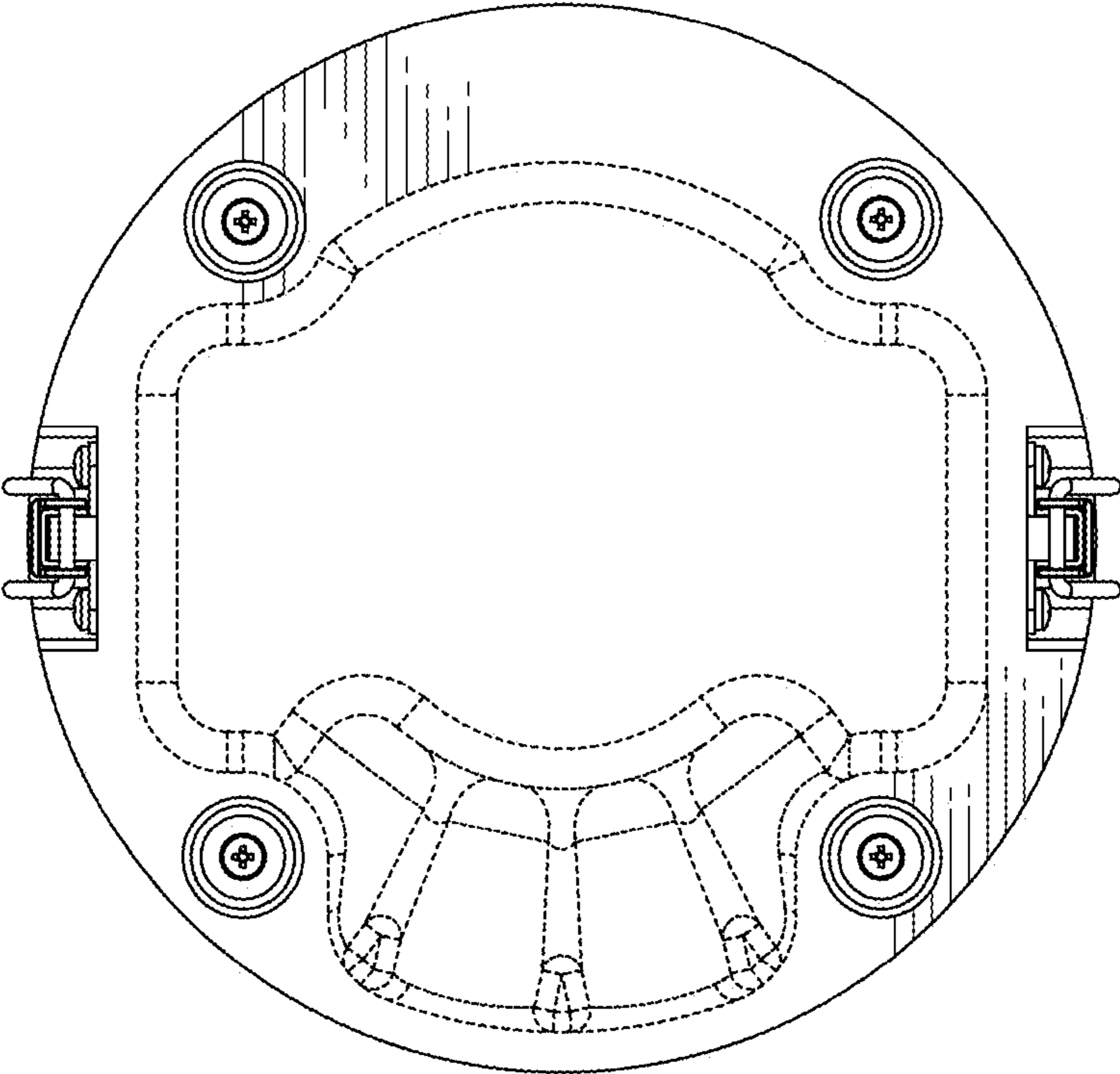


FIG.7