



US00D925755S

(12) **United States Design Patent** (10) **Patent No.:** **US D925,755 S**  
**Zheng** (45) **Date of Patent:** **\*\* Jul. 20, 2021**

(54) **FASCIA GUN**

(71) Applicant: **ZHEJIANG RUICHENG MECHANICAL POWER CO., LTD,**  
Jinhua (CN)

(72) Inventor: **Fangjun Zheng, Yongkang (CN)**

(\*\*) Term: **15 Years**

(21) Appl. No.: **29/725,933**

(22) Filed: **Feb. 27, 2020**

(30) **Foreign Application Priority Data**

Aug. 31, 2019 (CN) ..... 201930478892.X

(51) **LOC (13) Cl.** ..... **28-03**

(52) **U.S. Cl.**  
USPC ..... **D24/215**

(58) **Field of Classification Search**  
USPC ..... D24/215, 200, 211, 212, 213, 214, 133,  
D24/188, 107, 231; D8/14.1; D28/13  
CPC ..... A61H 9/00; A61H 9/005; A61H 9/0007;  
A61H 2015/0007; A61H 2015/0042;  
A61H 15/0092; A61H 23/00; A61H  
23/006; A61H 2023/002; A61H 23/06;  
A61H 23/0254; A61H 23/02; A61H  
2201/0153; A61H 2201/0157; A61H  
7/005; A61H 7/003; A61H 1/00; A61H  
1/008

See application file for complete search history.

(56) **References Cited**

U.S. PATENT DOCUMENTS

D855,822 S \* 8/2019 Marton ..... D24/215  
D877,351 S \* 3/2020 Wersland ..... D24/215  
D880,715 S \* 4/2020 Wersland ..... D24/215  
D880,716 S \* 4/2020 Wersland ..... D24/215  
D886,317 S \* 6/2020 Marton ..... D24/215

D893,738 S \* 8/2020 Zhuang ..... D24/215  
D907,229 S \* 1/2021 Zhang ..... D24/215  
D912,835 S \* 3/2021 Ren ..... D24/200  
2017/0304145 A1 \* 10/2017 Pepe ..... A61H 23/006  
2020/0085675 A1 \* 3/2020 Lee ..... A61H 1/00  
2020/0352820 A1 \* 11/2020 Nazarian ..... H02K 11/26

**OTHER PUBLICATIONS**

DEEP4S Percussive Therapy Device. Date: Jul. 17, 2019. [online].  
[Site visited Apr. 14, 2021]. Available from Internet URL: <https://www.amazon.com/dp/B07VGKQT55/> (Year: 2019).\*

MAIQI Massage Gun. Date: Jul. 15, 2019. [online]. [Site visited  
Apr. 23, 2021]. Available from Internet URL: <https://www.amazon.co.uk/dp/B07V9HGXQX/> (Year: 2019).\*

(Continued)

*Primary Examiner* — Susan Bennett Hattan  
*Assistant Examiner* — Landon Thomas Cassell

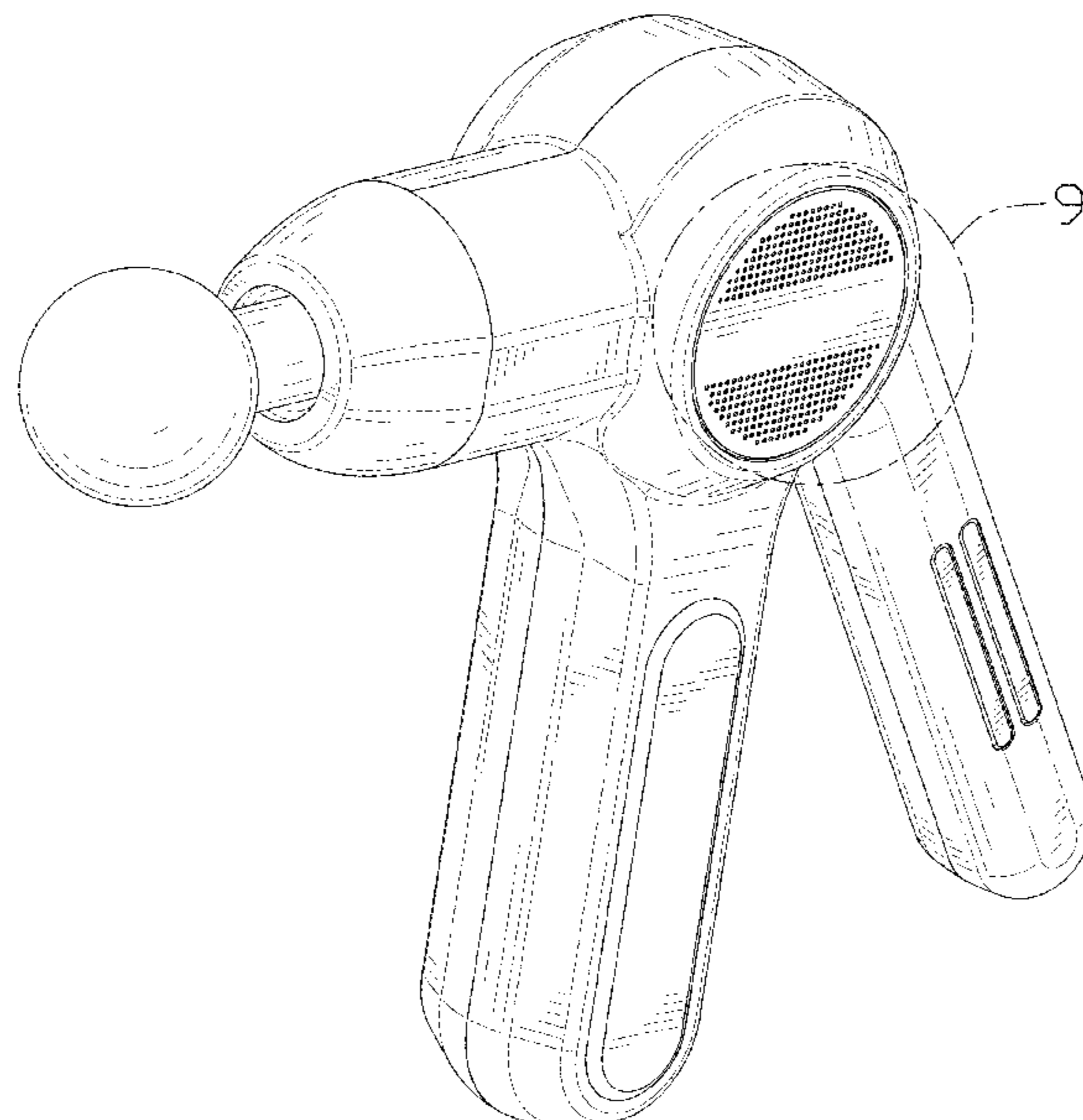
(57) **CLAIM**

The ornamental design for a fascia gun, as shown and described.

**DESCRIPTION**

FIG. 1 is a first perspective view of a fascia gun showing my new design;  
FIG. 2 is a second perspective view thereof;  
FIG. 3 is a front view thereof;  
FIG. 4 is a back view thereof;  
FIG. 5 is a left side view thereof;  
FIG. 6 is a right side view thereof;  
FIG. 7 is a top view thereof;  
FIG. 8 is a bottom view thereof; and,  
FIG. 9 is an enlarged view of the selected portion in FIG. 1. The broken lines shown in the drawings depict portions of the fascia gun in which the design is embodied that form no part of the claimed design.

**1 Claim, 9 Drawing Sheets**



(56)

**References Cited**

OTHER PUBLICATIONS

Massage Gun RC-MG-021. Date: Not listed, [online]. [Site visited Apr. 23, 2021]. Available from Internet URL: <http://www.zjruicheng.com/products/show.asp?i=91> (Year: NA).\*

Fascia Guns. (Design—© Questel) orbit.com. [Online PDF compilation of references] 32 pgs. Print Dates Range Oct. 30, 2018-Nov. 26, 2019 [Retrieved Apr. 23, 2021] <https://www.orbit.com/export/UCZAH96B/pdf4/c97643be-c32d-430d-bcbc-a36162ce99ac-191342.pdf> (Year: 2021).\*

\* cited by examiner

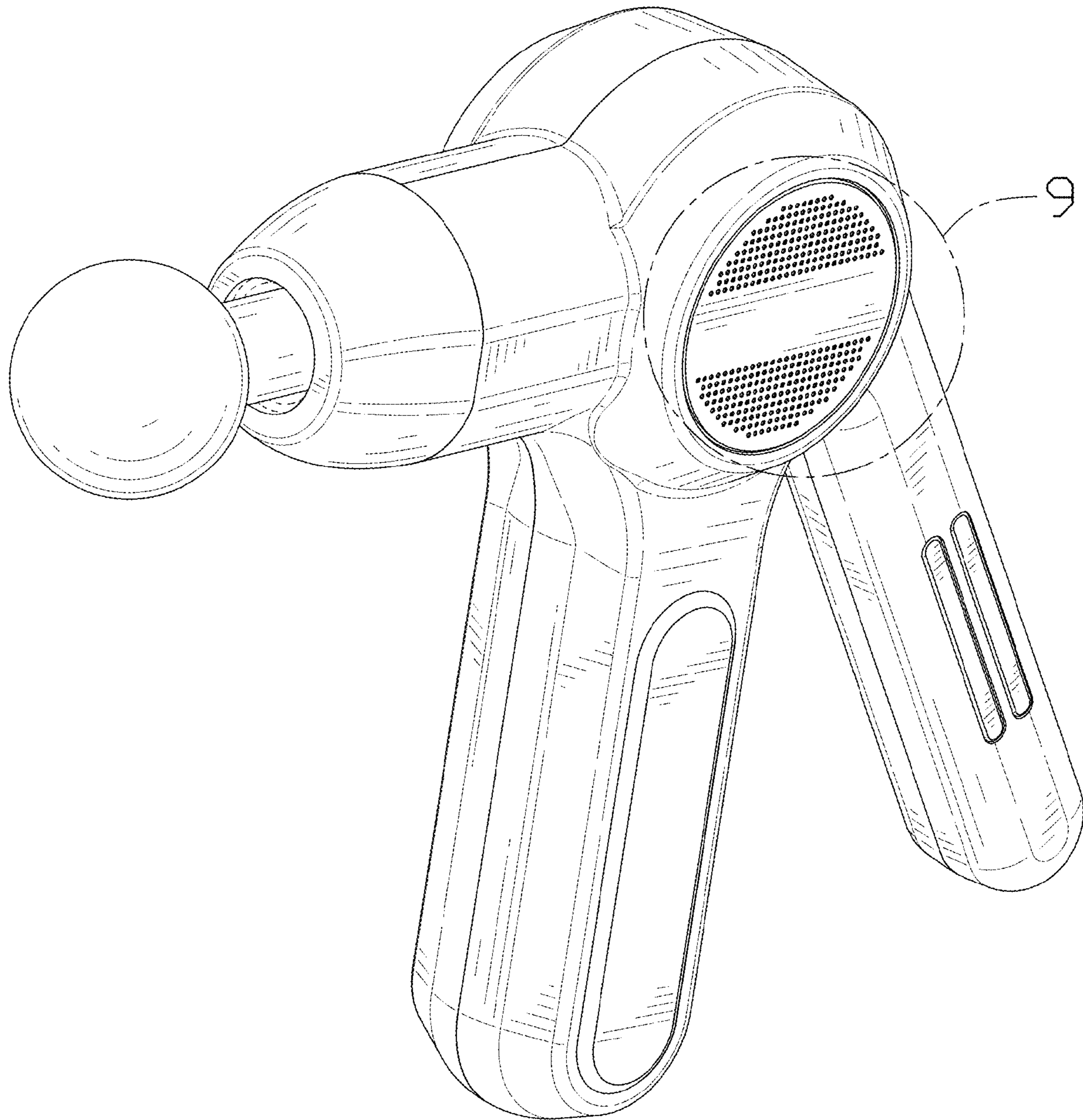


FIG. 1



FIG. 2

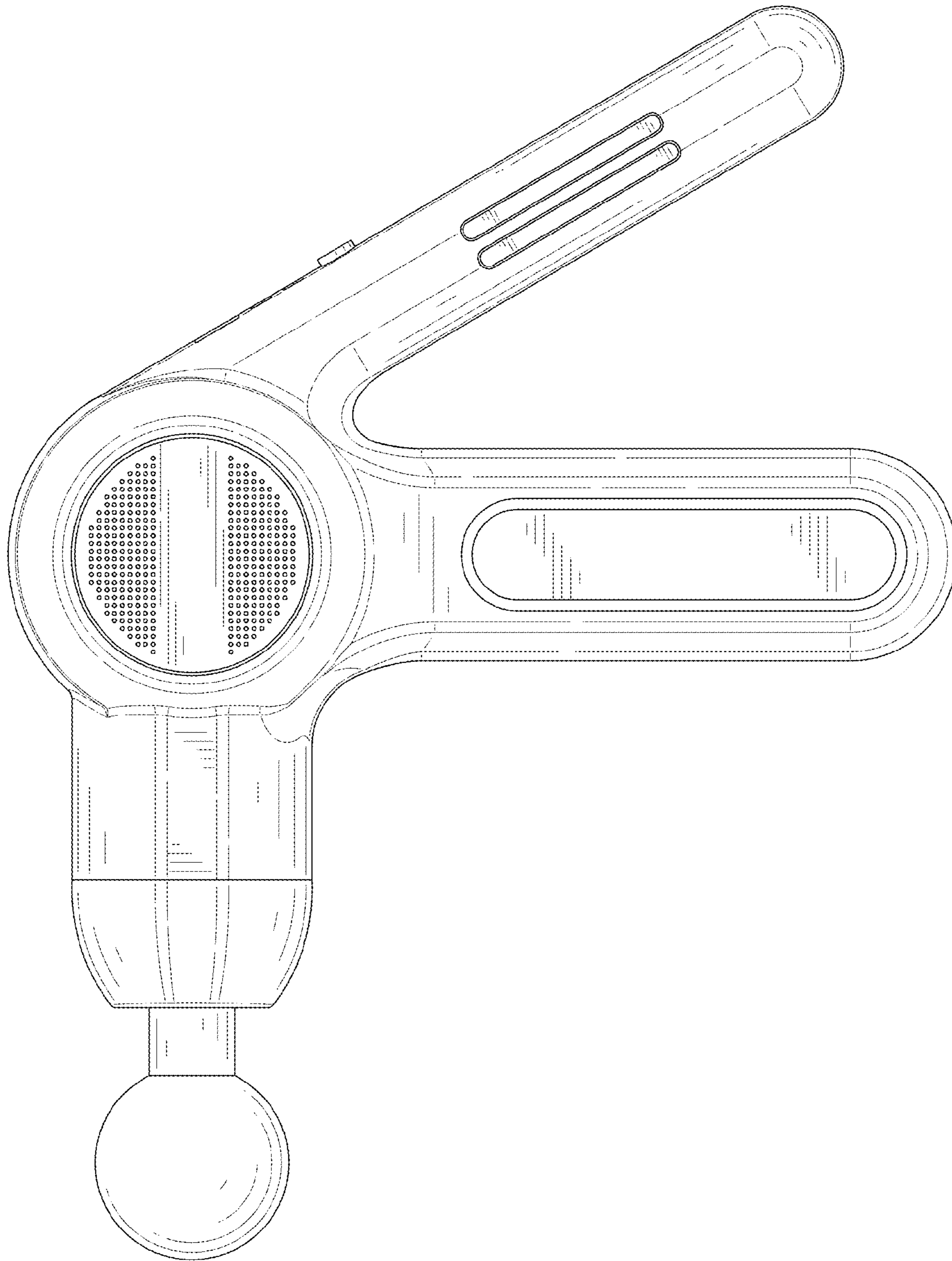


FIG. 3

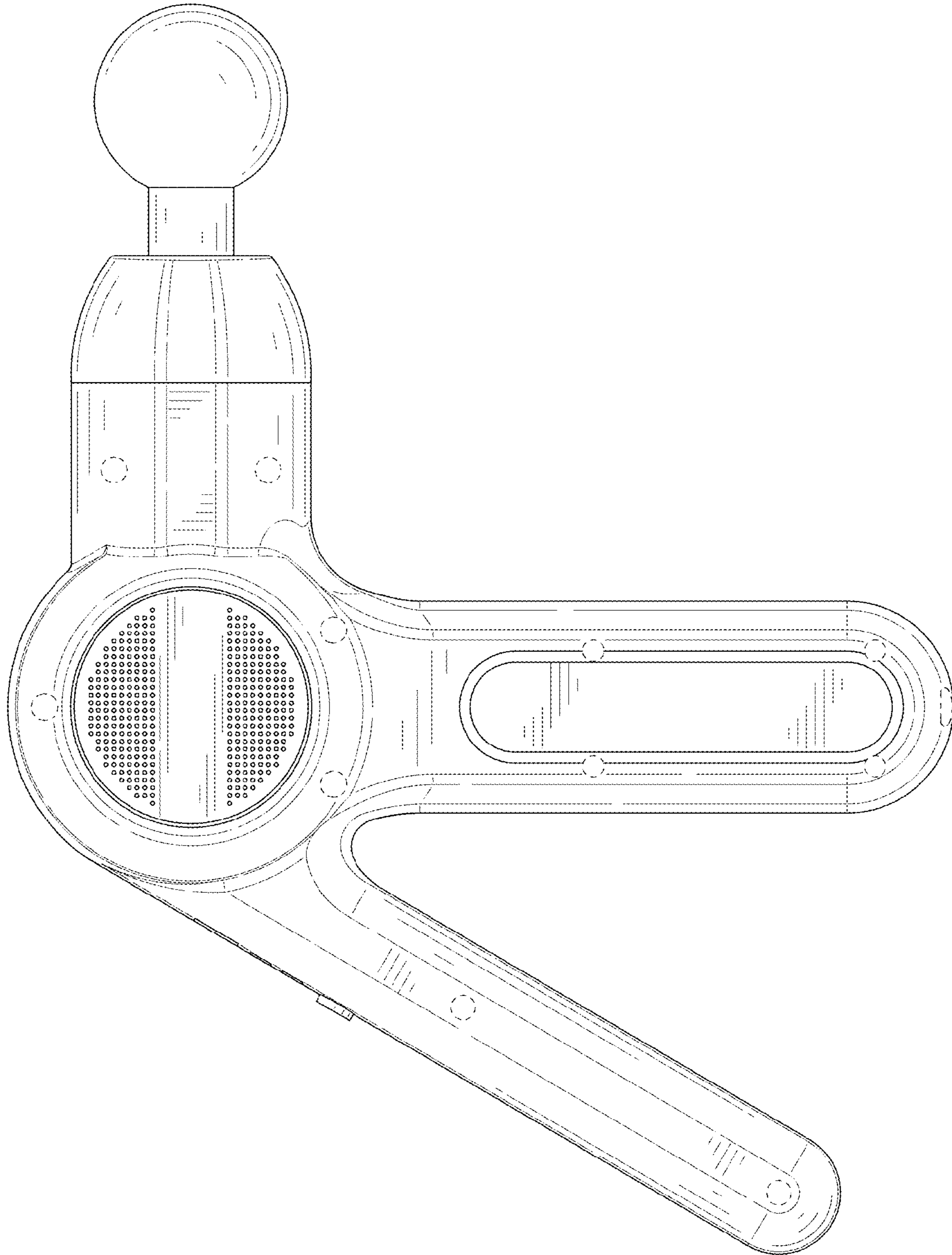


FIG. 4

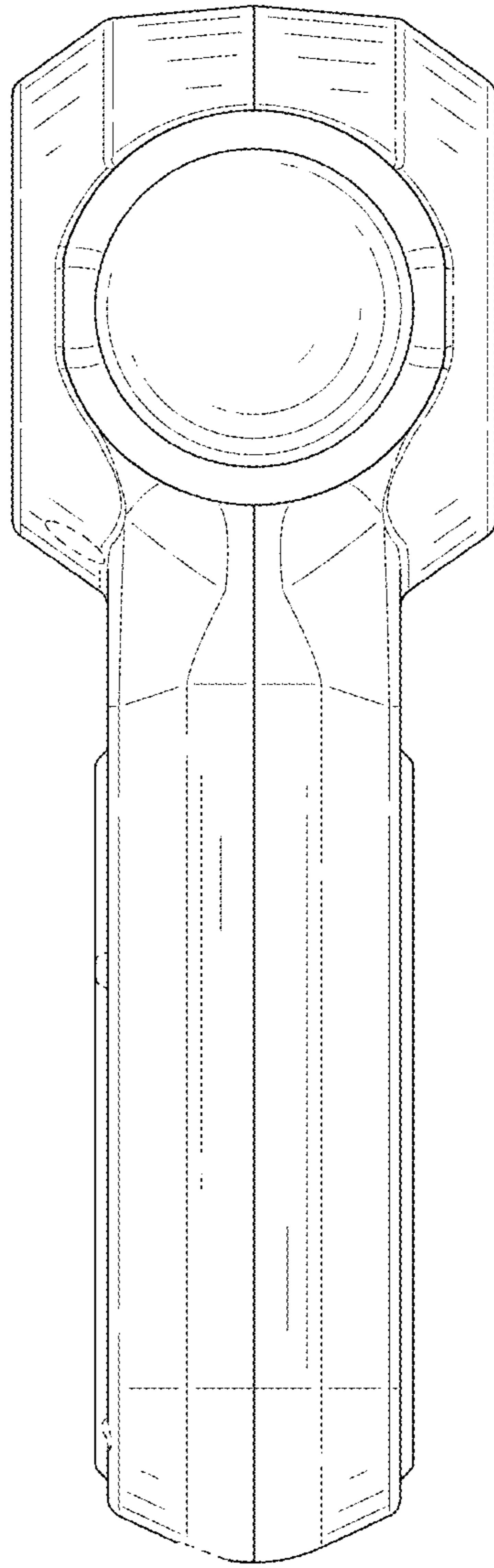


FIG. 5

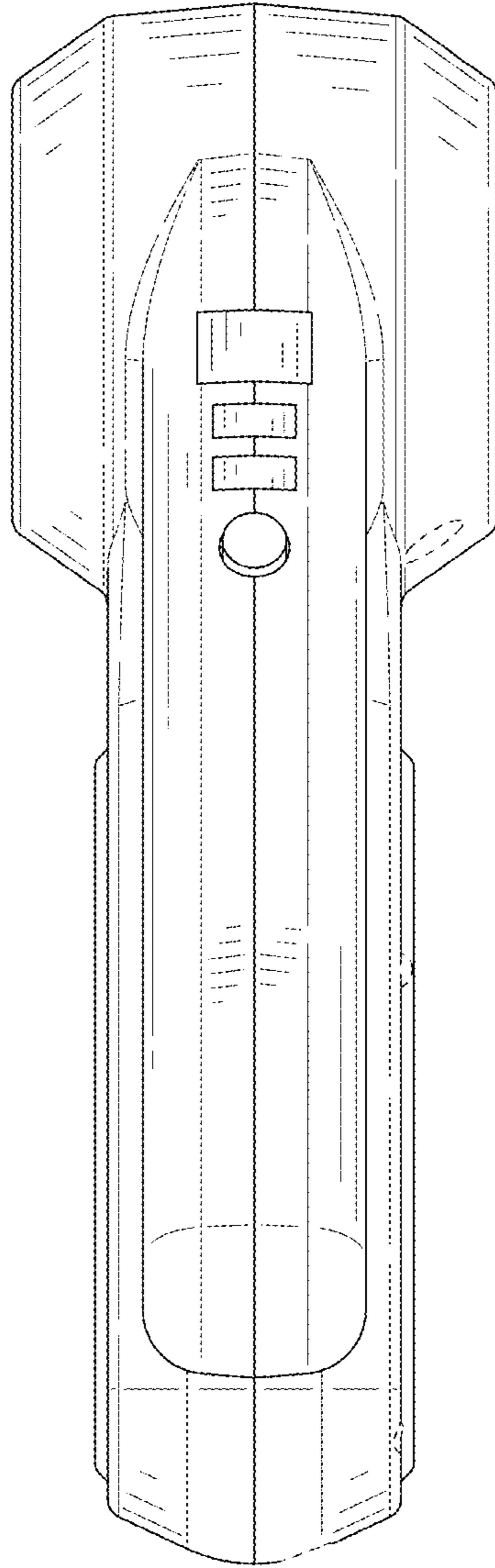


FIG. 6



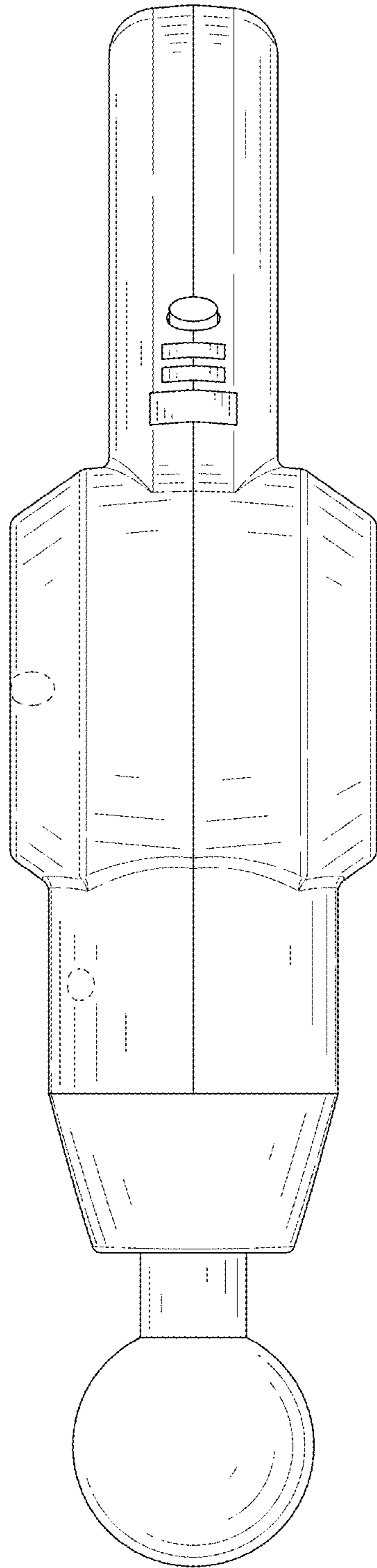


FIG. 7

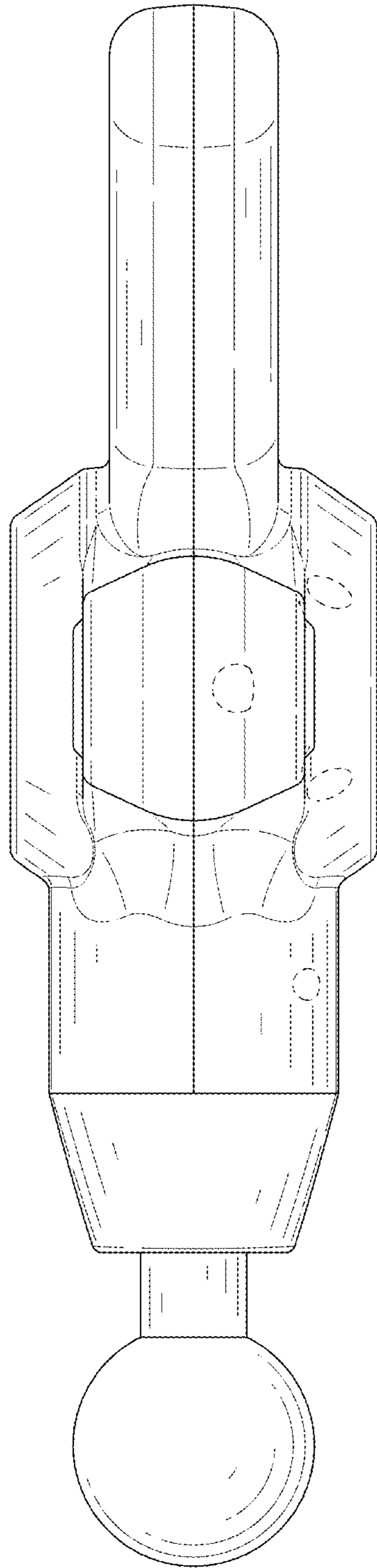


FIG. 8

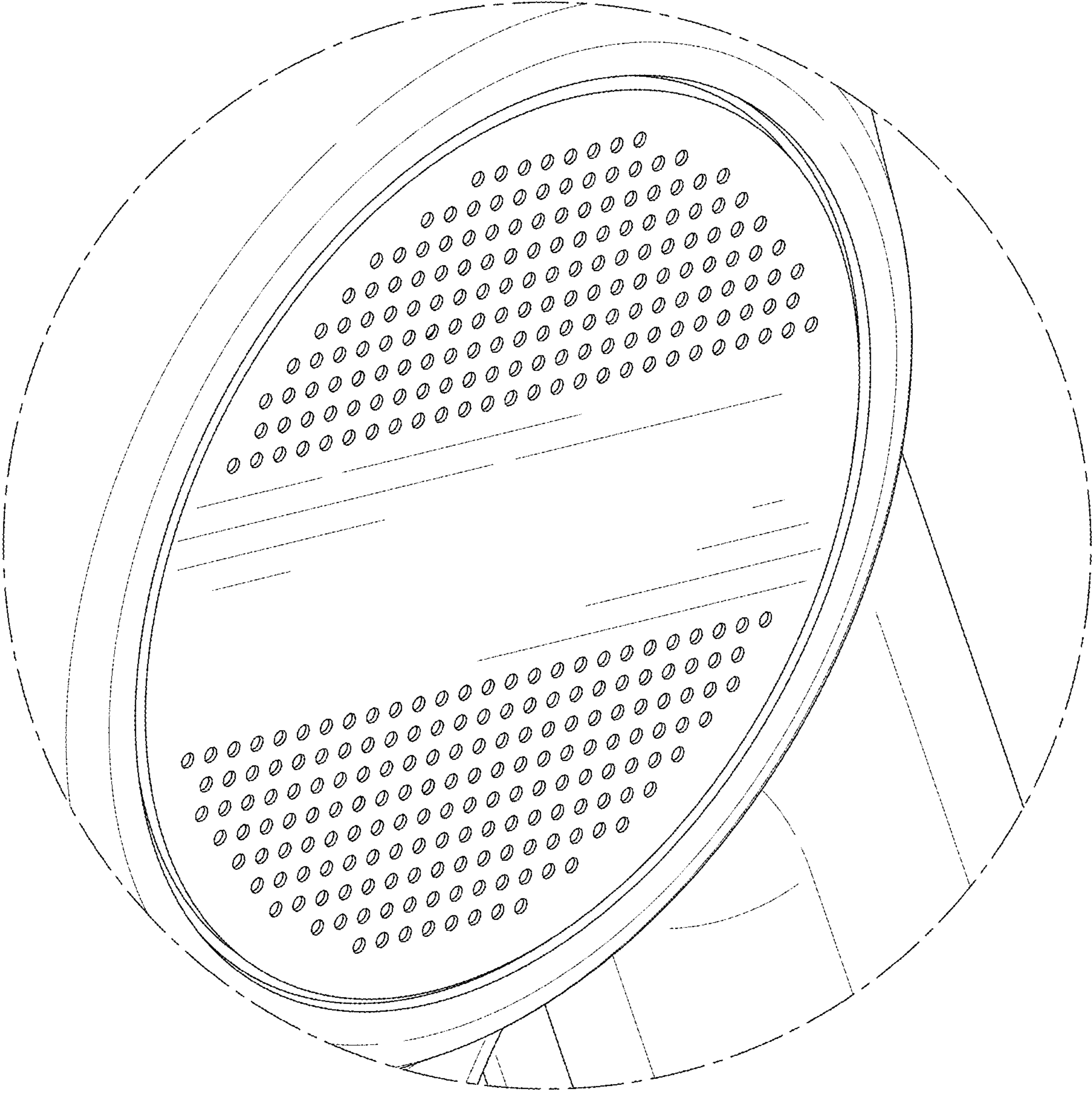


FIG. 9