



US00D925753S

(12) **United States Design Patent** (10) **Patent No.:** **US D925,753 S**
Noda (45) **Date of Patent:** **** Jul. 20, 2021**

(54) **HEAD MASSAGER**
(71) Applicant: **P.G.C.D. JAPAN, Inc.**, Tokyo (JP)
(72) Inventor: **Taihei Noda**, Tokyo (JP)
(73) Assignee: **P.G.C.D. JAPAN, INC.**, Tokyo (JP)
(**) Term: **15 Years**

D520,244 S * 5/2006 Huller D4/124
D633,217 S * 2/2011 Robertson D24/215
D797,461 S * 9/2017 Dandridge D4/127
(Continued)

(21) Appl. No.: **35/507,217**
(22) Filed: **Sep. 5, 2018**
(80) **Hague Agreement Data**
Int. Filing Date: **Sep. 5, 2018**
Int. Reg. No.: **DM/202198**
Int. Reg. Date: **Sep. 5, 2018**
Int. Reg. Pub. Date: **Aug. 9, 2019**

FOREIGN PATENT DOCUMENTS

DE 9309142 U1 * 8/1993 B44C 3/123

(51) **LOC (13) Cl.** **28-03**
(52) **U.S. Cl.**
USPC **D24/214; D28/20**
(58) **Field of Classification Search**
USPC D28/63, 91.2, 9, 99, 20; D24/231, 100,
D24/133, 215, 214, 213, 212, 211;
D4/116, 117, 199, 127, 128
CPC A61H 35/00; A61H 7/00; A61H 7/001;
A61H 7/002; A61H 7/003; A61H 7/004;
A61H 7/005; A61H 7/006; A61H 7/007;
A61H 7/008
See application file for complete search history.

OTHER PUBLICATIONS

Amazon, Murlien Scalp Massaging Shampoo Brush, posted May 20, 2018, [online], [visited Nov. 23, 2020], Internet, <URL: https://www.amazon.co.uk/Massaging-Massager-Flexible-Silicone-Bristles/dp/B07CNKQX86/ref> (Year: 2018).*
(Continued)

Primary Examiner — George D. Kirschbaum
Assistant Examiner — Samantha N Wood
(74) *Attorney, Agent, or Firm* — Greer, Burns & Crain, Ltd.

(56) **References Cited**
U.S. PATENT DOCUMENTS

D51,319 S * 10/1917 Montgomery D4/127
D166,124 S * 3/1952 Pearce D4/120
D245,857 S * 9/1977 Grube D23/223
D260,928 S * 9/1981 Gueret D24/211
D300,853 S * 4/1989 Smal D24/211
D315,038 S * 2/1991 Strickler D24/211
D403,430 S * 12/1998 Chien D24/211
D412,752 S * 8/1999 Forbes D24/211
D480,148 S * 9/2003 Chen D24/211

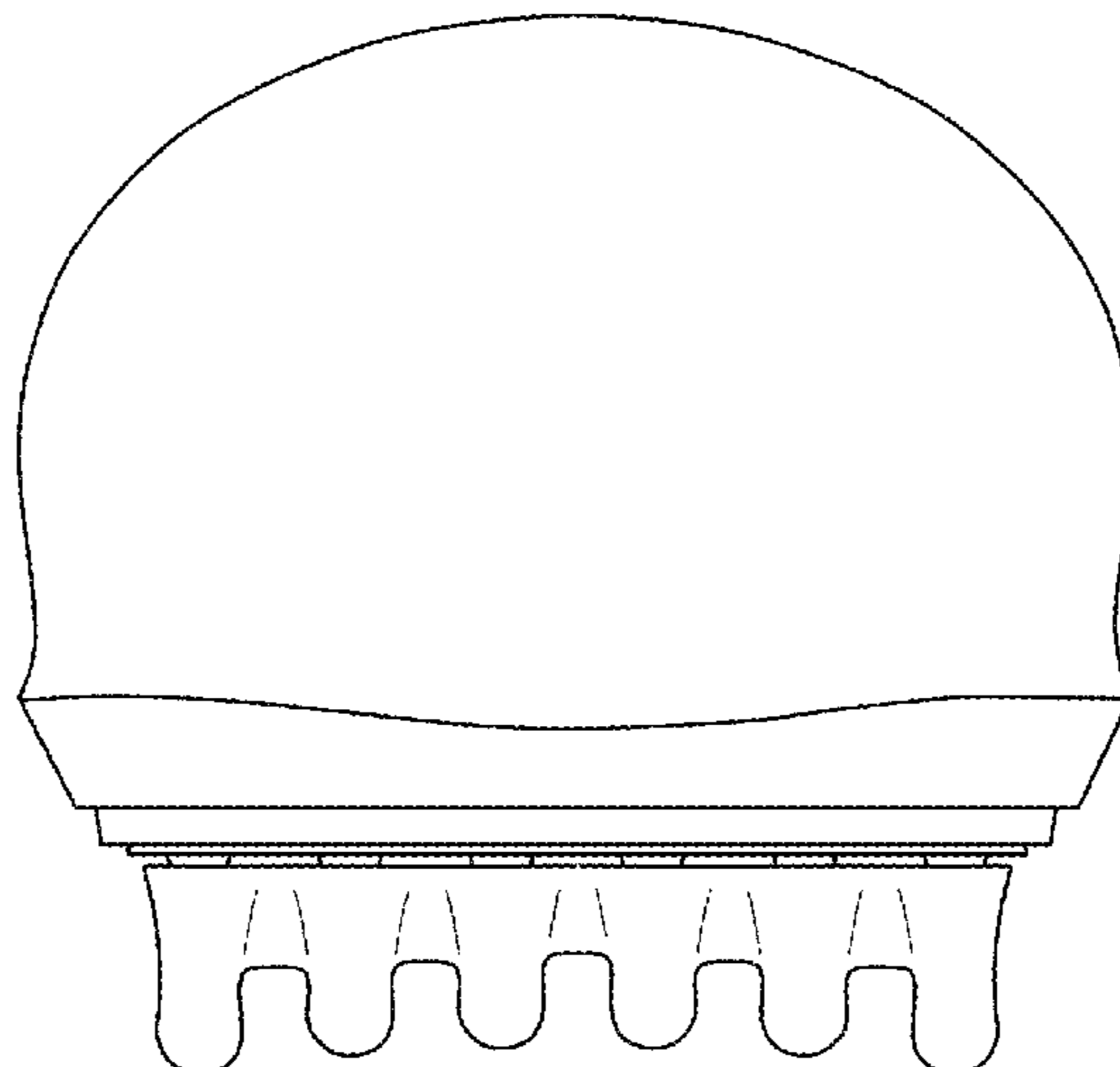
(57) **CLAIM**

The ornamental design for a head massager, as shown and described.

DESCRIPTION

2.1: Front
2.2: Right
2.3: Top
2.4: Bottom
2.5: Front of body
2.6: Right side of body
2.7: Top of body
2.8: Bottom of body
2.9: Front of the inner cap
2.10: Right side of the inner cap
2.11: Top of the inner cap
2.12: Bottom of the inner cap
The broken lines in FIGs. **2.8** and **2.11** represent portions of the head massager that form no part of the claimed design.

1 Claim, 12 Drawing Sheets



(56)

References Cited

U.S. PATENT DOCUMENTS

D802,307 S * 11/2017 Peterson D4/127
D810,447 S * 2/2018 Dandridge D4/127
D837,994 S * 1/2019 Sedic D24/214
D853,576 S * 7/2019 Ma D24/215

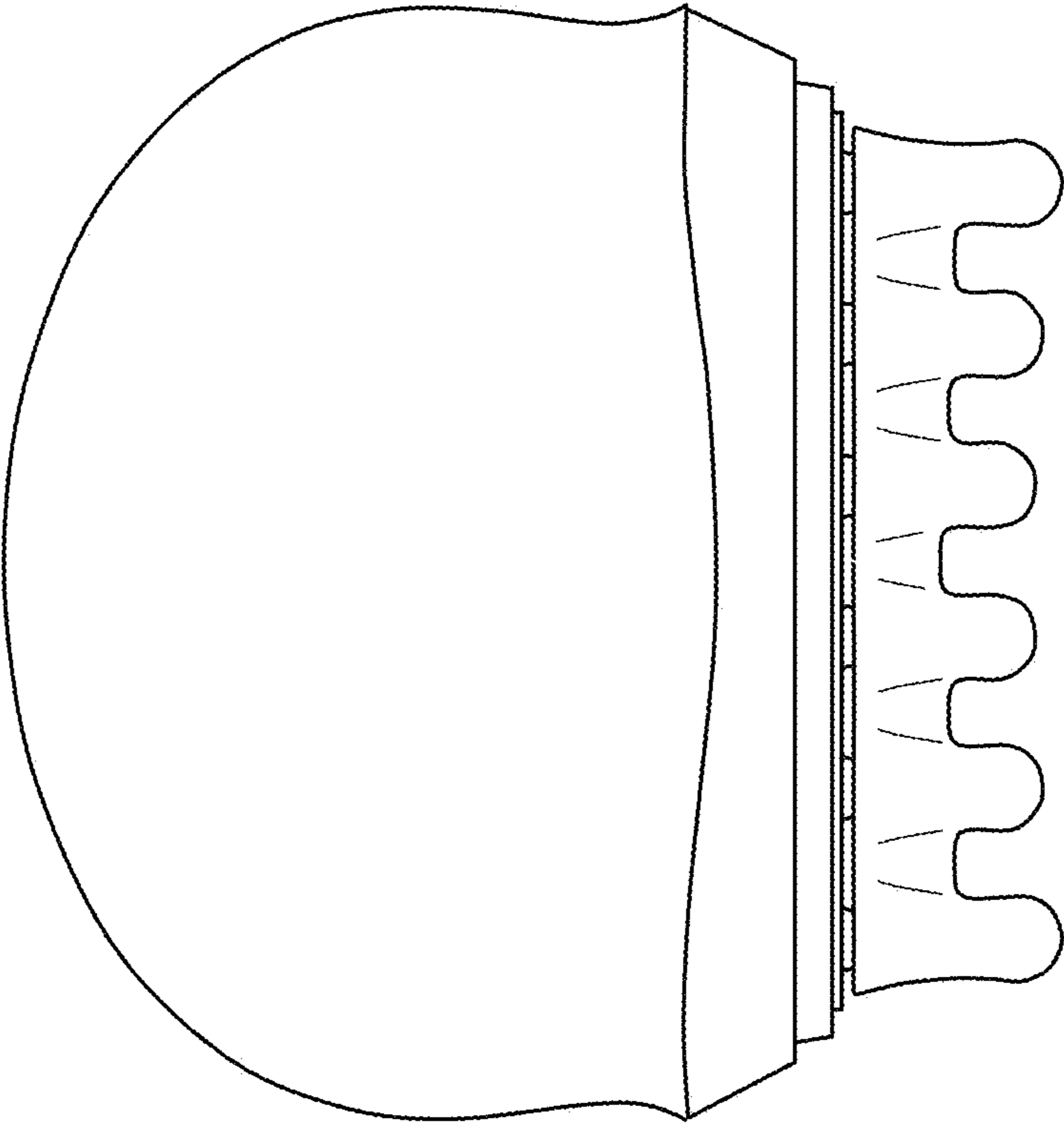
OTHER PUBLICATIONS

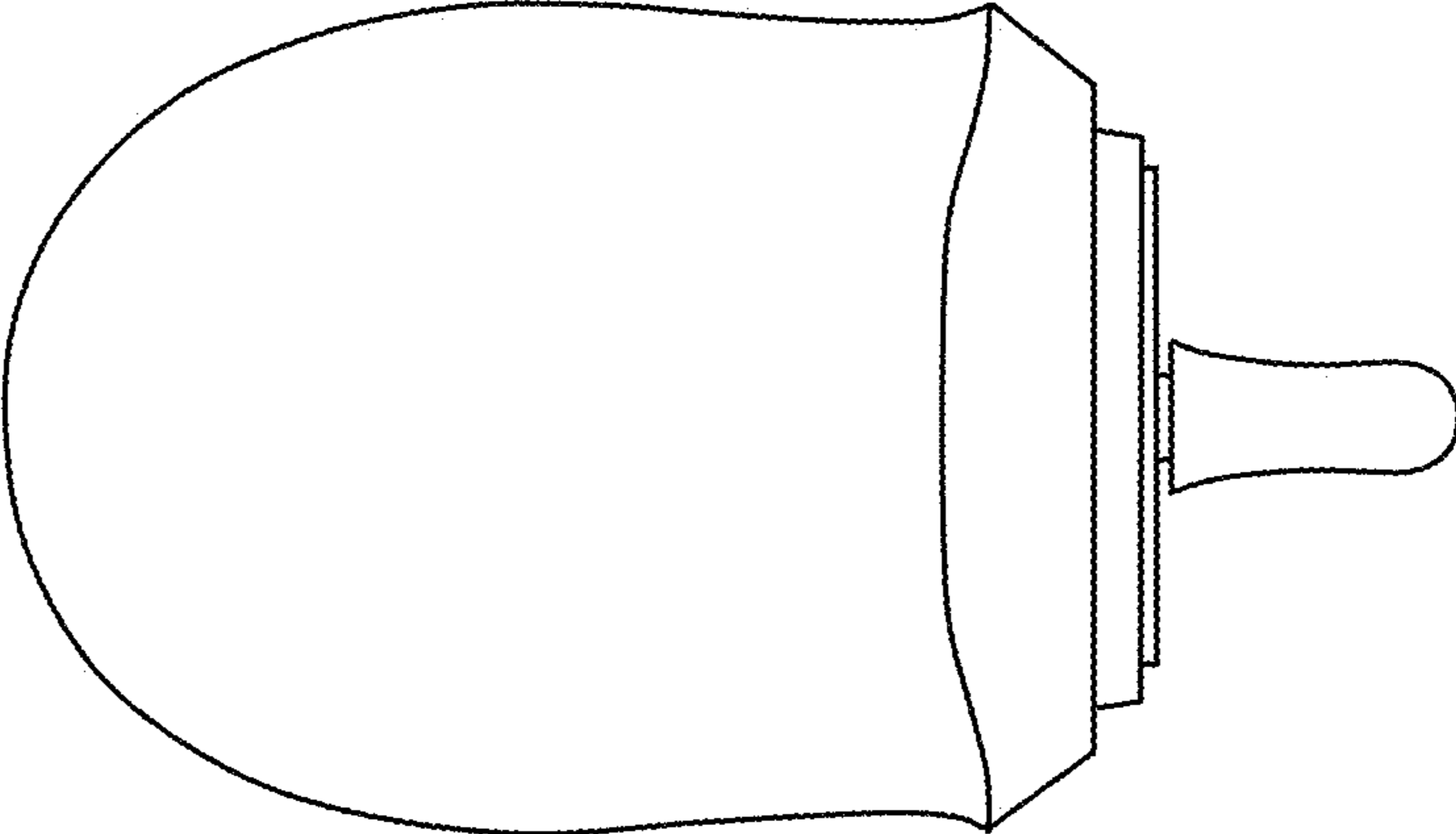
Cosme, P.G.C.D. Quintessence, release date Apr. 1, 2018, [online], [visited Nov. 24, 2020], Internet, <URL: <https://us.cosme.net/products/show/10151371>> (Year: 2018).*

Amazon, MSQ Foundation Brush, posted Sep. 10, 2015, [online], [visited Nov. 24, 2020], Internet, <URL: <https://www.amazon.co.uk/MSQ-Foundation-Synthetic-Bristles-Concealer/dp/B00PLA8ZQK/ref>> (Year: 2015).*

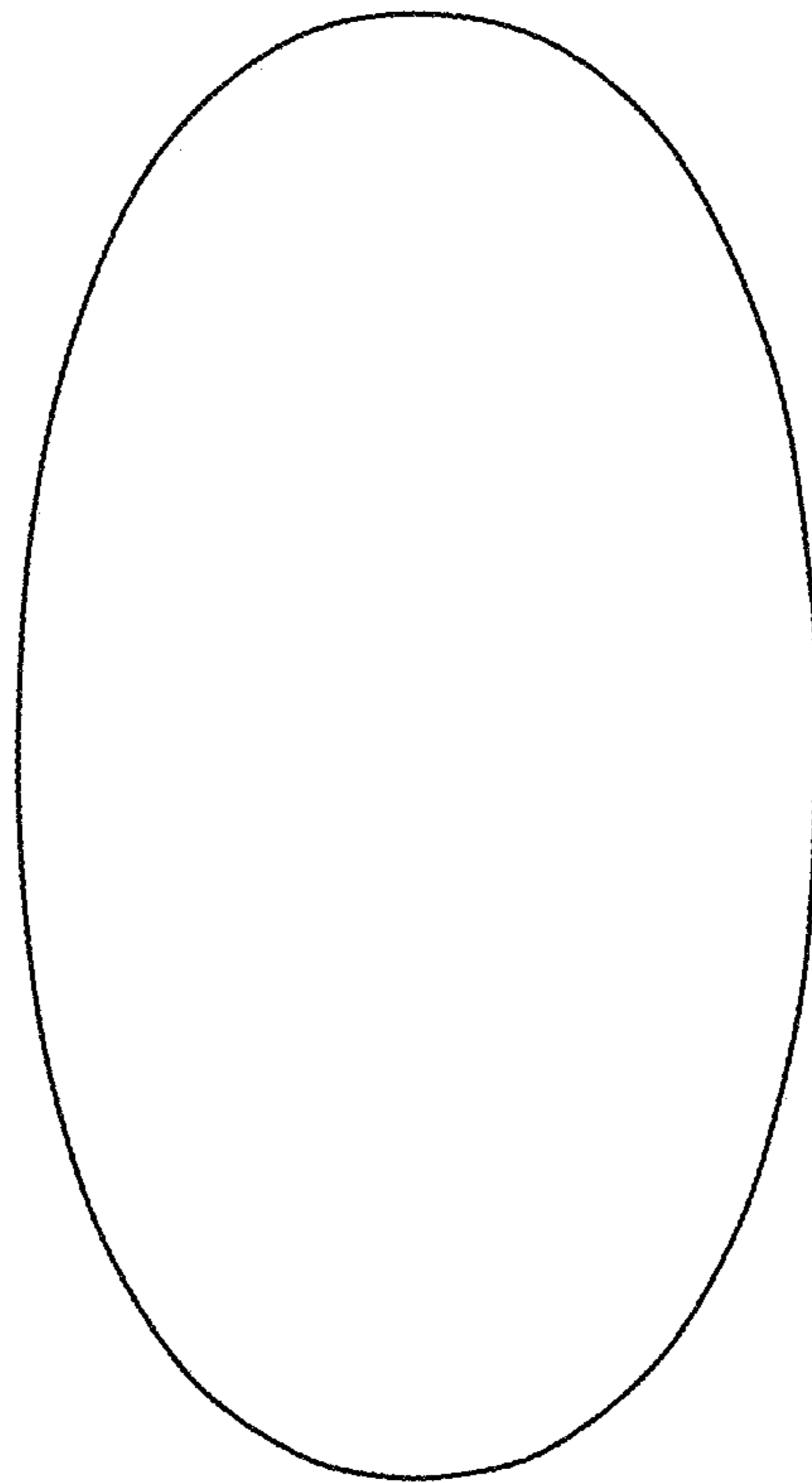
* cited by examiner

2.1

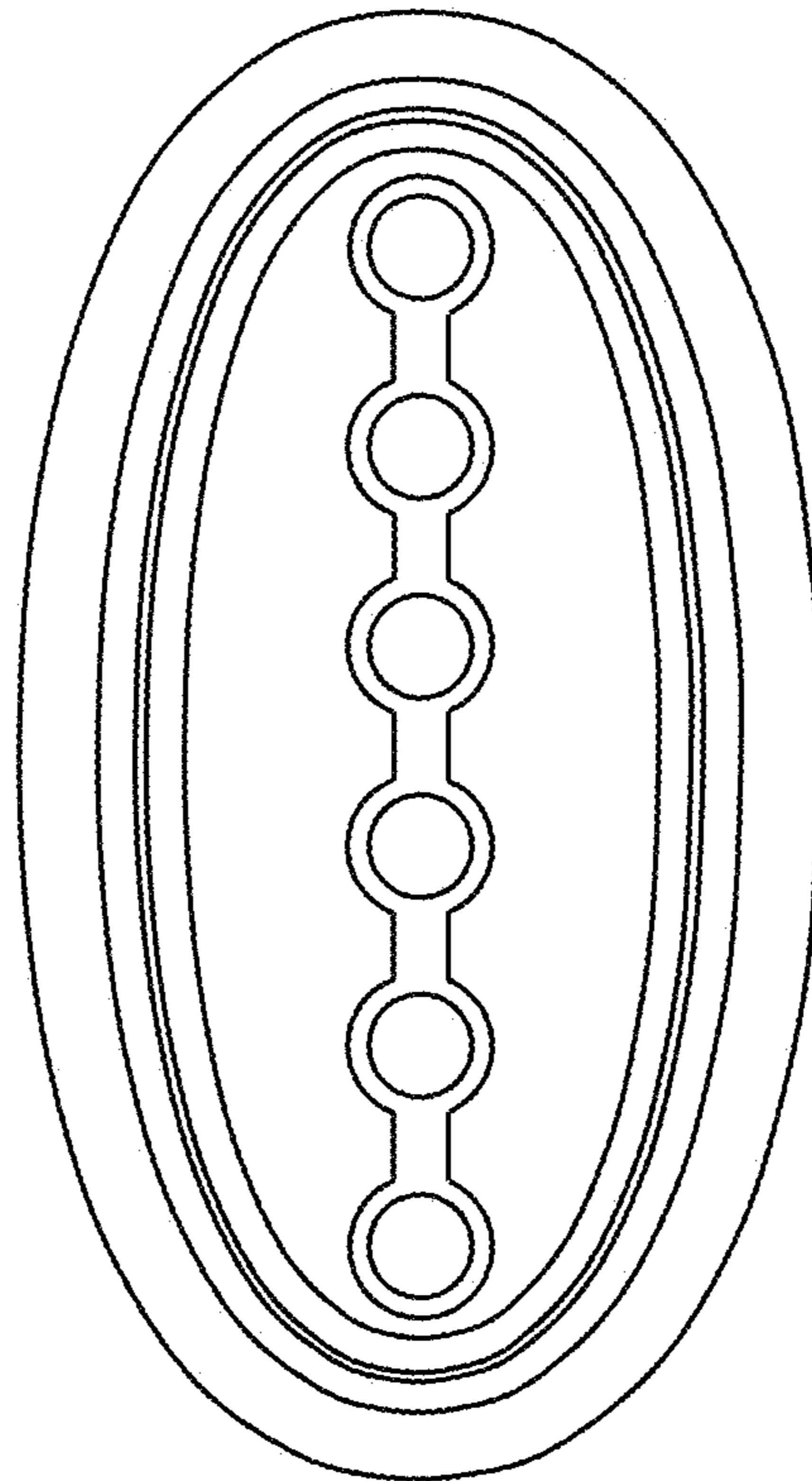




2.2

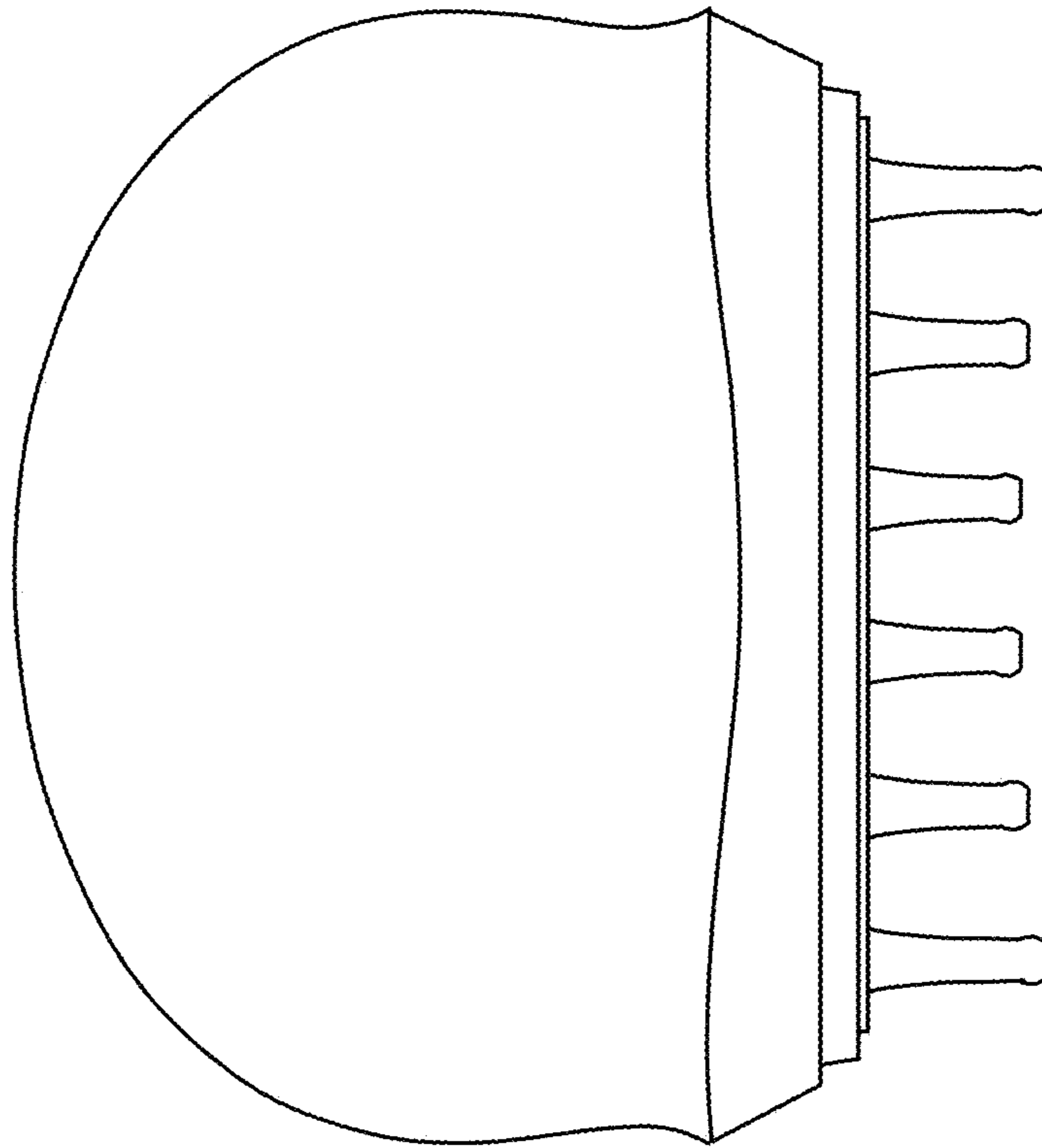


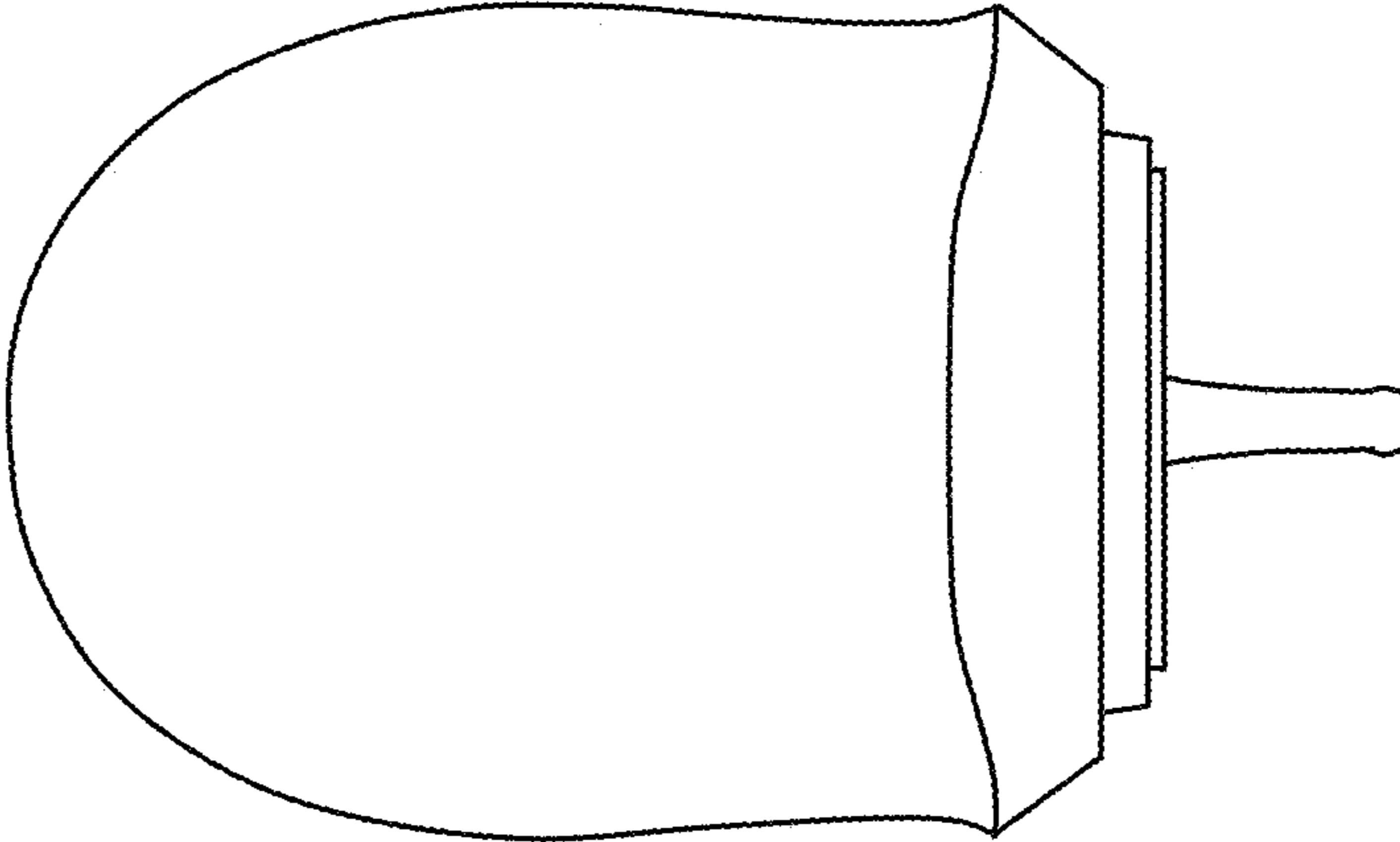
2.3



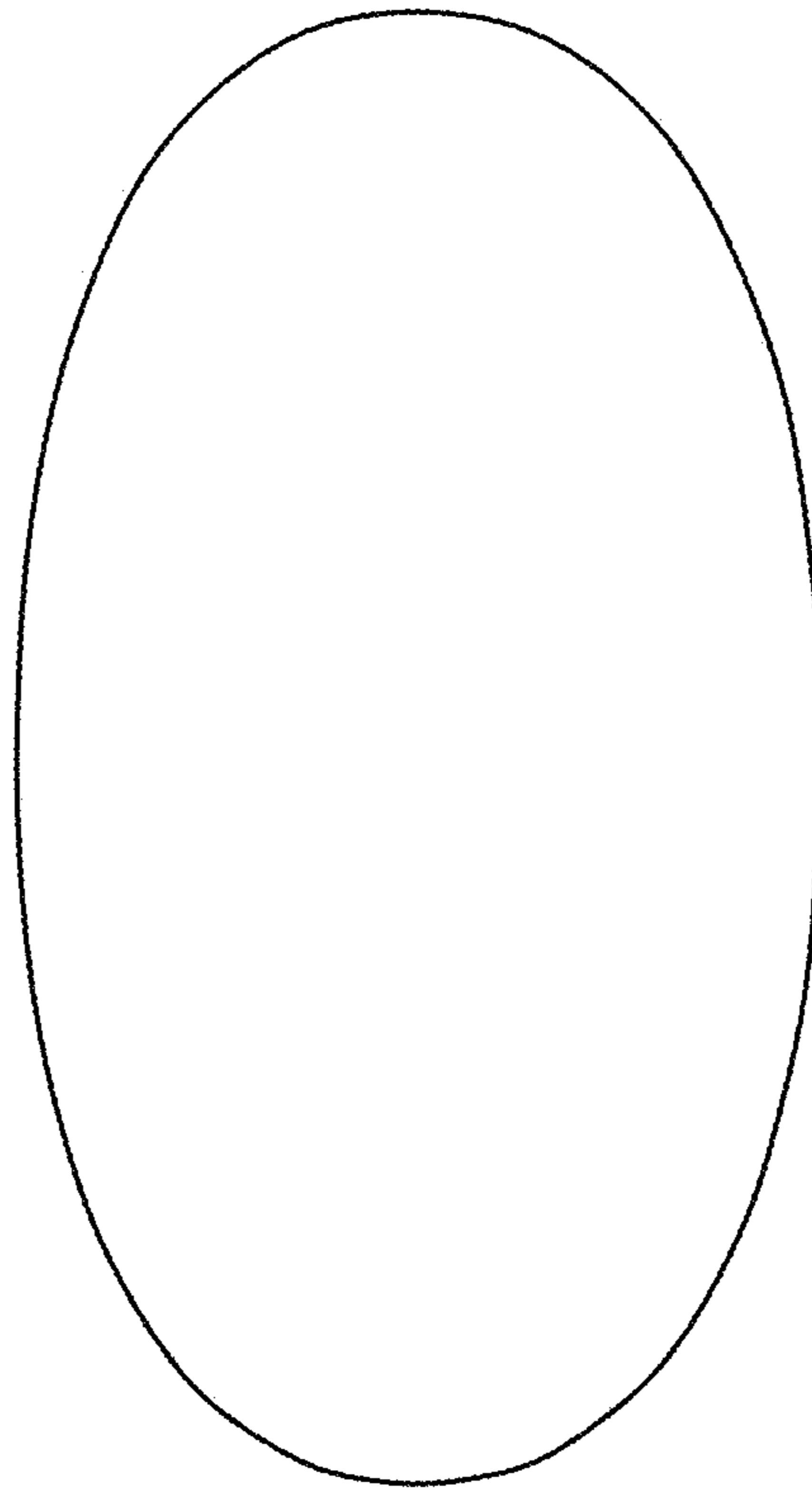
2.4

2.5

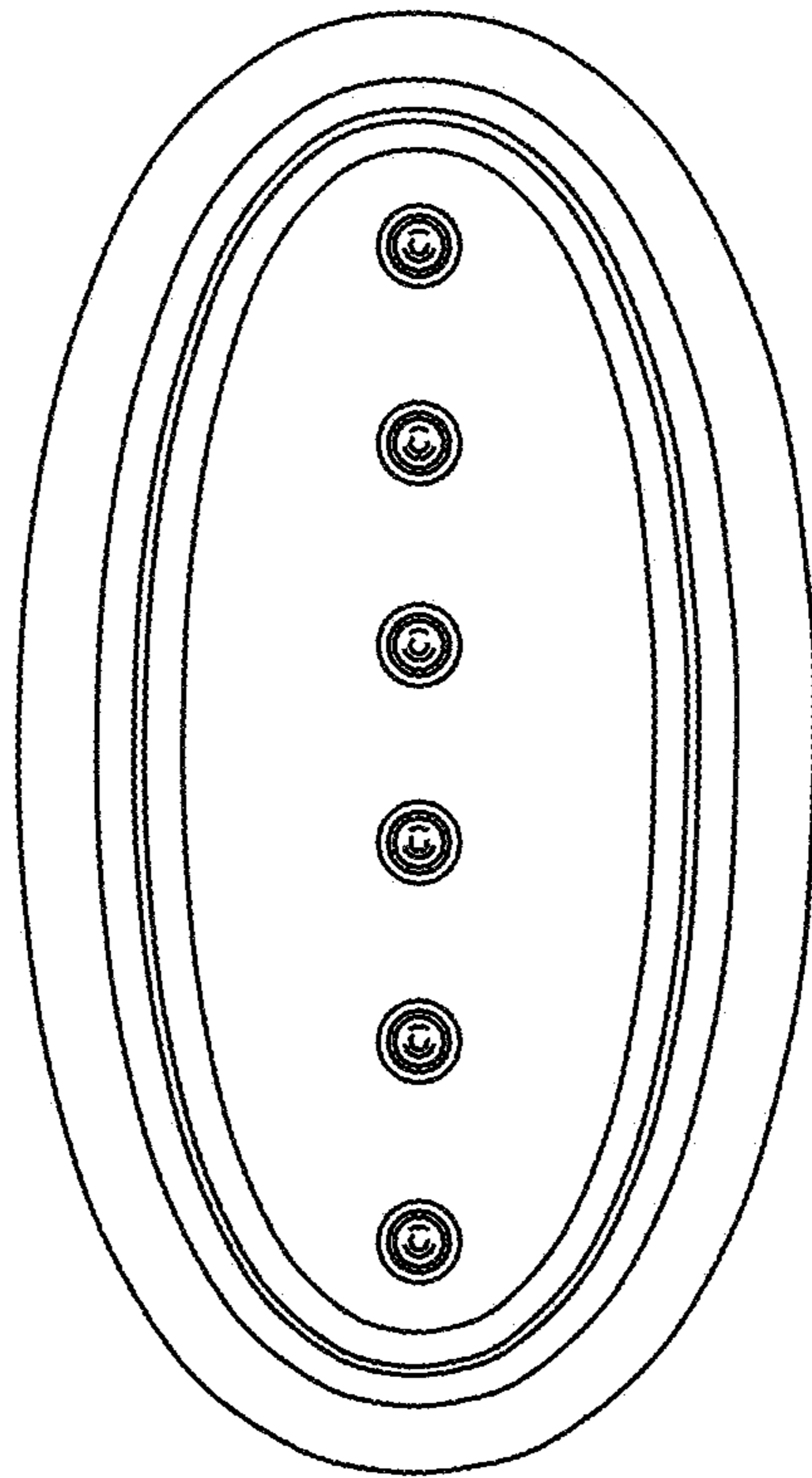




2.6

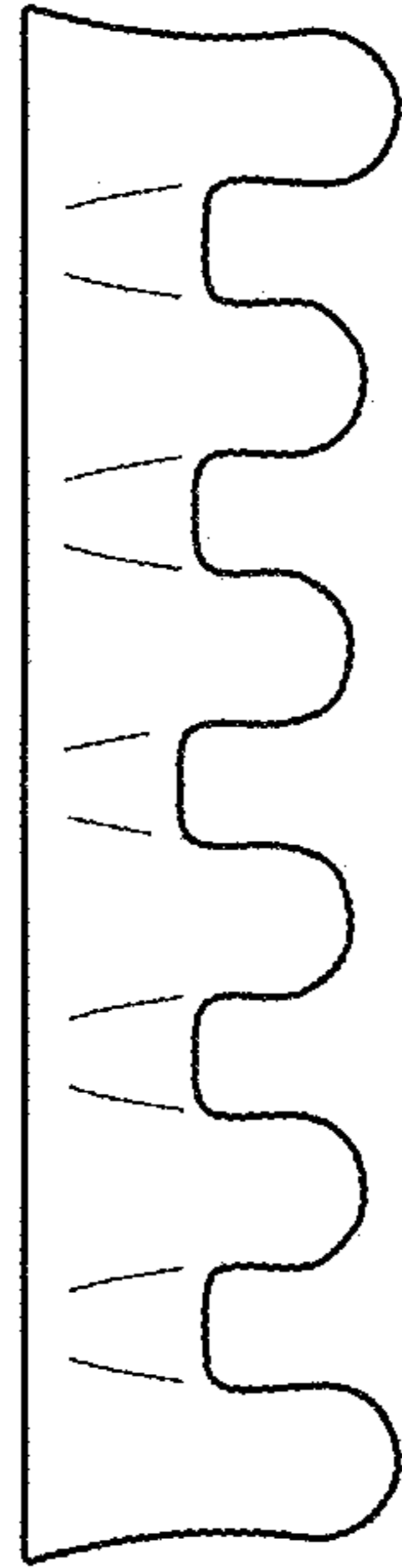


2.7

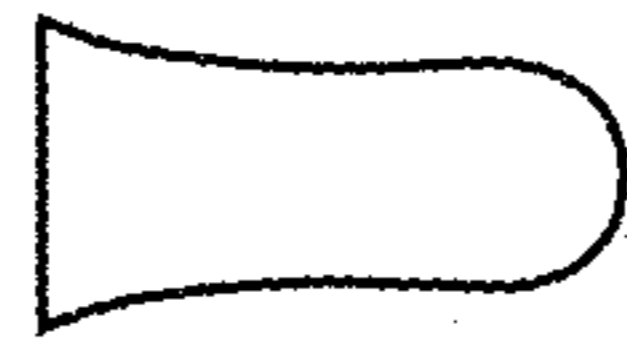


2.8

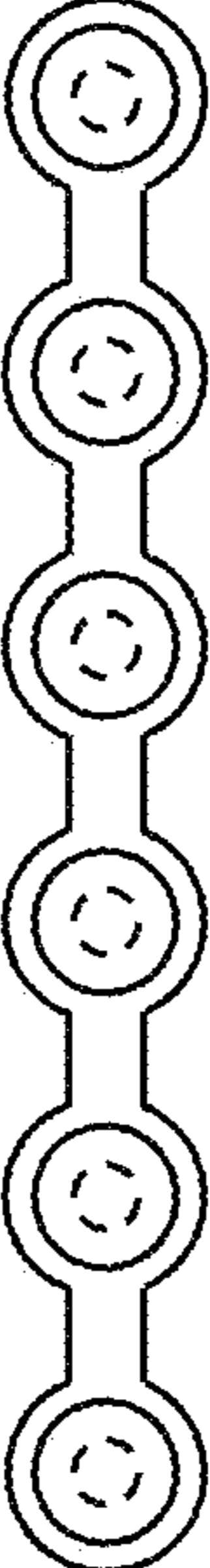
2.9



2.10



2.11



2.12

