



US00D925748S

(12) **United States Design Patent** (10) **Patent No.:** **US D925,748 S**
Clayborne et al. (45) **Date of Patent:** **** Jul. 20, 2021**

- (54) **NASAL ICE PACK**
- (71) Applicant: **Emergency Medical Innovation LLC**, Highland, MD (US)
- (72) Inventors: **Elizabeth P. Clayborne**, Fairfax, VA (US); **Neal K. Sikka**, Vienna, VA (US); **Romil Patel**, Jamestown, RI (US)
- (73) Assignee: **Emergency Medical Innovation LLC**, Highland, MD (US)
- (**) Term: **15 Years**
- (21) Appl. No.: **29/708,497**
- (22) Filed: **Oct. 7, 2019**

1,520,930 A 12/1924 Calhoun
 2,015,617 A 9/1935 Claudius
 2,215,126 A 9/1940 McMillan
 2,681,652 A 6/1954 Laxton
 3,349,771 A 10/1967 Baer
 3,463,149 A 8/1969 Albu
 3,643,660 A 2/1972 Hudson
 3,747,597 A 7/1973 Olivera
 (Continued)

FOREIGN PATENT DOCUMENTS

GB 695963 A 8/1953
 GB 816887 A 7/1959
 (Continued)

OTHER PUBLICATIONS

“The Bleed Freeze Solution,” Bleed Freeze: 2015 GW Business Plan Competition Final Presentation, Youtube, published Jul. 2, 2015, 1 page.

(Continued)

Primary Examiner — Wan Laymon

(74) *Attorney, Agent, or Firm* — Blank Rome LLP

(57) **CLAIM**

The ornamental design for a nasal ice pack, as shown and described.

DESCRIPTION

FIG. 1 is a rear view of a nasal ice pack of our design; FIG. 2 is a front view thereof; FIG. 3 is a bottom view thereof; FIG. 4 is a top view thereof; FIG. 5 is a side view thereof; and, FIG. 6 is a front view of the nasal ice pack of our invention. The broken line showing of human form is included for the purpose of illustrating environmental structure and forms no part of the claimed design.

1 Claim, 2 Drawing Sheets

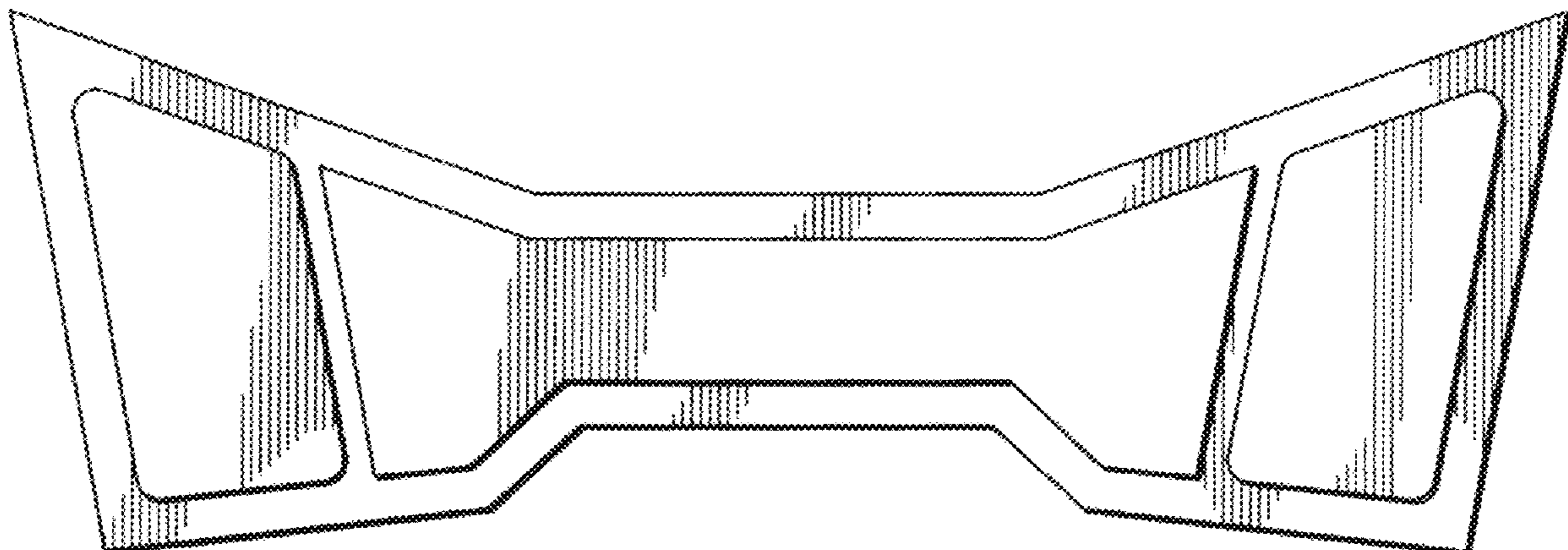
Related U.S. Application Data

- (63) Continuation of application No. 29/619,758, filed on Oct. 2, 2017, now Pat. No. Des. 865,200, which is a continuation of application No. 15/096,819, filed on Apr. 12, 2016, now Pat. No. 10,195,088, said application No. 29/619,758 is a continuation of application No. PCT/US2017/018141, filed on Feb. 16, 2017.
- (51) **LOC (13) Cl.** **24-04**
- (52) **U.S. Cl.**
USPC **D24/207**
- (58) **Field of Classification Search**
USPC D24/206–208, 200, 188–189, 135
CPC A61F 13/126; A61F 2013/00476; A61F 7/10; A61F 7/00; A61F 2007/0001; A61F 2007/0006; A61F 5/08
See application file for complete search history.

(56) **References Cited**

U.S. PATENT DOCUMENTS

598,467 A 2/1898 Carence
 675,275 A 5/1901 Gunning



(56)

References Cited

U.S. PATENT DOCUMENTS

3,802,431 A 4/1974 Farr
 4,231,360 A 11/1980 Zloczysti
 4,457,756 A 7/1984 Kern et al.
 4,774,935 A 10/1988 Aronsohn
 4,859,360 A 8/1989 Suzuki
 D315,705 S 3/1991 Smith
 D327,329 S 6/1992 Hubbard
 5,383,891 A 1/1995 Walker
 5,584,822 A 12/1996 Lively et al.
 5,611,333 A * 3/1997 Johnson A61F 5/08
 128/200.24
 D385,355 S * 10/1997 Fabricant D24/189
 5,752,511 A 5/1998 Simmons
 5,887,437 A 3/1999 Maxim
 5,890,486 A * 4/1999 Mitra A61F 5/08
 128/200.24
 5,899,918 A 5/1999 Knott et al.
 D442,285 S * 5/2001 Perry D24/206
 6,666,211 B1 12/2003 Awoniyi
 D494,671 S 8/2004 Chiang
 7,294,138 B2 11/2007 Shippert
 D576,726 S 9/2008 Maxwell
 7,506,649 B2 3/2009 Doshi
 D648,489 S 11/2011 Stockard
 8,161,971 B2 4/2012 Jaffe
 8,240,309 B2 8/2012 Doshi
 8,303,619 B2 11/2012 DeCrescenzo et al.
 8,403,954 B2 3/2013 Santin
 D703,826 S * 4/2014 Nihsioaka D24/206
 8,974,486 B2 3/2015 Kotler
 D741,998 S * 10/2015 Martin D24/135
 D759,239 S 6/2016 Hartley
 9,730,830 B2 8/2017 Foley
 10,058,732 B2 8/2018 Ghosh

10,195,088 B2 * 2/2019 Clayborne A61F 7/10
 D857,212 S * 8/2019 Sugaya D24/189
 D865,200 S * 10/2019 Clayborne A61F 7/10
 D24/207
 2002/0124844 A1 9/2002 Chiang
 2004/0010283 A1 1/2004 Buzard
 2005/0187502 A1 8/2005 Krempel
 2005/0288620 A1 12/2005 Shippert
 2006/0206120 A1 9/2006 Clawson
 2006/0287699 A1 12/2006 Riedle
 2009/0007919 A1 1/2009 Dolezal
 2009/0149772 A1 6/2009 MacDonald et al.
 2009/0299405 A1 12/2009 DeCrescenzo et al.
 2010/0252040 A1 10/2010 Kapust
 2013/0092173 A1 4/2013 Alexander
 2013/0245584 A1 9/2013 Krasikoff
 2016/0030523 A1 2/2016 Husain
 2016/0220251 A1 8/2016 Gozar
 2016/0235953 A1 8/2016 Hsu
 2016/0296378 A1 10/2016 Phillips et al.
 2016/0324679 A1 11/2016 Khan
 2016/0367276 A1 12/2016 Moloney
 2019/0167486 A1 * 6/2019 Clayborne A61F 7/10

FOREIGN PATENT DOCUMENTS

GB 2363575 A 1/2002
 WO WO-2014080222 A1 5/2014

OTHER PUBLICATIONS

“NoseAid, first aid for nosebleeds,” Clever Products LLC, 2005, 5 pages.
 International Search Report and Written Opinion issued in PCT/US17/18141 dated May 10, 2017.

* cited by examiner

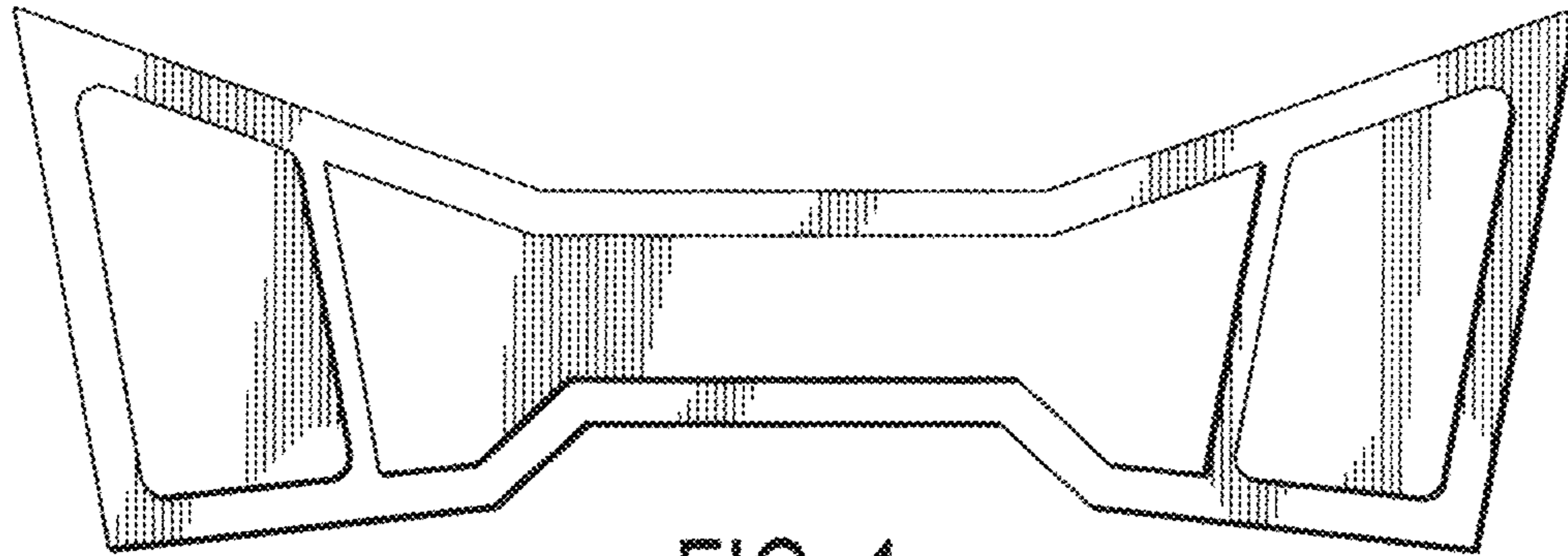


FIG. 1

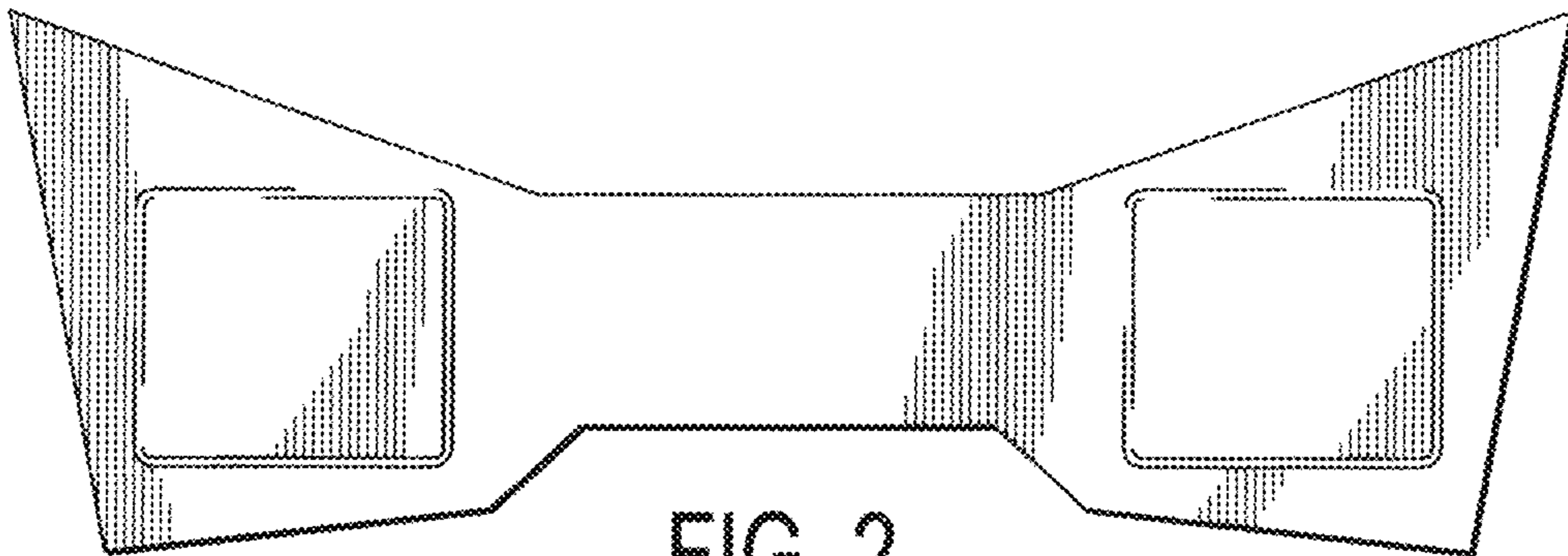


FIG. 2



FIG. 3



FIG. 4



FIG. 5

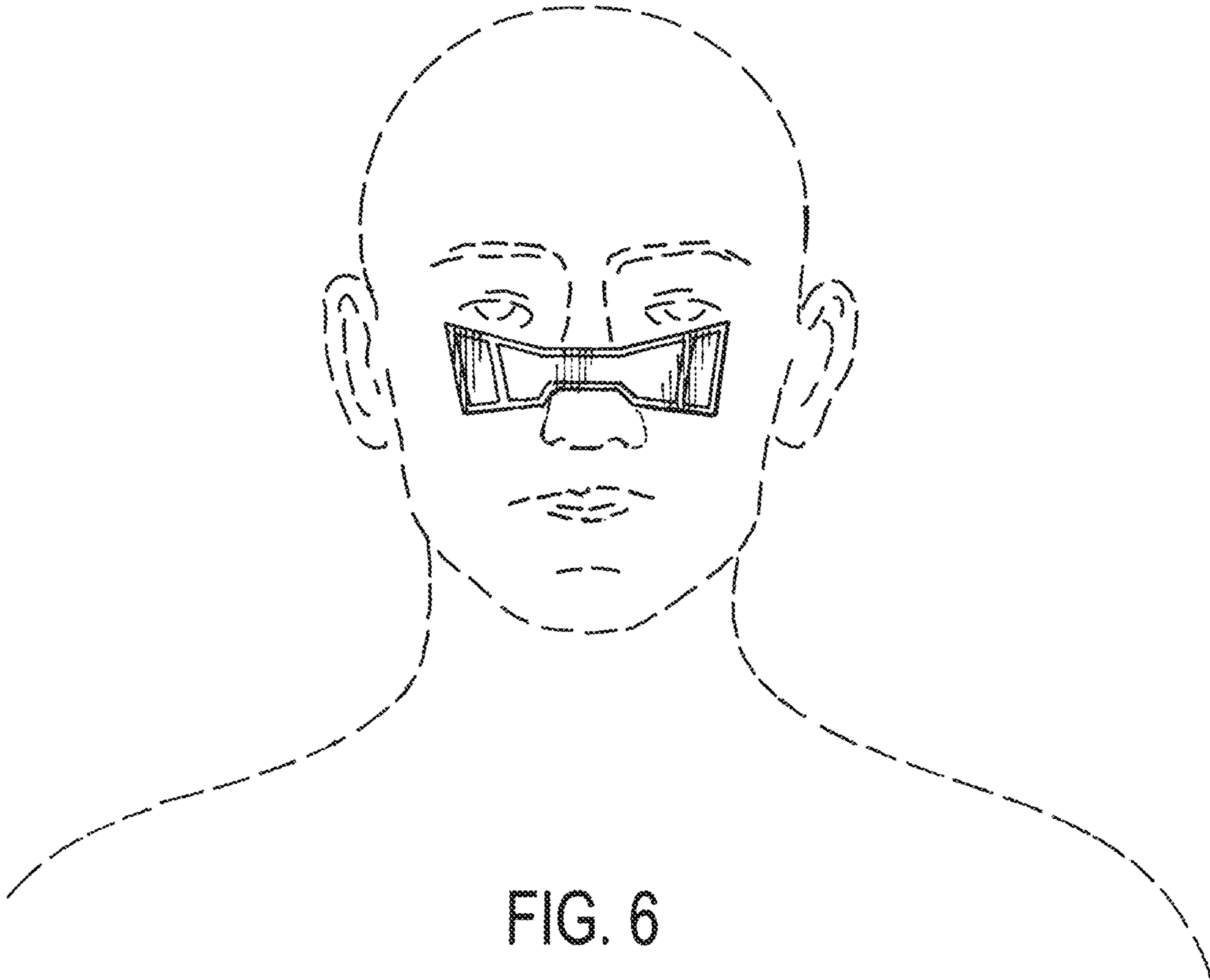


FIG. 6