



US00D925745S

(12) **United States Design Patent**
Chen

(10) **Patent No.:** **US D925,745 S**

(45) **Date of Patent:** **** Jul. 20, 2021**

(54) **COVER ADAPTED FOR WAX WARMER**

(71) Applicant: **Li Huang Chen**, Tainan (TW)

(72) Inventor: **Li Huang Chen**, Tainan (TW)

(**) Term: **15 Years**

(21) Appl. No.: **29/743,652**

(22) Filed: **Jul. 23, 2020**

(51) **LOC (13) Cl.** **28-03**

(52) **U.S. Cl.**
USPC **D24/200**

(58) **Field of Classification Search**
USPC D24/200, 121; D7/323, 354, 391, 538,
D7/629; D9/435, 503, 780
CPC .. A61F 7/00; A61F 7/0085; A61F 2007/0219;
A47J 36/06; A61L 9/03; F27B 14/12
See application file for complete search history.

(56) **References Cited**

U.S. PATENT DOCUMENTS

D441,455 S	*	5/2001	Feer	D24/200
D442,284 S	*	5/2001	Ferber	D24/200
D479,951 S	*	9/2003	Segura	D7/629
D512,582 S		12/2005	Scholze et al.		
D630,475 S	*	1/2011	Lu	D7/629
D661,160 S	*	6/2012	Shah	D7/538
D712,698 S		9/2014	Stratmeyer		
D719,828 S		12/2014	Henriksson		
D758,122 S	*	6/2016	Simpson	B65D 51/1622 D7/391

D772,002 S		11/2016	Affatato et al.		
D838,859 S		1/2019	Yu		
D895,821 S	*	9/2020	Lin	D24/200
D909,592 S	*	2/2021	Li	D24/200
D917,710 S	*	4/2021	Li	D24/200

* cited by examiner

Primary Examiner — Wan Laymon

(74) *Attorney, Agent, or Firm* — Rumit Ranjit Kanakia

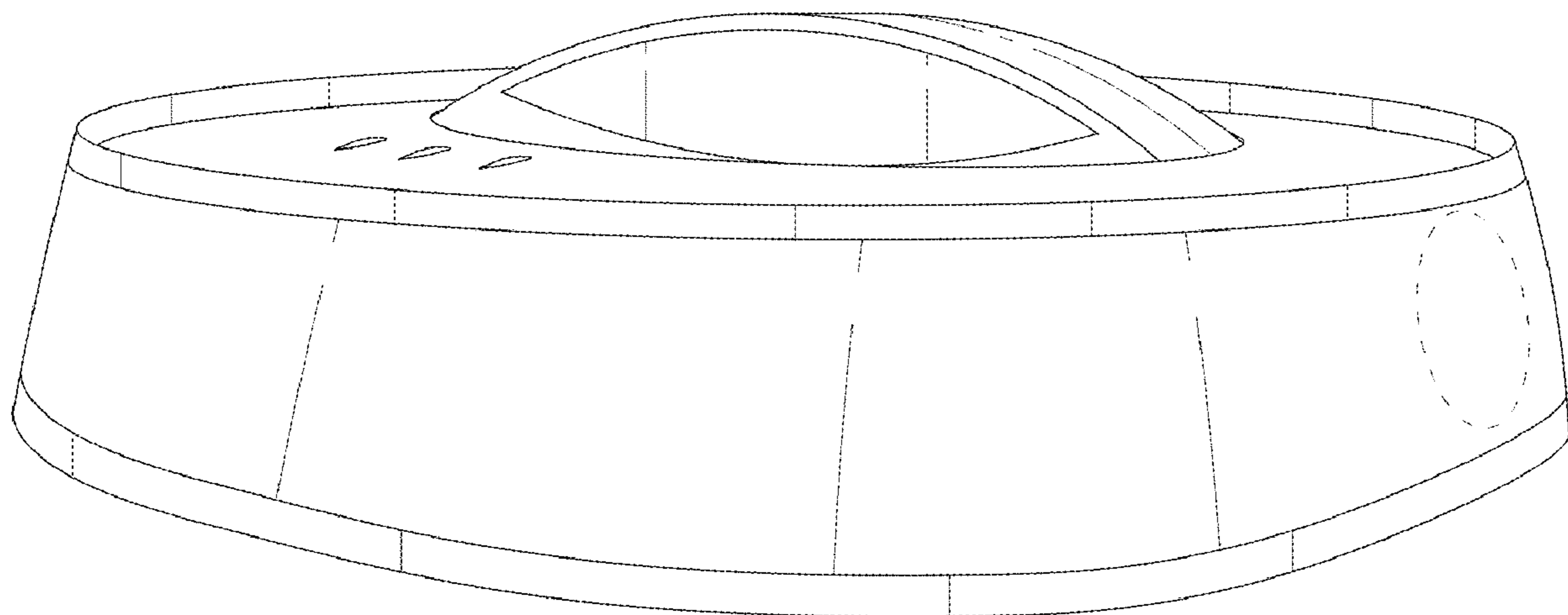
(57) **CLAIM**

I claim the ornamental design for a cover adapted for wax warmer, as shown and described.

DESCRIPTION

FIG. 1 is a perspective view of a cover adapted for wax warmer showing my new design;
FIG. 2 is a front view thereof;
FIG. 3 is a back view thereof;
FIG. 4 is a right-side view thereof;
FIG. 5 is a left-side view thereof;
FIG. 6 is a top view thereof;
FIG. 7 is a bottom view thereof; and,
FIG. 8 is other perspective view of a cover adapted for wax warmer showing in closed position.
The broken lines are for the purpose of illustrating portions of the article that form no part of the claim.

1 Claim, 6 Drawing Sheets



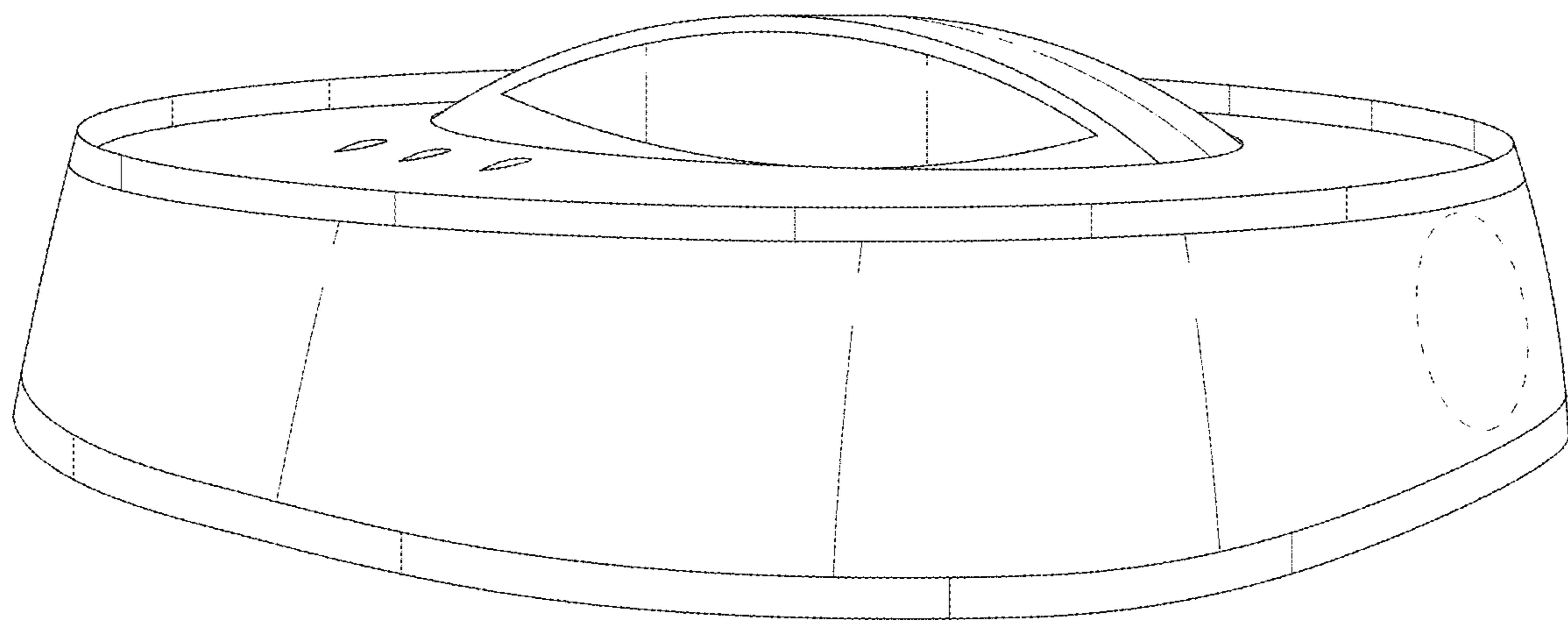


FIG. 1

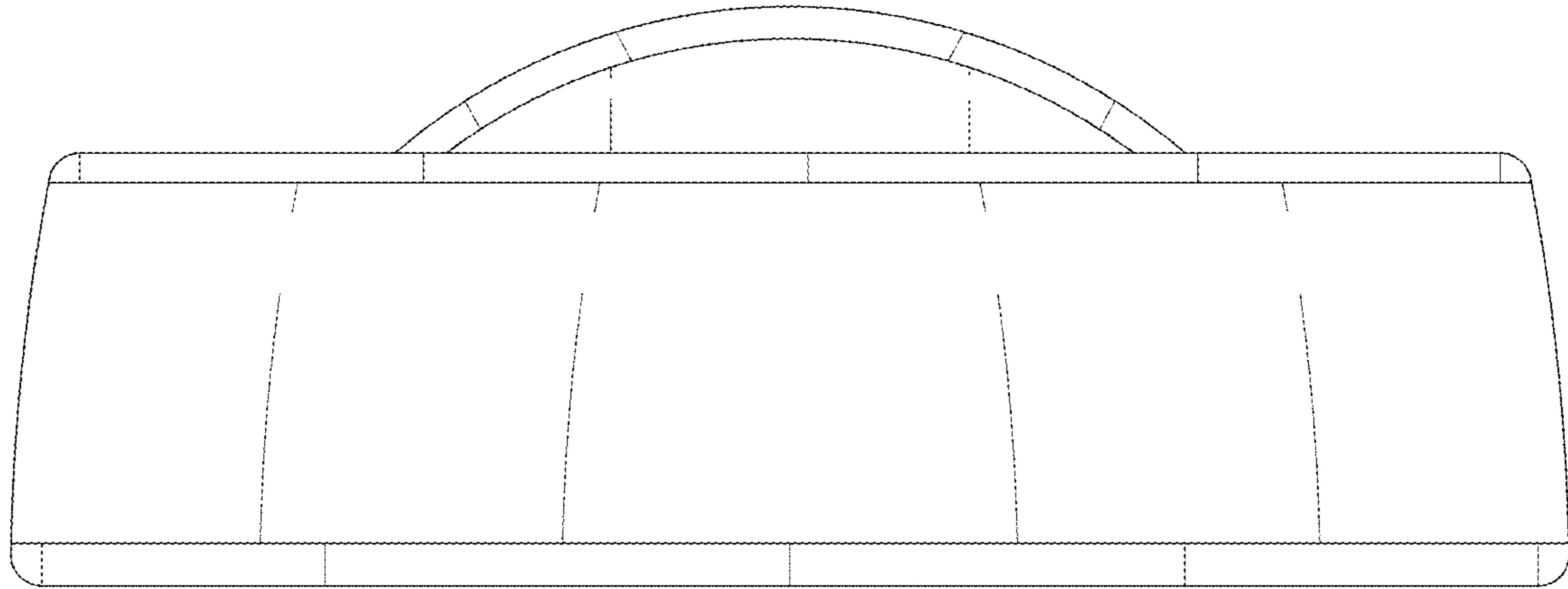


FIG. 2

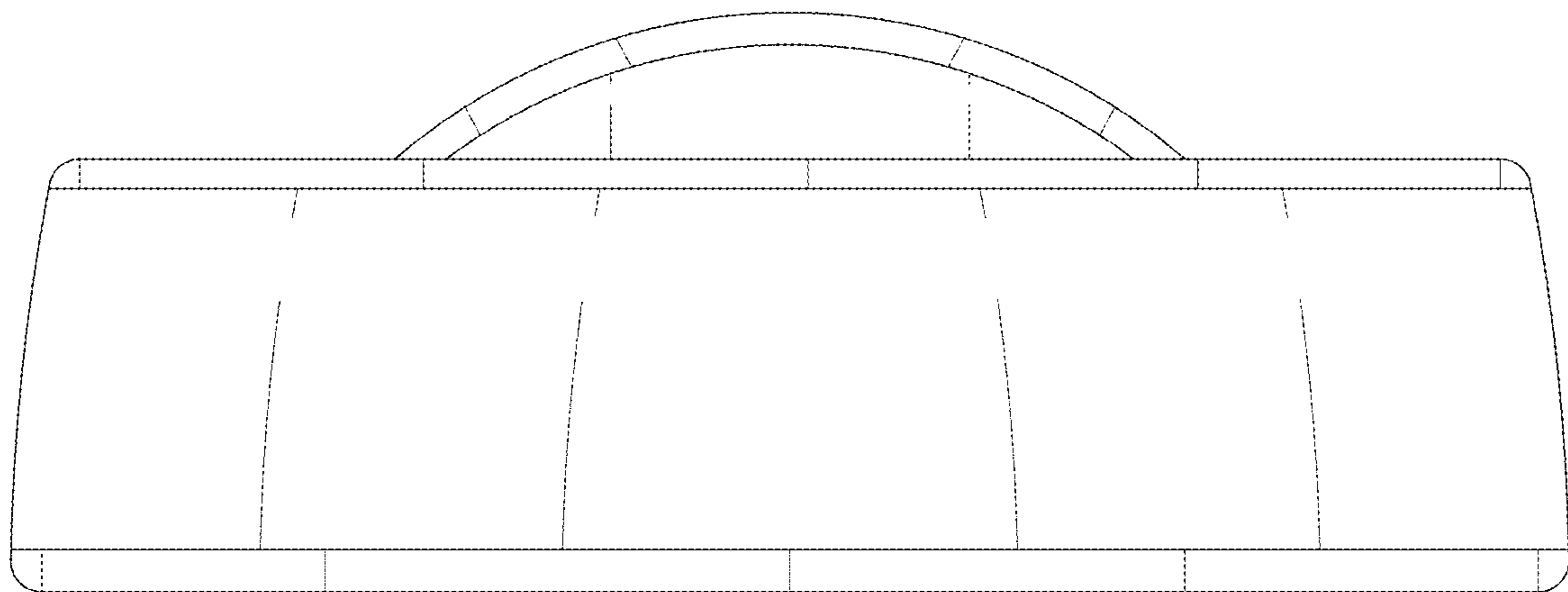


FIG. 3

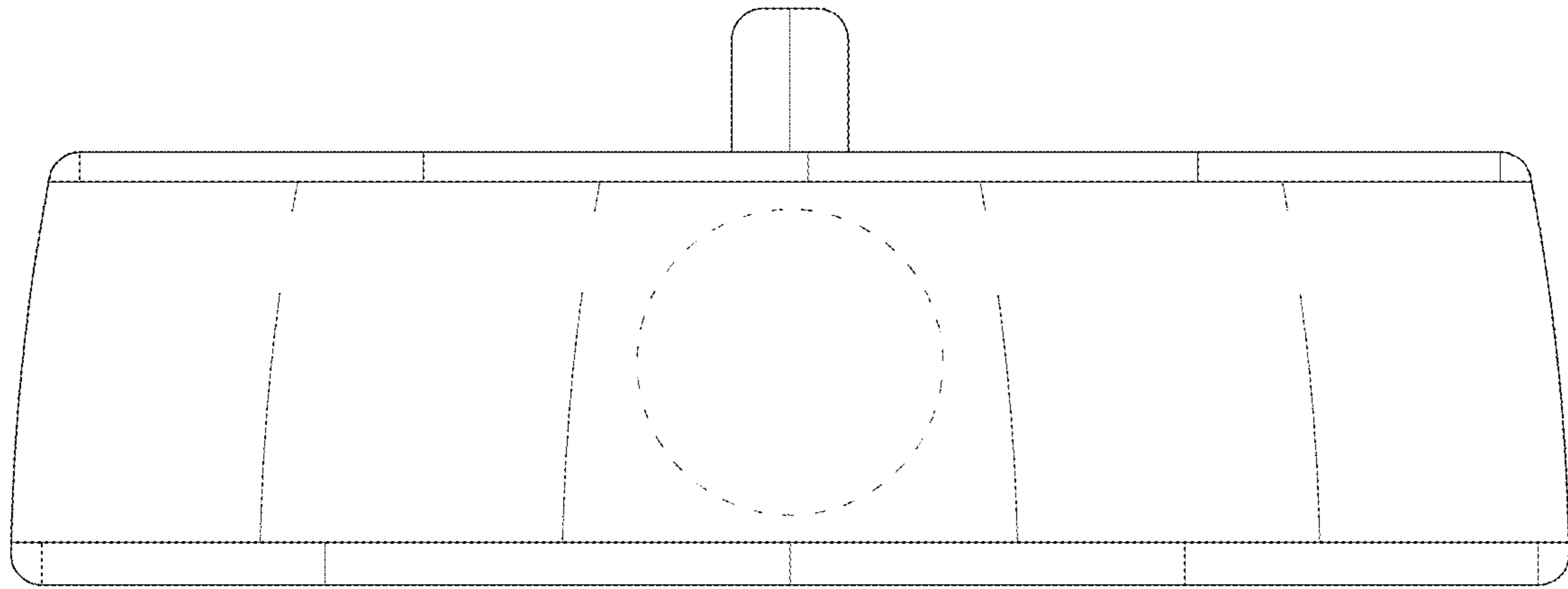


FIG. 4

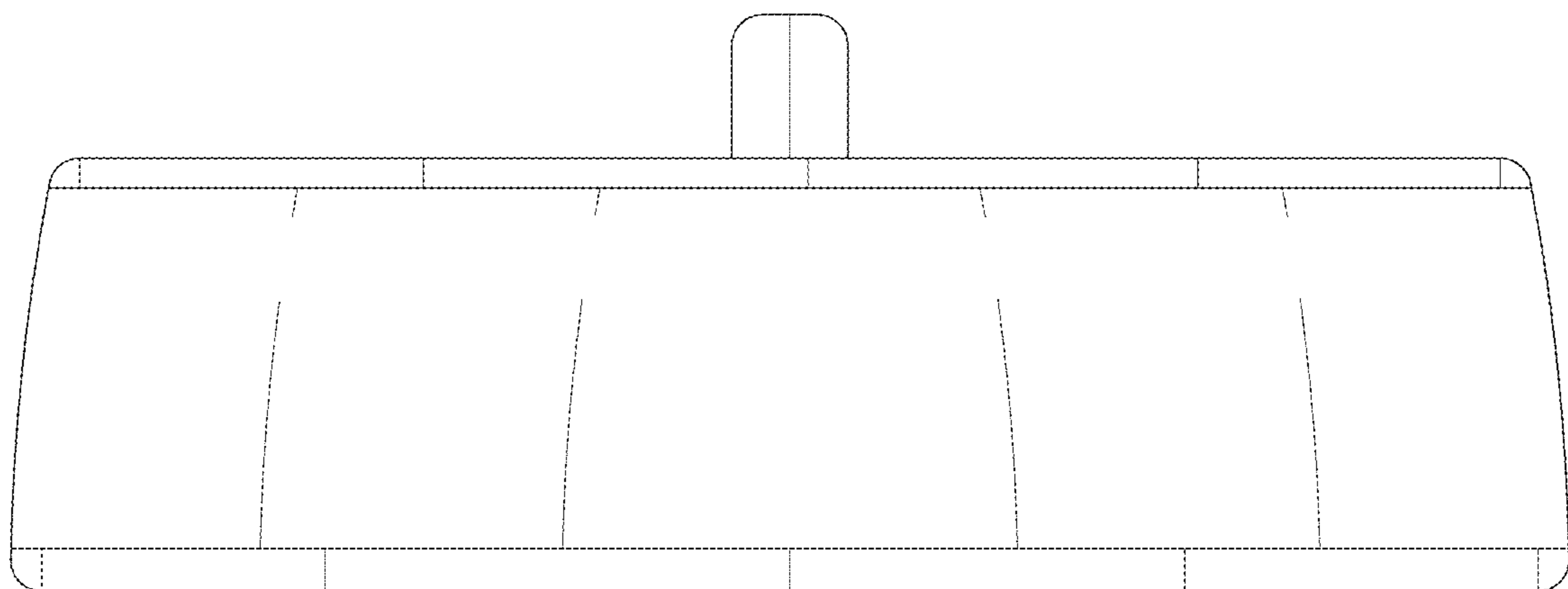


FIG. 5

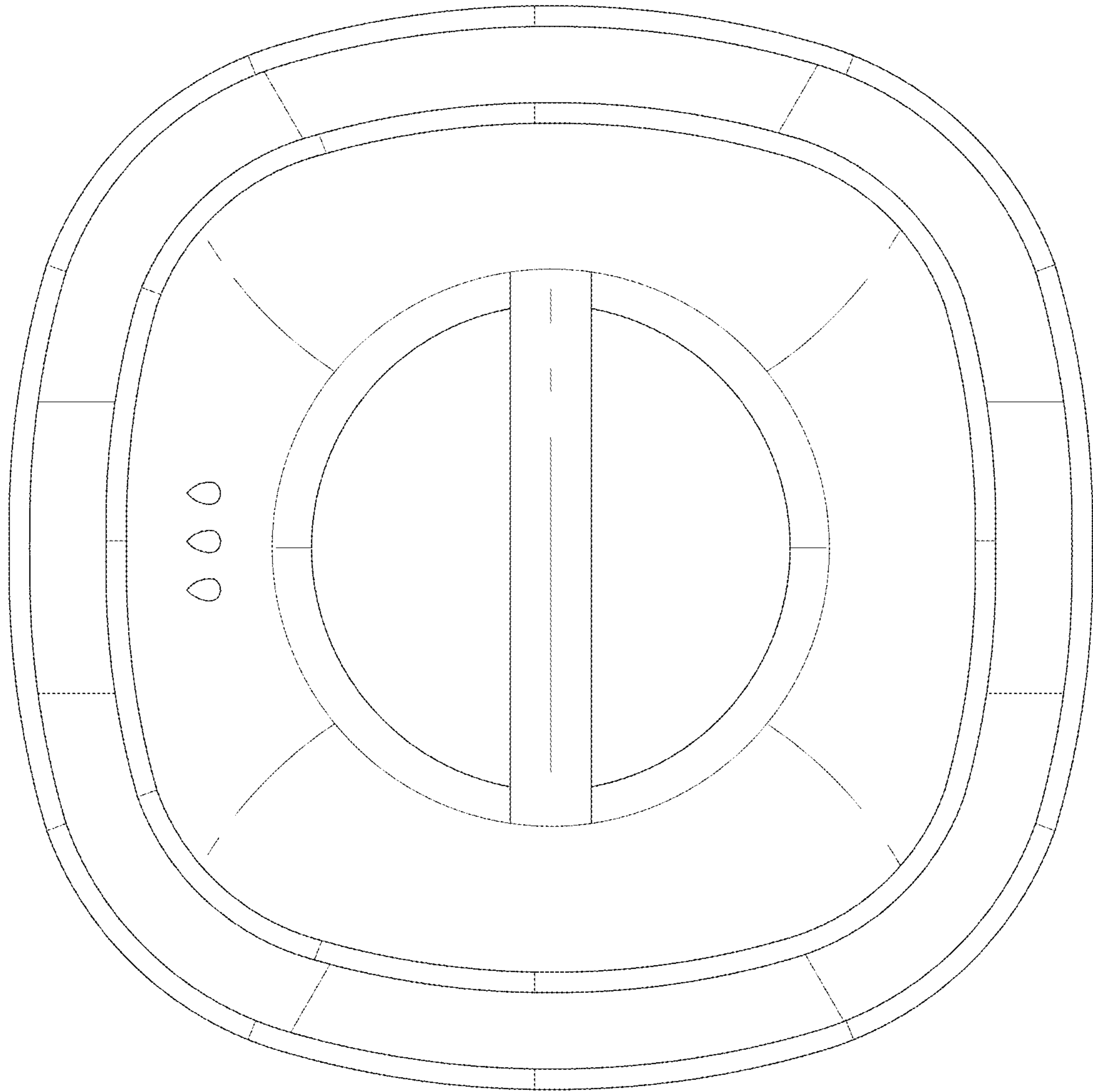


FIG. 6

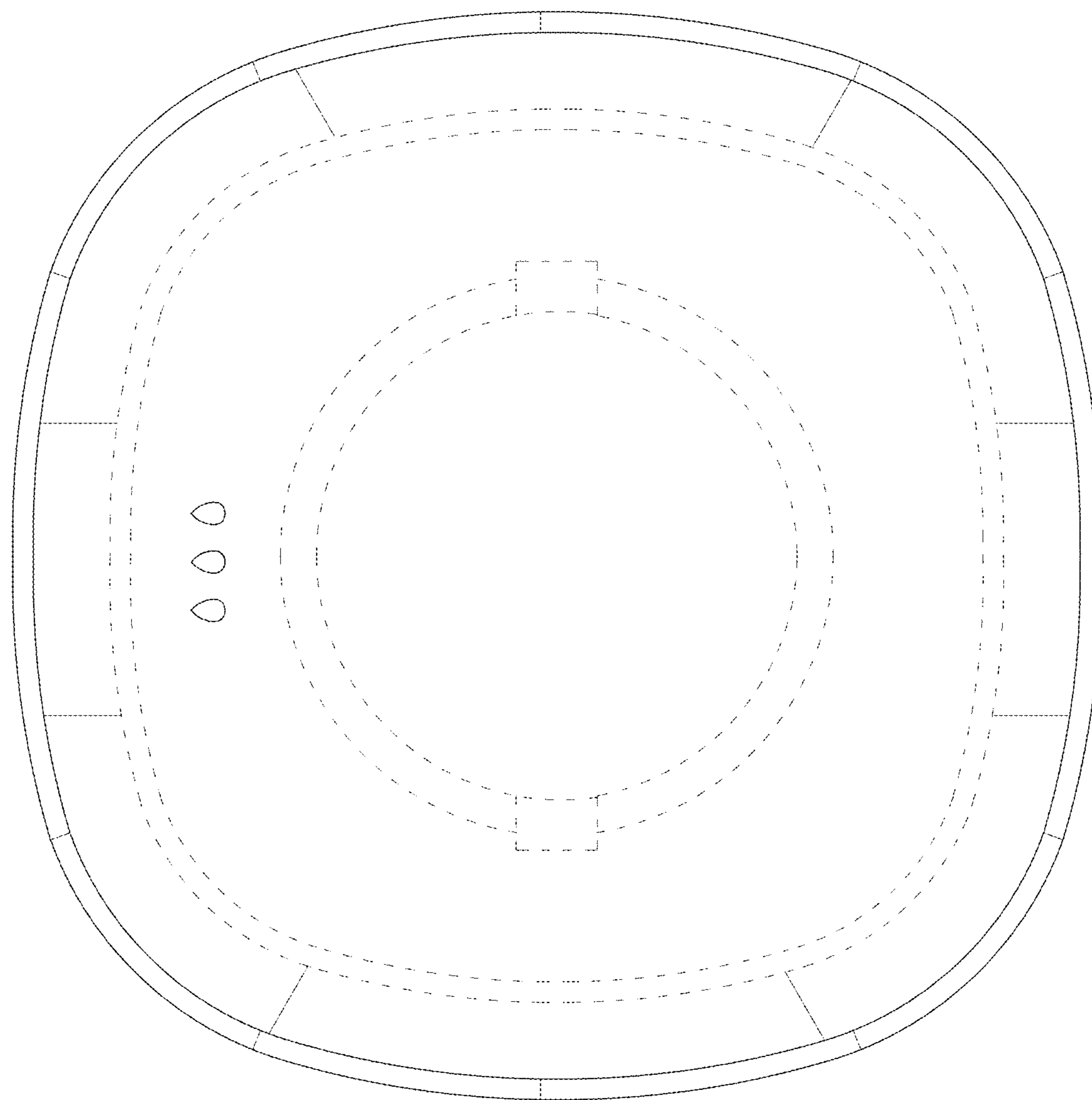


FIG. 7

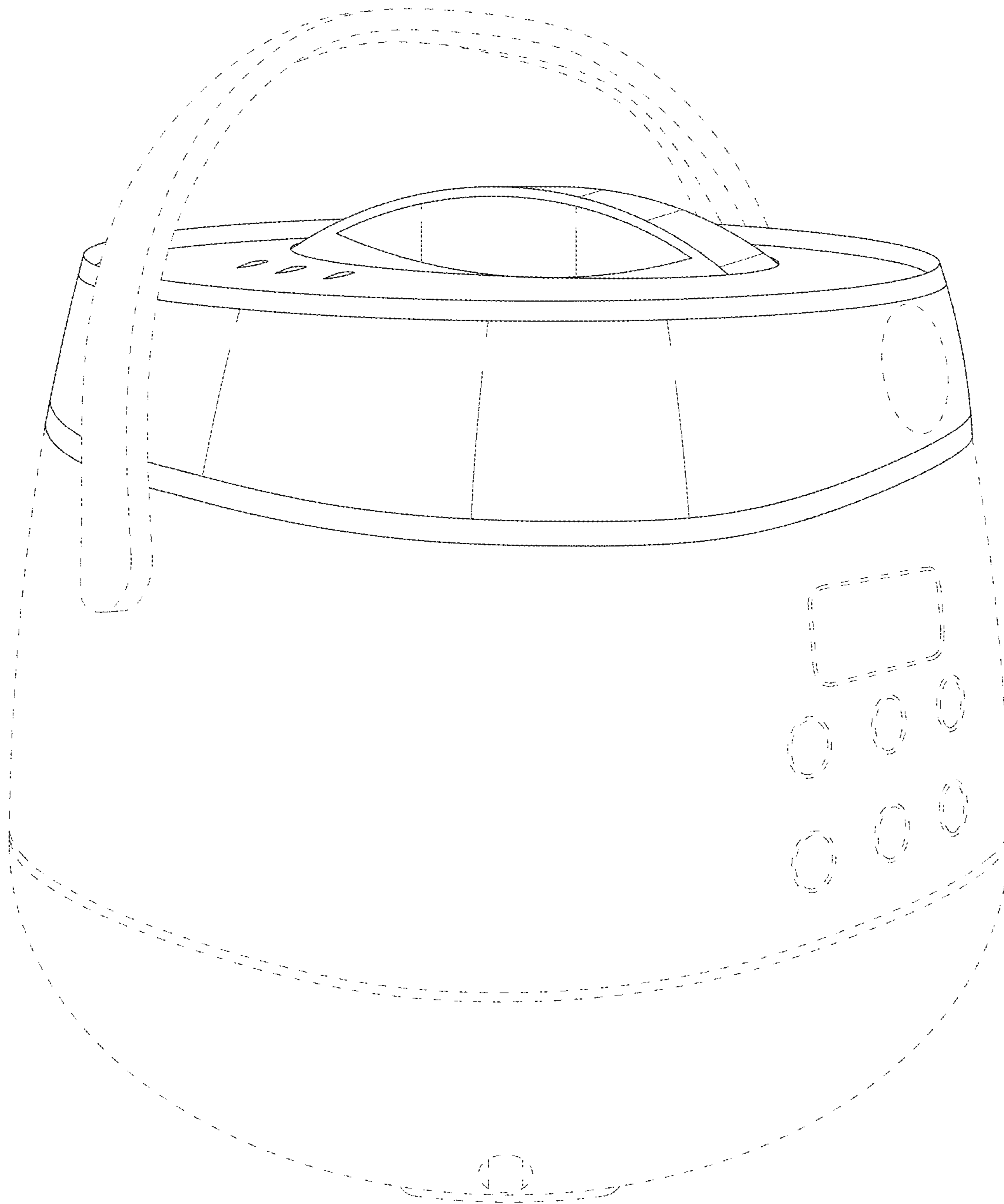


FIG. 8